



US00D594798S

(12) **United States Design Patent**
Okita

(10) **Patent No.:** **US D594,798 S**
(45) **Date of Patent:** **** Jun. 23, 2009**

(54) **METER GARNISH FOR AUTOMOBILE**

(75) Inventor: **Takuya Okita**, Wako (JP)

(73) Assignee: **Honda Motor Co., Ltd.**, Tokyo (JP)

(**) Term: **14 Years**

(21) Appl. No.: **29/300,393**

(22) Filed: **Mar. 20, 2008**

(30) **Foreign Application Priority Data**

Sep. 21, 2007 (JP) 2007-025625

(51) **LOC (9) Cl.** **12-16**

(52) **U.S. Cl.** **D12/192**

(58) **Field of Classification Search** D12/192,
D12/182, 186, 126, 107, 85-86, 3; 180/90;
296/192, 78.1, 70, 191; D10/98, 122-126,
D10/102-103; 116/62.1, 62.4; 73/866.3

See application file for complete search history.

(56) **References Cited**

U.S. PATENT DOCUMENTS

D240,295 S * 6/1976 Dixon D12/114
D528,055 S * 9/2006 Komiya et al. D12/192
D535,926 S * 1/2007 Anderson et al. D12/192
D571,700 S * 6/2008 Laurent et al. D12/192

D578,048 S * 10/2008 Wyszogrod D12/192
D582,326 S * 12/2008 Shimizu D12/192
D582,823 S * 12/2008 Longpre et al. D12/192
D585,000 S * 1/2009 Shimokawa et al. D12/110

* cited by examiner

Primary Examiner—Caron Veynar

Assistant Examiner—Abraham Bahta

(74) *Attorney, Agent, or Firm*—Birch, Stewart, Kolasch & Birch, LLP

(57) **CLAIM**

The ornamental design for a meter garnish for automobile, as shown and described.

DESCRIPTION

FIG. 1 is a front left perspective view of the meter garnish for automobile showing my new design;

FIG. 2 is right front perspective view thereof;

FIG. 3 is a front elevation view thereof.

FIG. 4 is a top plan view thereof.

FIG. 5 is a left side elevation view thereof; and,

FIG. 6 is a right side elevation view thereof.

The portion of the article shown in broken lines is for illustrative purpose only and forms no part of the claimed design.

1 Claim, 6 Drawing Sheets

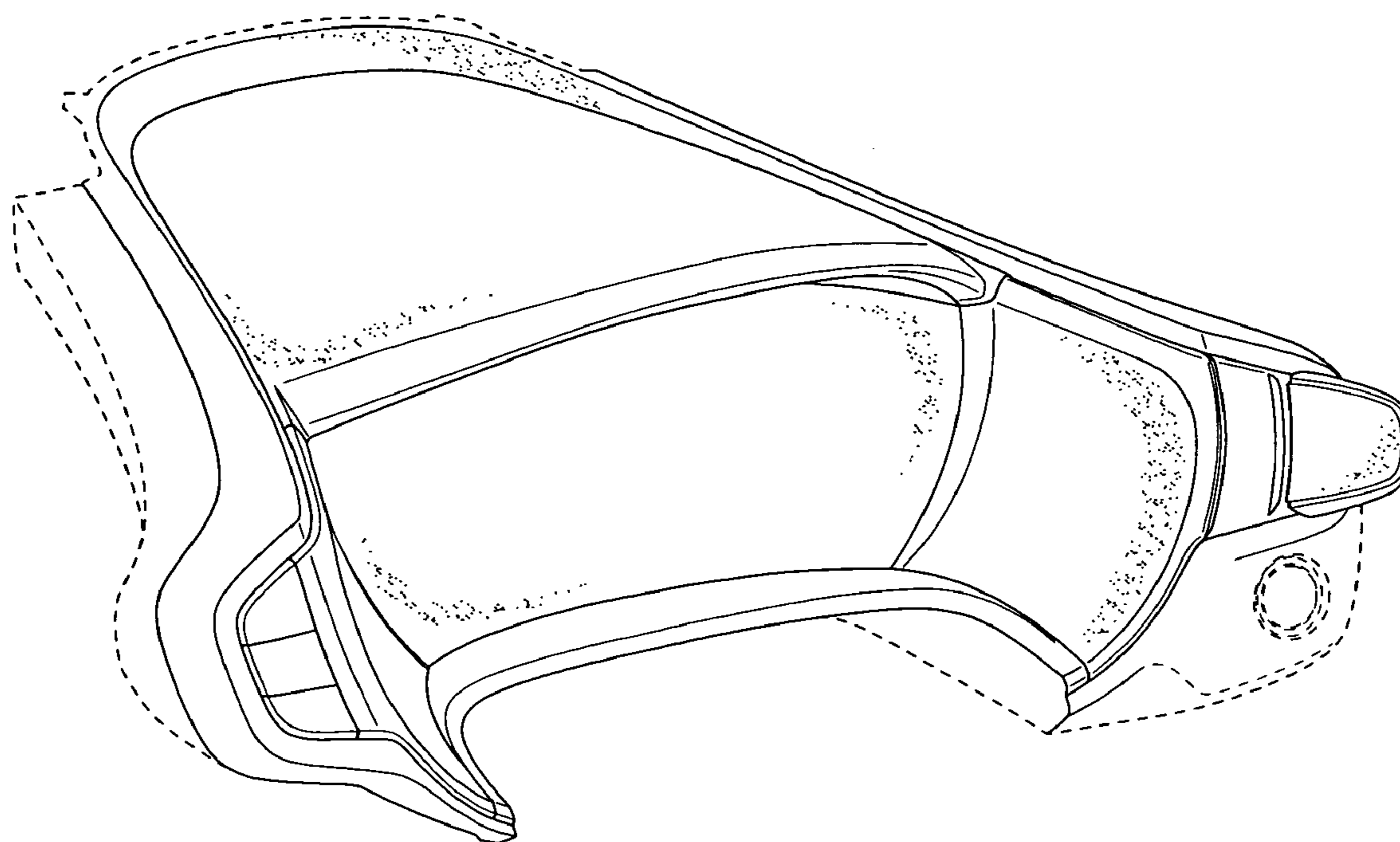


FIG. 1

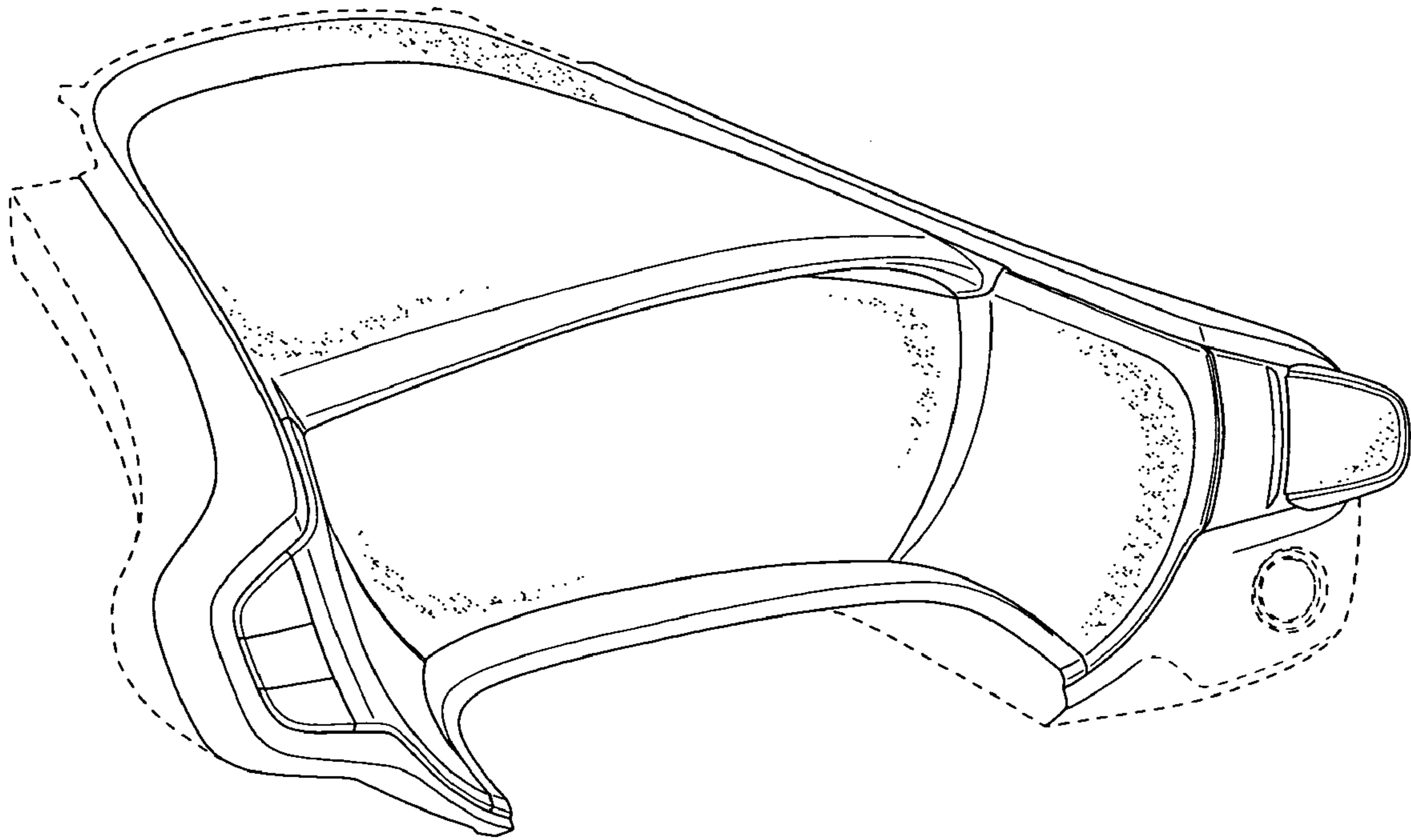


FIG. 2

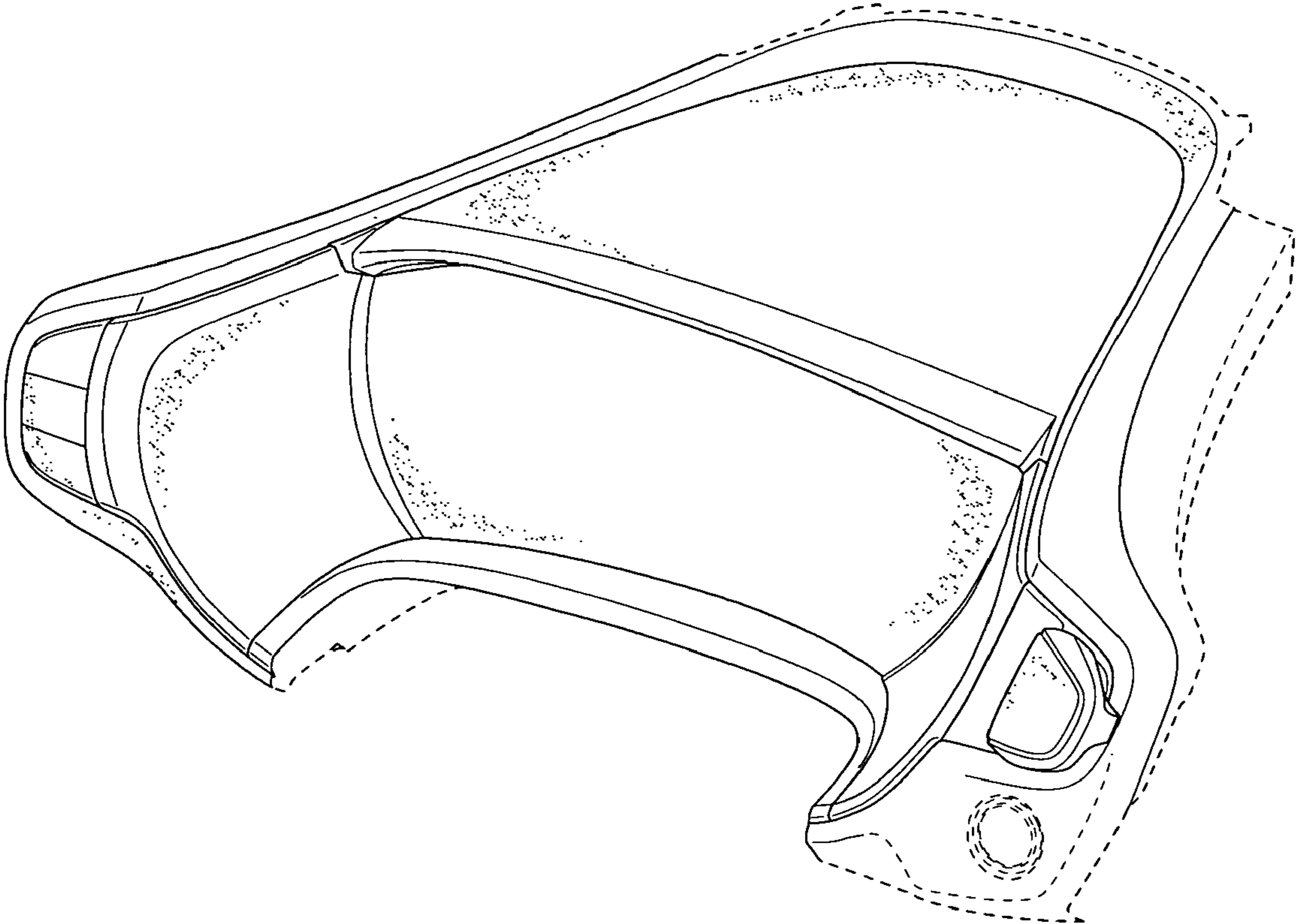


FIG. 3

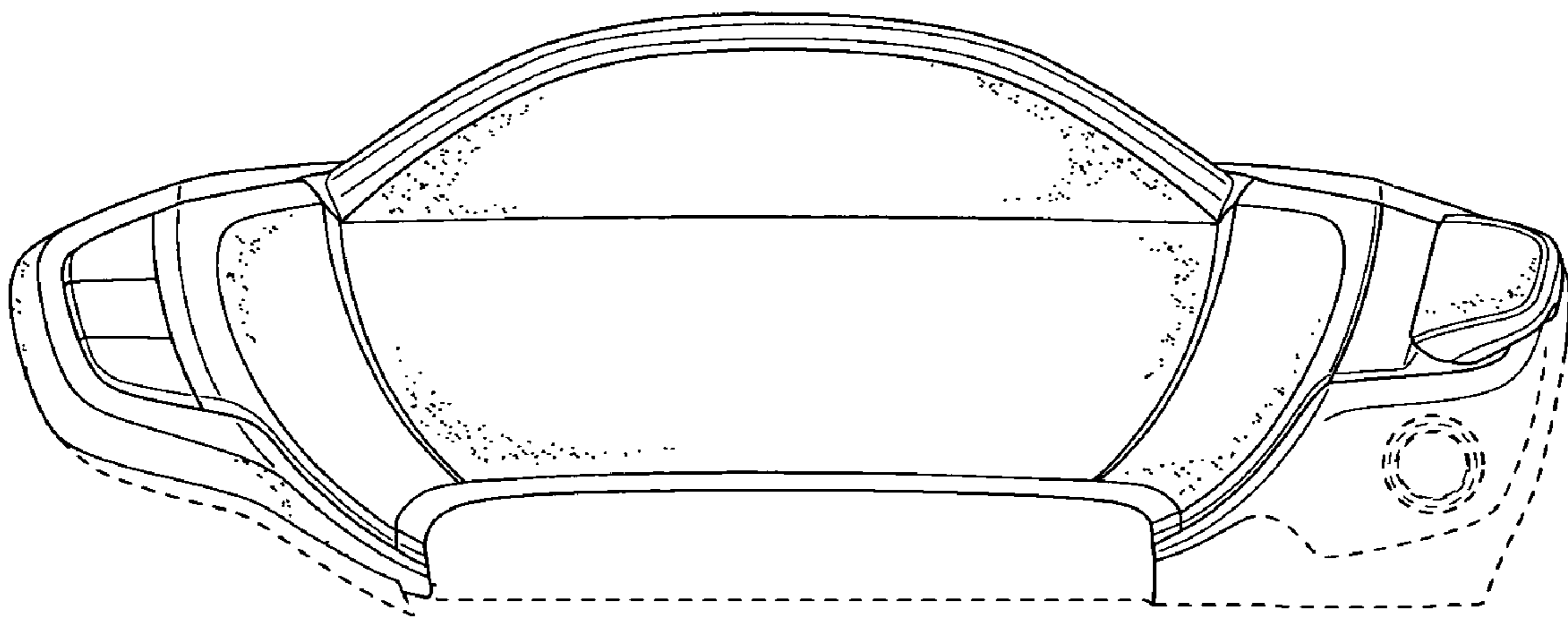


FIG. 4

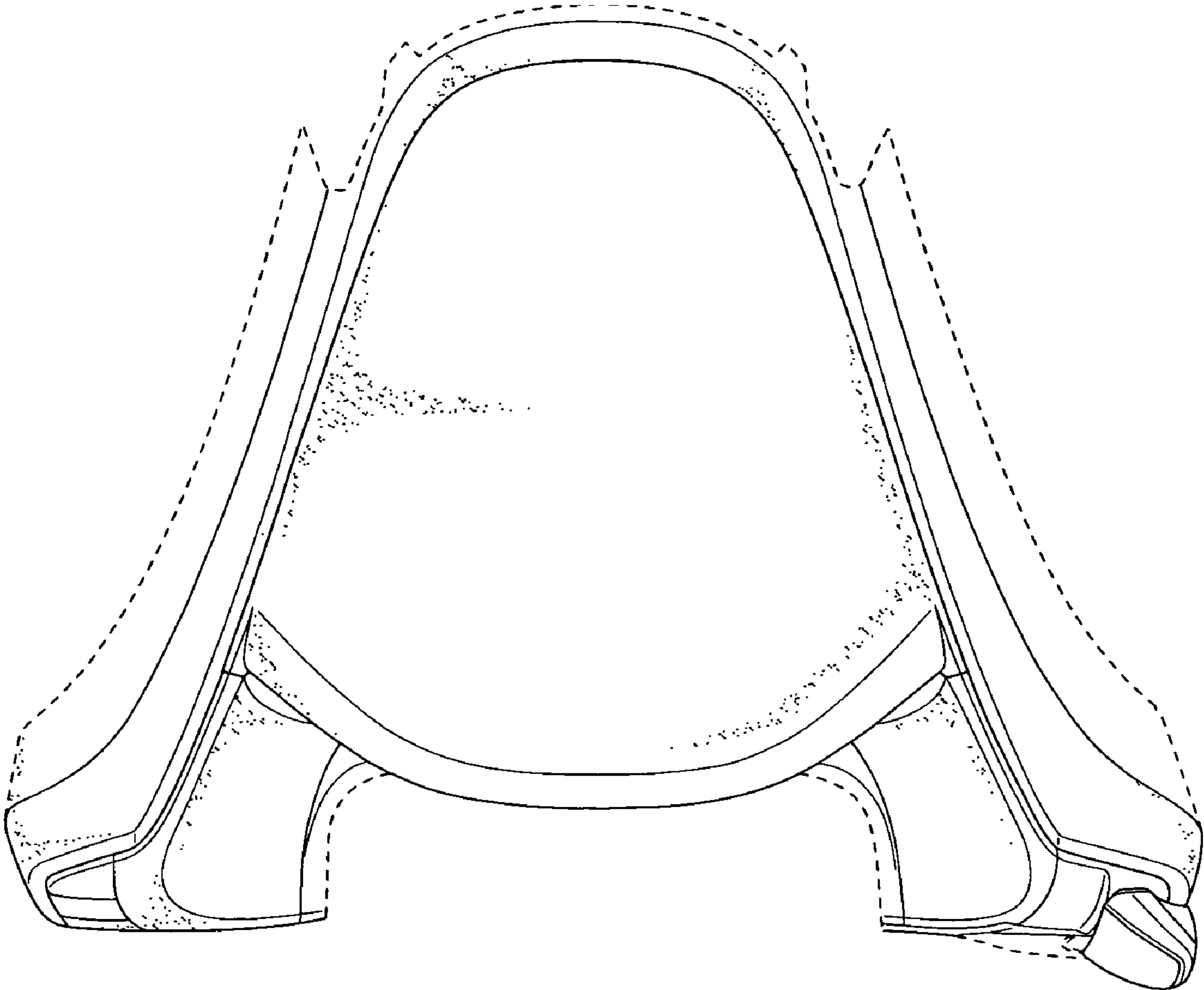


FIG. 5

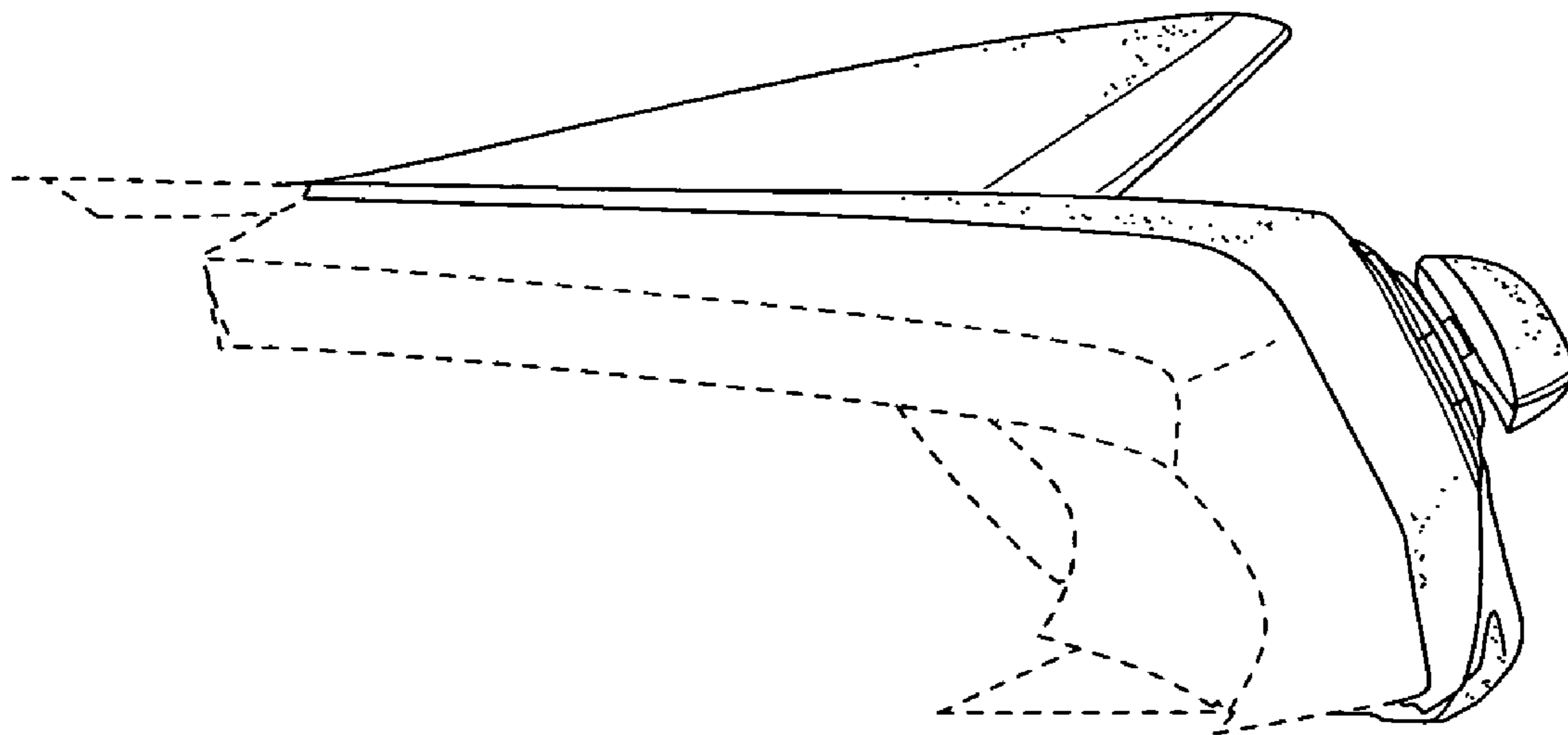


FIG. 6

