

US00D594796S

(12) **United States Design Patent**
Ballard et al.

(10) **Patent No.:** **US D594,796 S**
(45) **Date of Patent:** **** Jun. 23, 2009**

(54) **GEAR SHIFTER**

(75) Inventors: **Claudio R. Ballard**, 16 W. Neck Ct.,
Huntington, NY (US) 11743; **Gary**
Fulkerson, White Lake, MI (US)

(73) Assignee: **Claudio R. Ballard**, Huntington, NY
(US)

(**) Term: **14 Years**

(21) Appl. No.: **29/304,797**

(22) Filed: **Mar. 7, 2008**

(51) **LOC (9) Cl.** **12-16**

(52) **U.S. Cl.** **D12/179**

(58) **Field of Classification Search** D12/179,
D12/174, 400, 415, 195, 392.1, 354; 441/136;
D21/566, 561; 74/473.23, 480 B, 538, 543;
434/71; 446/7, 430; 477/113; D30/121;
165/47; D9/452, 455

See application file for complete search history.

(56) **References Cited**

U.S. PATENT DOCUMENTS

2,496,700 A * 2/1950 Cole 74/543
2,786,359 A * 3/1957 Karlan et al. 403/50
2,801,118 A * 7/1957 Amesbury 403/25

3,279,834 A * 10/1966 Budzynski 403/51
3,831,209 A * 8/1974 Clingman 441/136
4,807,490 A * 2/1989 Foggini 74/543
D471,139 S * 3/2003 Wyszogrod et al. D12/179
6,718,842 B1 * 4/2004 Bofias 74/473.33
D559,159 S * 1/2008 Kazyaka D12/179
D574,661 S * 8/2008 Logan D7/354
D575,581 S * 8/2008 Harris D7/396.6
D581,843 S * 12/2008 Kluck D12/179

* cited by examiner

Primary Examiner—Philip S Hyder

Assistant Examiner—Cynthia Underwood

(74) *Attorney, Agent, or Firm*—Howison & Arnott, L.L.P.

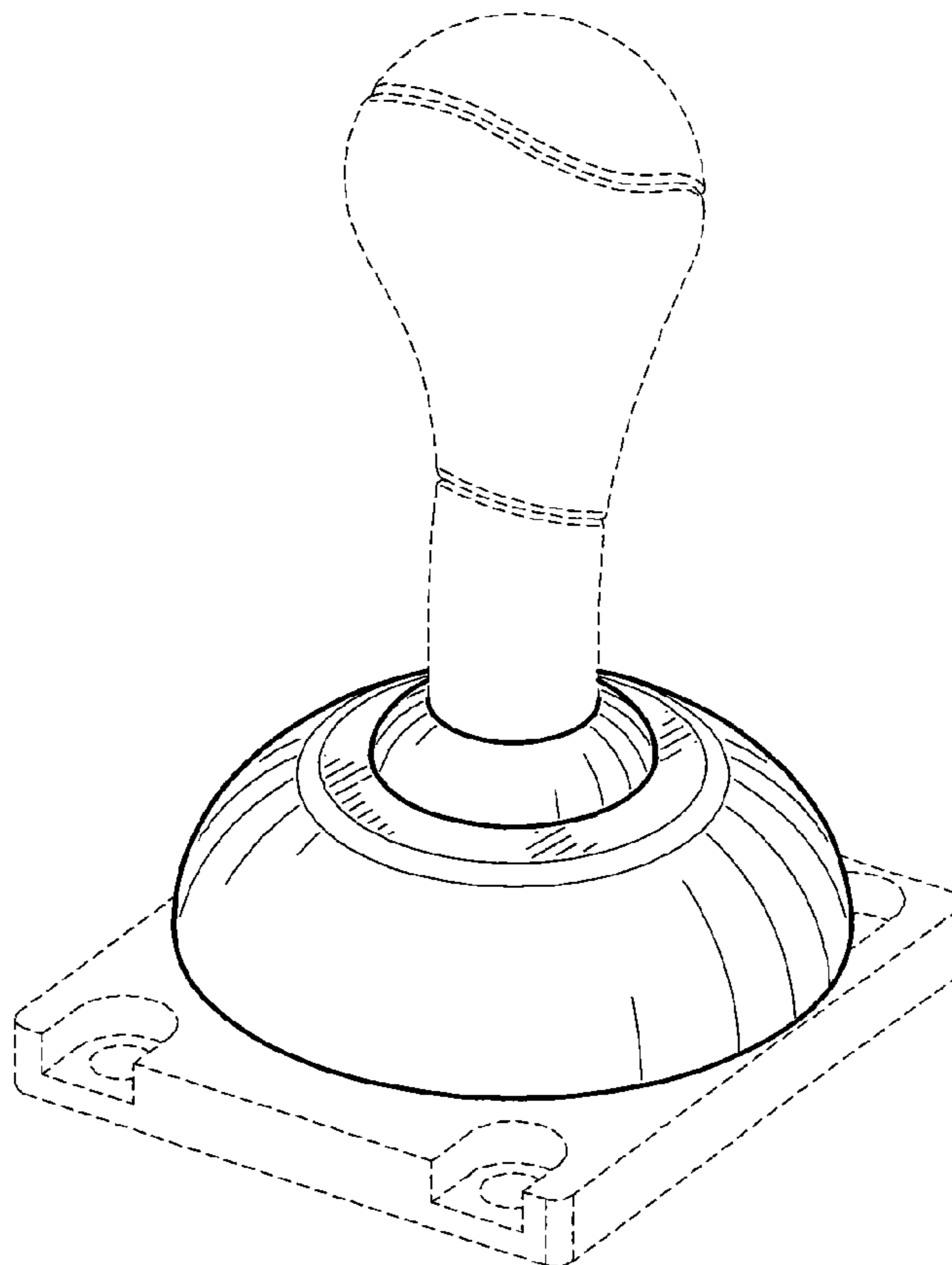
(57) **CLAIM**

The ornamental design for a gear shifter, as shown in the figures.

DESCRIPTION

FIG. 1 is a perspective view of a gear shifter of the design;
FIG. 2 is a back view thereof;
FIG. 3 is a right side view thereof;
FIG. 4 is a front view thereof;
FIG. 5 is a left side view thereof; and,
FIG. 6 is a top view thereof.

1 Claim, 3 Drawing Sheets



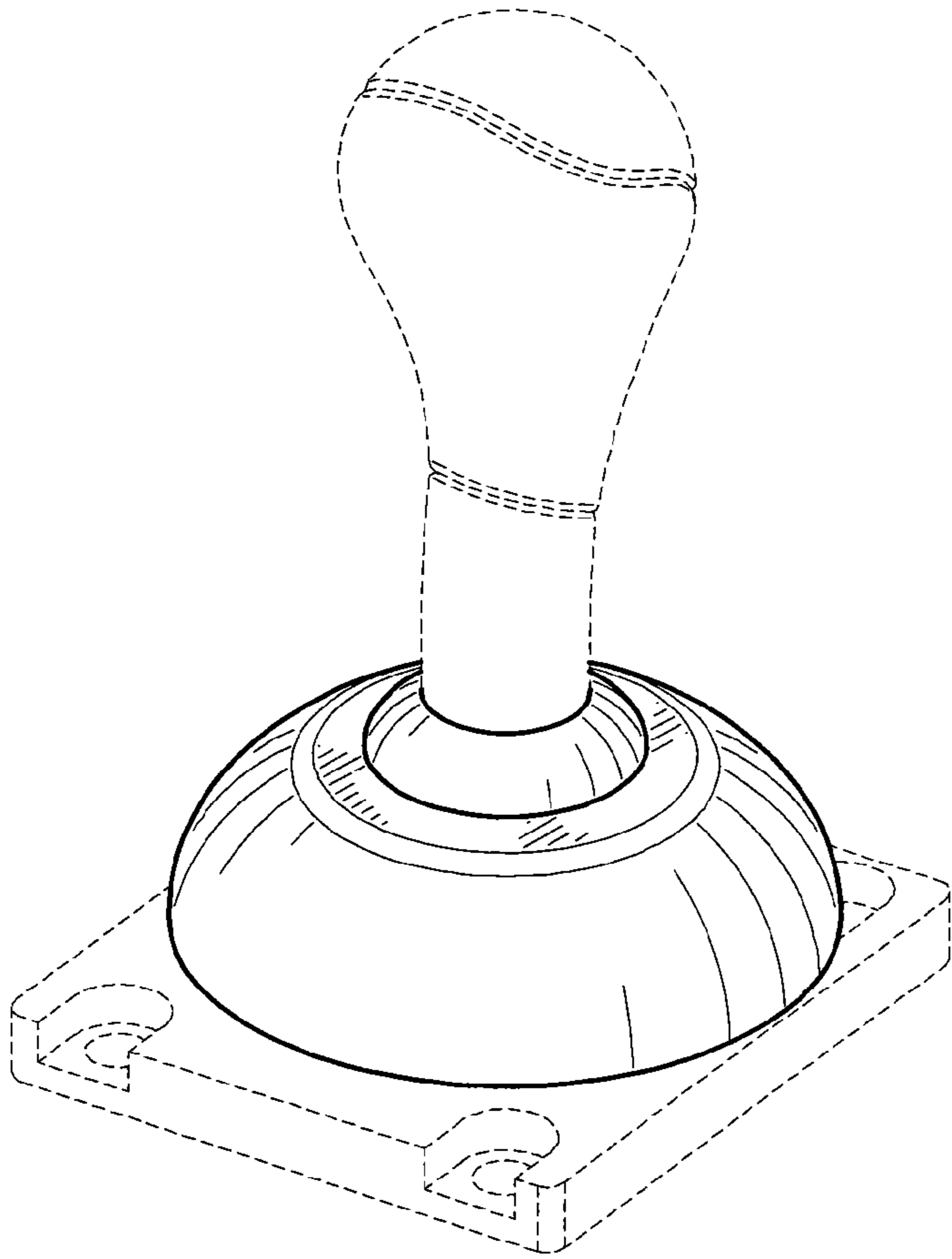


FIG. 1

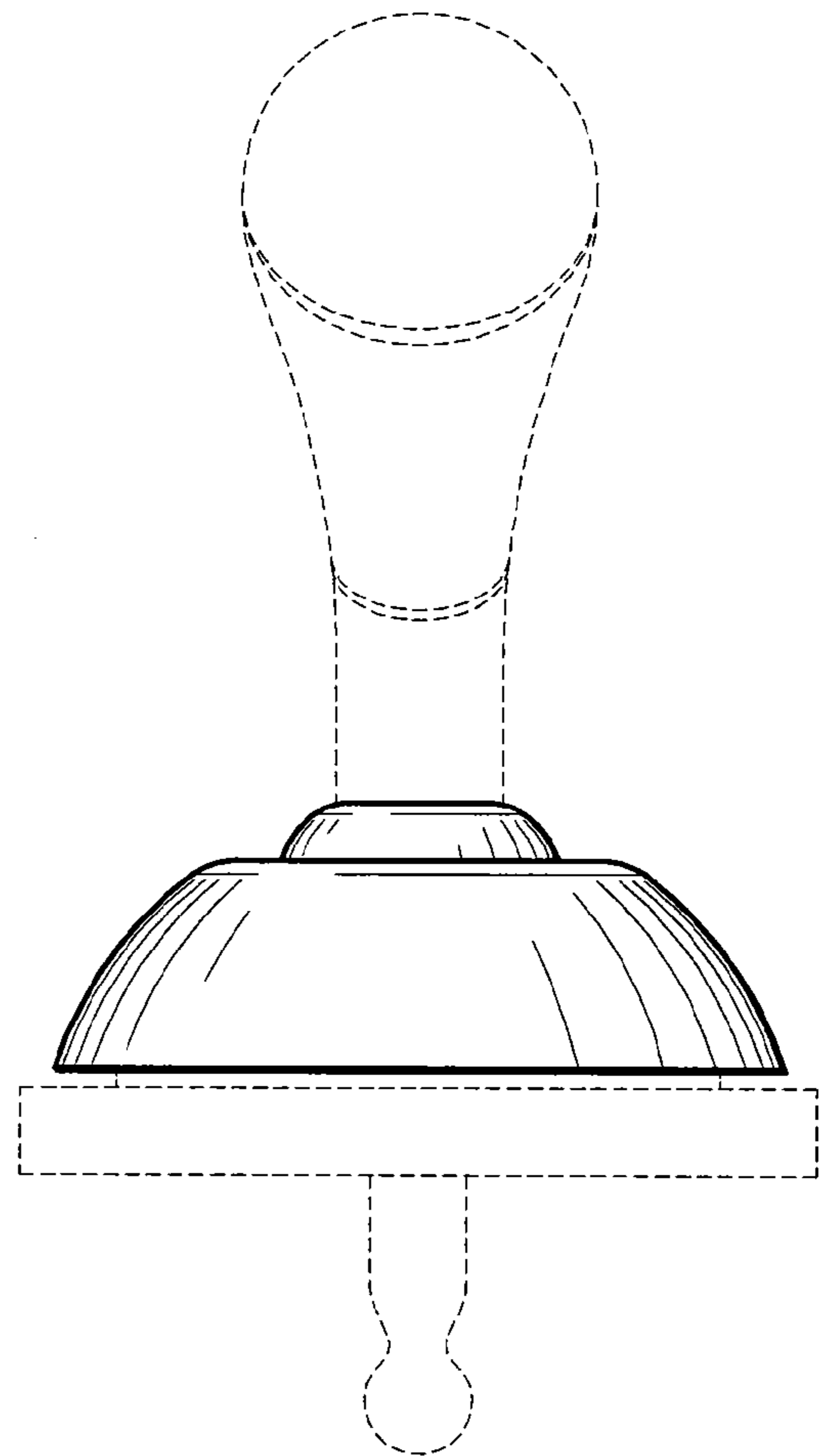


FIG. 2

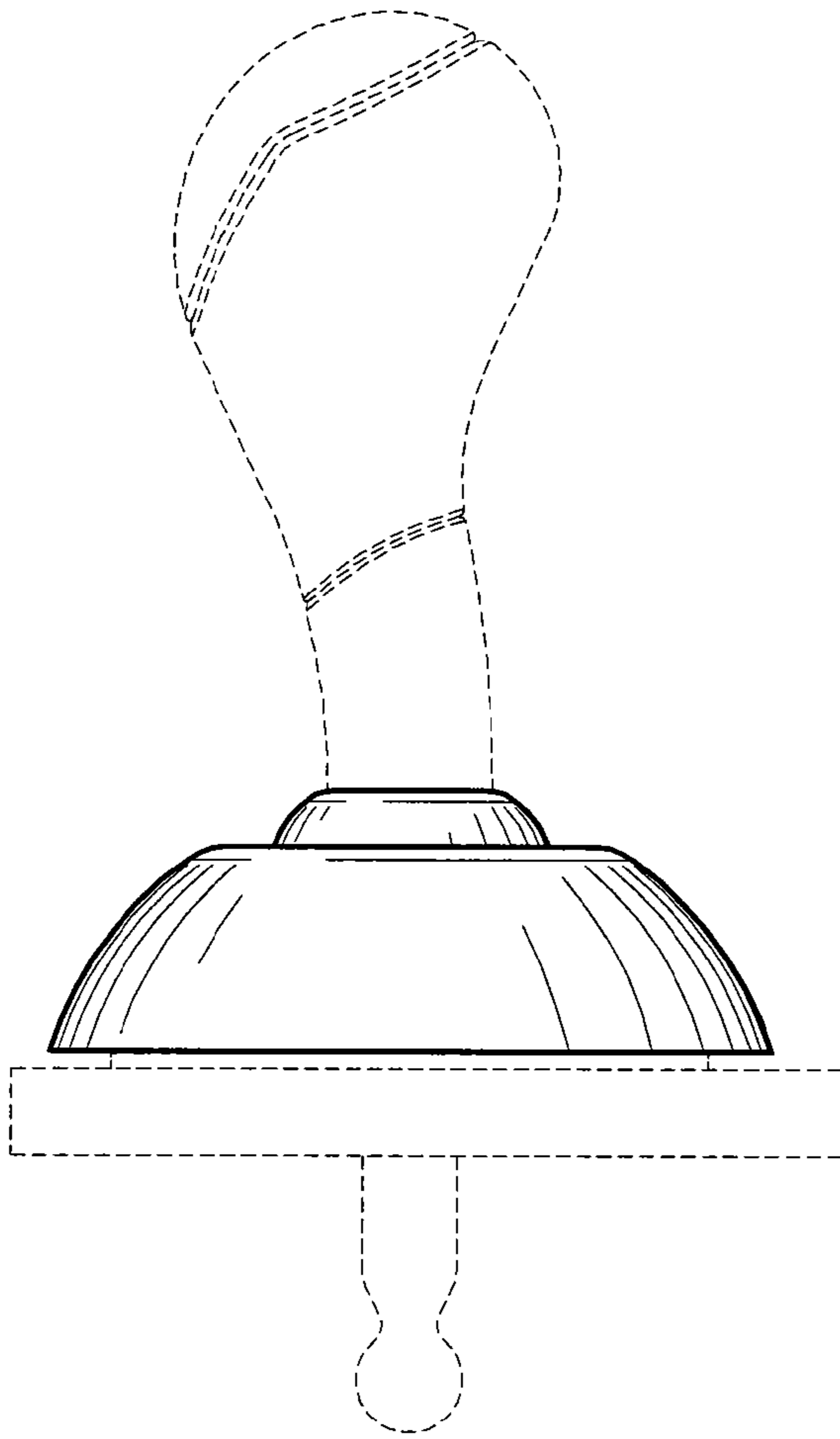


FIG. 3

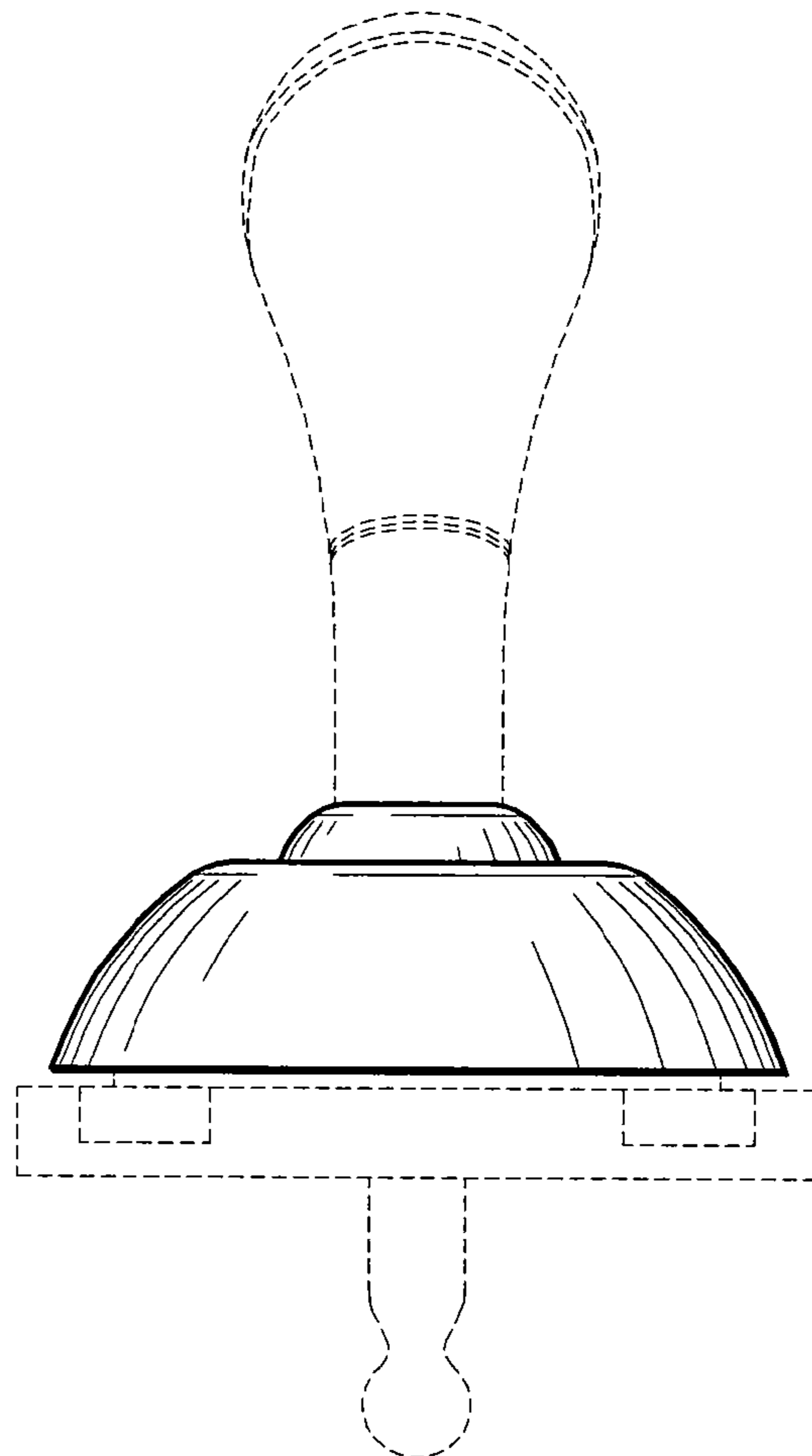


FIG. 4

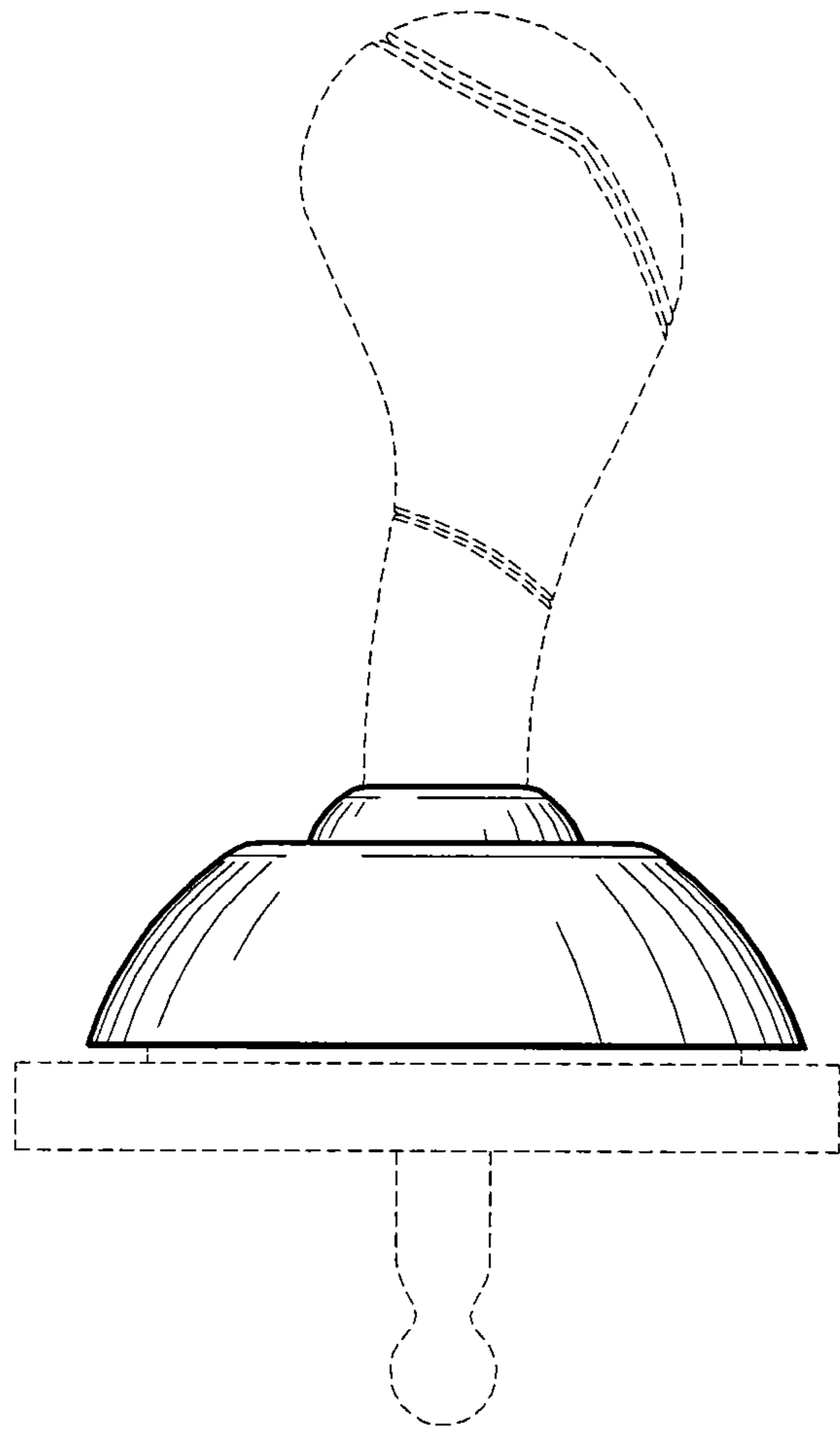


FIG. 5

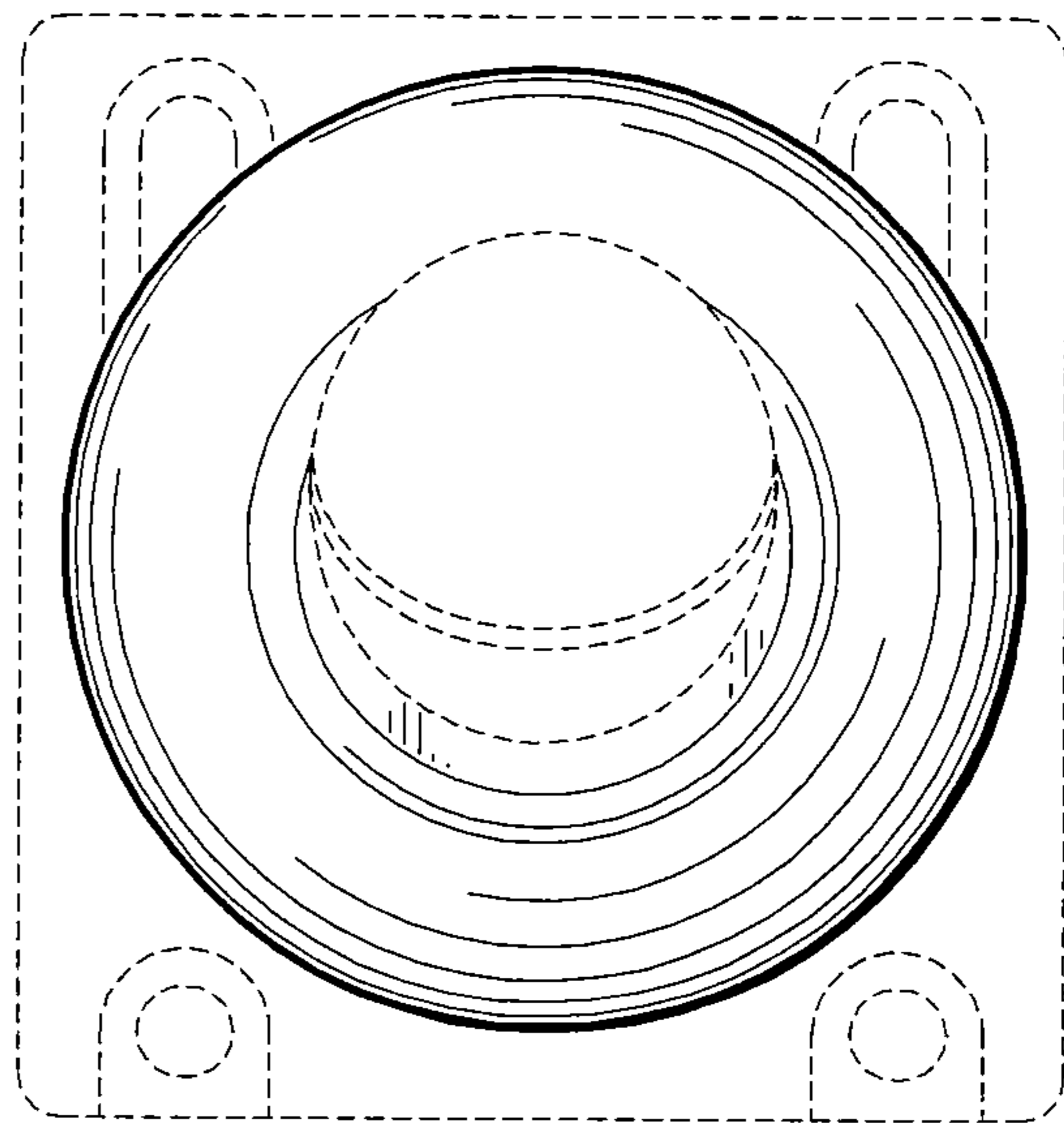


FIG. 6