

US00D594795S

(12) **United States Design Patent**  
**Platto et al.**

(10) **Patent No.:** **US D594,795 S**  
(45) **Date of Patent:** **\*\* Jun. 23, 2009**

(54) **VEHICLE HOOD**

(75) Inventors: **Gordon Platto**, Troy, MI (US); **Xitij Mistry**, Ann Arbor, MI (US); **Aram Kasparian**, Canton, MI (US); **Patrick Schiavone**, Bloomfield Village, MI (US)

(73) Assignee: **Ford Motor Company**, Dearborn, MI (US)

(\*\*) Term: **14 Years**

(21) Appl. No.: **29/302,109**

(22) Filed: **Jan. 10, 2008**

(51) **LOC (9) Cl.** ..... **12-16**

(52) **U.S. Cl.** ..... **D12/173**

(58) **Field of Classification Search** ..... D12/169,  
D12/163, 167, 400, 90-92, 86, 196; 296/193.1,  
296/181.1, 24.2; 293/102, 113, 115, 117,  
293/120; 180/69.21, 69.2

See application file for complete search history.

(56) **References Cited**

**U.S. PATENT DOCUMENTS**

D188,842 S *	9/1960	Dickerson	.....	D12/163
D374,202 S *	10/1996	Nagashima	.....	D12/173
D391,540 S *	3/1998	Horbury	.....	D12/173
D410,219 S *	5/1999	Bangle	.....	D12/163
D525,912 S *	8/2006	Perkins	.....	D12/92
D532,728 S *	11/2006	Schiavone et al.	.....	D12/173
D533,119 S	12/2006	Schiavone et al.		
D533,121 S *	12/2006	Konaka	.....	D12/173
D541,198 S *	4/2007	Levy	.....	D12/173
D543,899 S *	6/2007	Nicholas et al.	.....	D12/92
D545,728 S *	7/2007	Golden et al.	.....	D12/163
D545,729 S *	7/2007	Lee et al.	.....	D12/163
D559,747 S *	1/2008	Platto et al.	.....	D12/173
D560,566 S *	1/2008	Aris et al.	.....	D12/163
D560,577 S *	1/2008	Okamoto et al.	.....	D12/173

D561,653 S *	2/2008	Platto et al.	.....	D12/163
D562,193 S	2/2008	Platto et al.		
D568,213 S *	5/2008	Platto et al.	.....	D12/92
D569,316 S *	5/2008	Spearman-Oxx et al.	...	D12/173
D569,767 S *	5/2008	Abe et al.	.....	D12/91
D570,753 S *	6/2008	Sato et al.	.....	D12/173

**OTHER PUBLICATIONS**

Pund, Daniel, "The Bold and the Brutiful: Ford designs another rear-drive sport sedan concept," Edmunds.com website article, located at <http://www.edmunds.com/insideline/do/Features/articleId=118988>; 4 pages; Dec. 30, 2006.

Thomas, David, "2007 Detroit Auto Show: Lincoln MKR Concept", Cars.com website article, located at [http://blogs.cars.com/kickingtires/2006/12/2007\\_detroit\\_au.html](http://blogs.cars.com/kickingtires/2006/12/2007_detroit_au.html); 5 pages; Dec. 31, 2006.

\* cited by examiner

*Primary Examiner*—Robert M. Spear

*Assistant Examiner*—Cynthia Underwood

(74) *Attorney, Agent, or Firm*—Frank A. MacKenzie; Brooks Kushman P.C.

(57) **CLAIM**

The ornamental design for a vehicle hood, as shown and described.

**DESCRIPTION**

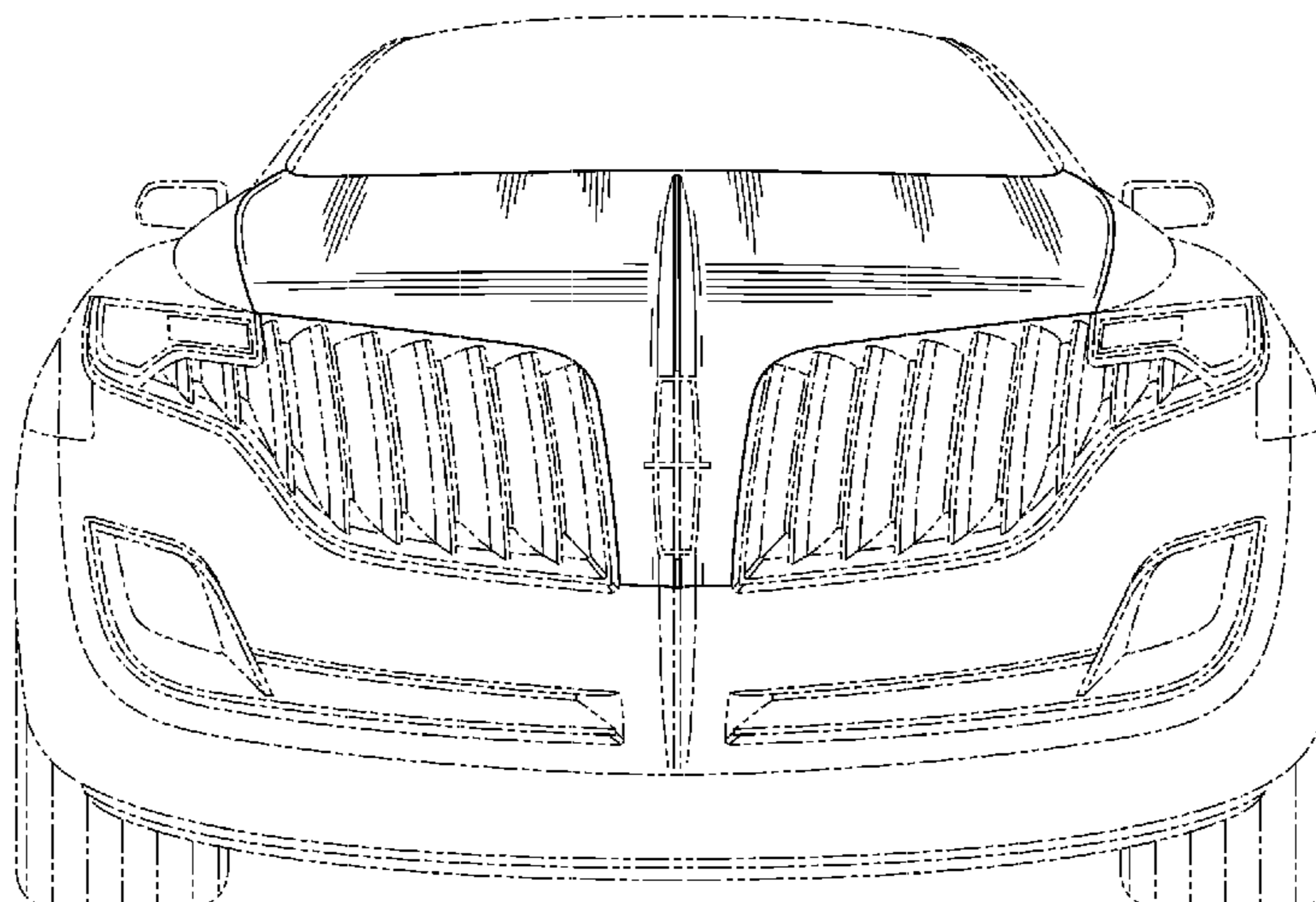
FIG. 1 is a front view of a vehicle hood in accordance with the present invention;

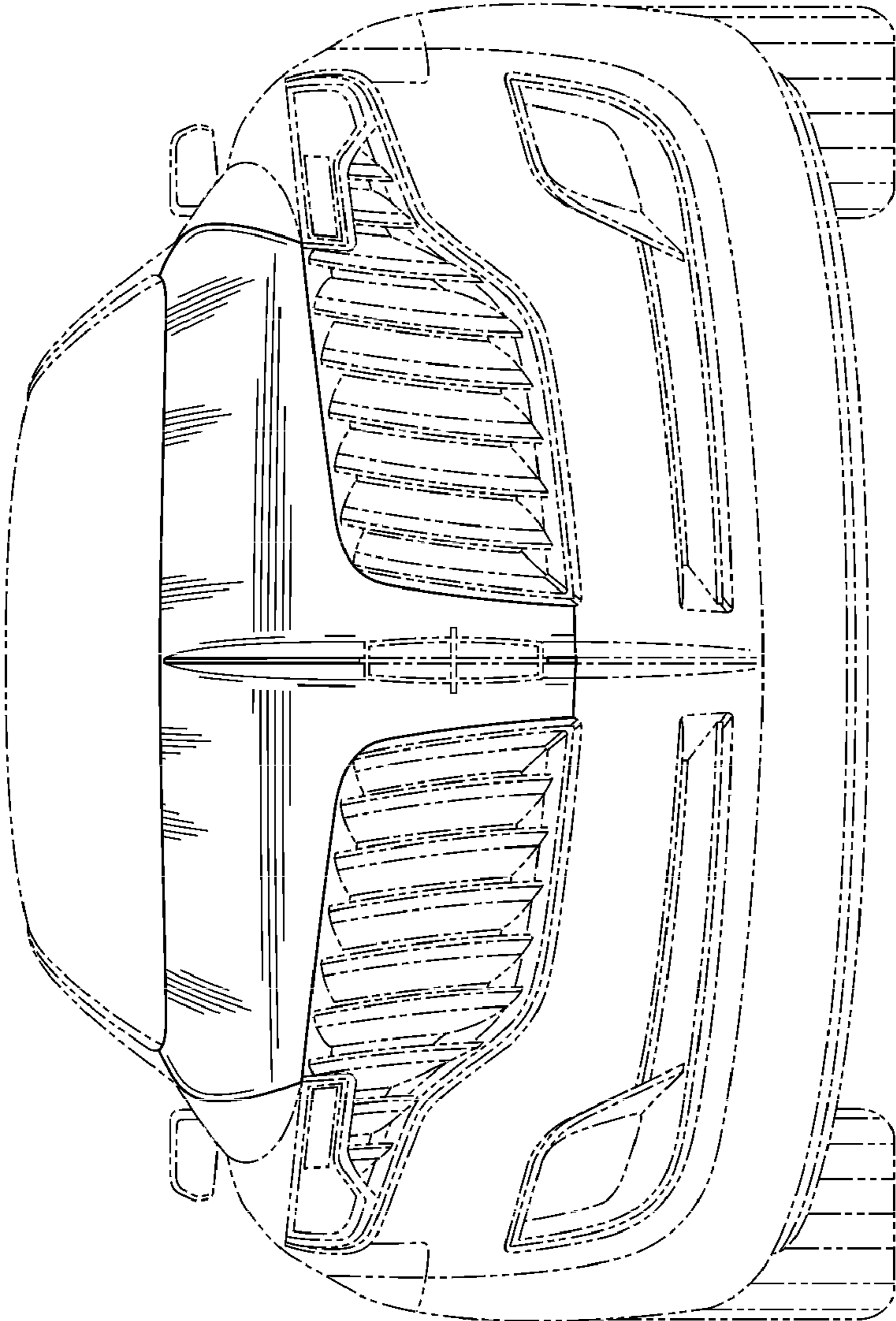
FIG. 2 is a left side perspective view of the vehicle hood of FIG. 1, wherein a right side perspective view is a mirror image thereof; and,

FIG. 3 is a top plan view of the vehicle hood of FIG. 1.

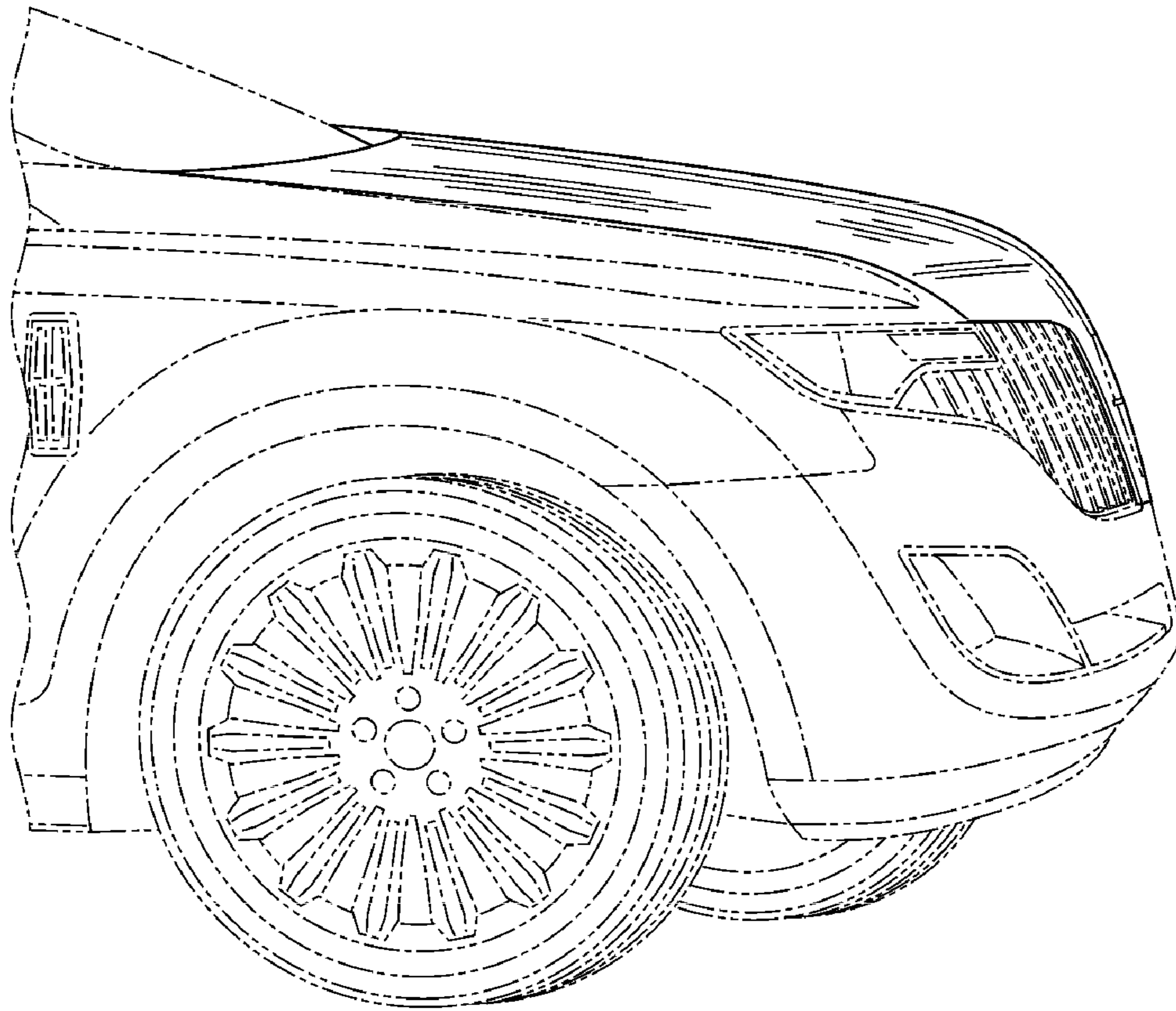
The broken lines showing logos, vehicle body, vehicle wheels and light assemblies are included for the purpose of illustrating environment and forms no part of the claimed design.

**1 Claim, 3 Drawing Sheets**

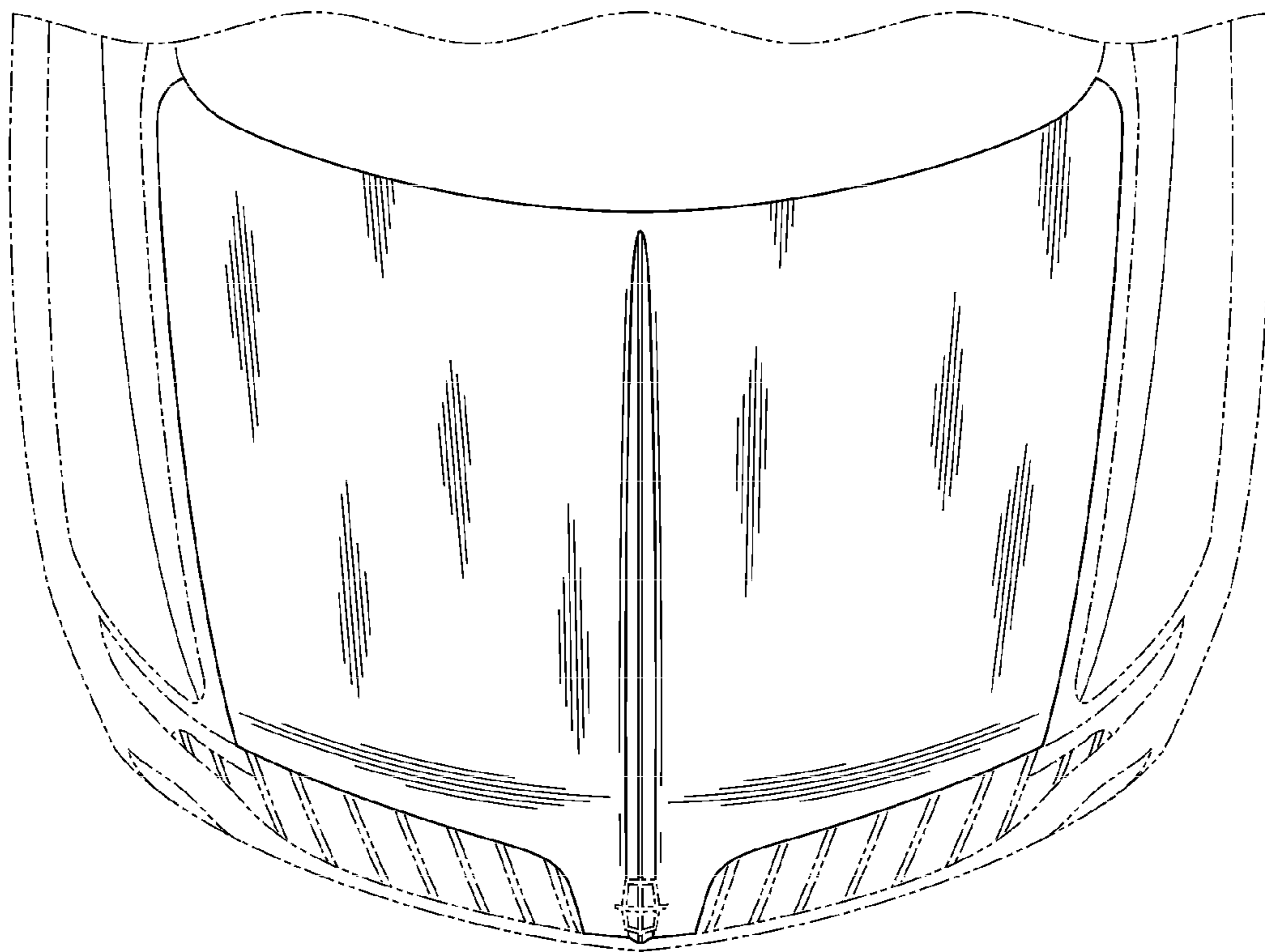




*Fig. 1*



*Fig. 2*



*Fig. 3*