



(12) **United States Design Patent**
Shimodaira et al.

(10) **Patent No.:** **US D594,792 S**
(45) **Date of Patent:** **** Jun. 23, 2009**

(54) **ROLLING WALKER**

(75) Inventors: **Chihiro Shimodaira**, Nagano (JP);
Taketo Yamamoto, Tokyo (JP); **Otohiko Tatebe**, Kamakura (JP)

(73) Assignee: **Takano Co., Ltd.**, Nagano (JP)

(**) Term: **14 Years**

(21) Appl. No.: **29/295,180**

(22) Filed: **Sep. 21, 2007**

(30) **Foreign Application Priority Data**

Mar. 27, 2007 (JP) 2007-007783

(51) **LOC (9) Cl.** **12-12**

(52) **U.S. Cl.** **D12/130; D21/423**

(58) **Field of Classification Search** D12/128-133;
280/62, 647-650, 29, 200, 47.28, 35, 250.1,
280/259, 642, 658; 296/65.03, 65.04; 135/65-67,
135/74; D21/419, 421, 423, 743, 765, 477
See application file for complete search history.

(56) **References Cited**

U.S. PATENT DOCUMENTS

4,087,106 A * 5/1978 Winchell 280/14.28

(Continued)

Primary Examiner—Charles A Rademaker

Assistant Examiner—Charles D Hanson

(74) *Attorney, Agent, or Firm*—Notaro & Michalos P.C.

(57) **CLAIM**

The ornamental design for a rolling walker, as shown and described.

DESCRIPTION

FIG. 1 is a front elevational view of a rolling walker, showing our new design;

FIG. 2 is a rear elevational view thereof;

FIG. 3 is a right side elevational view thereof;

FIG. 4 is a top plan view thereof;

FIG. 5 is a bottom plan view thereof;

FIG. 6 is a front elevation view thereof with handle fully extended;

FIG. 7 is a rear elevation view thereof;

FIG. 8 is a right side elevation view thereof;

FIG. 9 is a top plan thereof;

FIG. 10 is a bottom plan view thereof;

FIG. 11 is a front elevation view thereof, with handle retracted;

FIG. 12 is a rear elevation view thereof;

FIG. 13 is a right side elevation view thereof;

FIG. 14 is a top plan view thereof;

FIG. 15 is a bottom plan view thereof;

FIG. 16 is a front elevation view thereof, with handle fully extended and the seat in a lowered position;

FIG. 17 is a rear elevation view thereof;

FIG. 18 is a right side elevation view thereof;

FIG. 19 is a top plan view thereof;

FIG. 20 is a bottom plan thereof;

FIG. 21 is a front elevation view thereof, in a folded position with the handle fully retracted;

FIG. 22 is a rear elevation view thereof;

FIG. 23 is a right side elevation view thereof;

FIG. 24 is a top plan view thereof;

FIG. 25 is a bottom plan view thereof;

FIG. 26 is a front elevation view thereof, in a folded position with the handle fully extended;

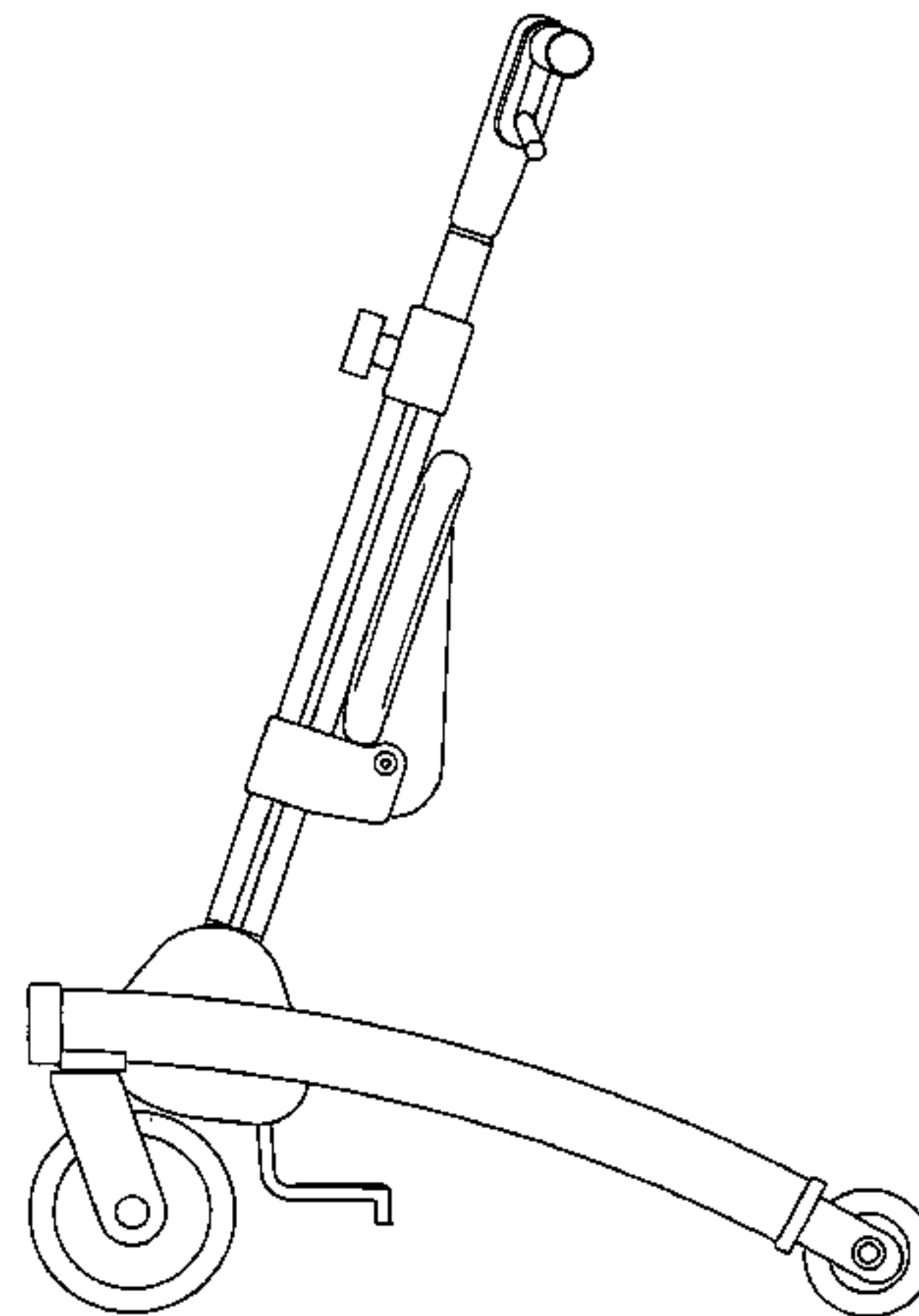
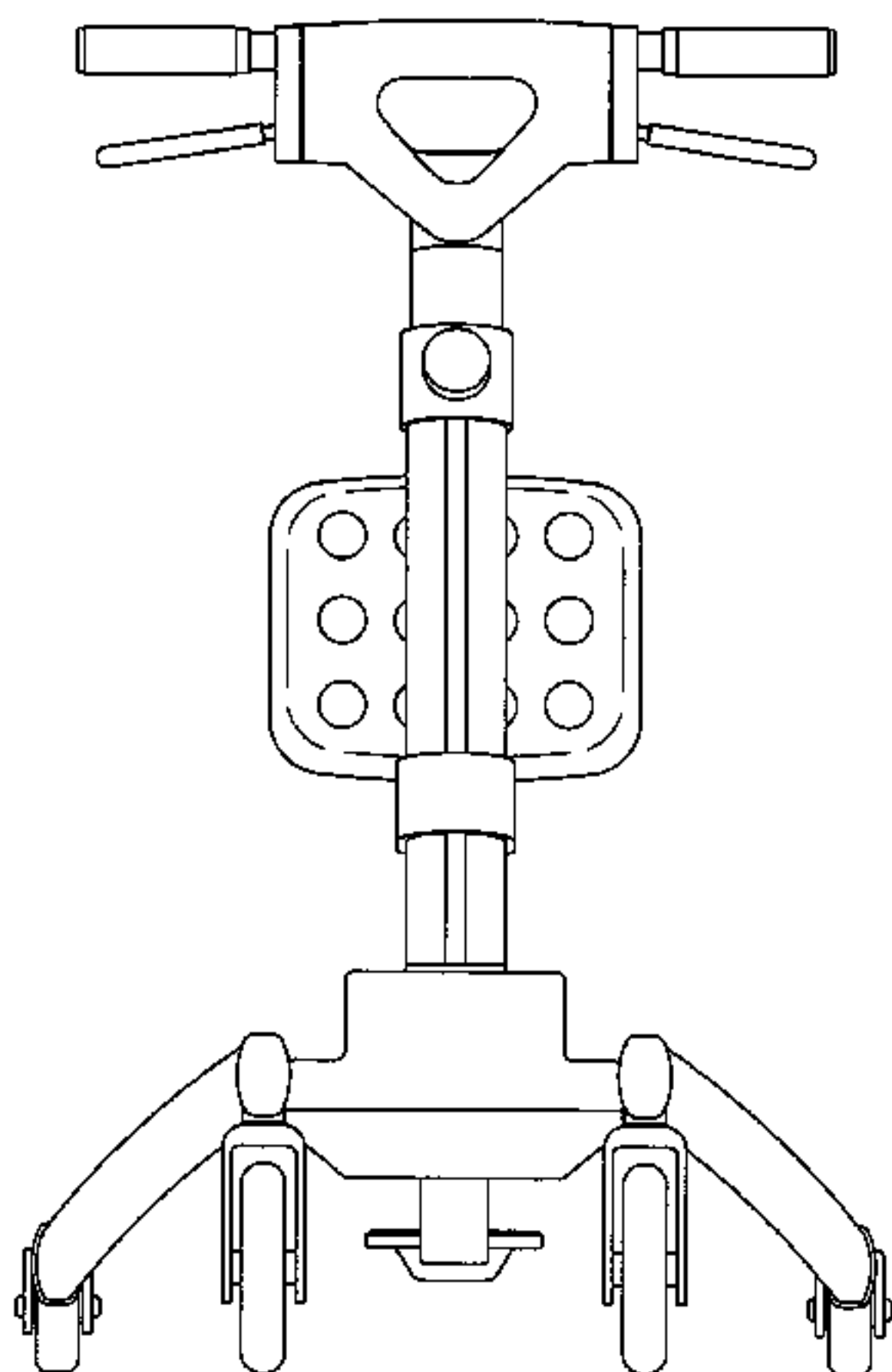
FIG. 27 is a rear elevation view thereof;

FIG. 28 is a right side elevation view thereof;

FIG. 29 is a top plan elevation view thereof; and,

FIG. 30 is a bottom plan view thereof.

1 Claim, 30 Drawing Sheets



US D594,792 S

Page 2

U.S. PATENT DOCUMENTS

5,709,400 A *	1/1998	Bonnier et al.	280/650	7,311,323 B1 *	12/2007	Lan et al.	280/642
D472,280 S *	3/2003	Jenkins	D21/419	7,377,528 B1 *	5/2008	Xie	280/87.041
6,851,694 B2 *	2/2005	Feng	280/220	D575,352 S *	8/2008	Sramek	D21/423
6,908,091 B2 *	6/2005	Chuang	280/87.041	D580,829 S *	11/2008	Jacobs	D12/129
7,229,091 B2 *	6/2007	Lan	280/642				

* cited by examiner

Fig. 1

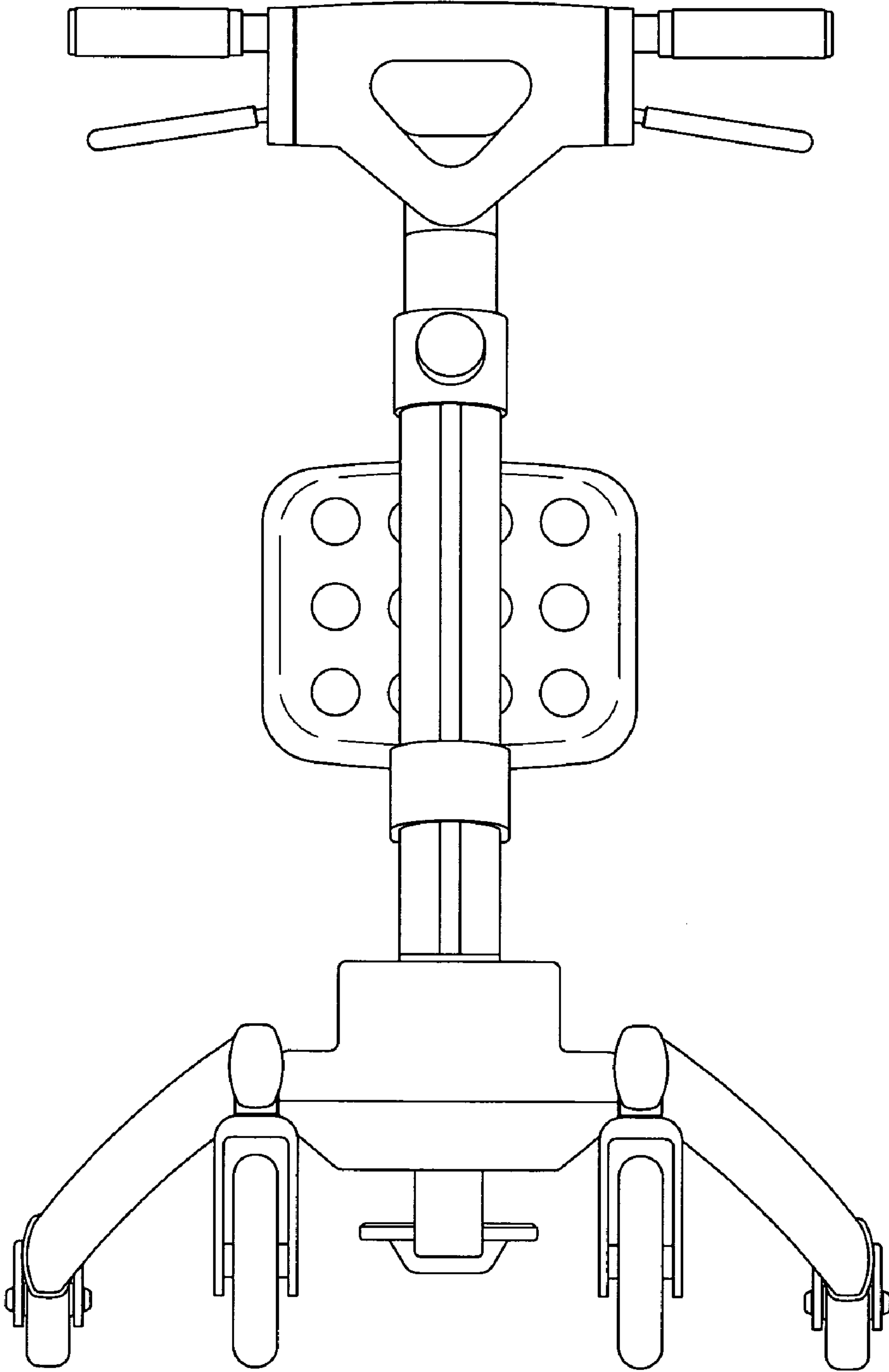


Fig. 2

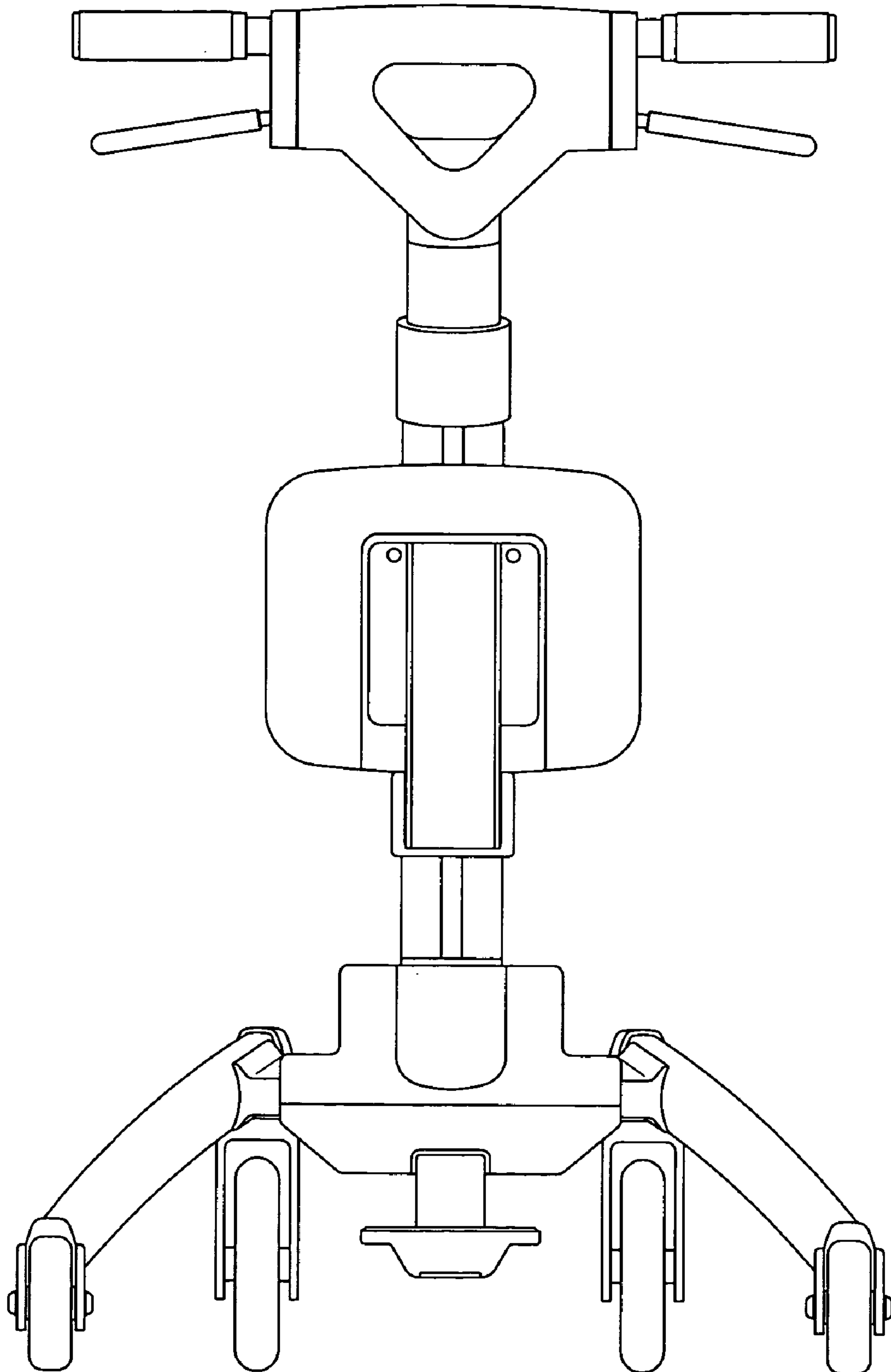


Fig. 3

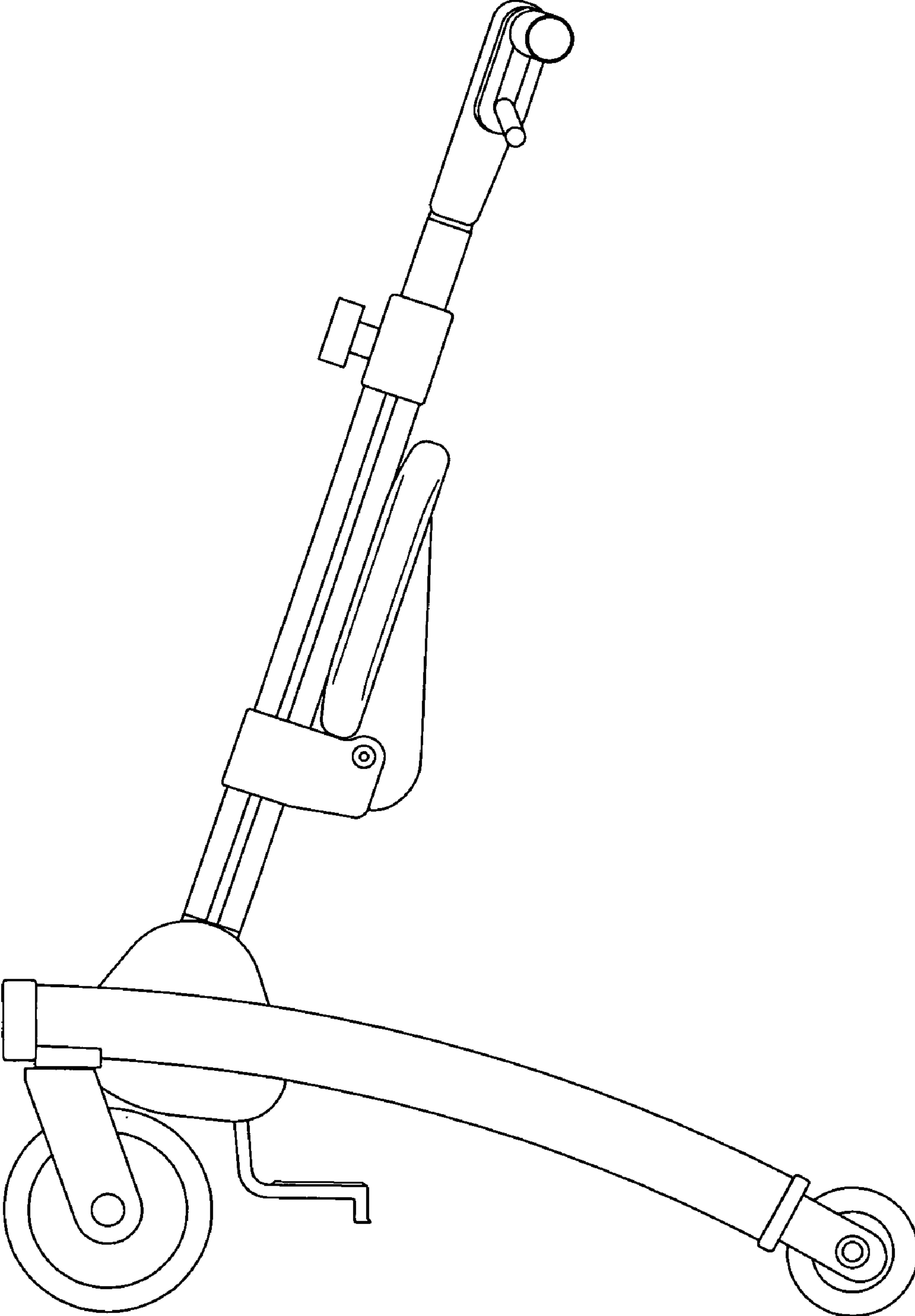


Fig. 4

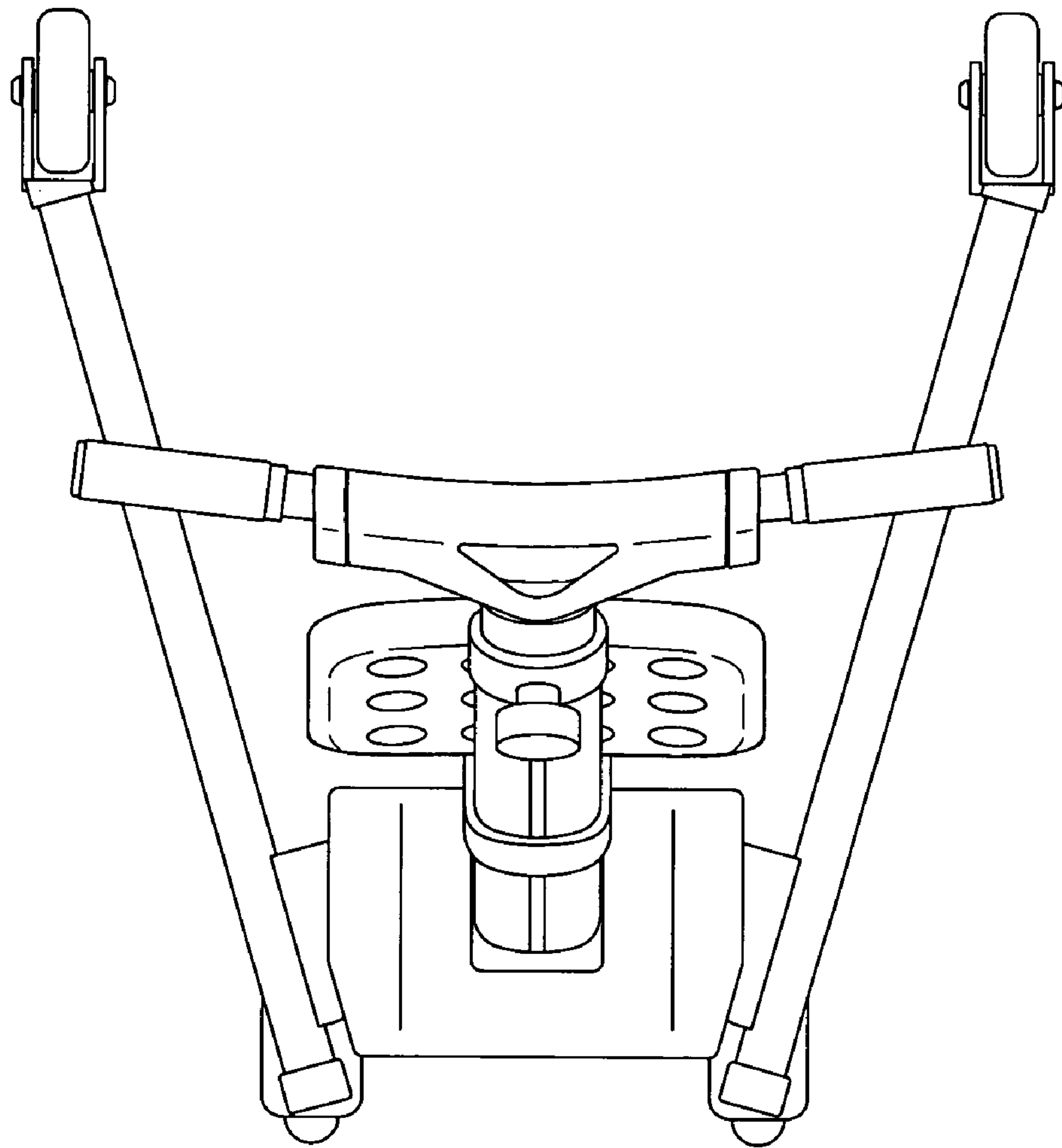


Fig. 5

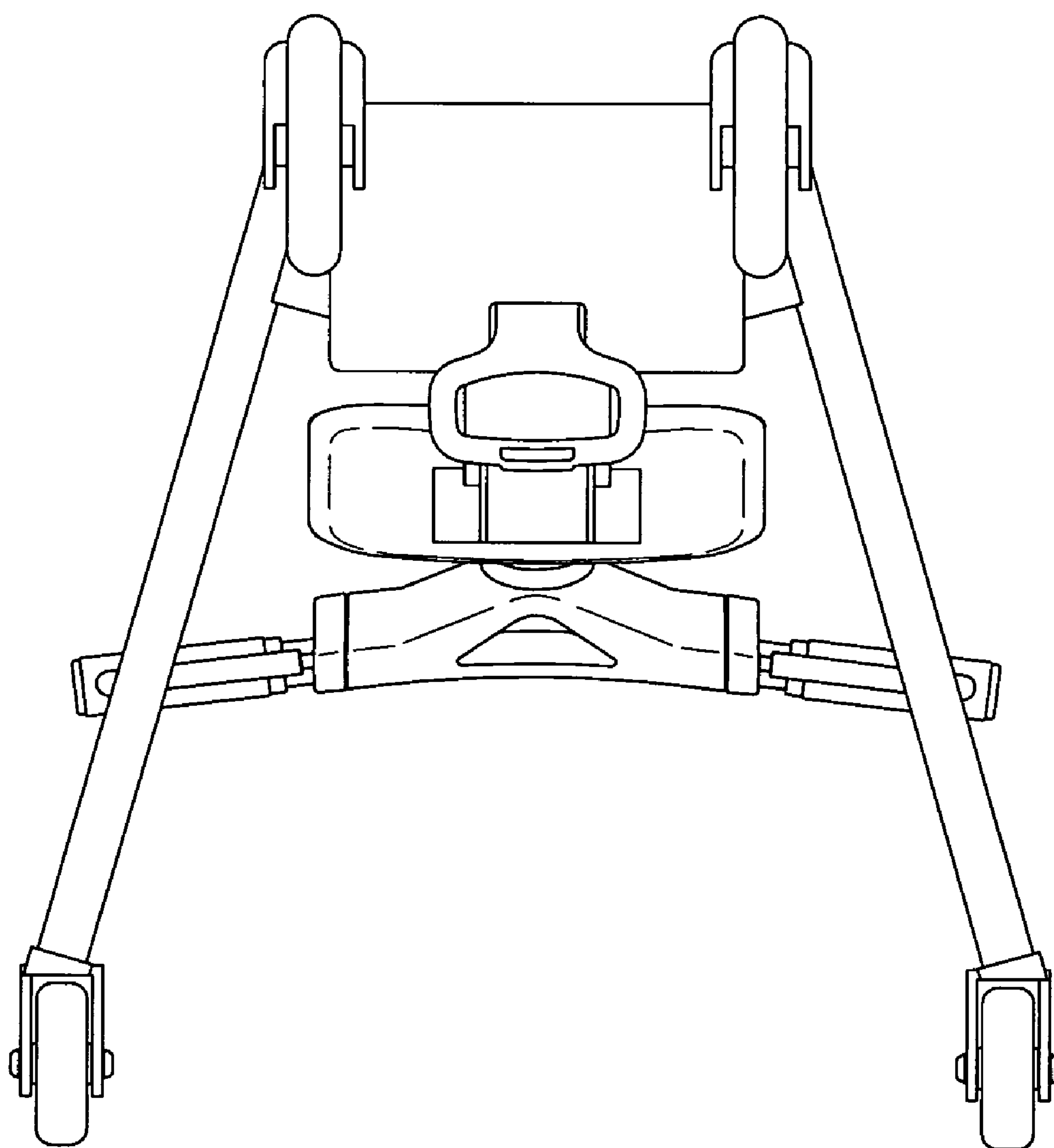


Fig. 6

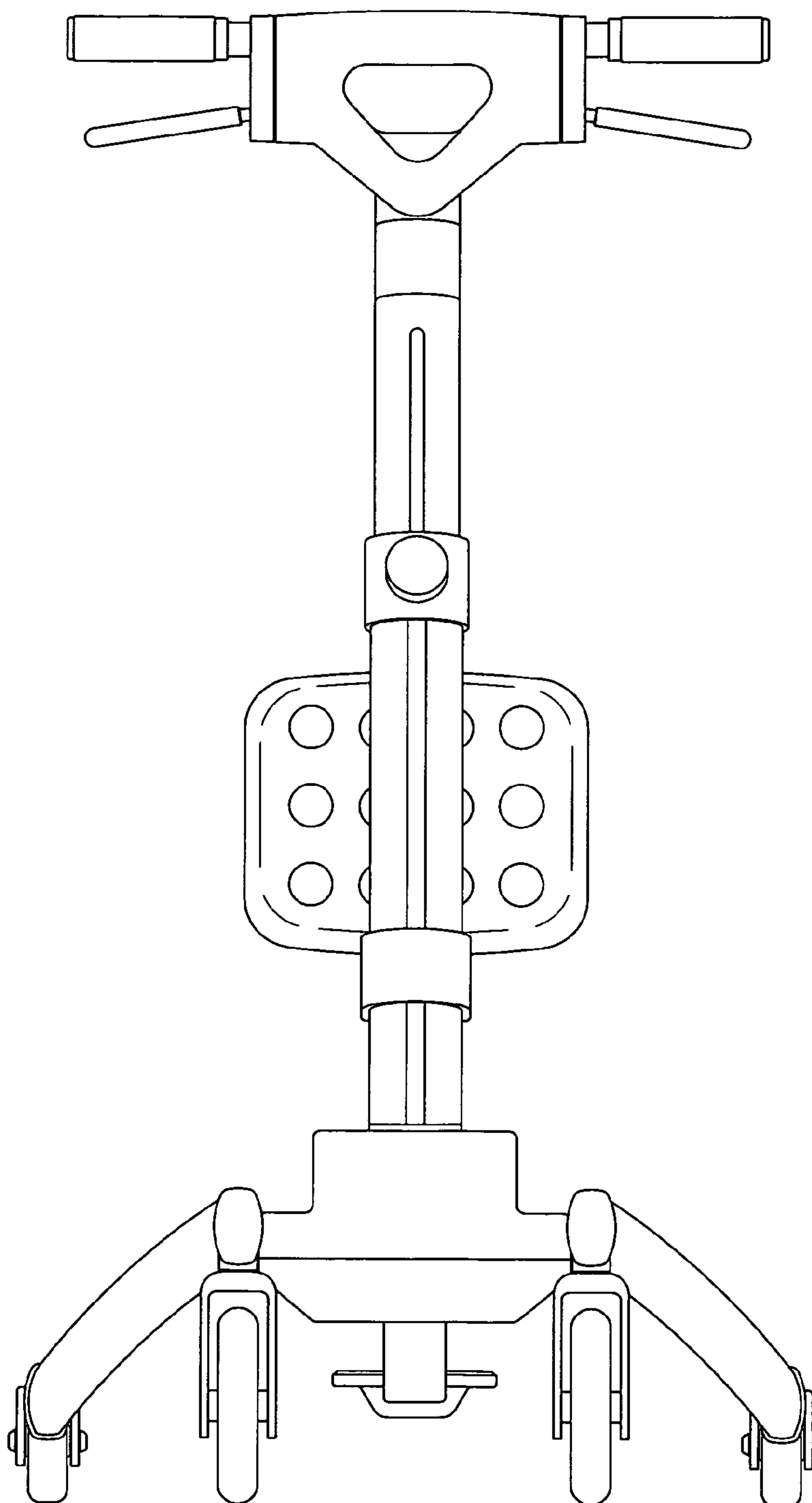


Fig. 7

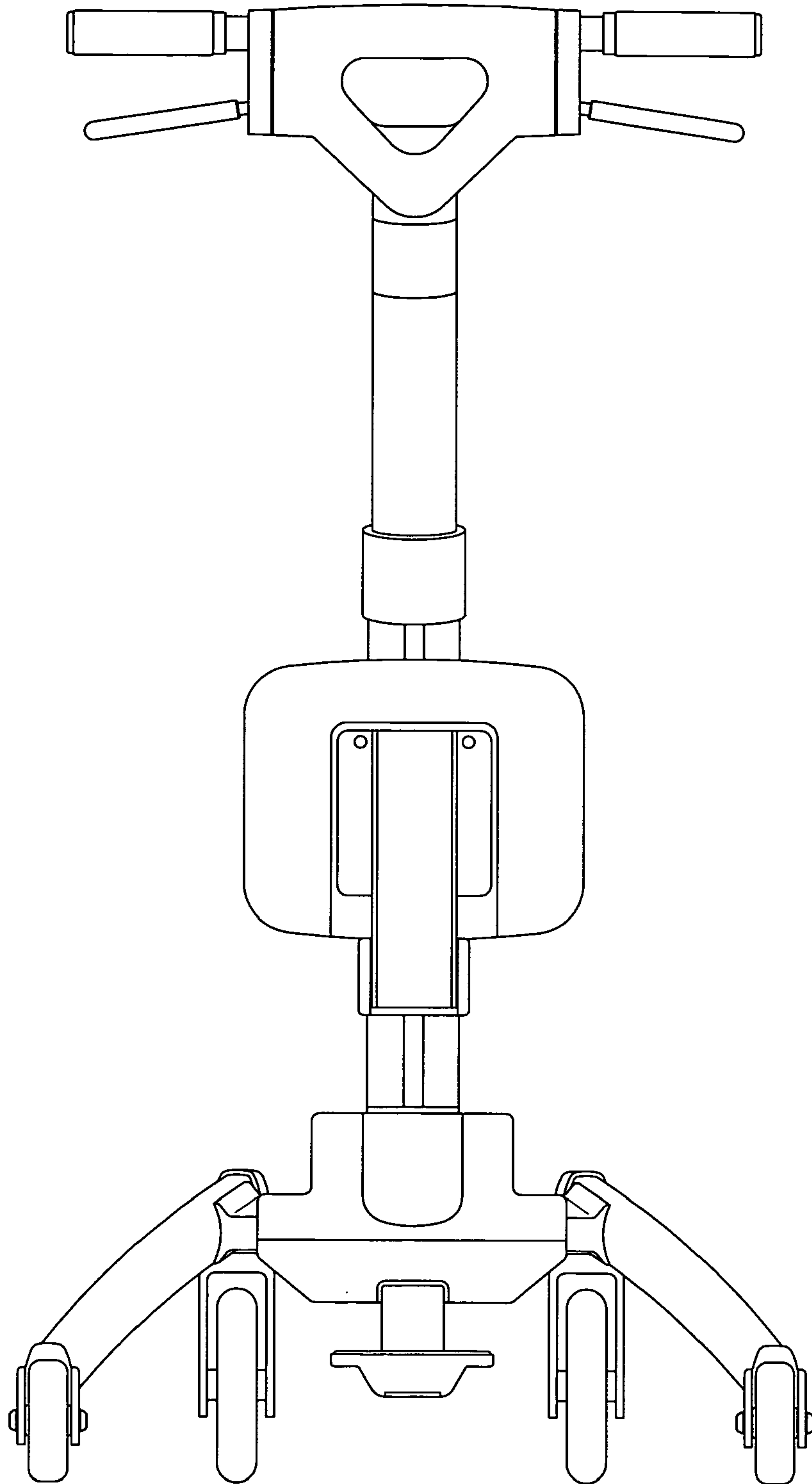


Fig. 8

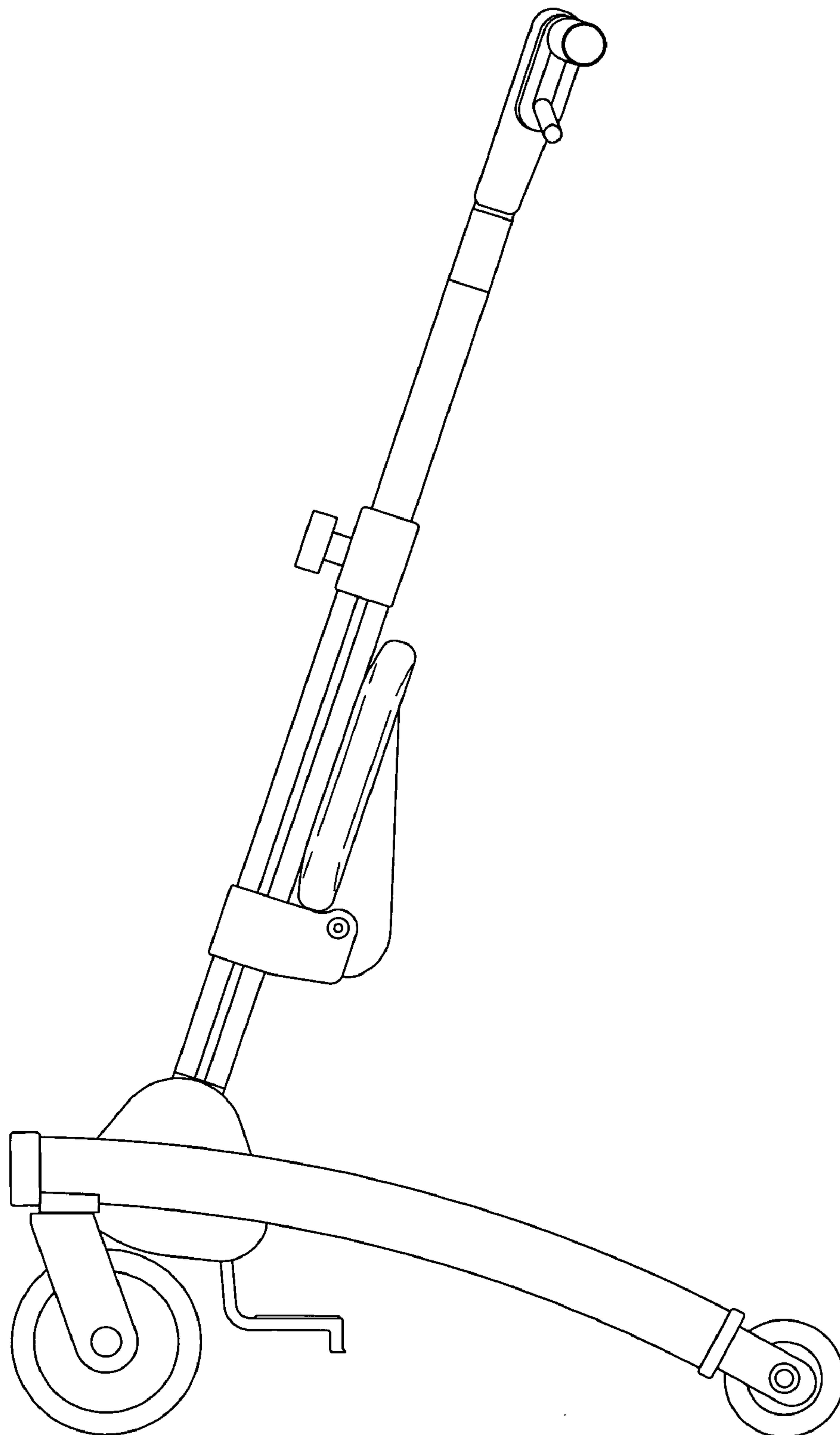


Fig. 9

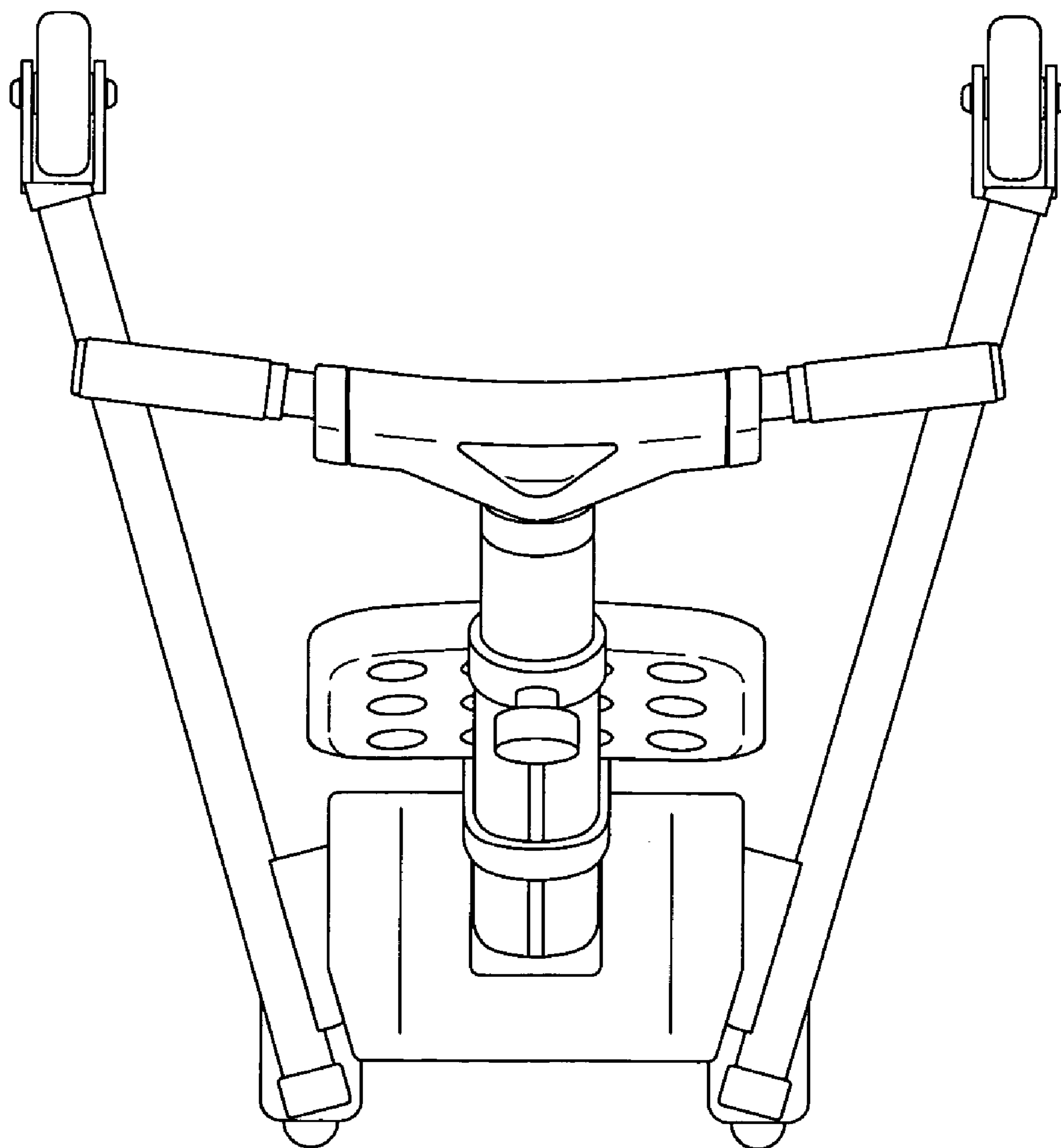


Fig. 10

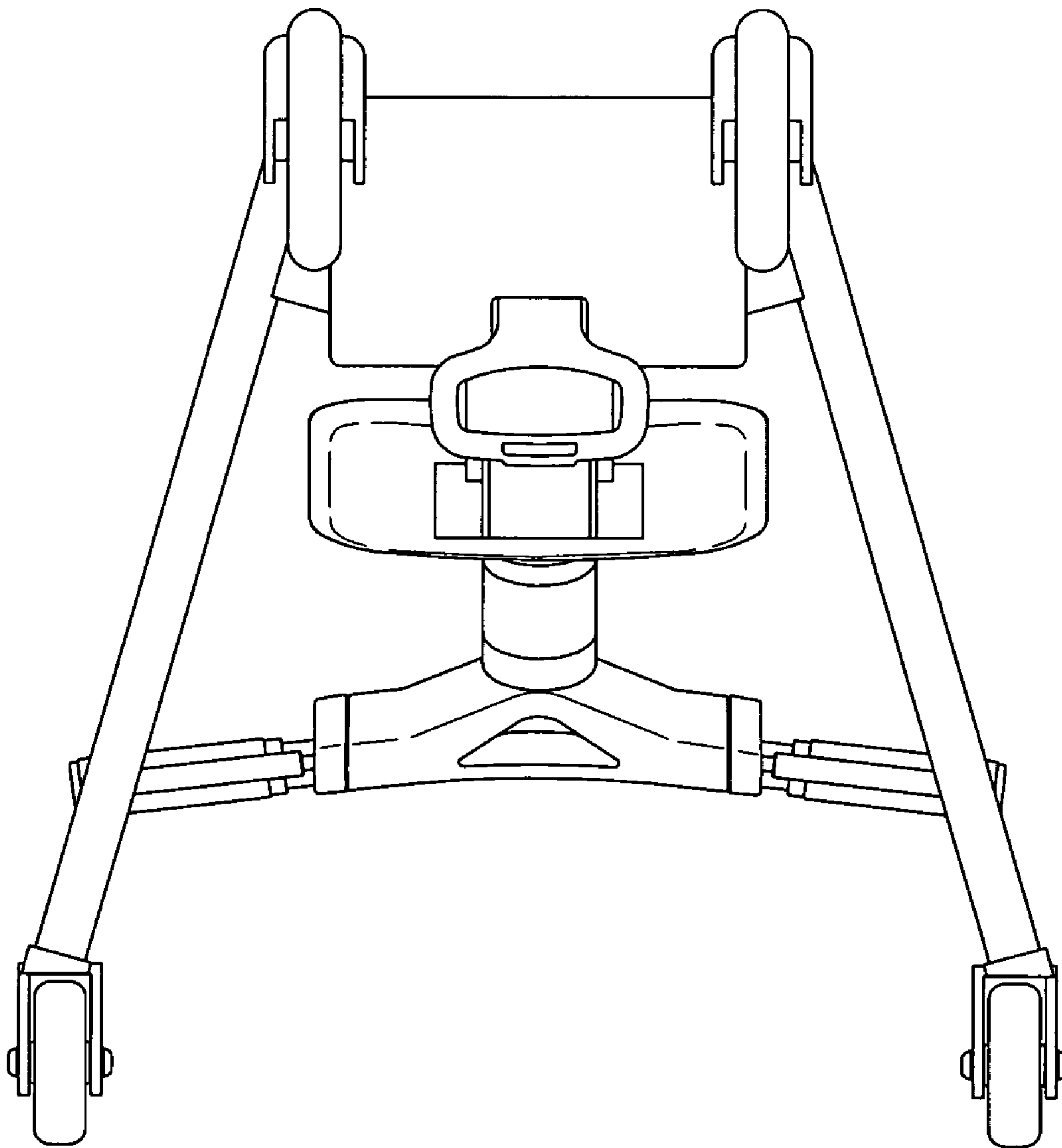


Fig. 11

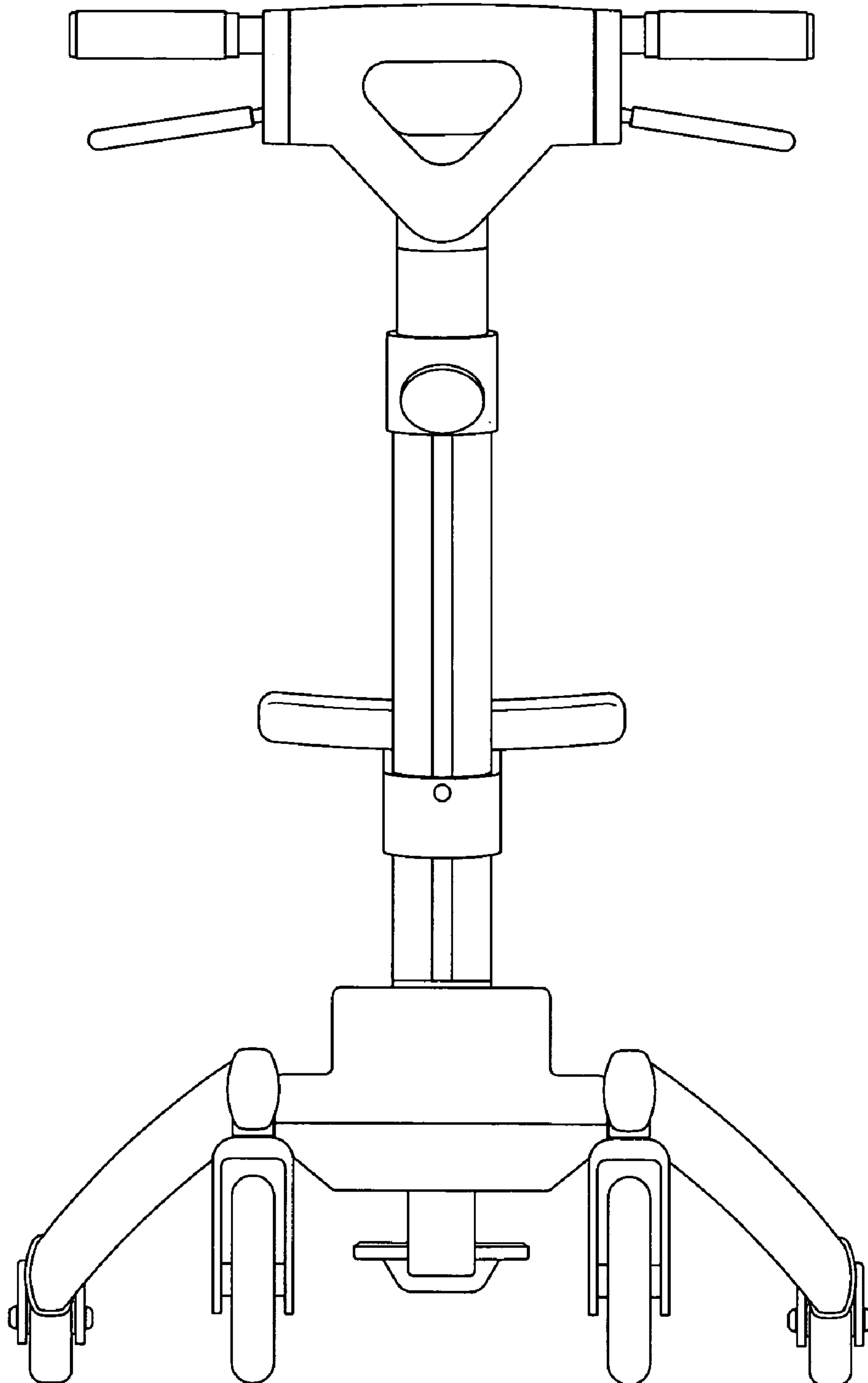


Fig. 12

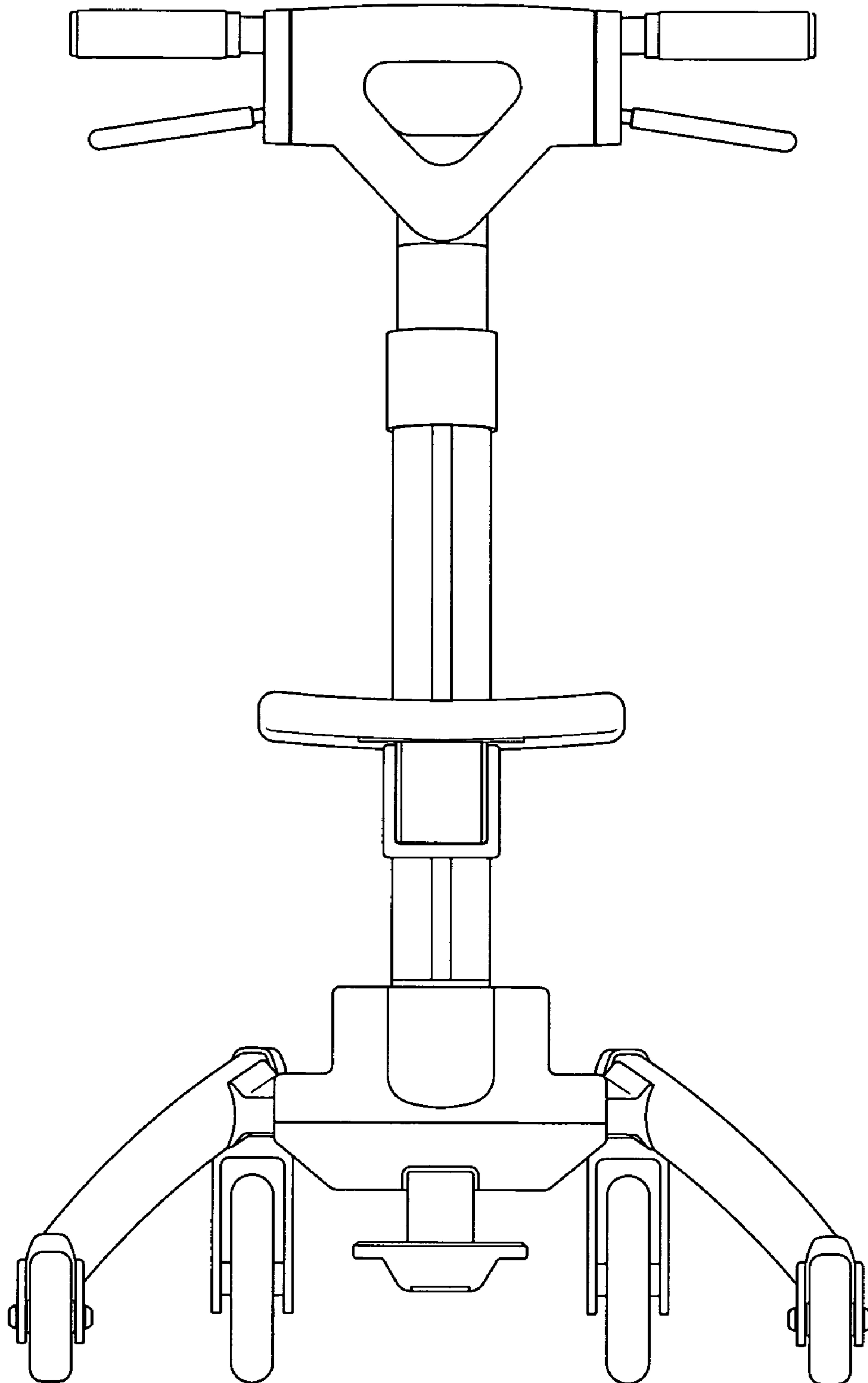


Fig. 13

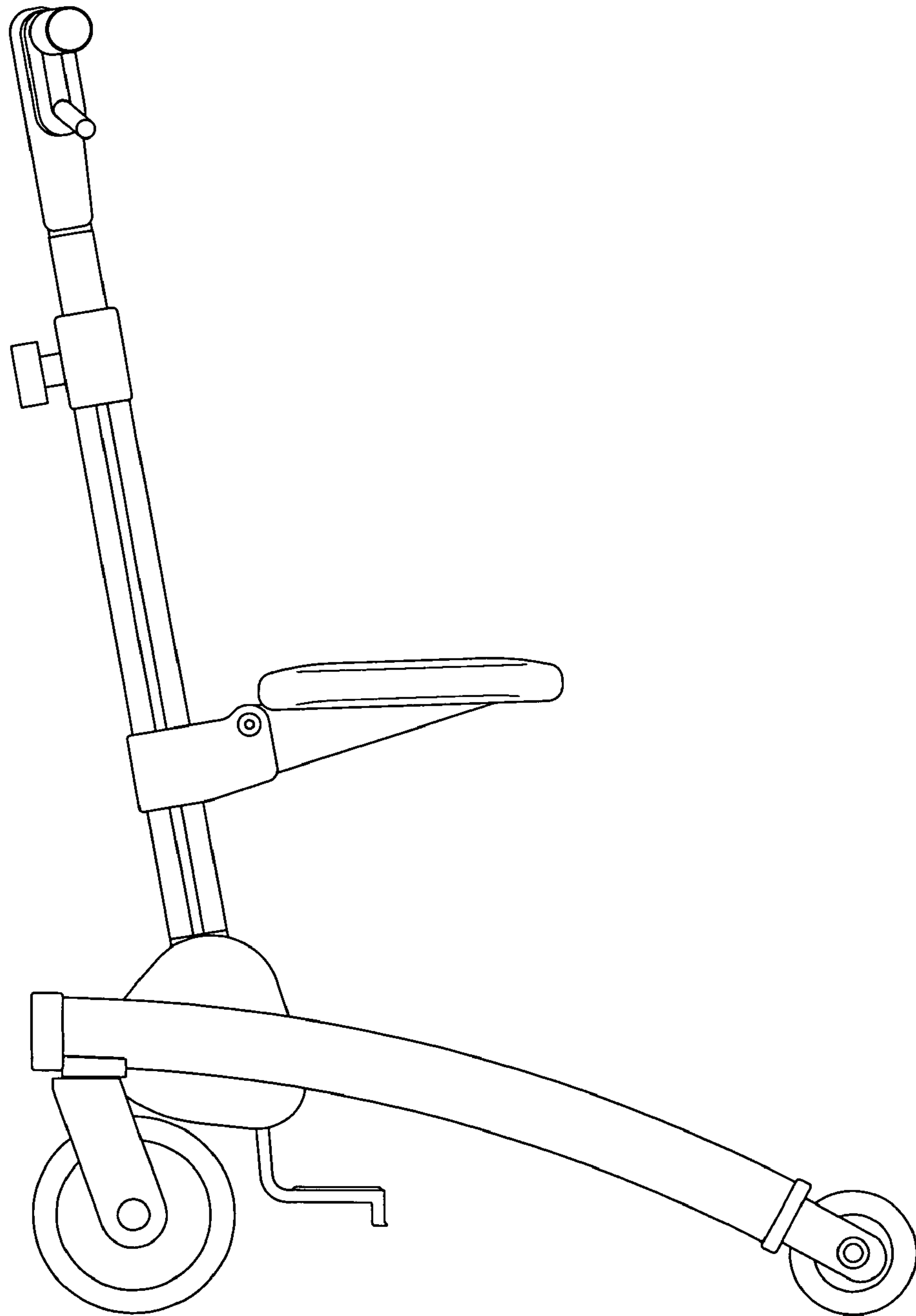


Fig. 14

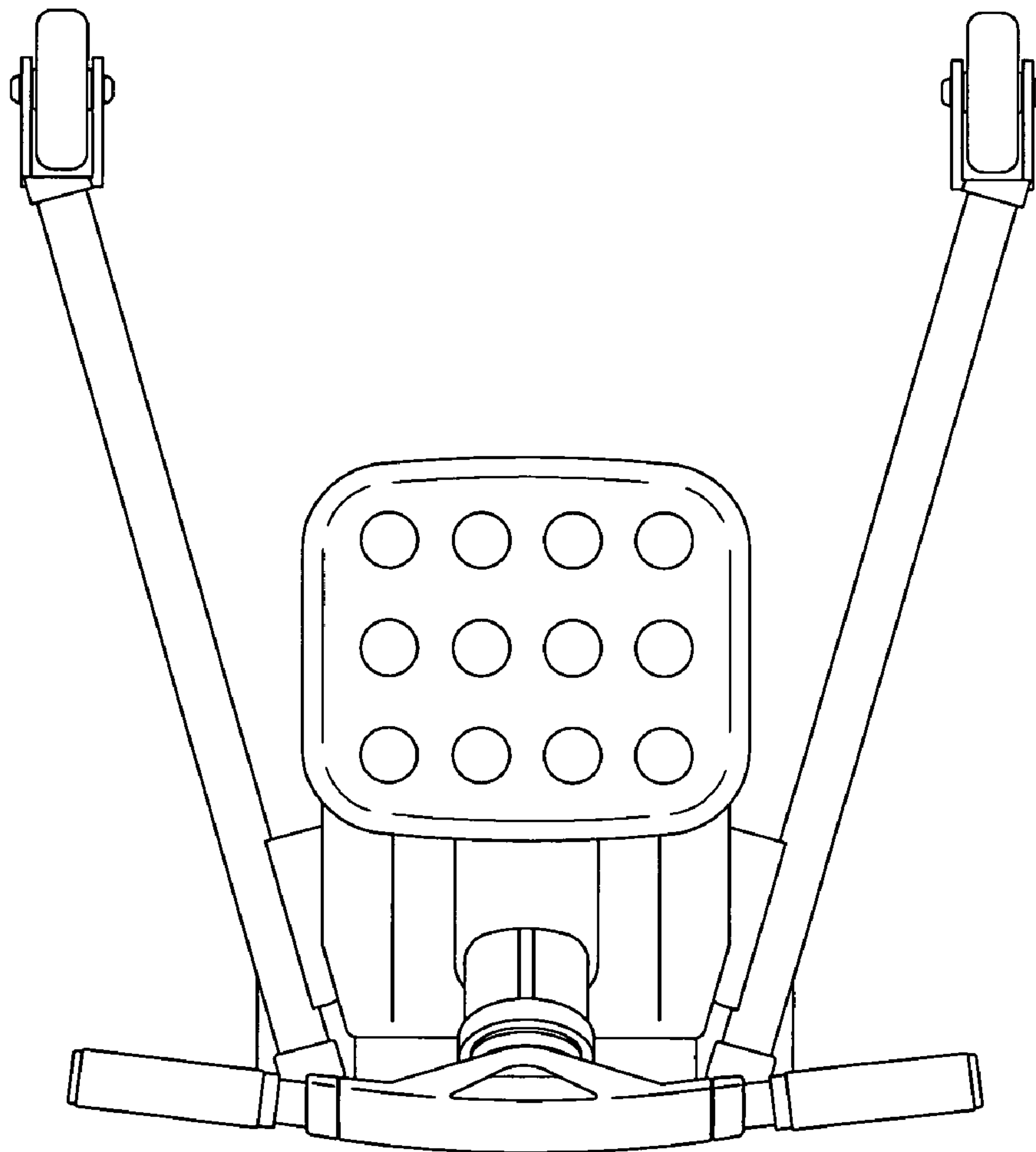


Fig. 15

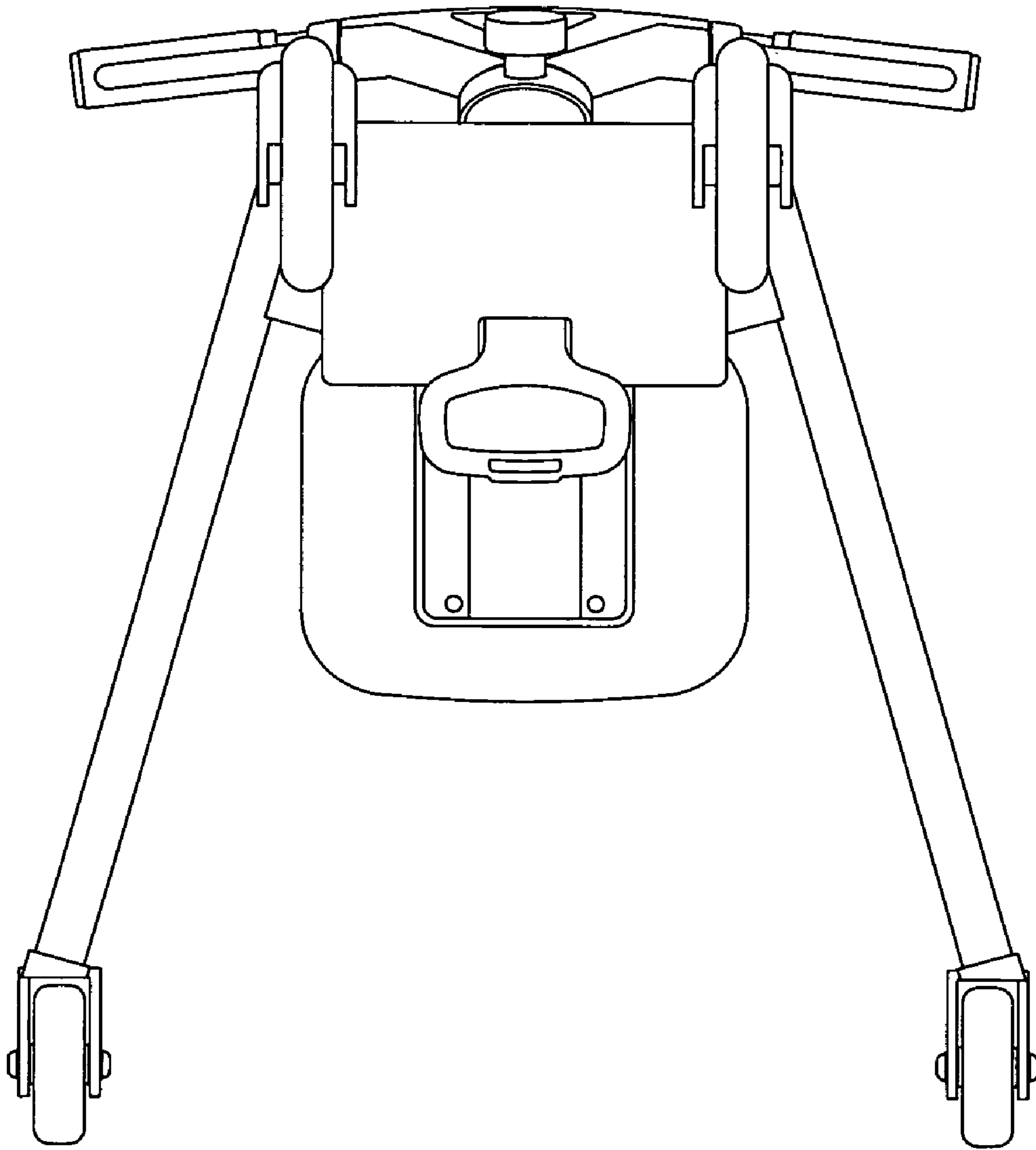


Fig. 16

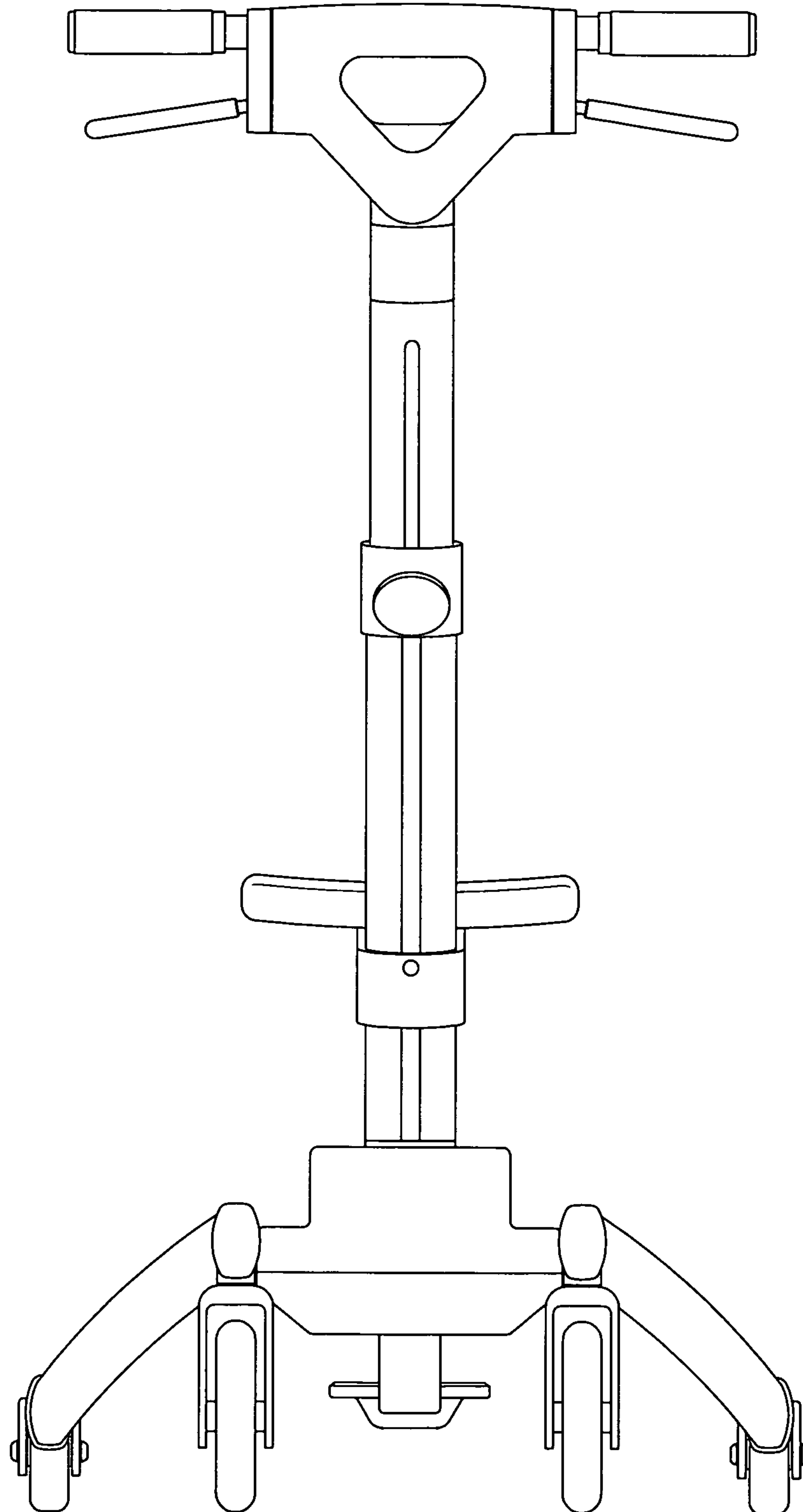


Fig. 17

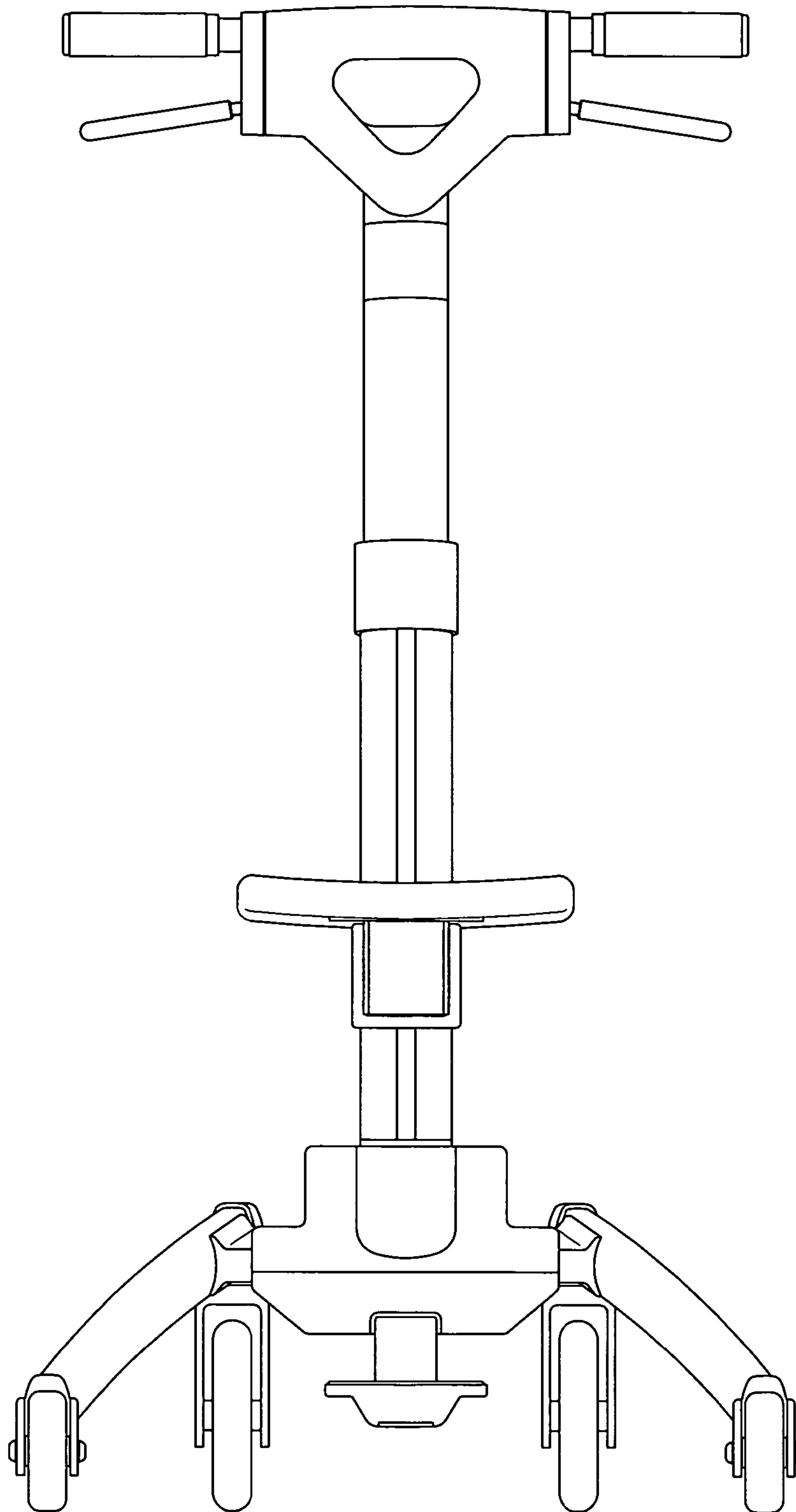


Fig. 18

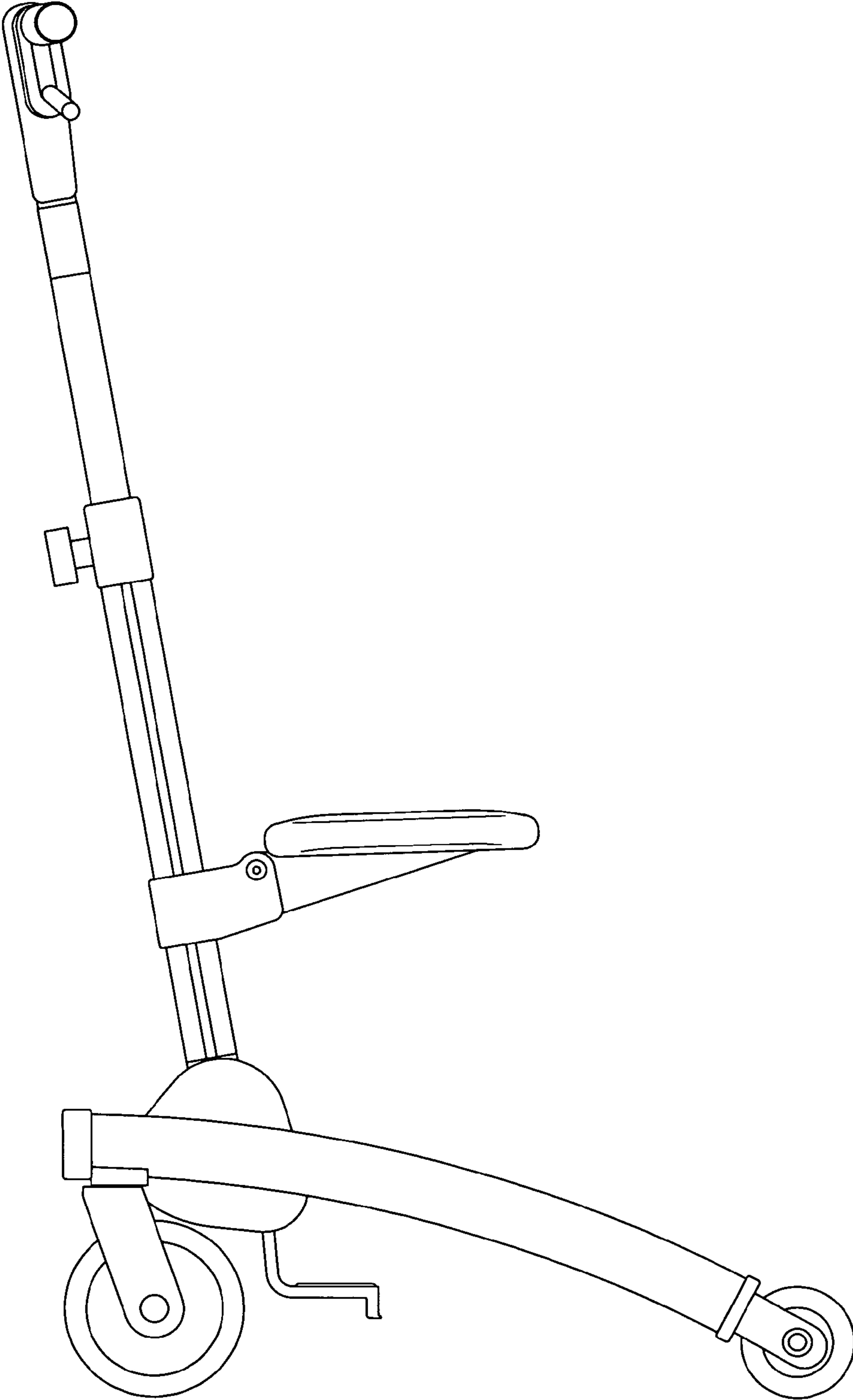


Fig. 19

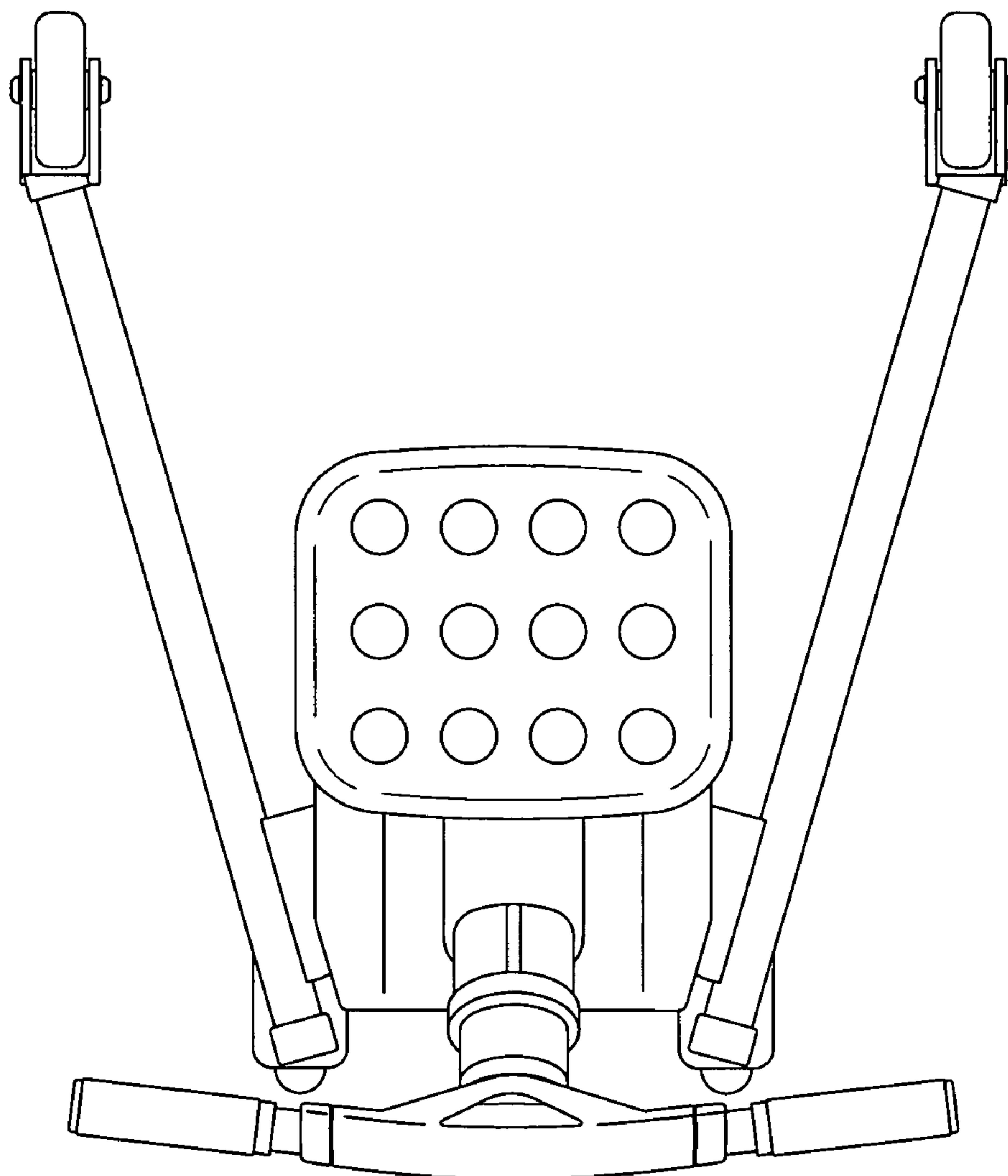


Fig. 20

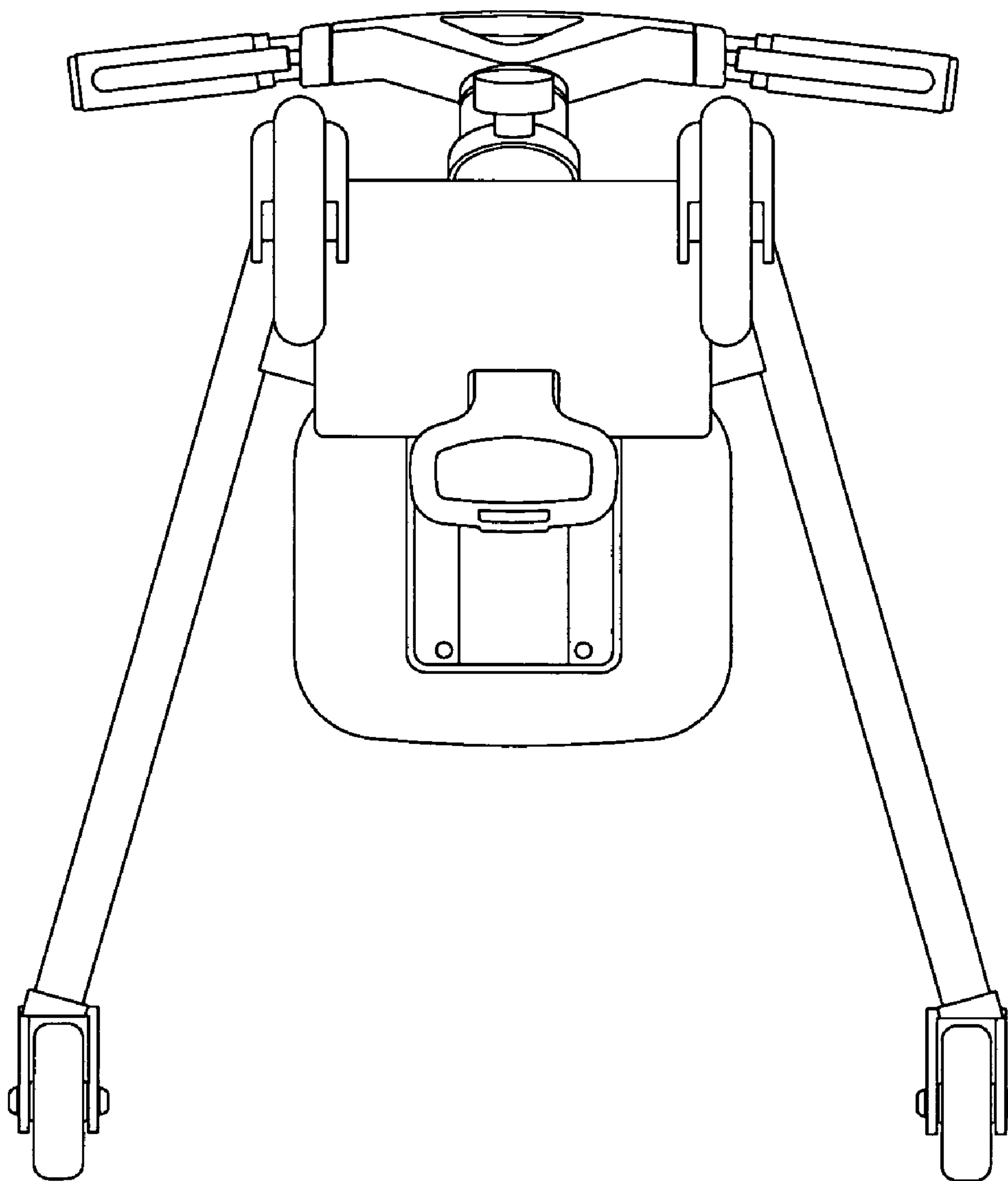


Fig. 21

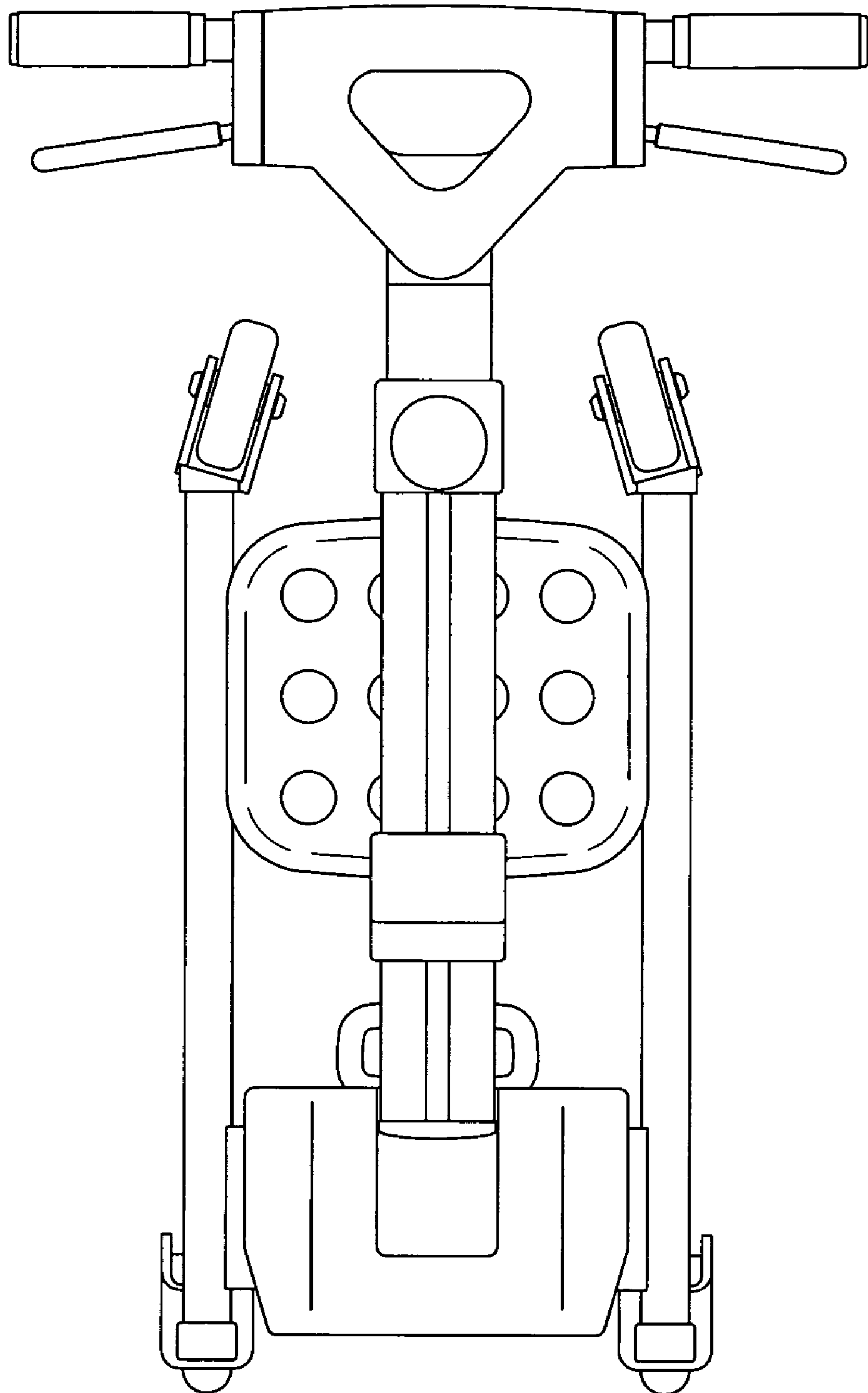


Fig. 22

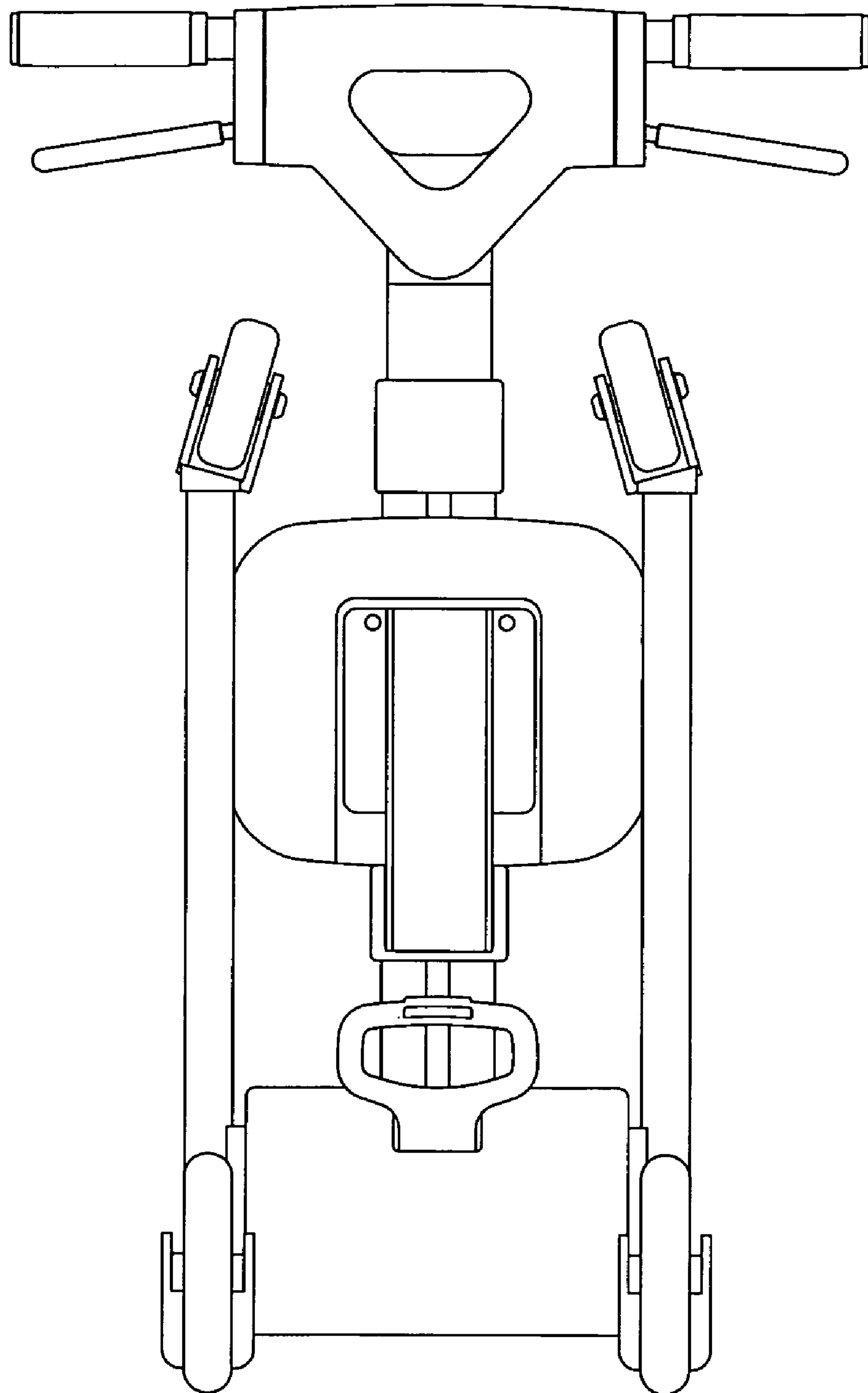


Fig. 23

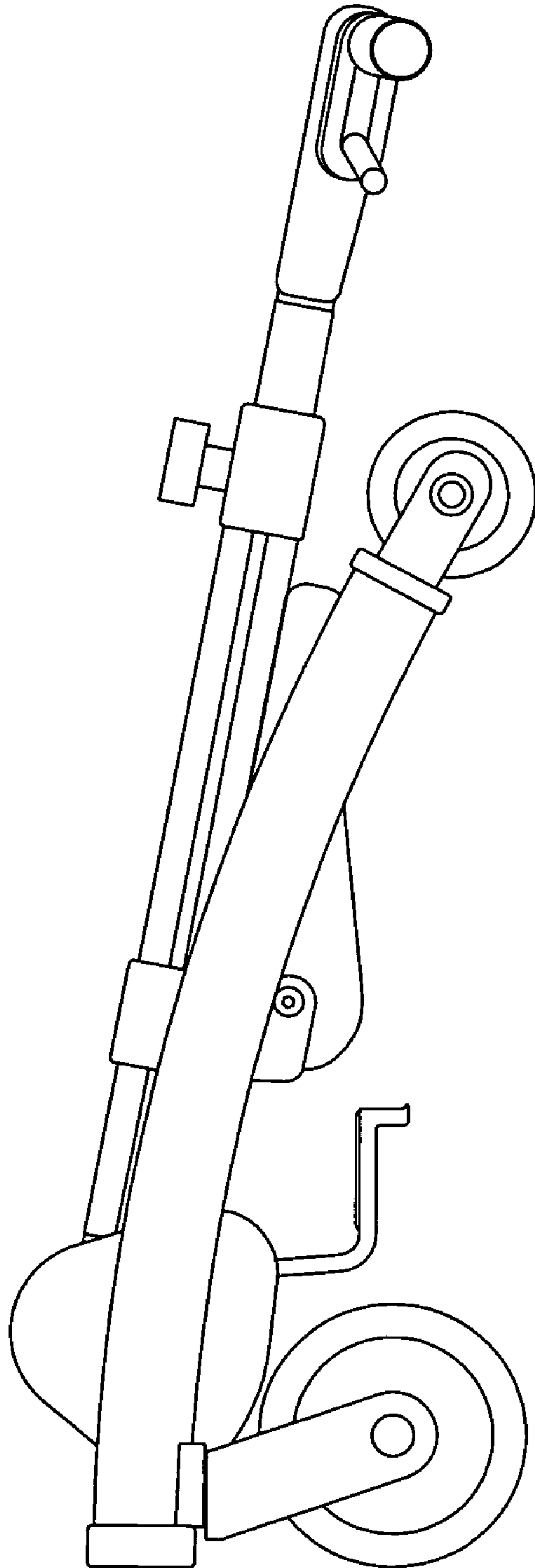


Fig. 24

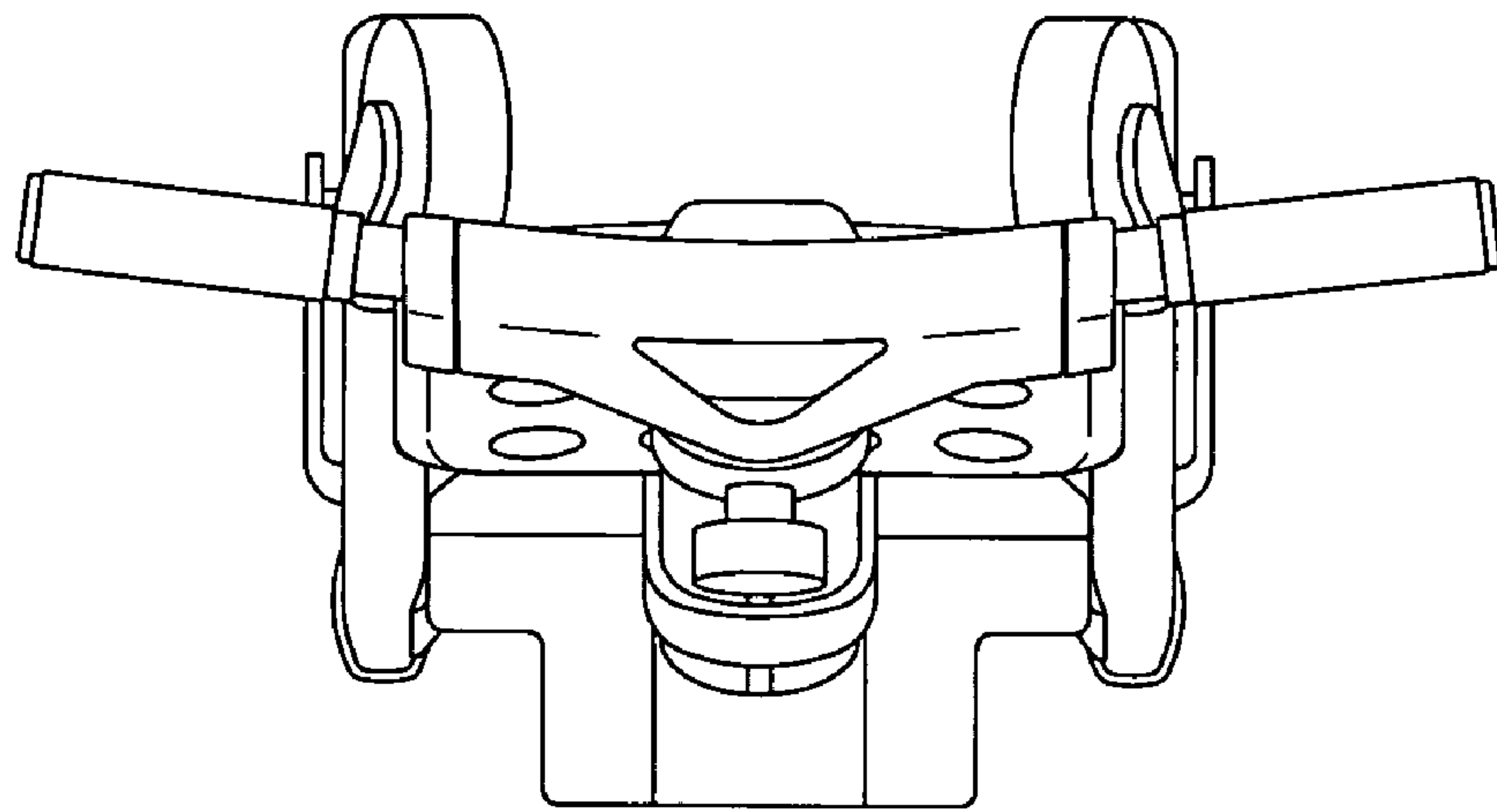


Fig. 25

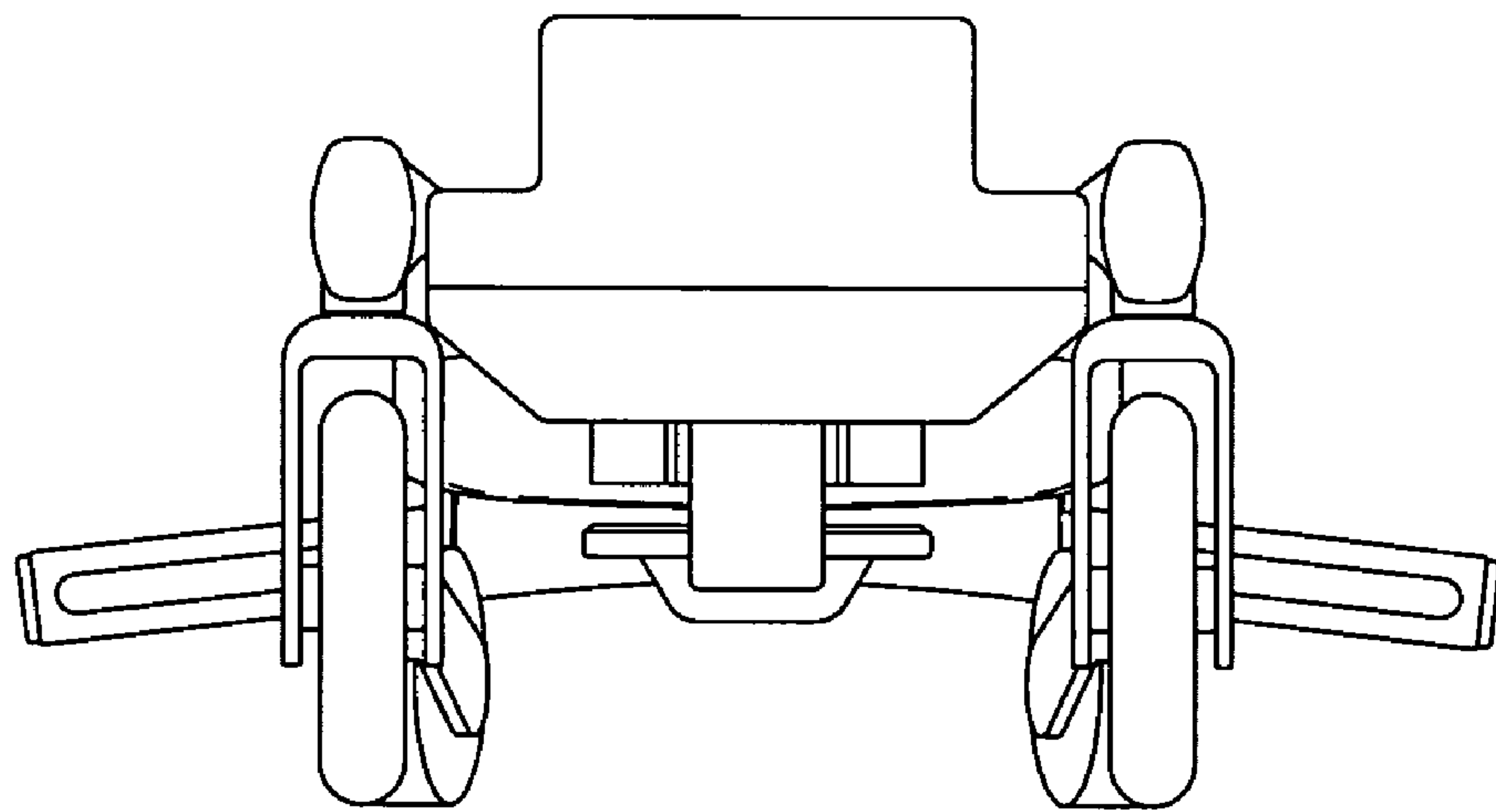


Fig. 26

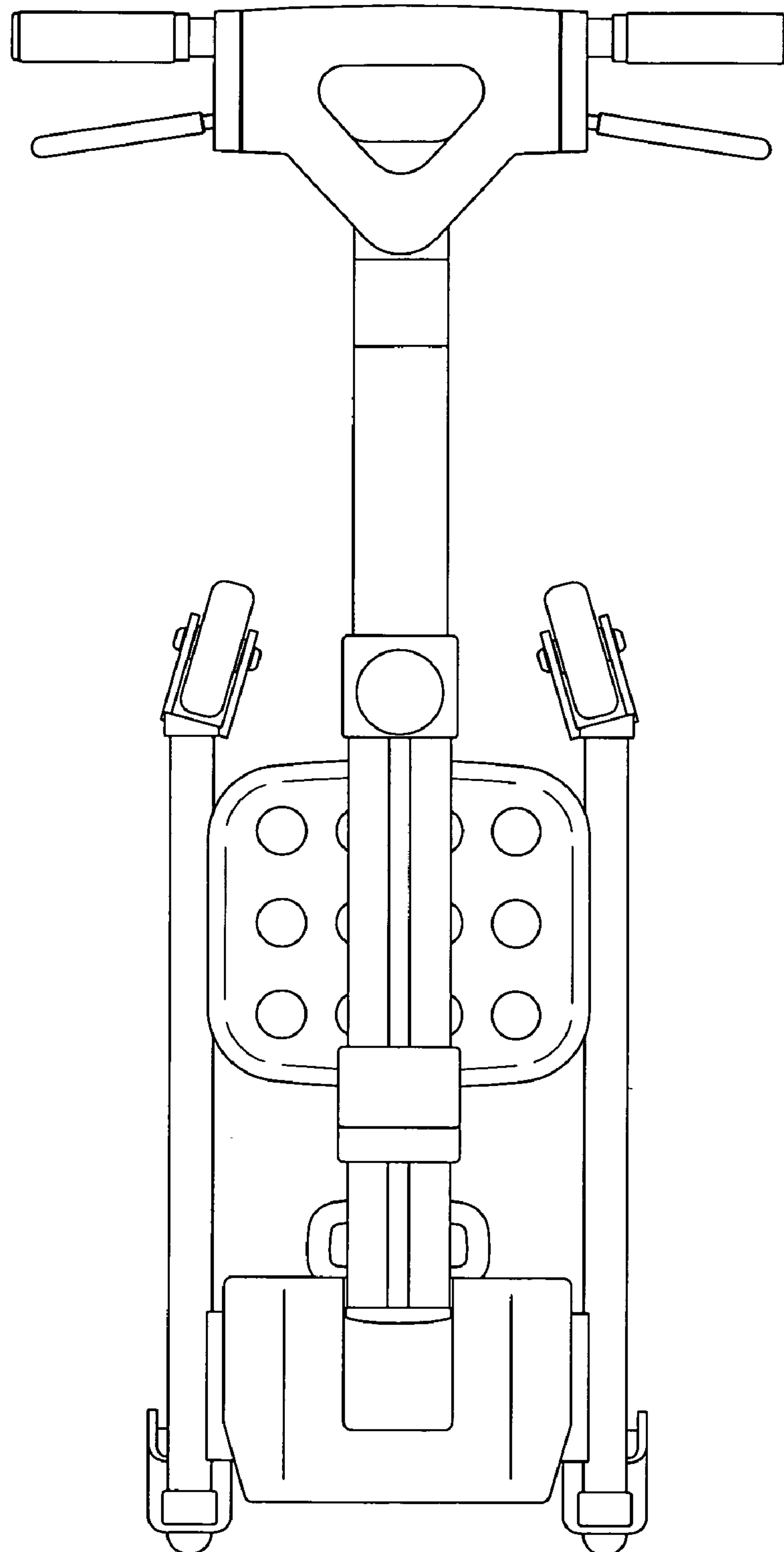


Fig. 27

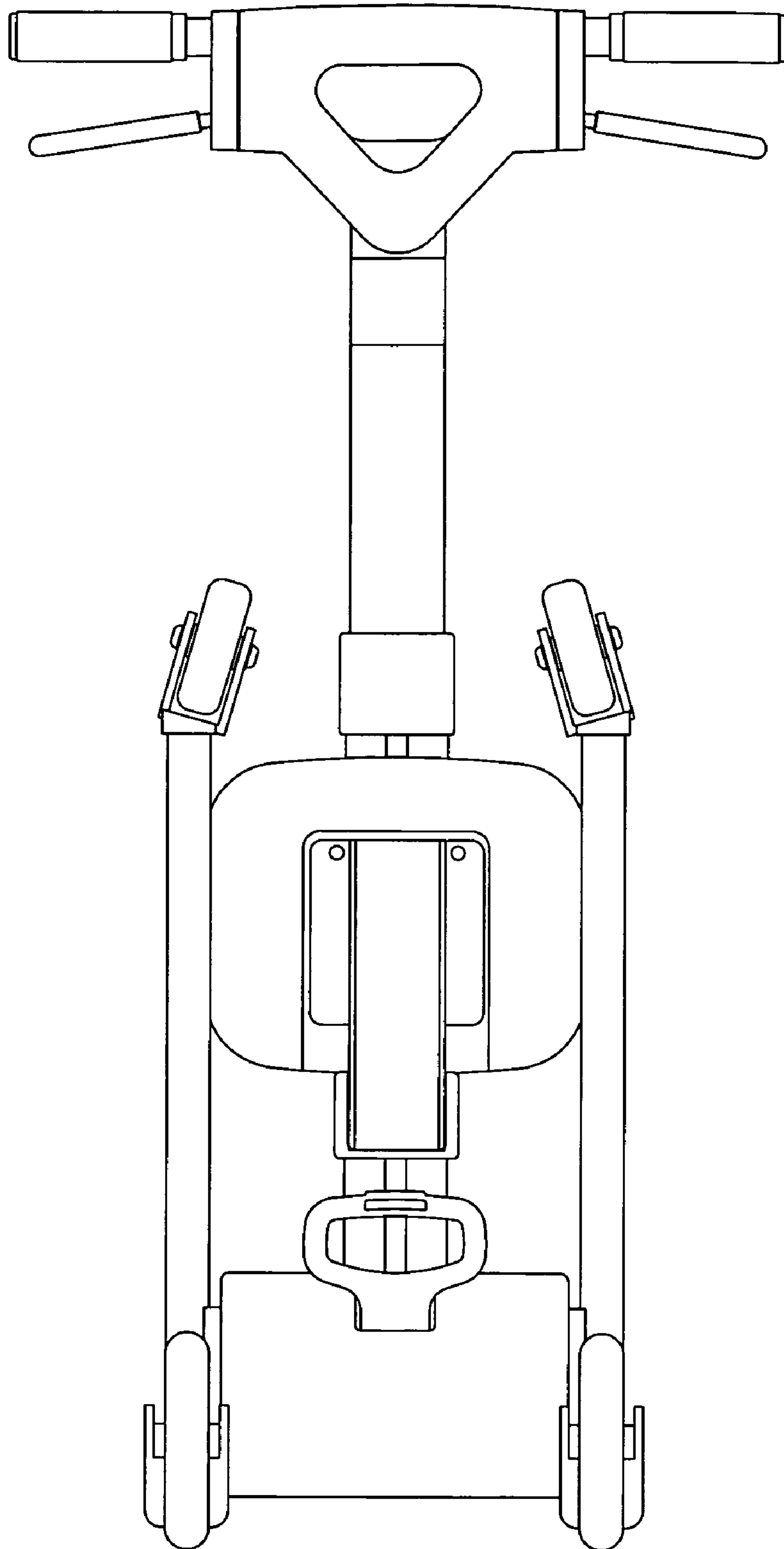


Fig. 28

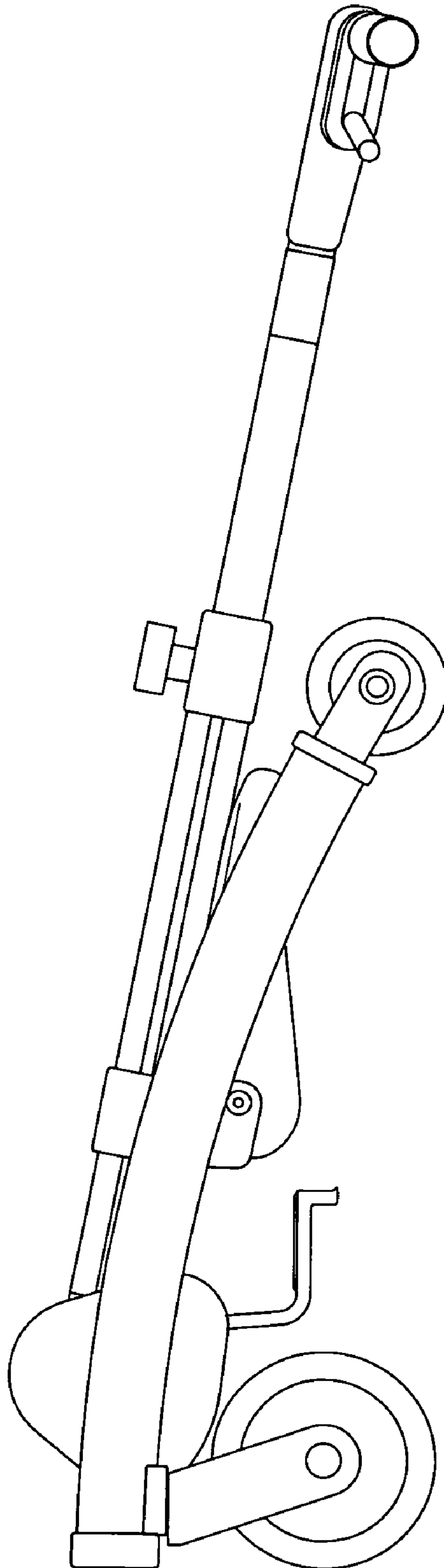


Fig. 29

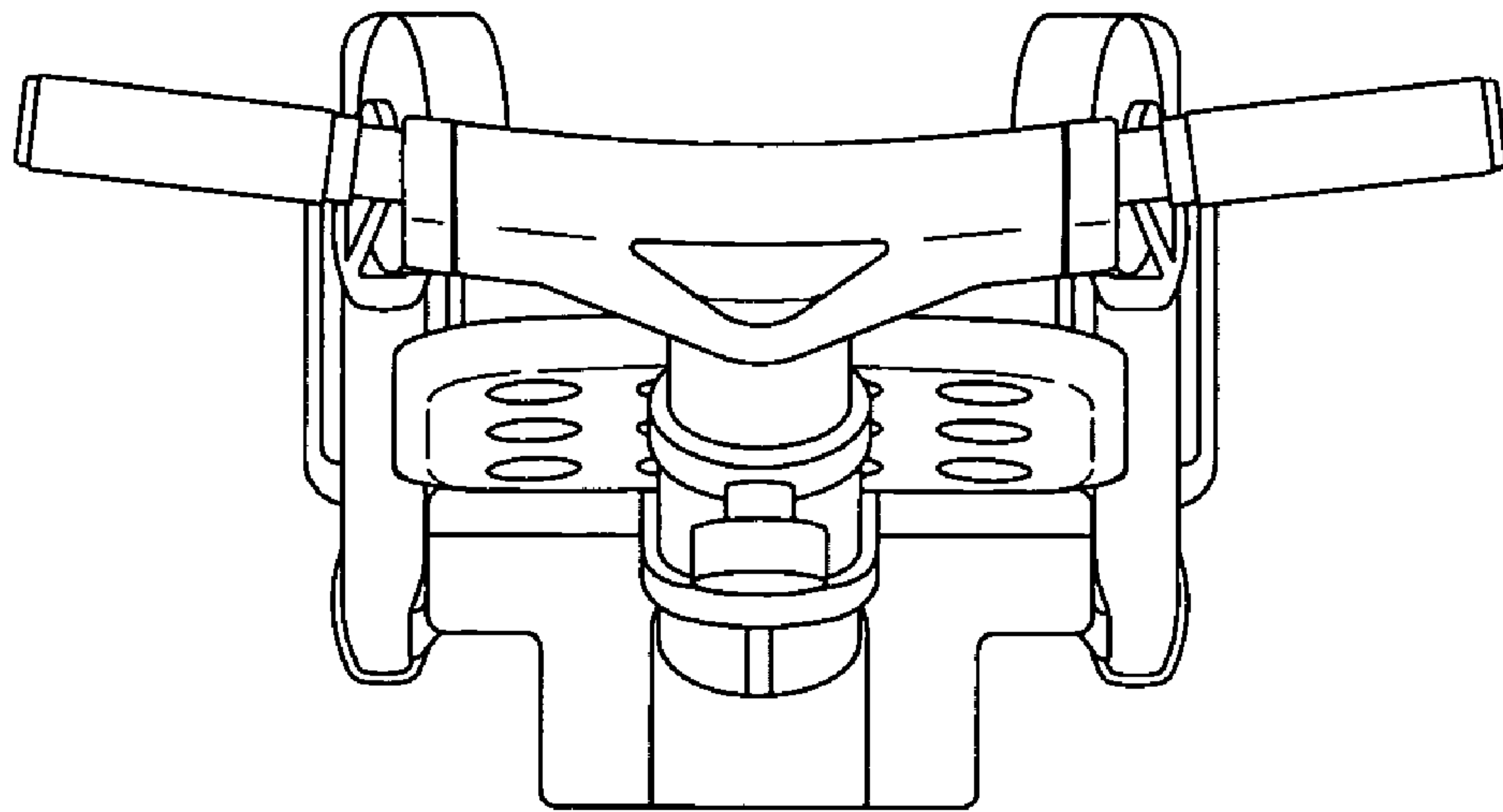


Fig. 30

