



US00D594791S

(12) **United States Design Patent**
Million

(10) **Patent No.:** **US D594,791 S**
(45) **Date of Patent:** **** Jun. 23, 2009**

(54) **MOTORCYCLE FRAME COVER**

(75) Inventor: **Porter R. Million**, Chaska, MN (US)
(73) Assignee: **Kuraykyn Holdings, Inc.**, Somerset, WI (US)

(**) Term: **14 Years**
(21) Appl. No.: **29/310,886**
(22) Filed: **Sep. 17, 2008**

(51) **LOC (9) Cl.** **12-11**
(52) **U.S. Cl.** **D12/126**
(58) **Field of Classification Search** D12/126,
D12/127, 110, 114; 123/195 C, 198 R, 198 E;
280/288.4, 304.3, 304.4; 180/219
See application file for complete search history.

(56) **References Cited**

U.S. PATENT DOCUMENTS

D272,729 S * 2/1984 Stahel D12/126
D274,053 S * 5/1984 Stahel D12/126

OTHER PUBLICATIONS

J & P Cycles® 2005 Metric Cruiser & Touring Catalog, frame covers on pp. 329, neck covers on p. 331, and chrome frame covers on p. 363.*

* cited by examiner

Primary Examiner—Robin V Webster
Assistant Examiner—Linda Brooks
(74) *Attorney, Agent, or Firm*—Dicke, Billig & Czaja, PLLC

(57) **CLAIM**

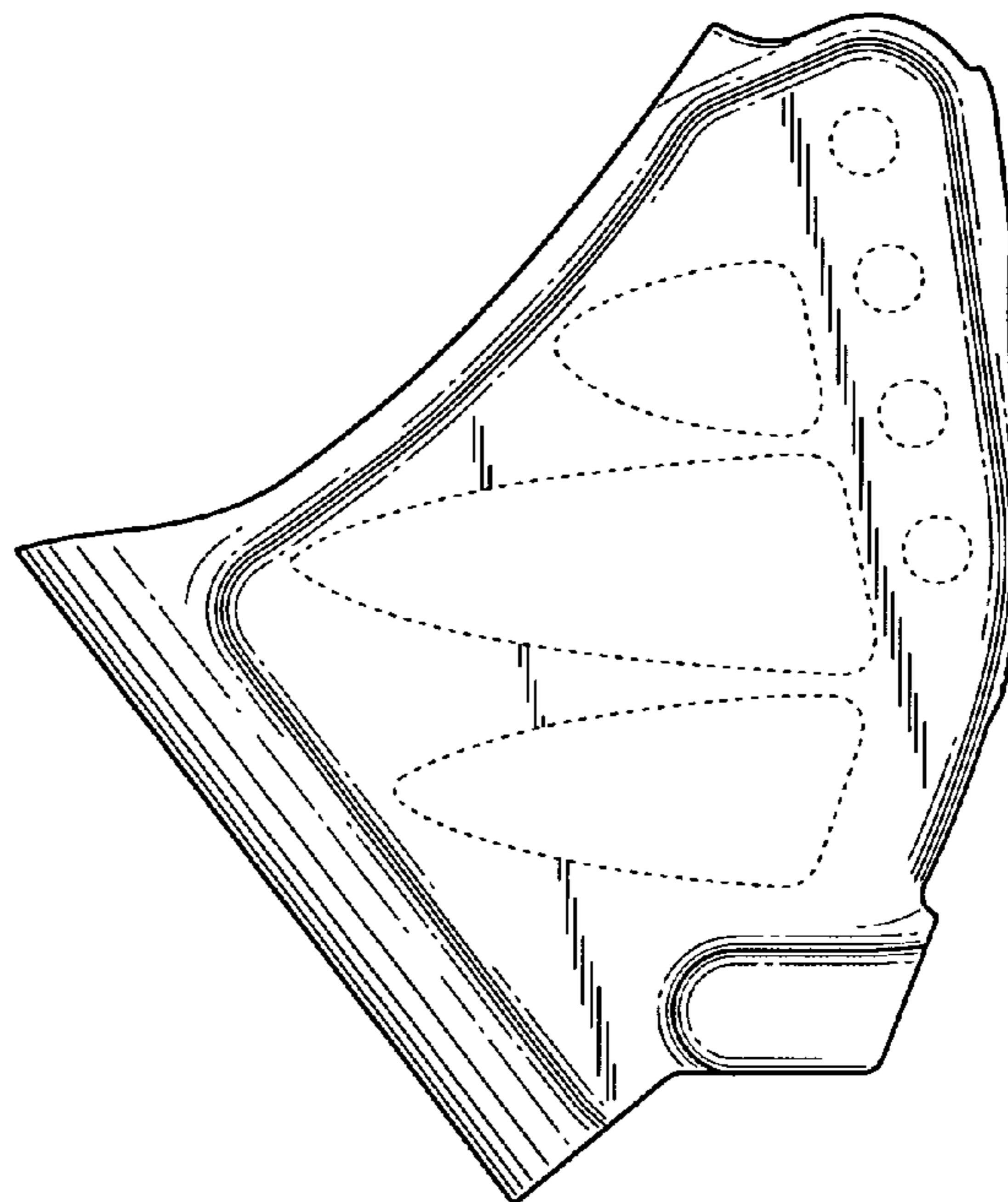
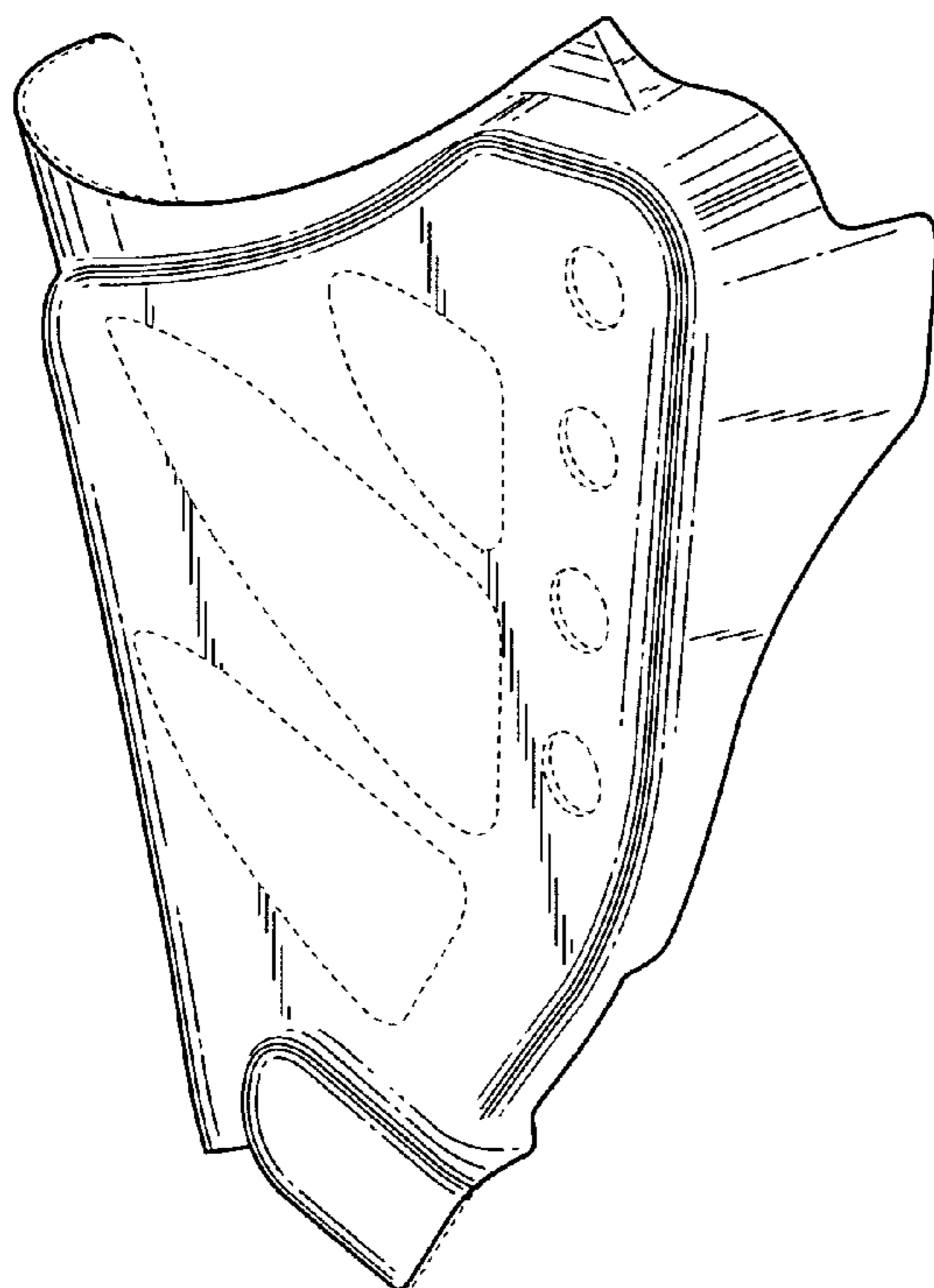
The ornamental design for a motorcycle frame cover, as shown and described.

DESCRIPTION

FIG. 1 is a front perspective view of the motorcycle frame cover of the present invention.
FIG. 2 is a front elevation view thereof.
FIG. 3 is a rear elevation view thereof.
FIG. 4 is a top view thereof.
FIG. 5 is a bottom view thereof.
FIG. 6 is a right side view thereof; and,
FIG. 7 is a left side view thereof.

The rear surface and front surface portions of the motorcycle frame cover shown in broken lines form no part of the claimed design.

1 Claim, 4 Drawing Sheets



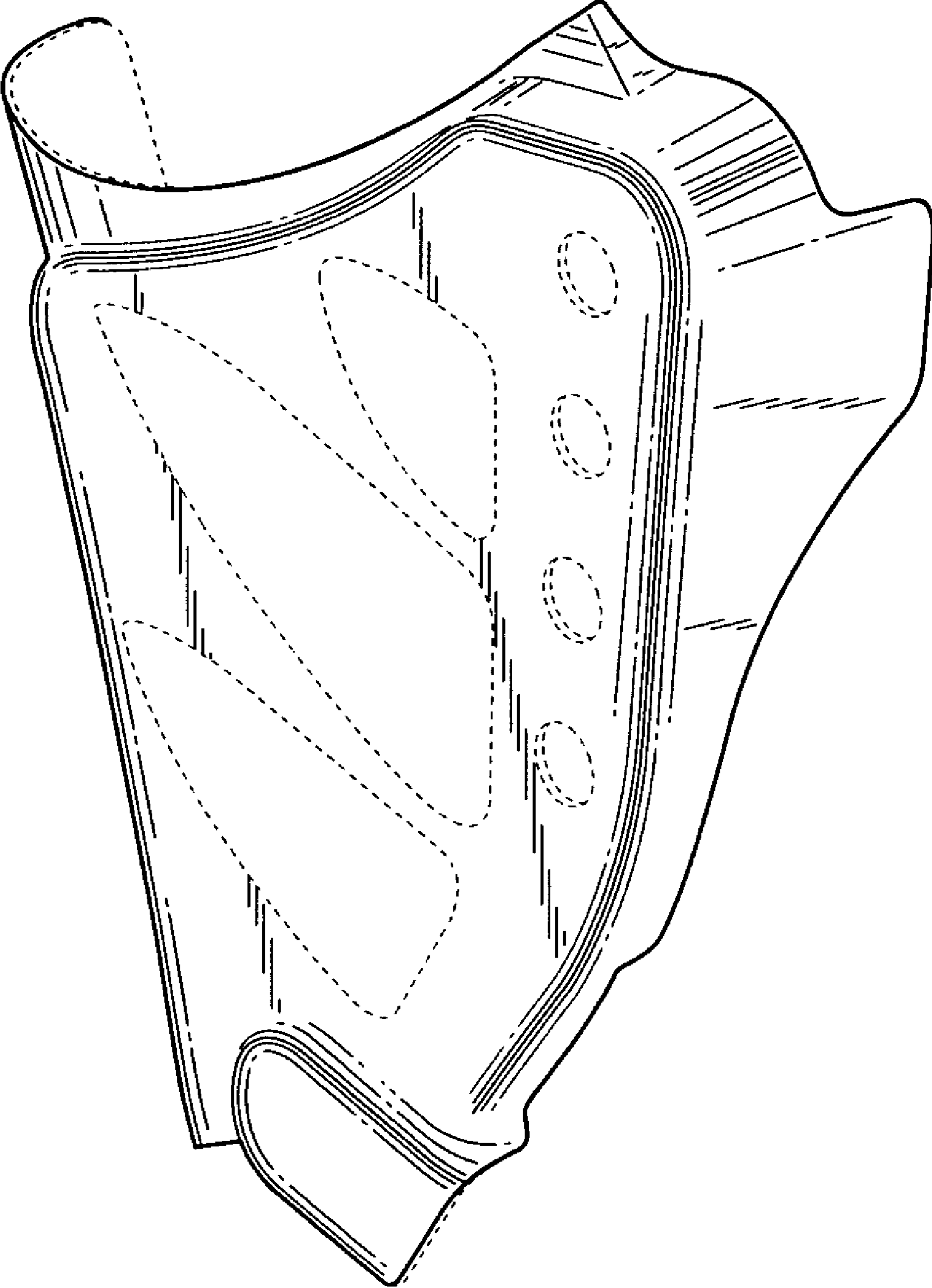


Fig. 1

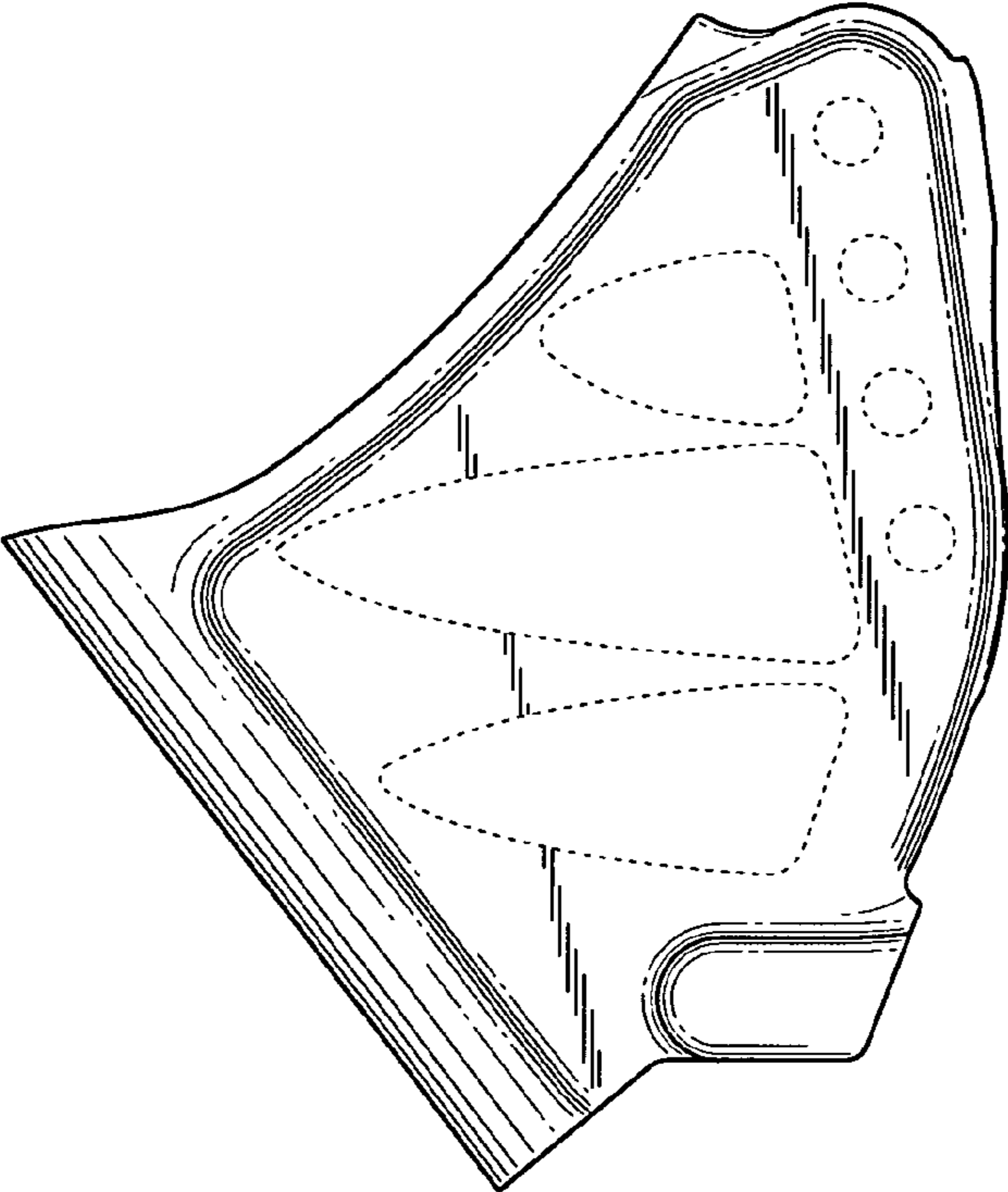


Fig. 2

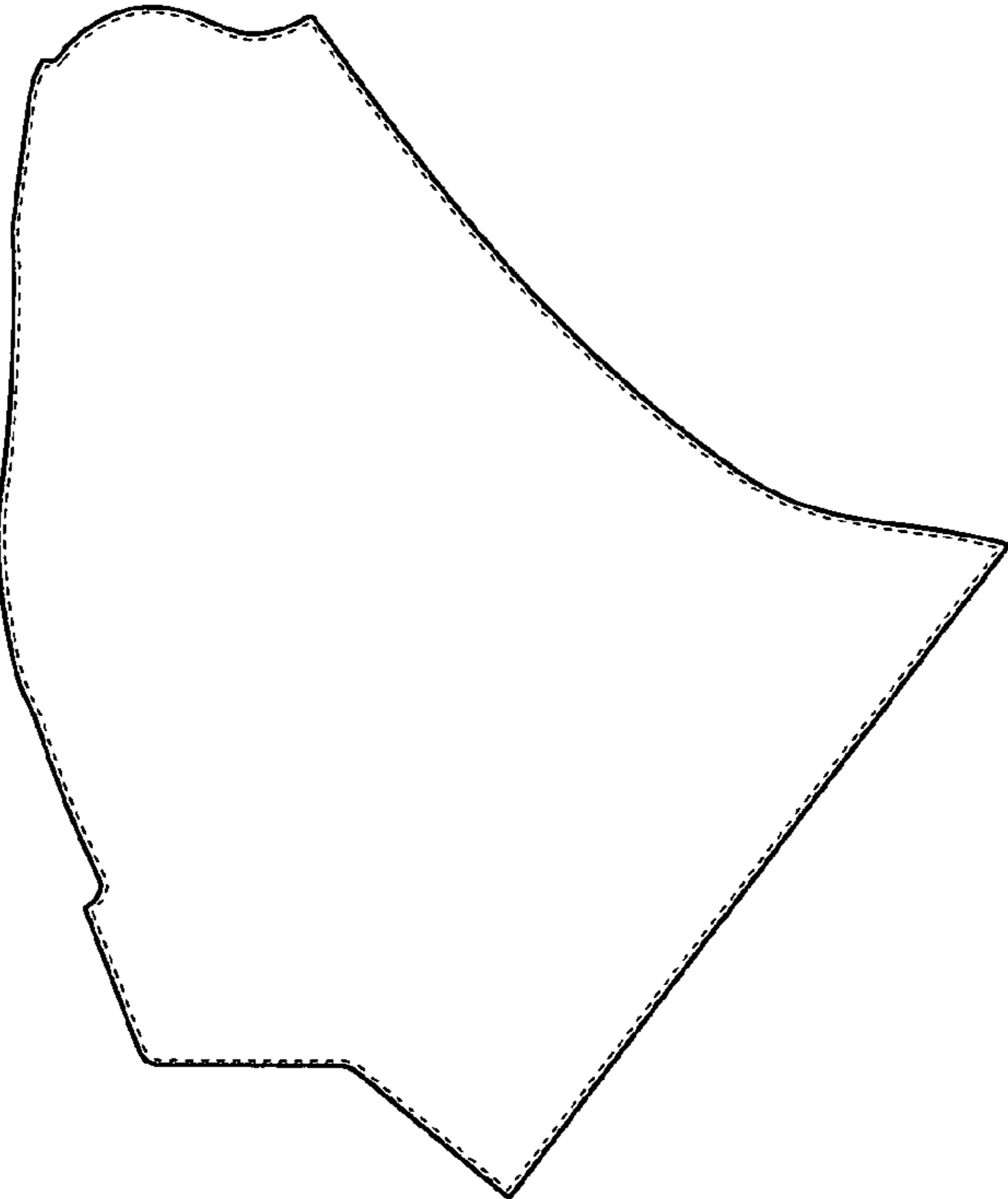


Fig. 3

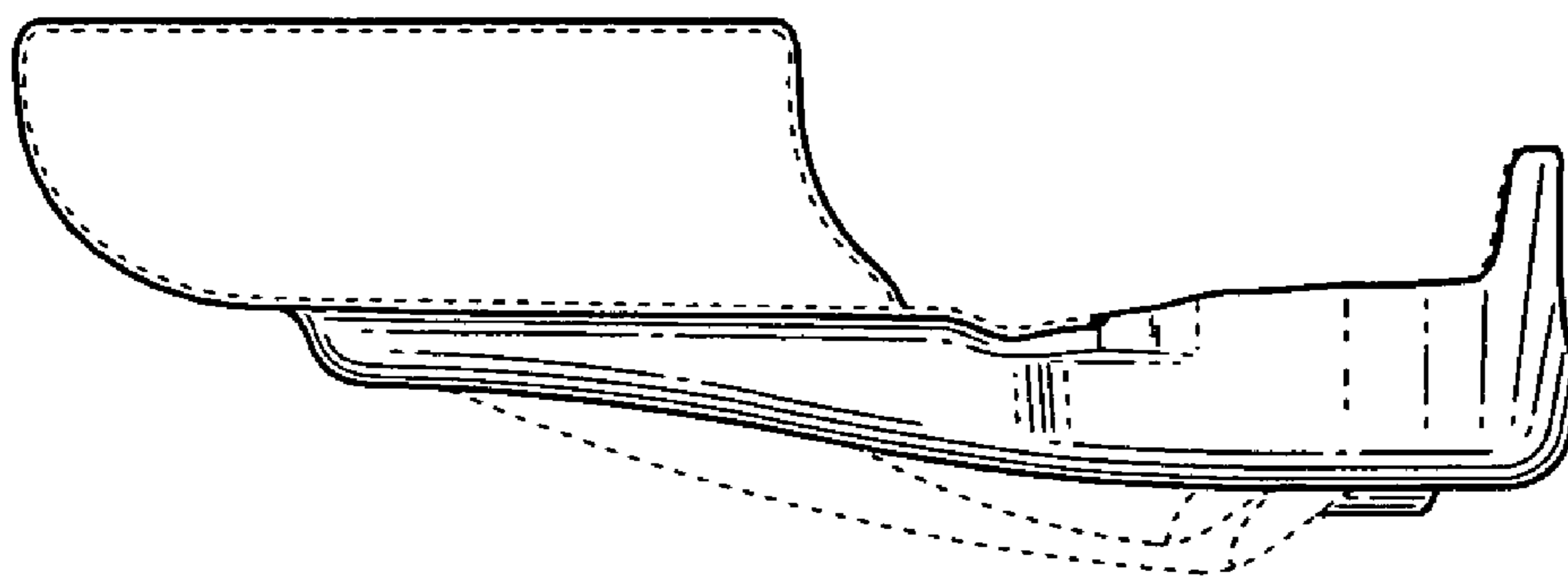


Fig. 4

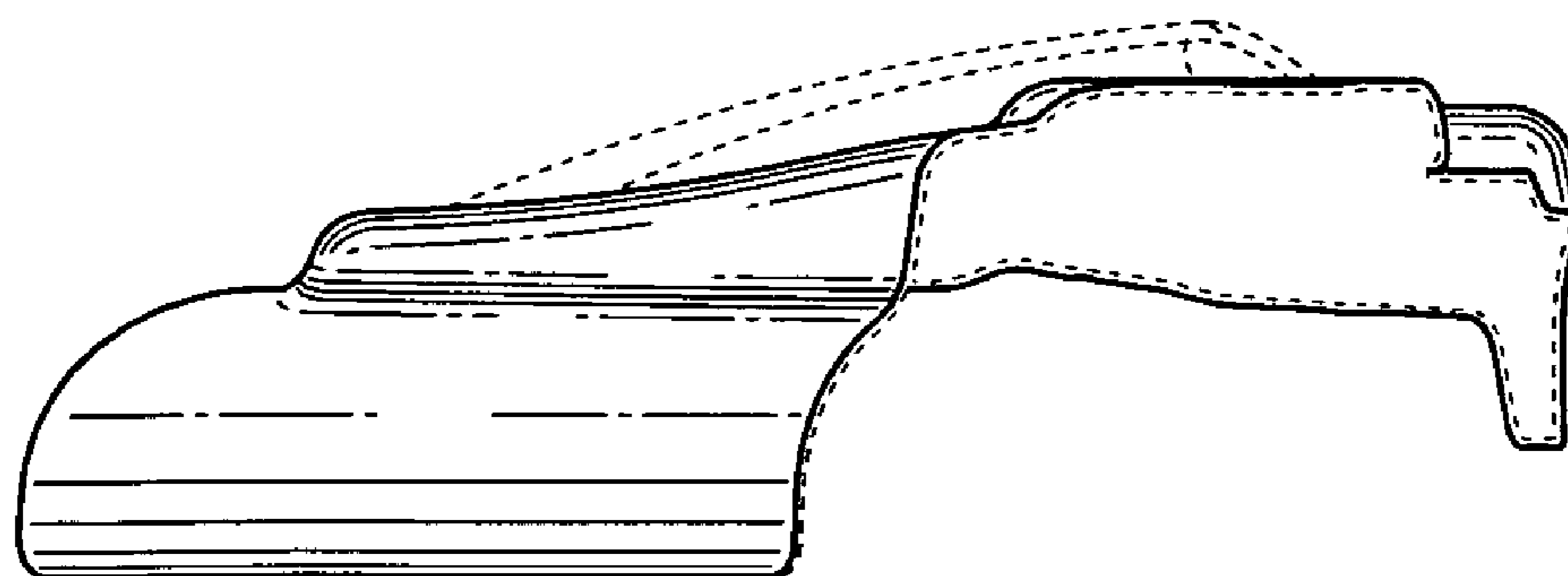


Fig. 5

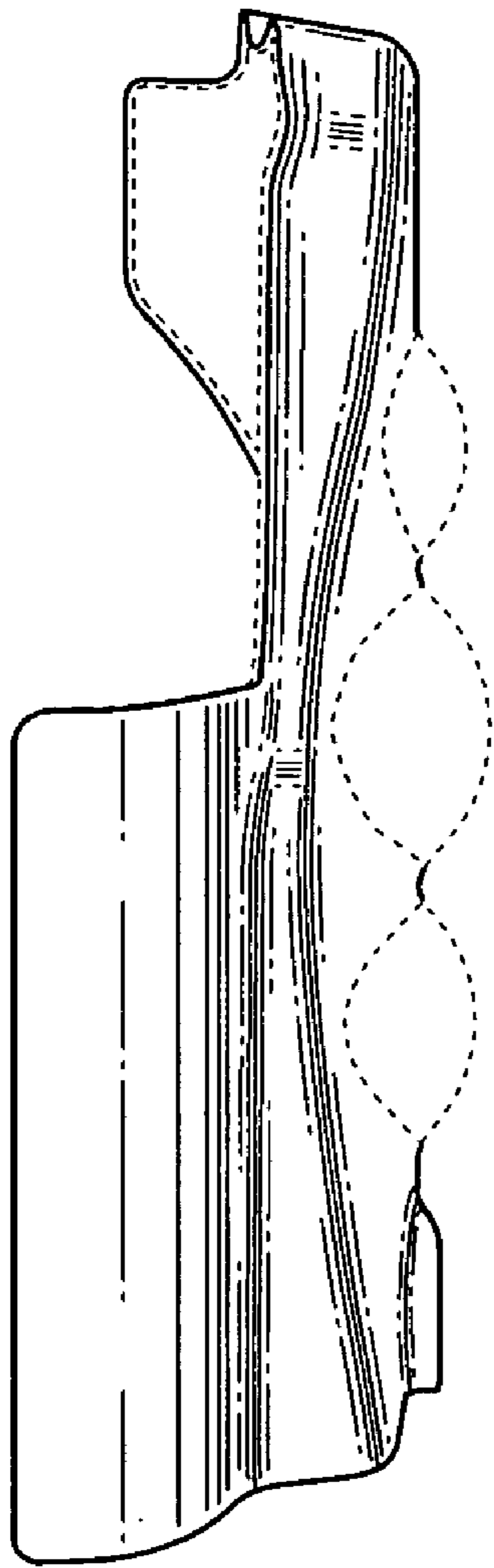


Fig. 6

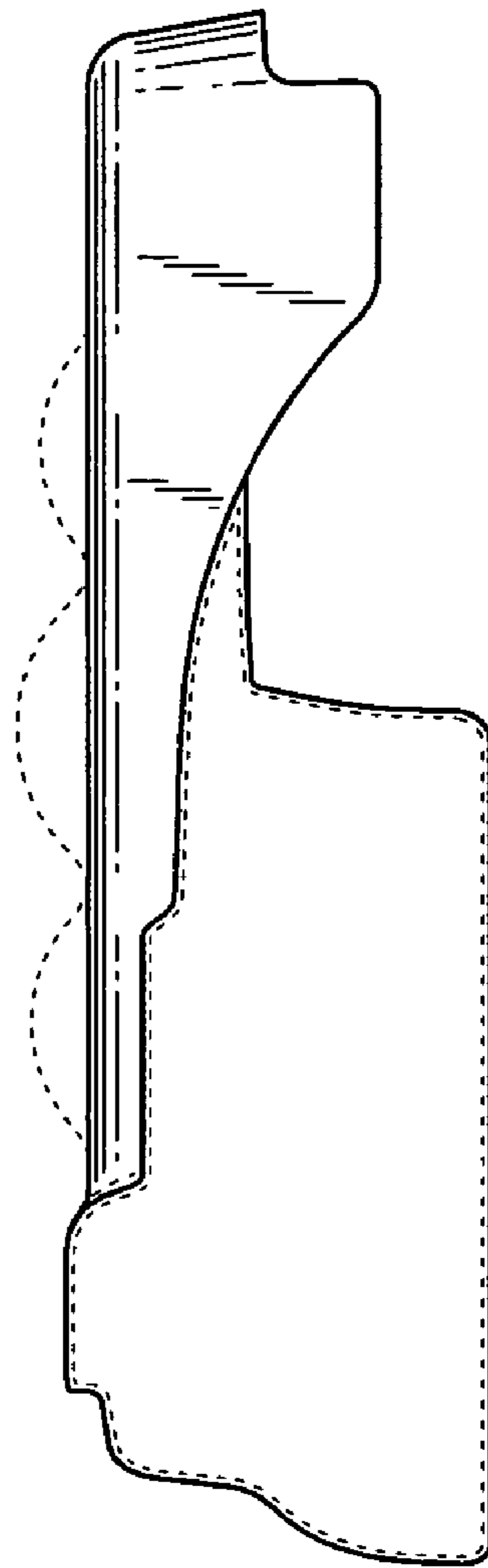


Fig. 7