



US00D594790S

(12) **United States Design Patent**  
**Madden**

(10) **Patent No.:** **US D594,790 S**  
(45) **Date of Patent:** **\*\* Jun. 23, 2009**

(54) **MOTORCYCLE COIL COVER**

(75) Inventor: **Kenneth E. Madden**, Andover, MN  
(US)  
(73) Assignee: **Kuryakyn Holdings, Inc.**, Somerset, WI  
(US)

(\*\*) Term: **14 Years**

(21) Appl. No.: **29/310,456**

(22) Filed: **Aug. 19, 2008**

(51) **LOC (9) Cl.** ..... **12-11**

(52) **U.S. Cl.** ..... **D12/126**

(58) **Field of Classification Search** ..... D12/126,  
D12/110, 114; D13/117-119; 280/288.4,  
280/304.3; 180/219

See application file for complete search history.

(56) **References Cited**

**U.S. PATENT DOCUMENTS**

D294,921 S \* 3/1988 Nagy ..... D12/126  
D346,140 S 4/1994 Rudd et al.  
6,234,265 B1 \* 5/2001 Wollmer ..... 180/219

**OTHER PUBLICATIONS**

2003 Kuryakyn—Accessories for Harley-Davidson Catalog (2 pages).

\* cited by examiner

*Primary Examiner*—Robin V Webster

*Assistant Examiner*—Linda Brooks

(74) *Attorney, Agent, or Firm*—Dicke, Billig & Czaja, PLLC

(57) **CLAIM**

The ornamental design for a motorcycle coil cover, as shown and described.

**DESCRIPTION**

FIG. 1 is a front perspective view of the motorcycle coil cover of the present invention.

FIG. 2 is a front elevation view thereof.

FIG. 3 is a rear elevation view thereof.

FIG. 4 is a top view thereof.

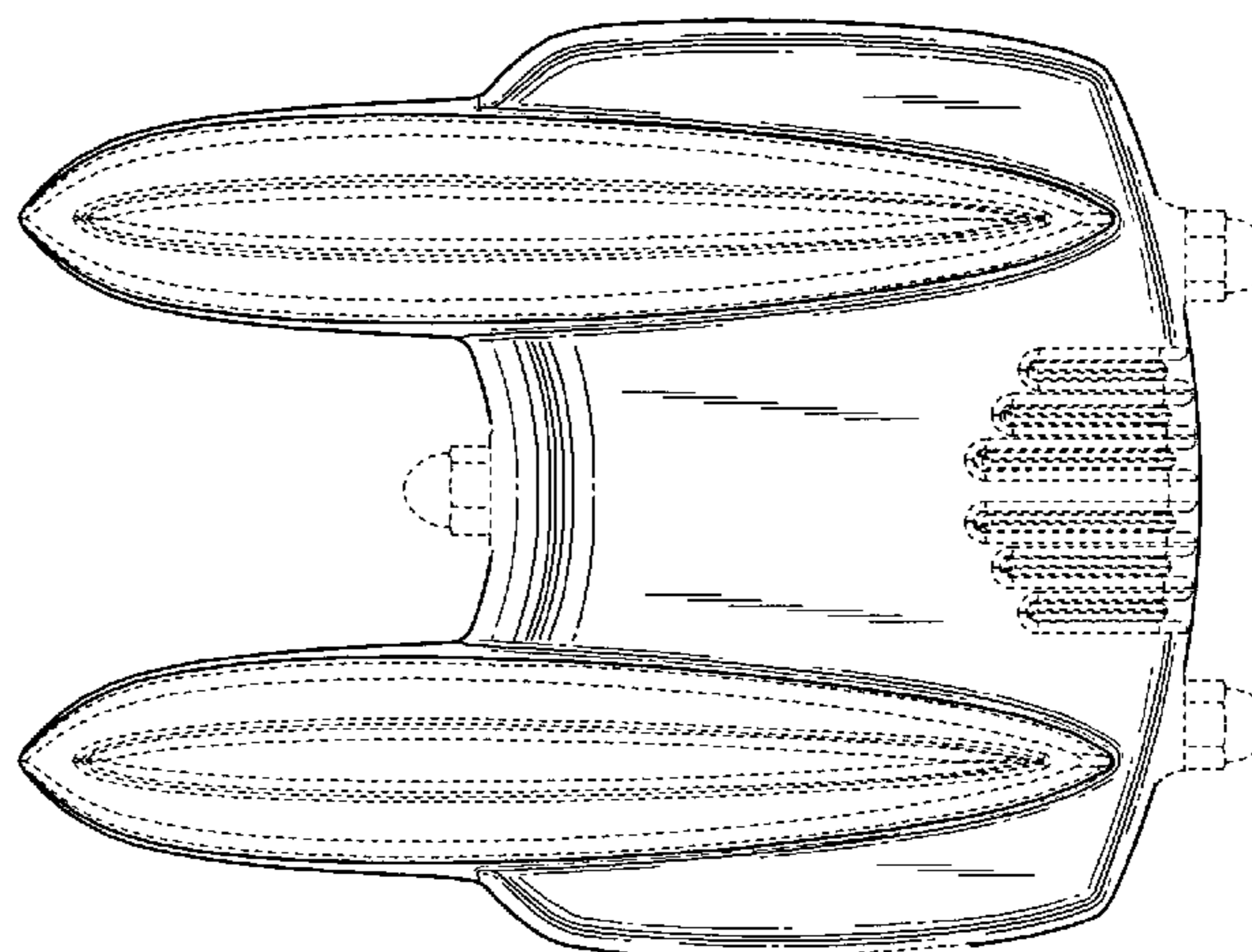
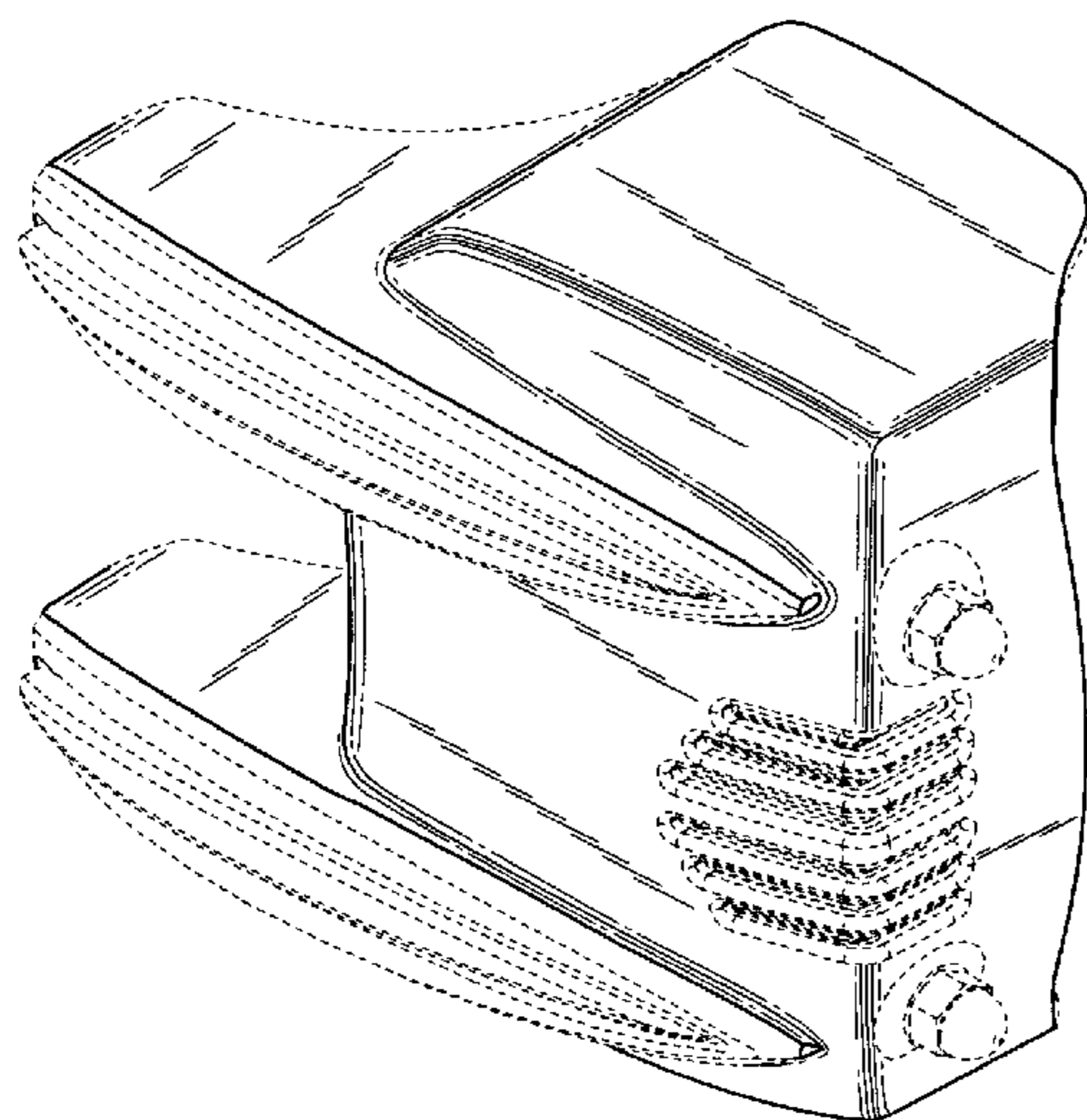
FIG. 5 is a bottom view thereof.

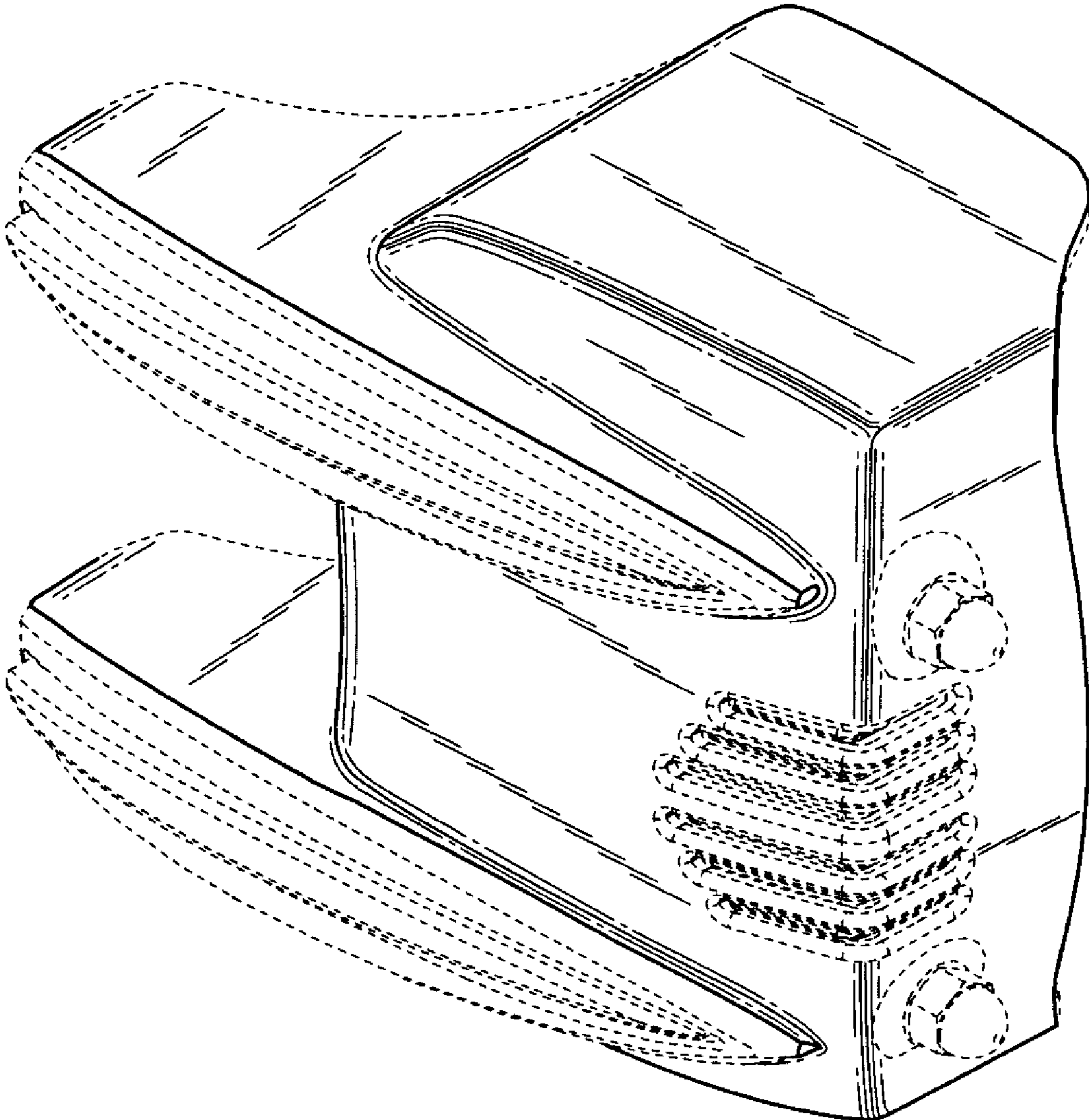
FIG. 6 is a right side view thereof; and,

FIG. 7 is a left side view thereof.

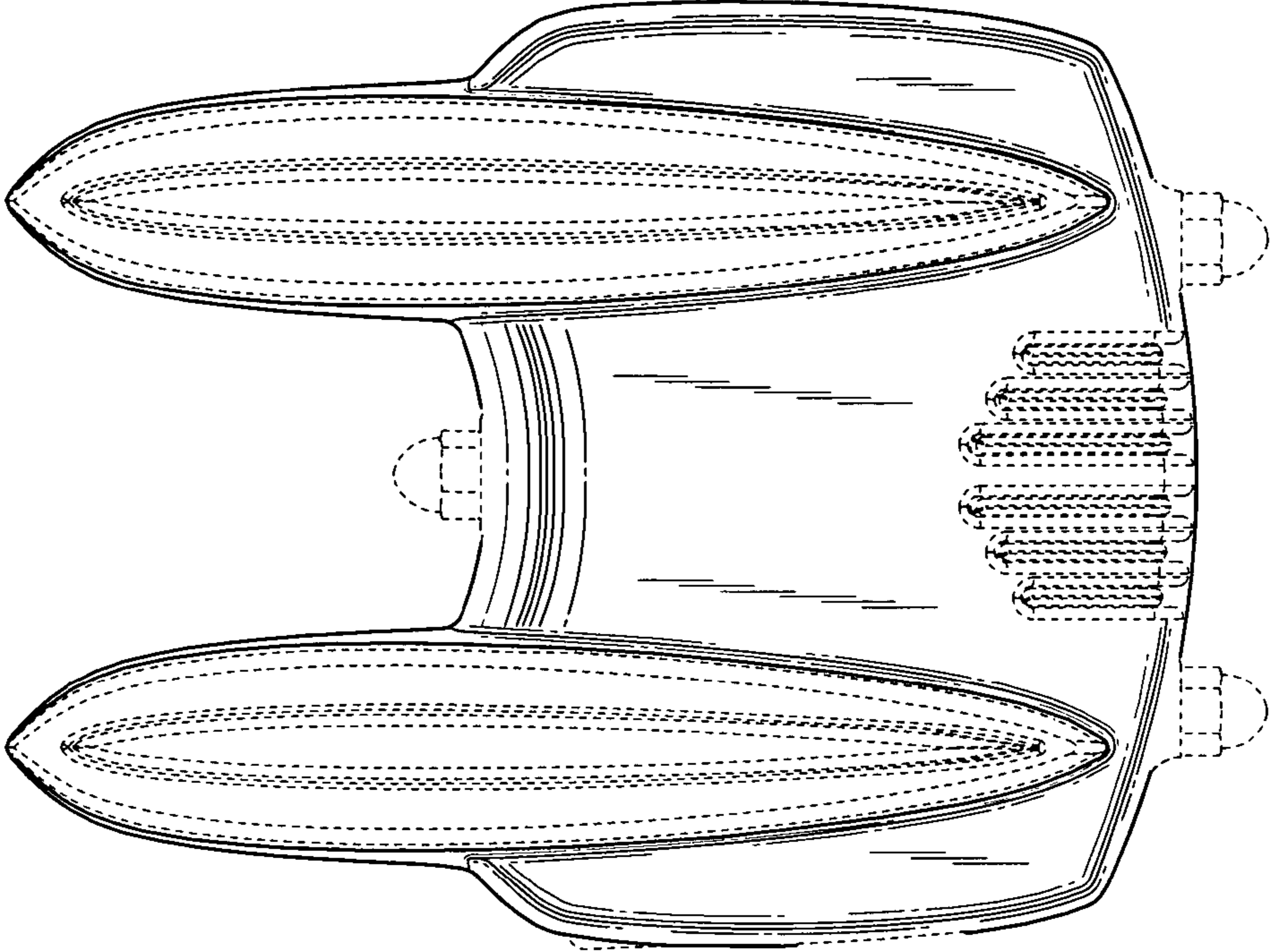
The rear surface, outer surface portions, lower edge portions and connectors of the motorcycle coil cover shown in broken lines form no part of the claimed design.

**1 Claim, 4 Drawing Sheets**

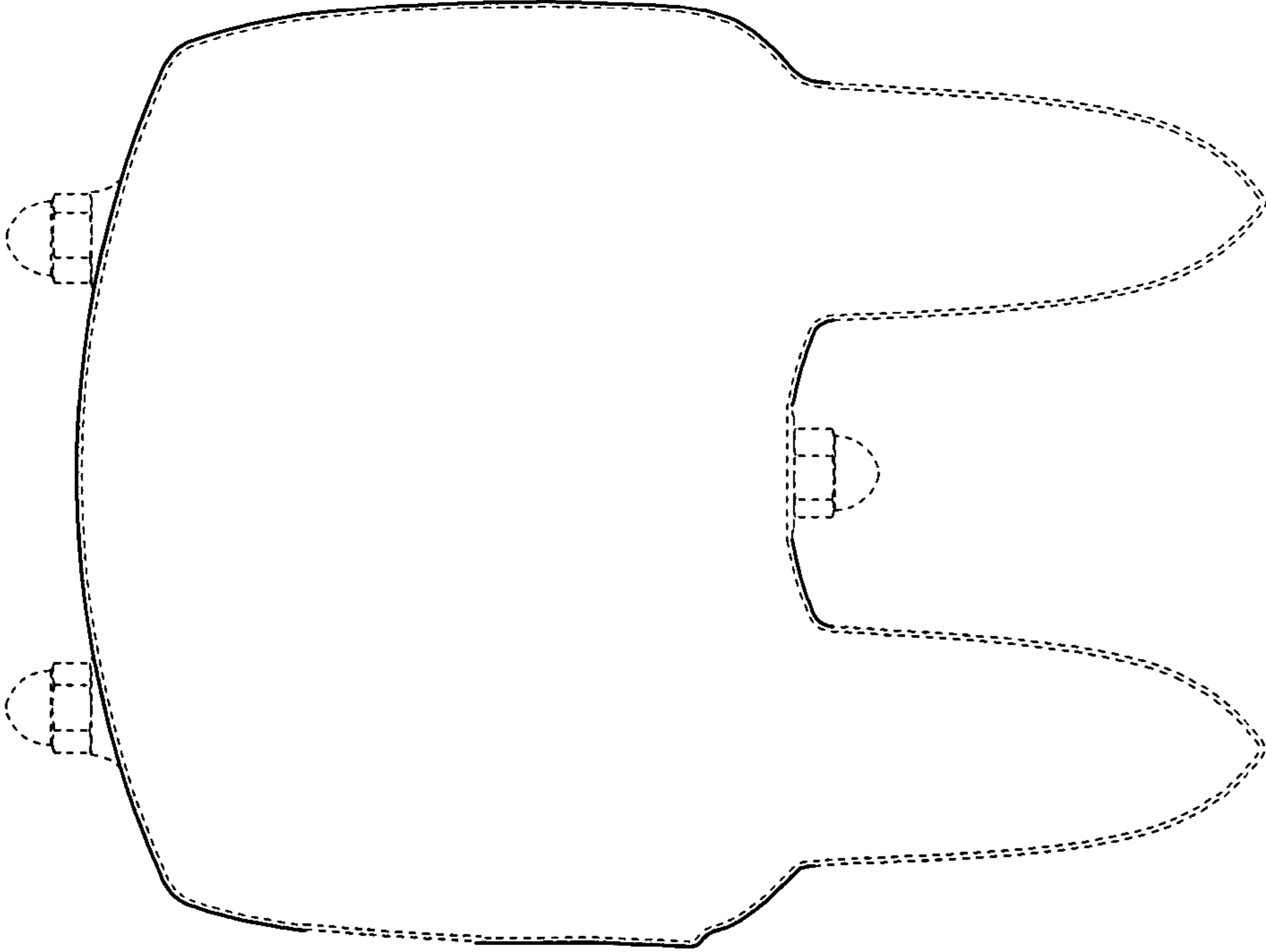




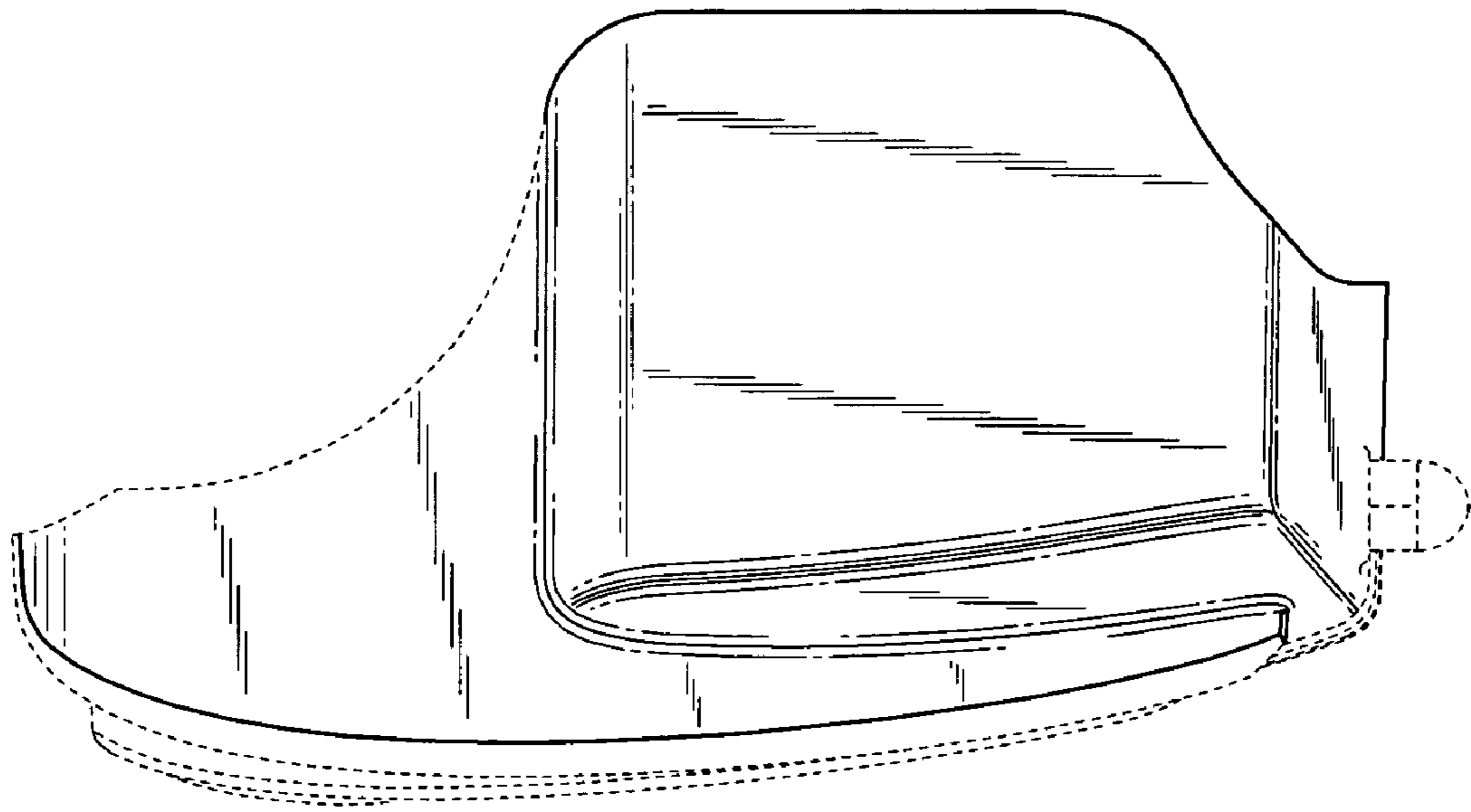
**Fig. 1**



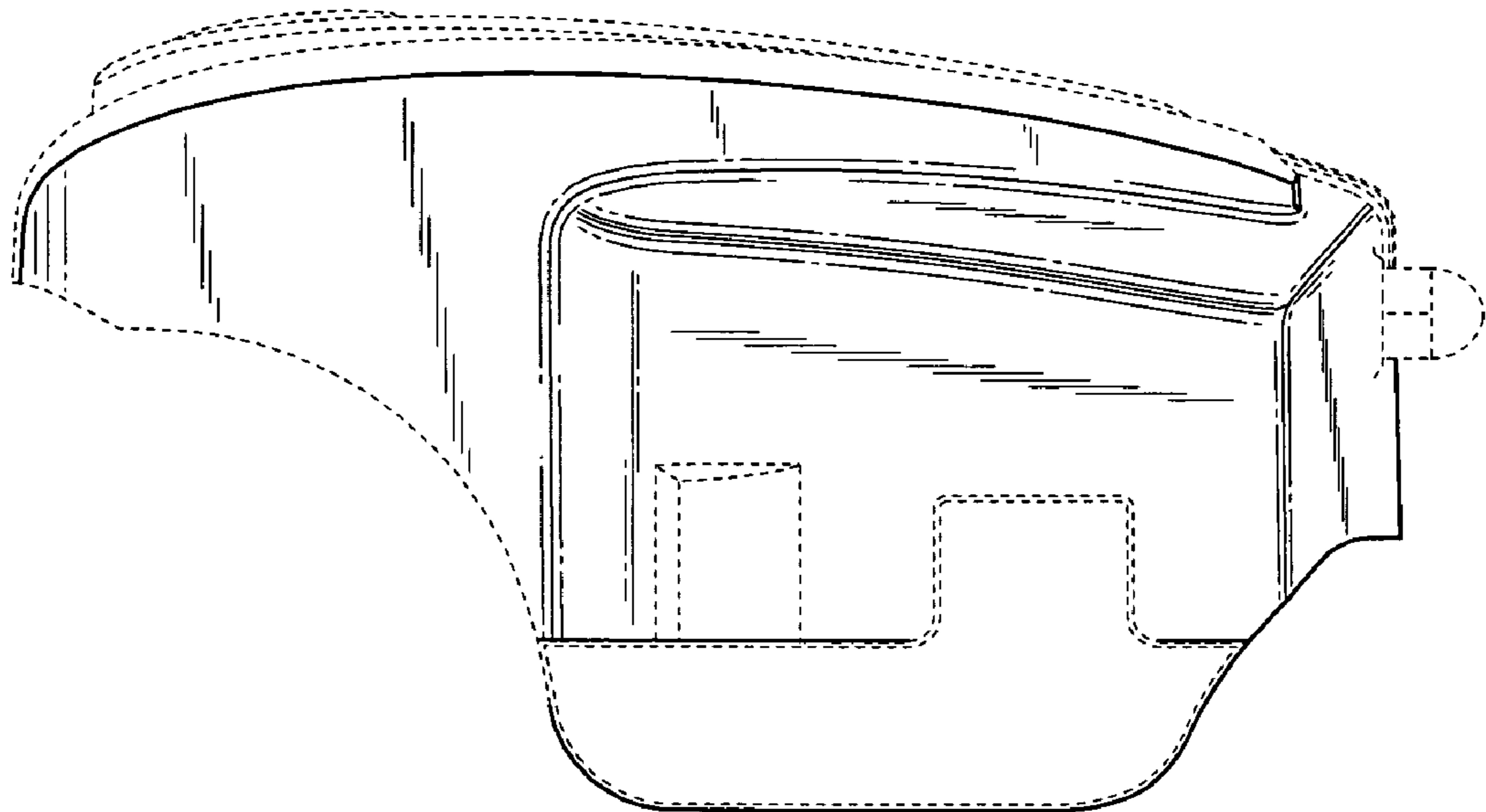
**Fig. 2**



**Fig. 3**

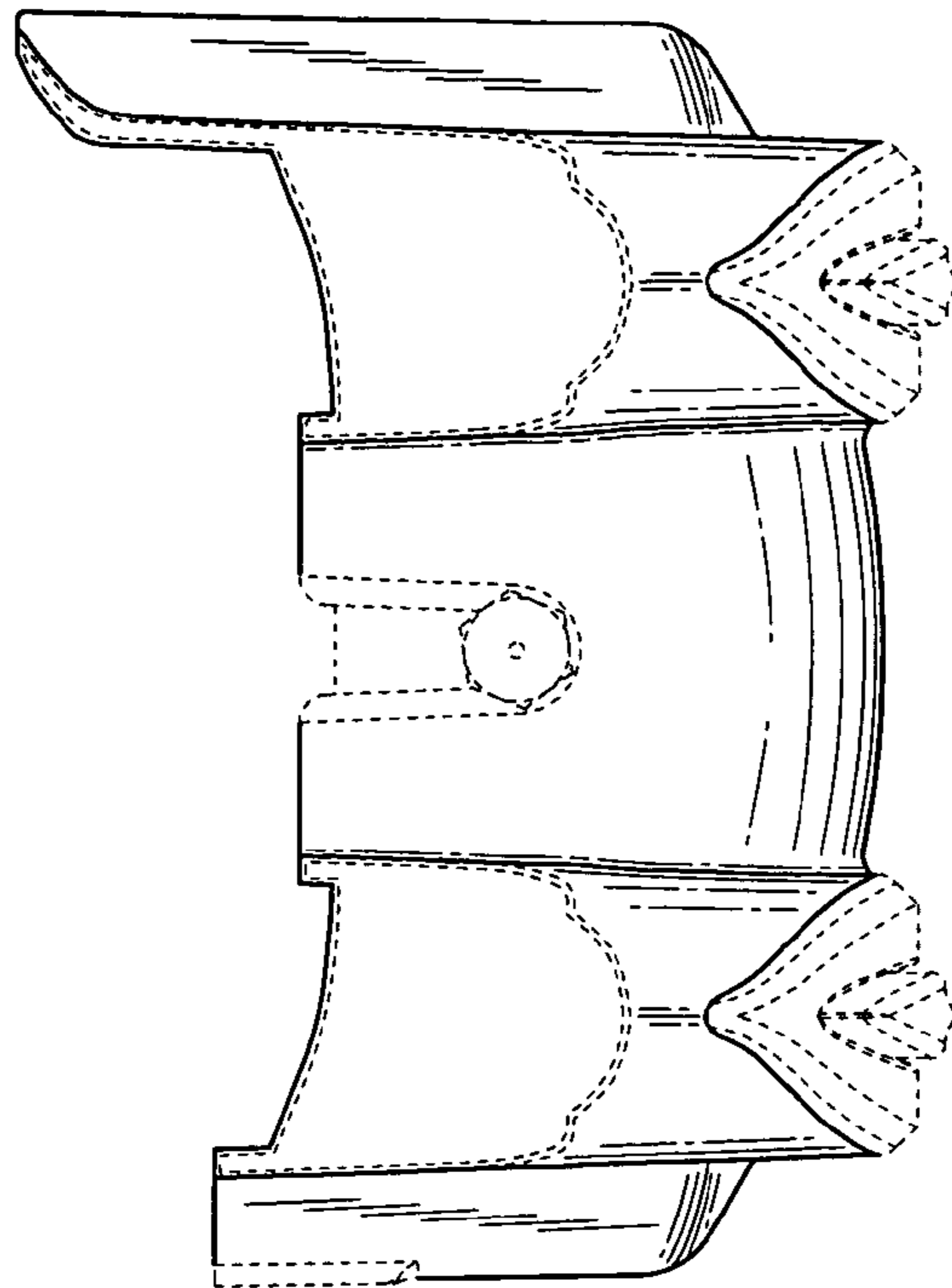


**Fig. 4**

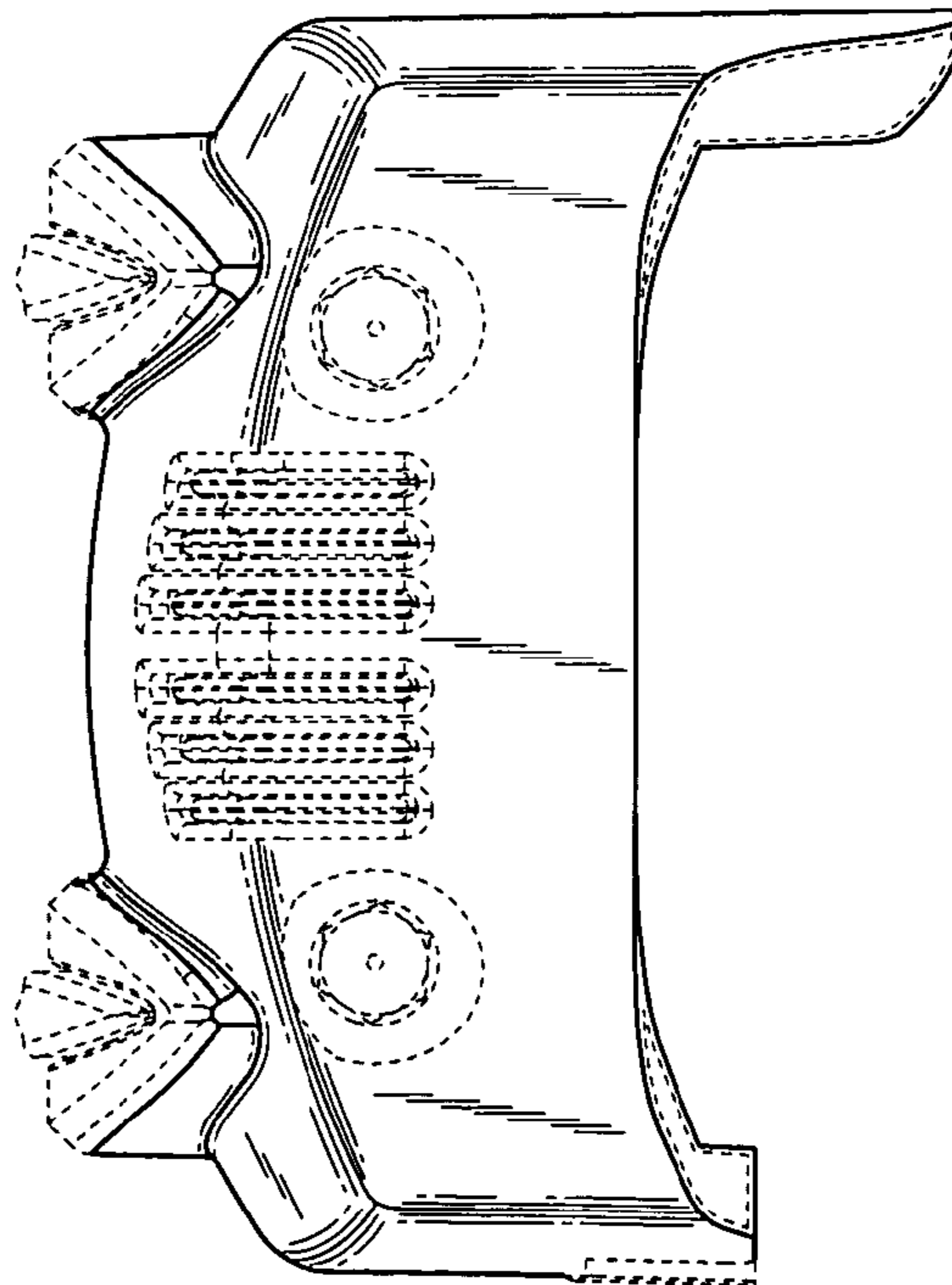


**Fig. 5**





**Fig. 6**



**Fig. 7**