



US00D594788S

(12) **United States Design Patent**  
**Hartlaub et al.**

(10) **Patent No.:** **US D594,788 S**  
(45) **Date of Patent:** **\*\* Jun. 23, 2009**

(54) **TRICYCLE**

6,726,233 B1 \* 4/2004 Li ..... 280/291  
D525,568 S \* 7/2006 Baron ..... D12/112  
D555,045 S \* 11/2007 On ..... D12/112

(75) Inventors: **Charles Hartlaub**, Glendale Heights, IL (US); **Timothy Seckel**, Streamwood, IL (US); **Mark Kurth**, Beverly Shores, IN (US); **Earle Cramer**, Chicago, IL (US); **Jeffrey Bricker**, Chicago, IL (US)

\* cited by examiner

*Primary Examiner*—Robin V Webster  
*Assistant Examiner*—Linda Brooks

(73) Assignee: **Radio Flyer Inc.**, Chicago, IL (US)

(74) *Attorney, Agent, or Firm*—DLA Piper LLP (US); R. Blake Johnston

(\*\*) Term: **14 Years**

(57) **CLAIM**

(21) Appl. No.: **29/320,876**

The ornamental design for a tricycle, as shown and described.

(22) Filed: **Jul. 7, 2008**

**DESCRIPTION**

(51) **LOC (9) Cl.** ..... **12-11**  
(52) **U.S. Cl.** ..... **D12/113**  
(58) **Field of Classification Search** ..... D12/112,  
D12/113; D21/432, 435, 538; 280/202,  
280/282, 259, 263, 270, 293, 304.5, 288.1–288.4,  
280/281.1; 446/440, 465, 470, 471  
See application file for complete search history.

FIG. 1 is a front perspective view of the tricycle;  
FIG. 2 is a rear elevational view of the tricycle;  
FIG. 3 is a front elevational view of the tricycle;  
FIG. 4 is a top plan view of the tricycle;  
FIG. 5 is a bottom plan view of the tricycle;  
FIG. 6 is a left side elevational view of the tricycle; and,  
FIG. 7 is a right side elevational view of the tricycle.

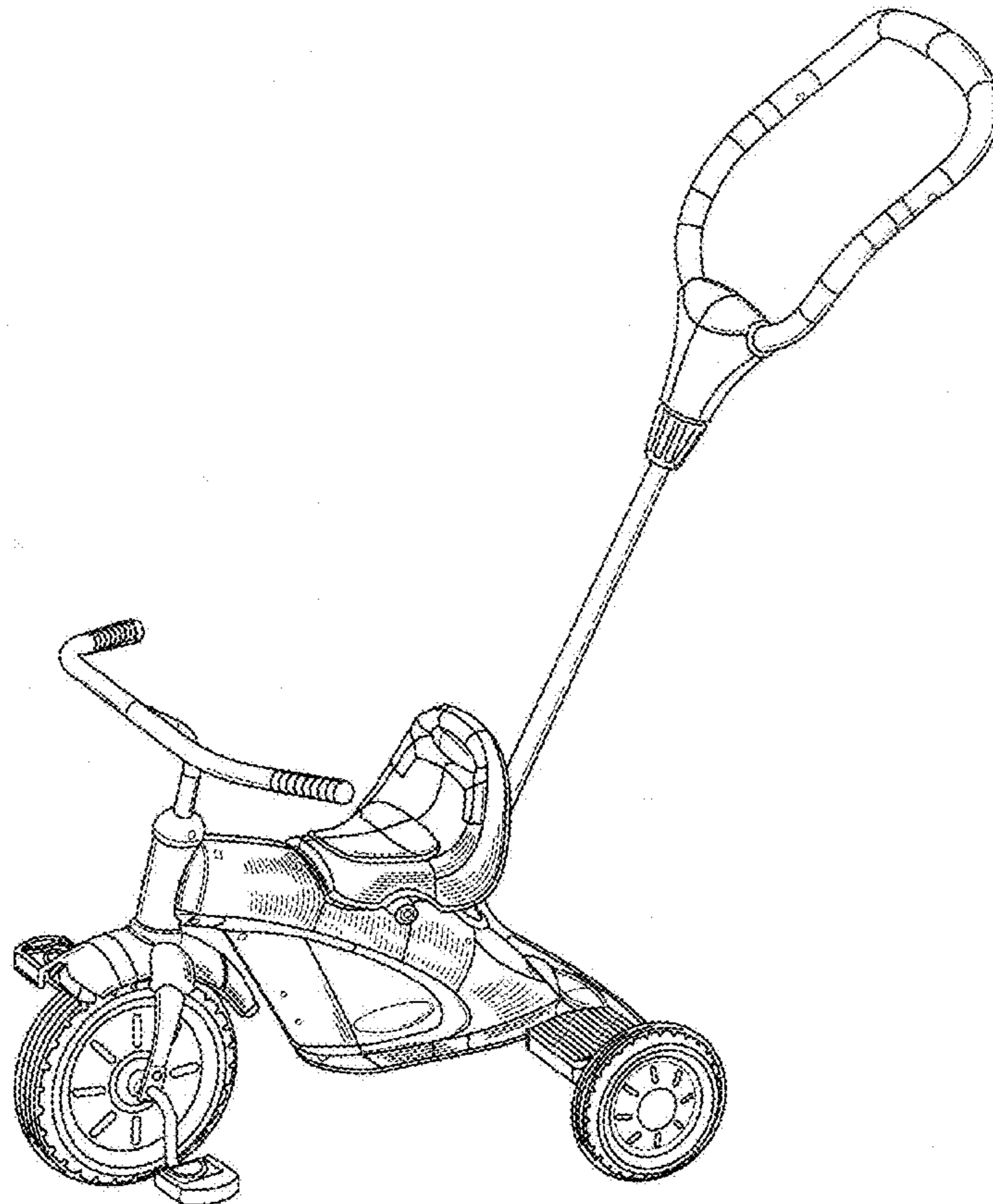
The portions shown in broken lines form no part of the claimed design.

(56) **References Cited**

**U.S. PATENT DOCUMENTS**

D355,870 S \* 2/1995 Dieudonne ..... D12/112  
D427,112 S \* 6/2000 Chaudeurge ..... D12/112  
6,685,207 B1 \* 2/2004 Blake ..... 280/282

**1 Claim, 5 Drawing Sheets**



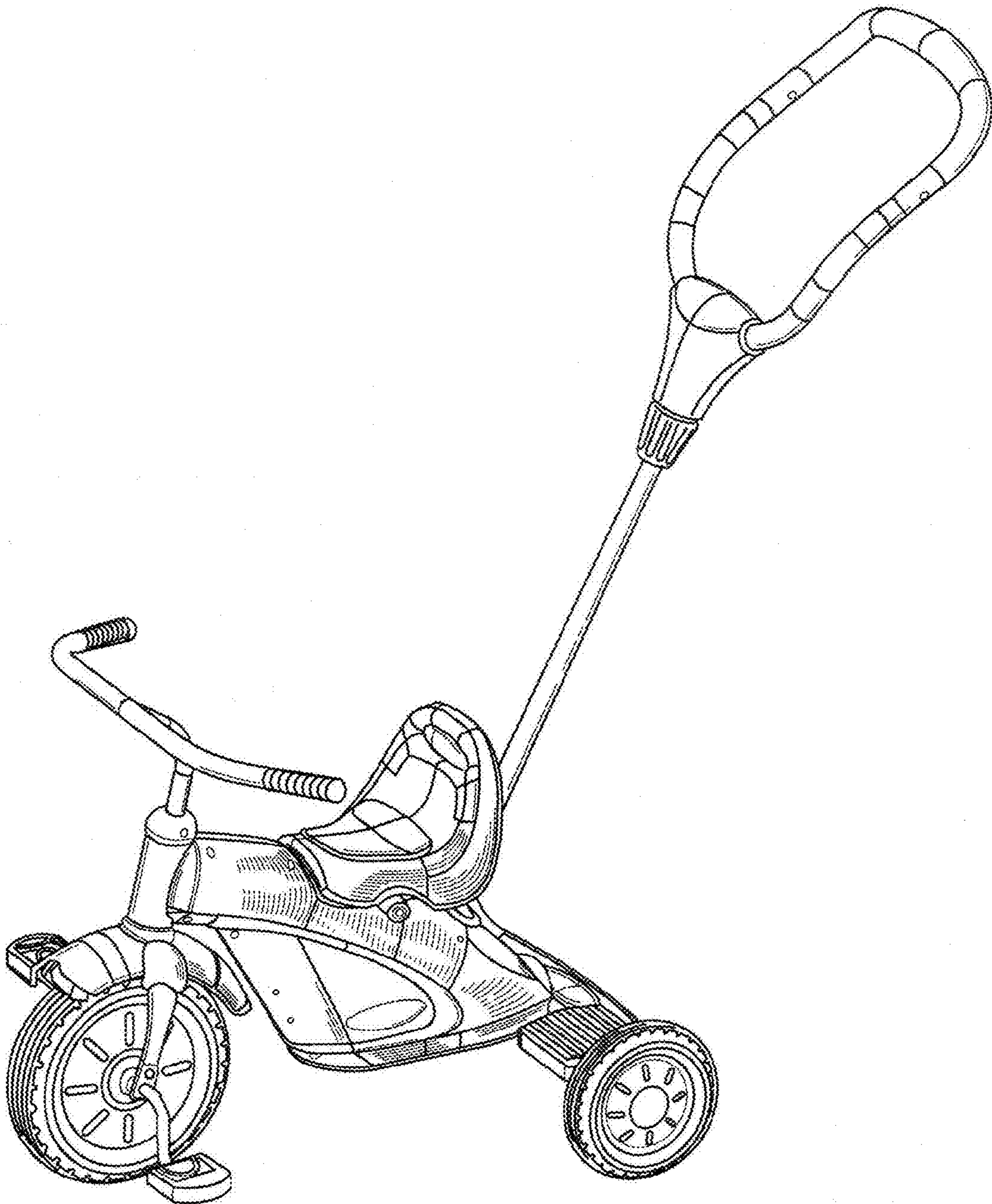


FIG. 1

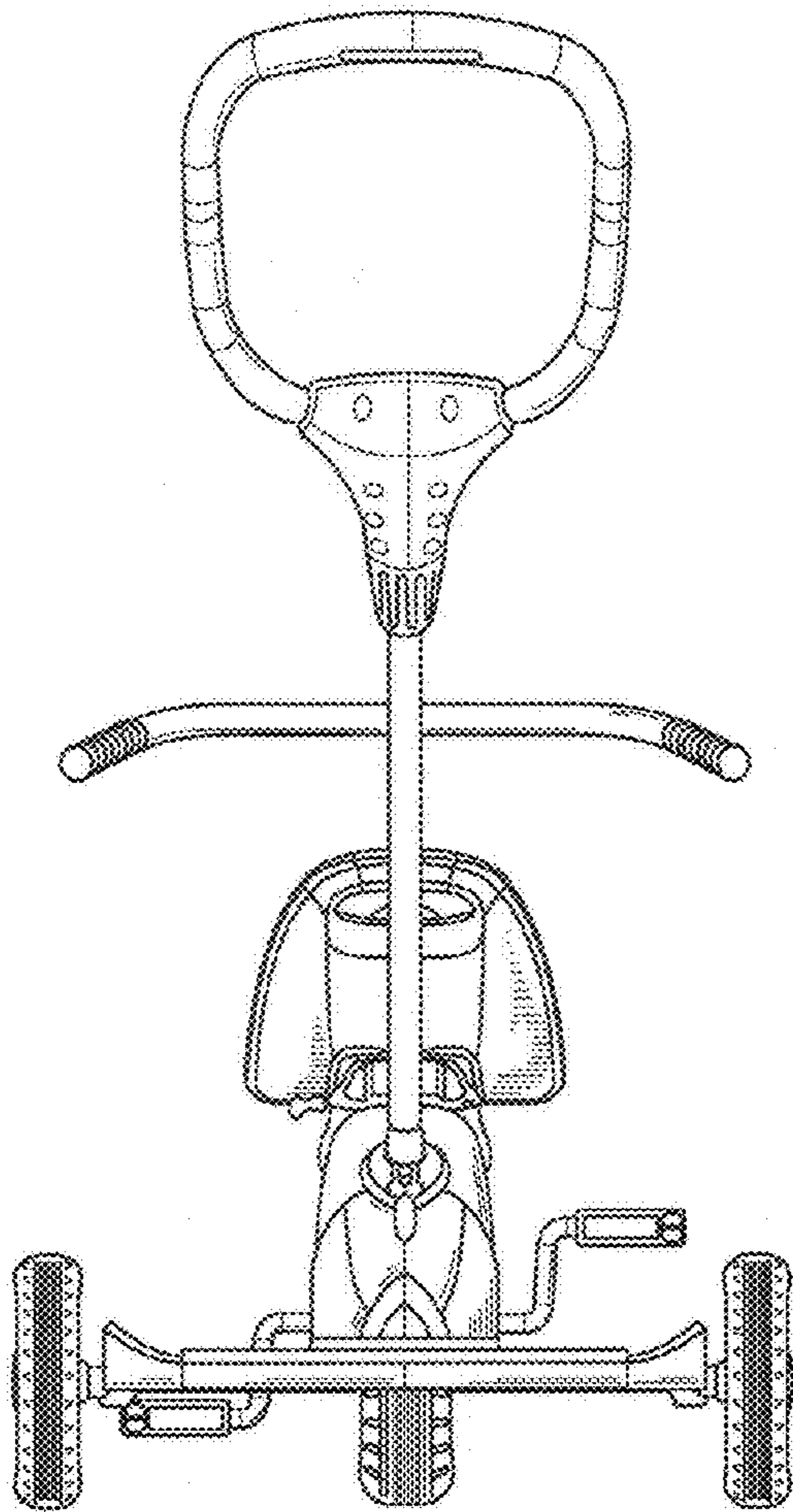


FIG. 2

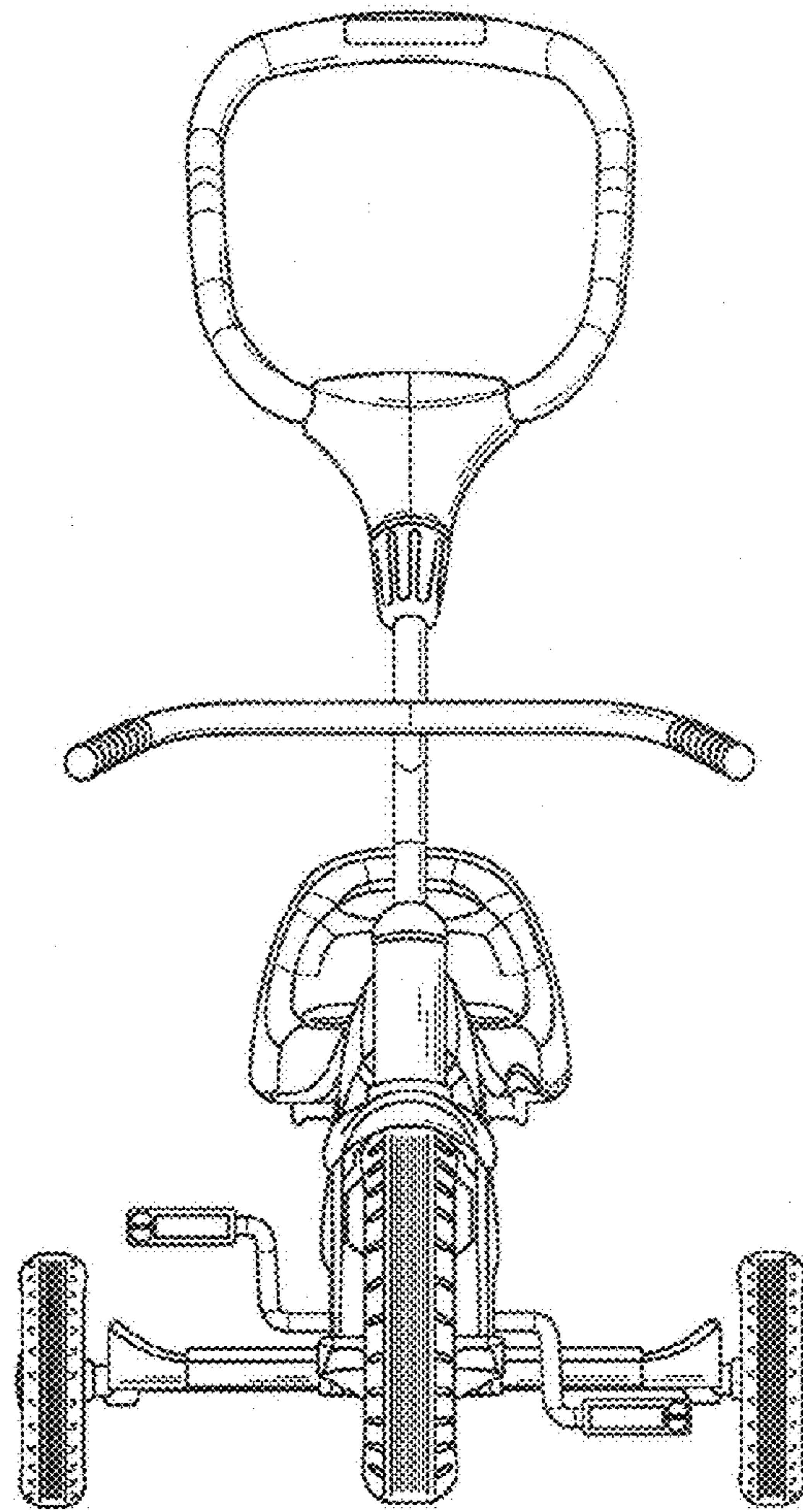


FIG. 3

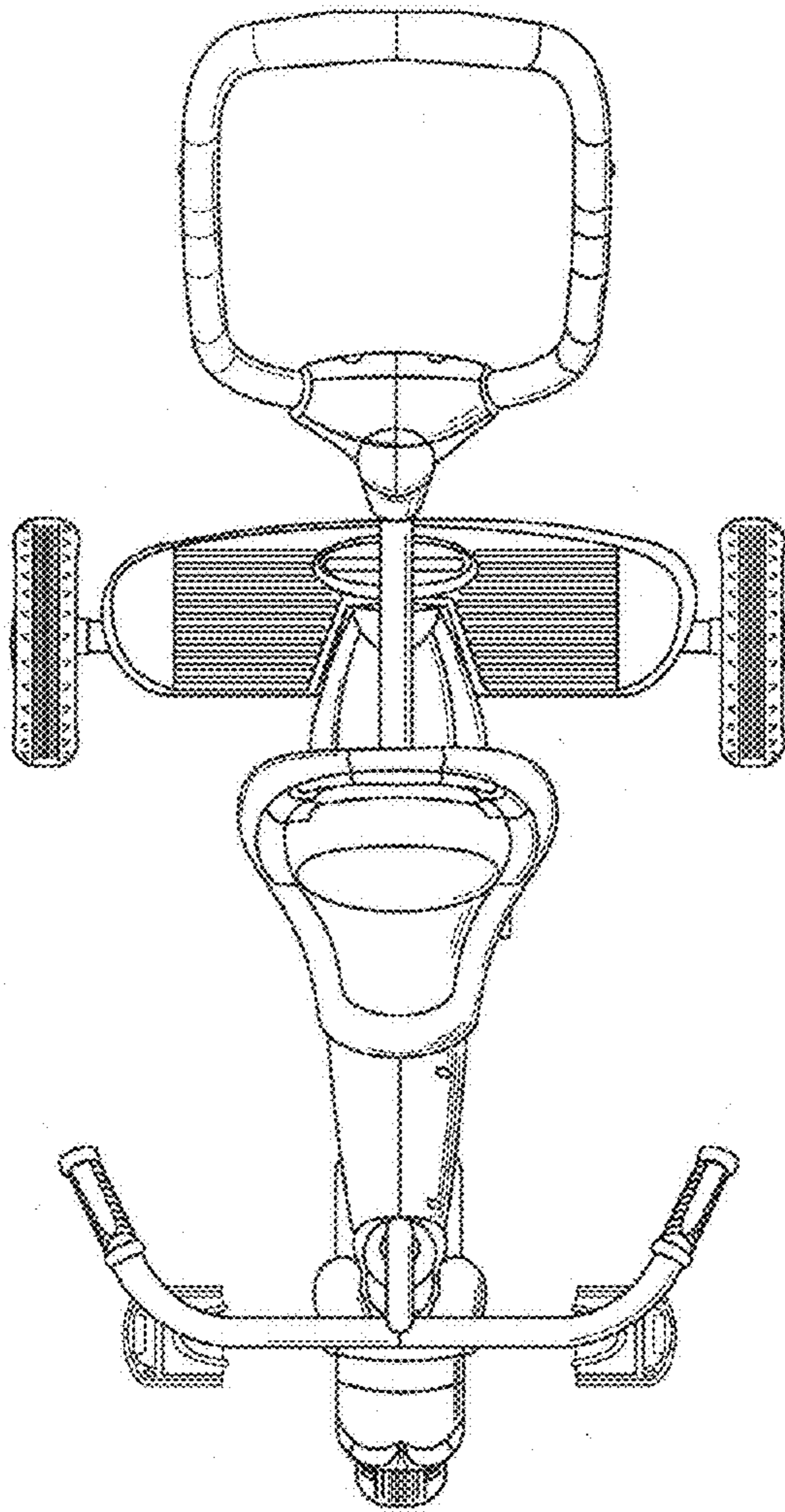


FIG. 4

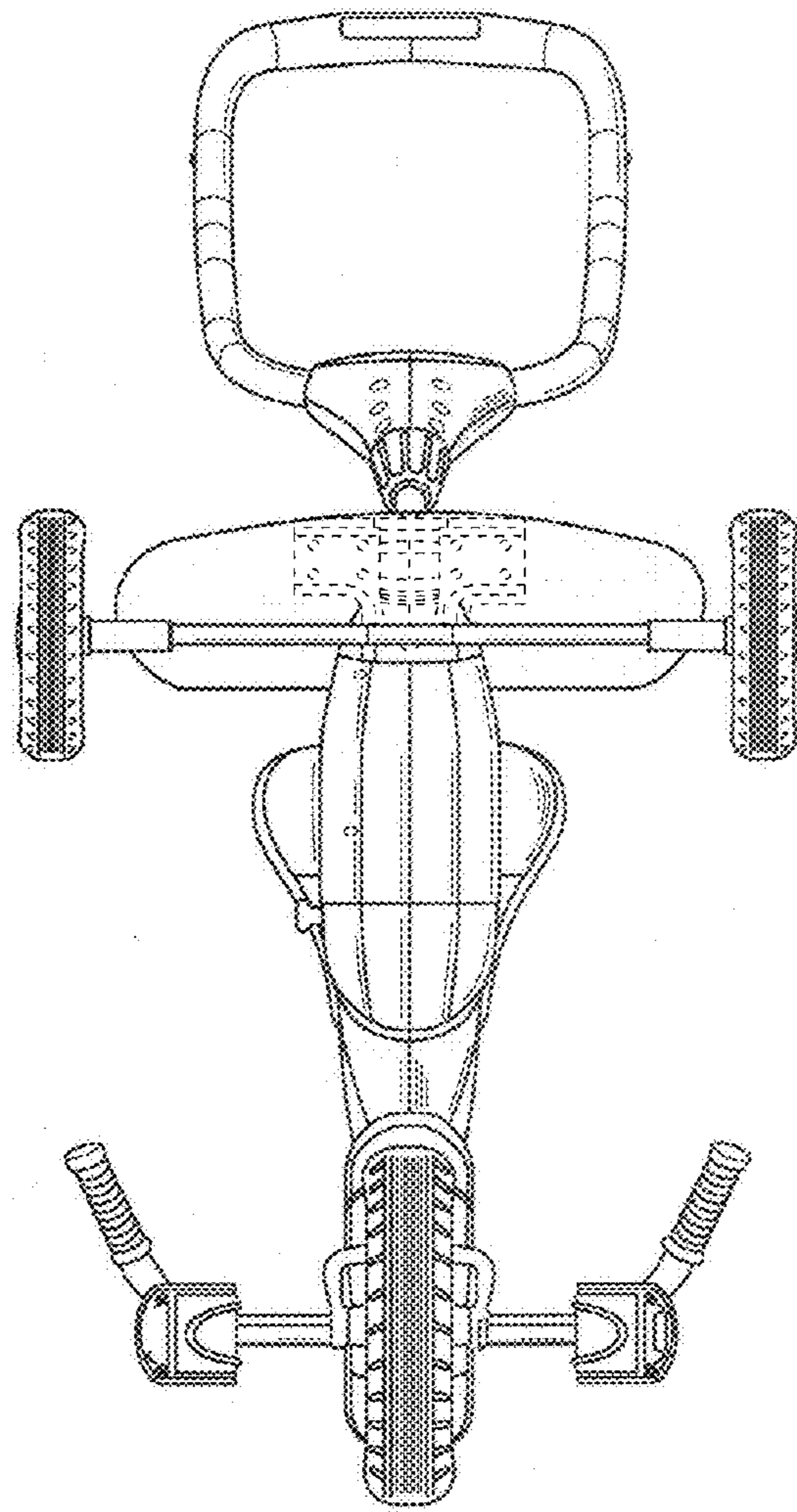


FIG. 5

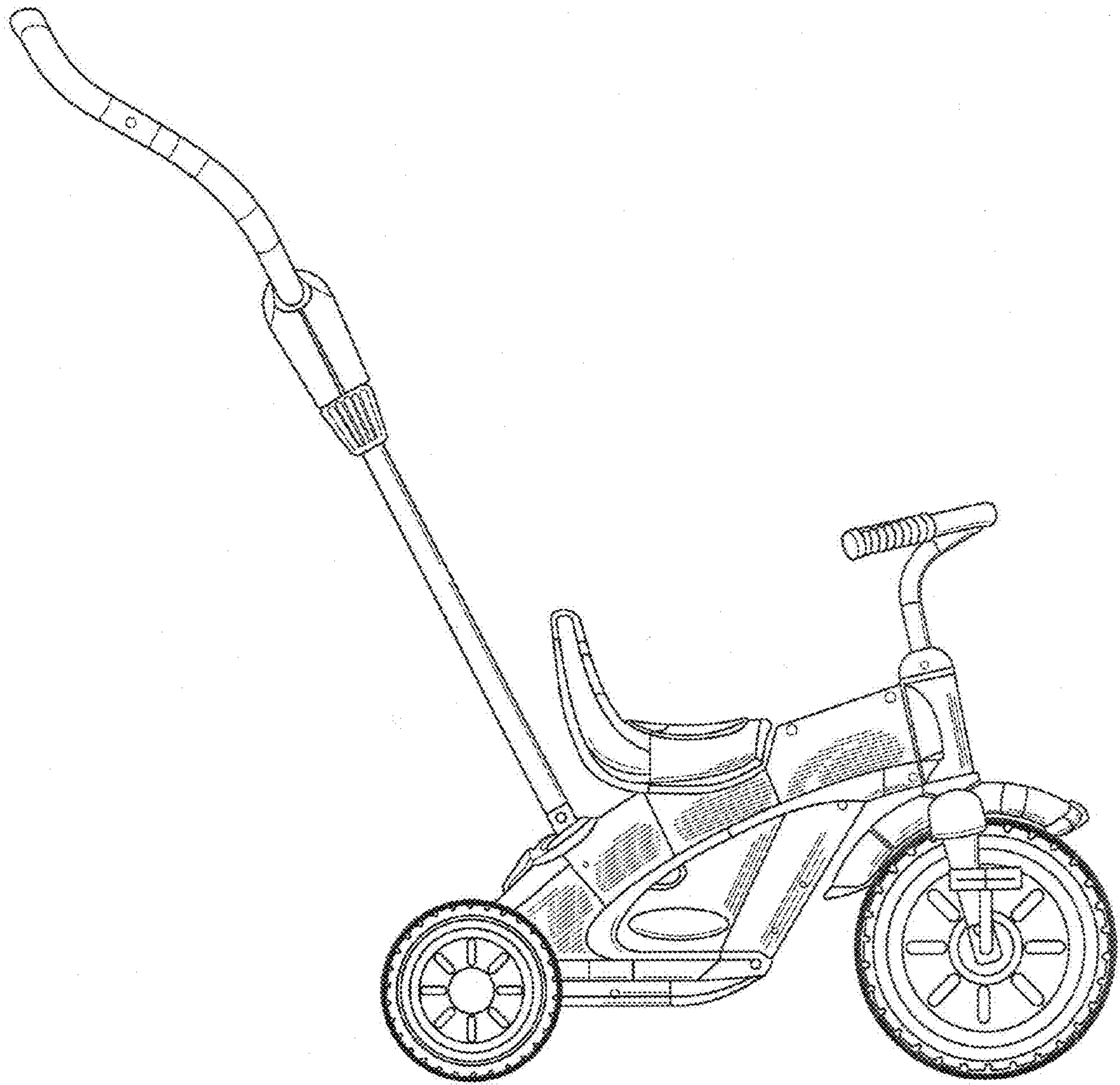


FIG. 6

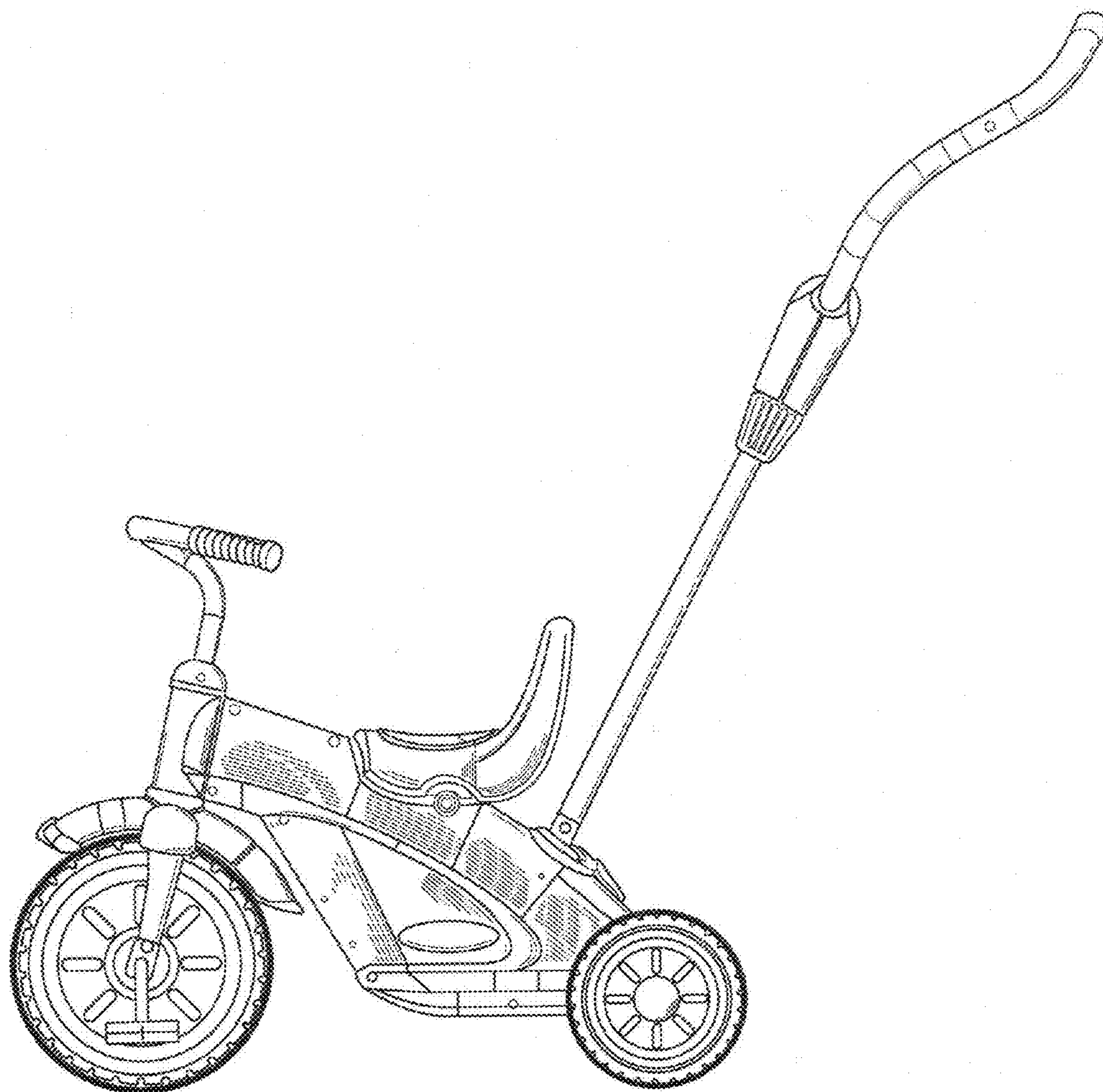


FIG. 7