



US00D594786S

(12) **United States Design Patent**
Sakata

(10) **Patent No.:** **US D594,786 S**

(45) **Date of Patent:** **** Jun. 23, 2009**

(54) **MOTORCYCLE**

D581,839 S * 12/2008 Sasanami D12/110

(75) Inventor: **Isao Sakata**, Tokyo-to (JP)

* cited by examiner

(73) Assignee: **Yamaha Hatsudoki Kabushiki Kaisha**
(JP)

Primary Examiner—Robin V Webster

Assistant Examiner—Linda Brooks

(**) Term: **14 Years**

(74) *Attorney, Agent, or Firm*—Ostrolenk, Faber, Gerb & Soffen, LLP

(21) Appl. No.: **29/323,769**

(57) **CLAIM**

(22) Filed: **Aug. 29, 2008**

The ornamental design for a motorcycle, as shown and described.

(51) **LOC (9) Cl.** **12-11**

(52) **U.S. Cl.** **D12/110**

(58) **Field of Classification Search** D12/110;
180/219, 220, 225, 229

See application file for complete search history.

DESCRIPTION

FIG. 1 is a right side, front perspective view of my new design;

FIG. 2 is a left side, rear perspective view thereof;

FIG. 3 is a right side view thereof;

FIG. 4 is a left side view thereof;

FIG. 5 is a front view thereof;

FIG. 6 is a rear view thereof; and,

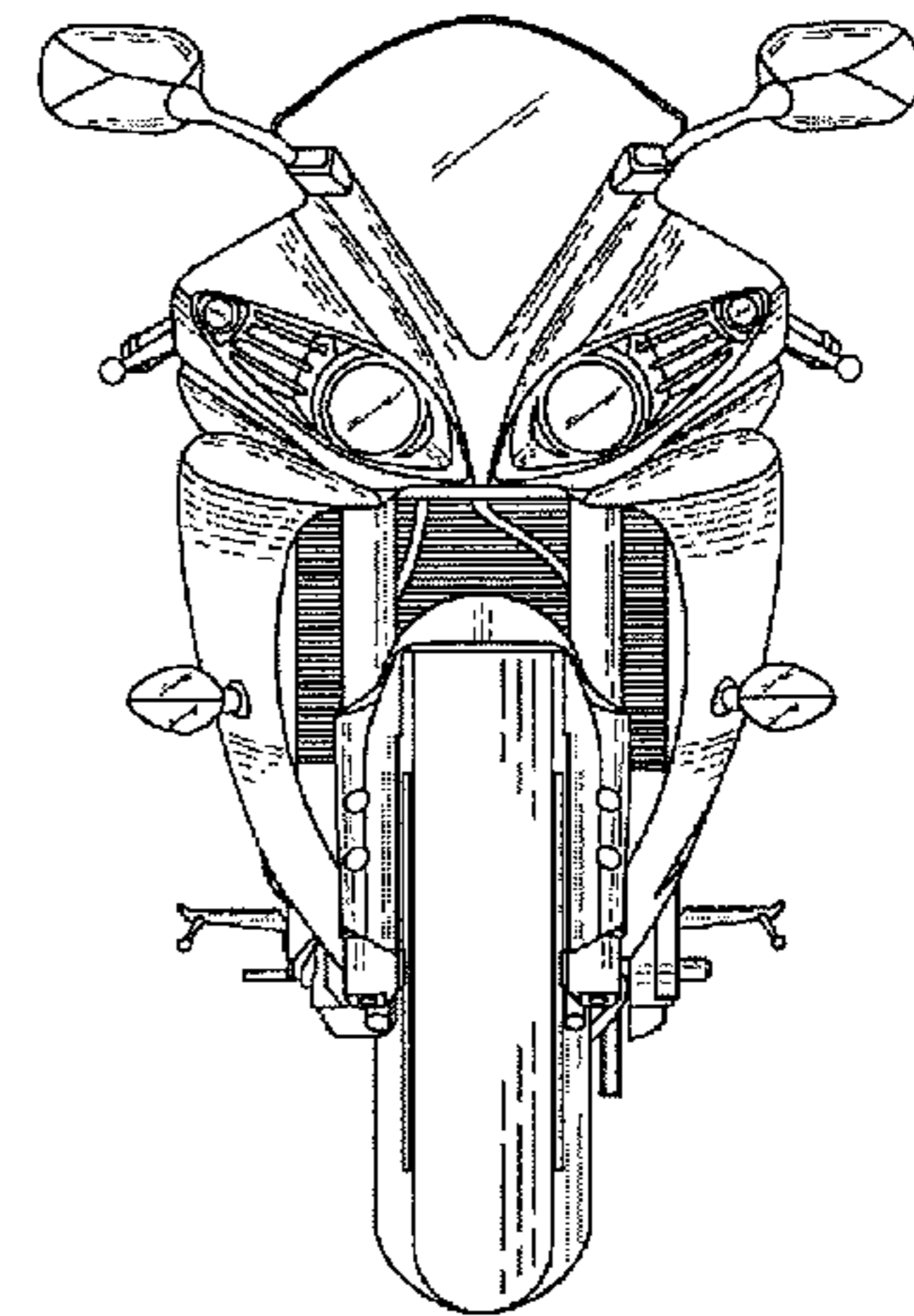
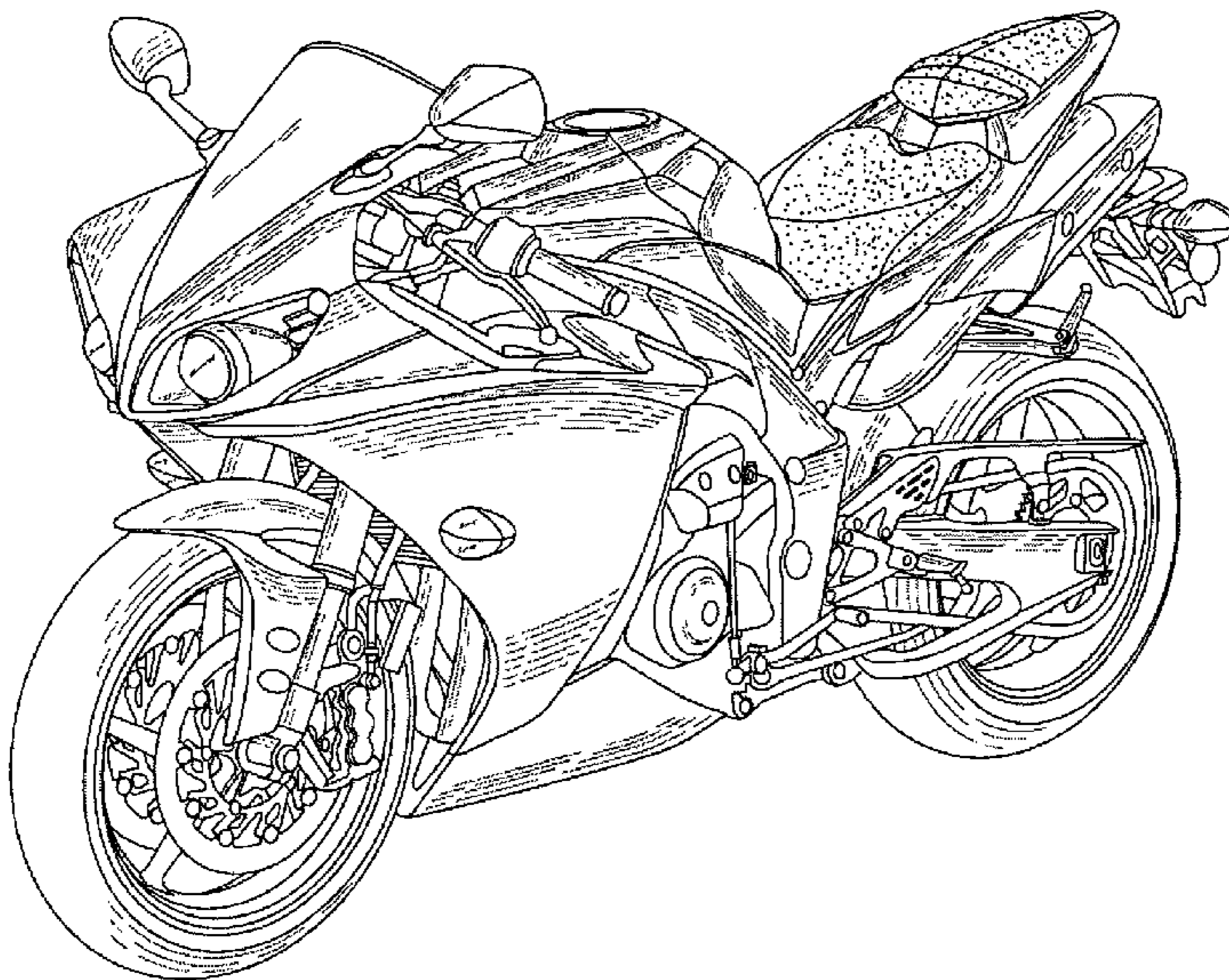
FIG. 7 is a top view thereof.

(56) **References Cited**

U.S. PATENT DOCUMENTS

D504,844 S	*	5/2005	Sasanami	D12/110
D517,958 S	*	3/2006	Matsumura et al.	D12/110
D531,551 S	*	11/2006	Takeda	D12/110
D535,917 S	*	1/2007	Tamura	D12/110
D551,129 S	*	9/2007	Takeda	D12/110
D567,717 S	*	4/2008	Hishiki	D12/110

1 Claim, 4 Drawing Sheets



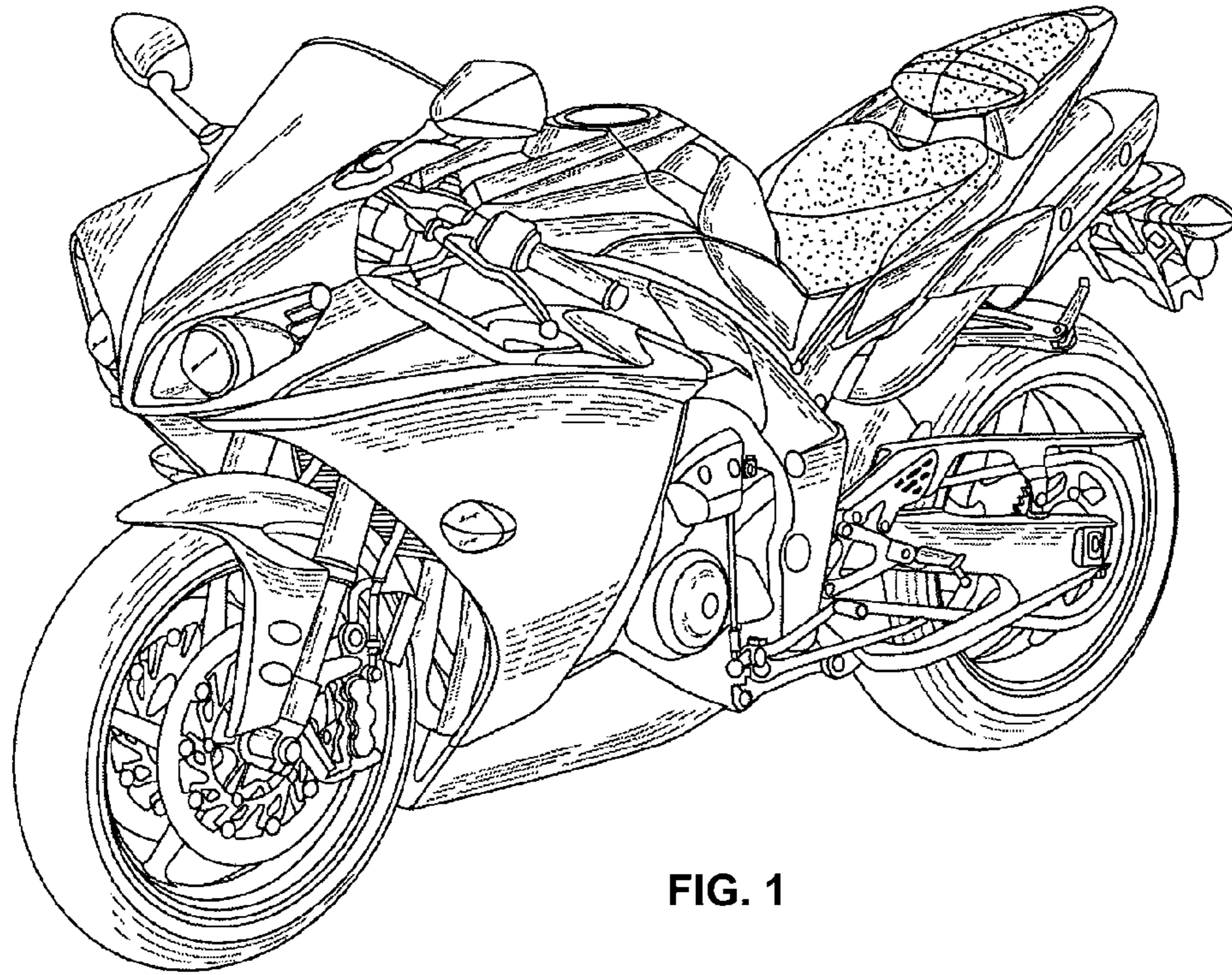


FIG. 1

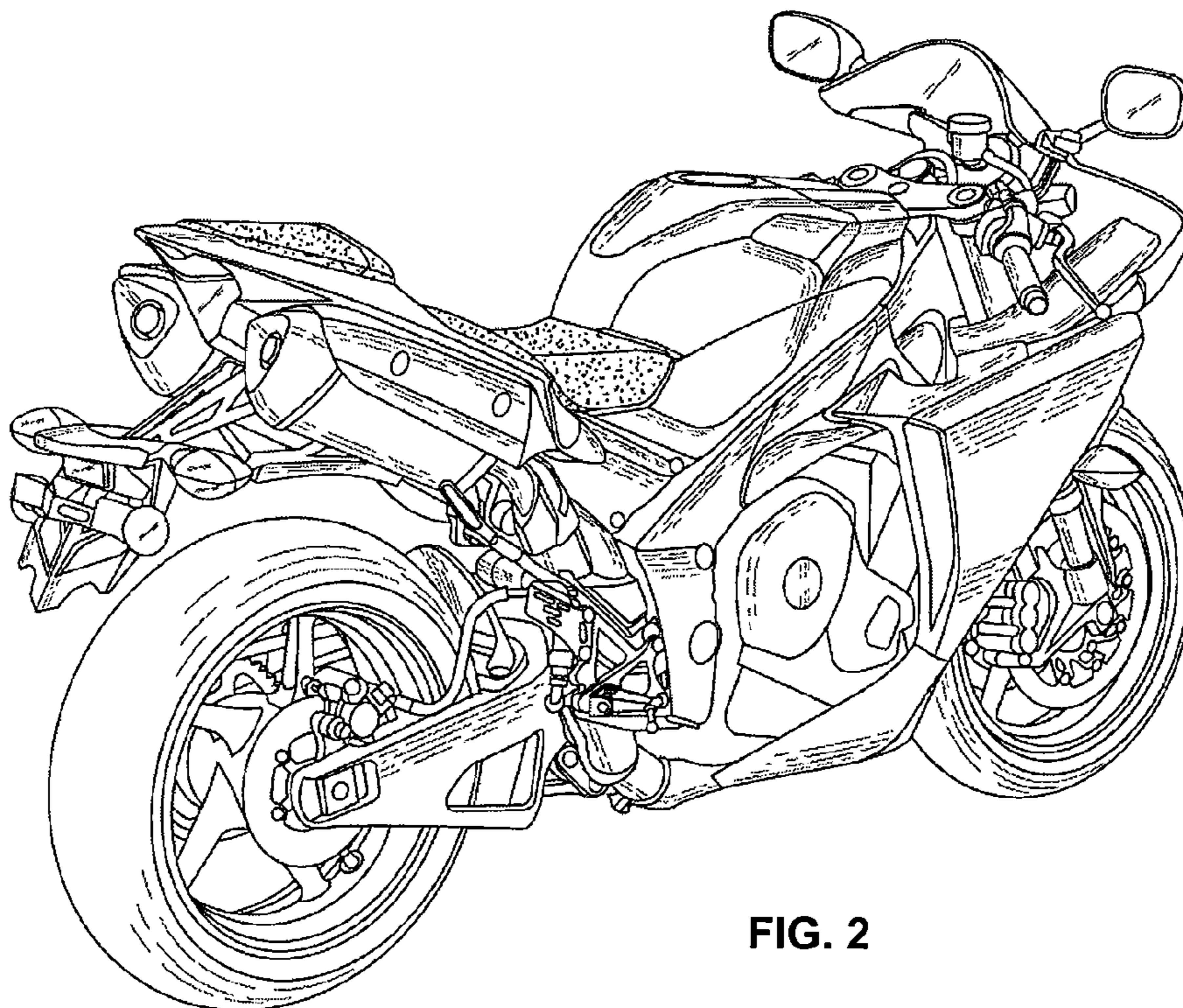


FIG. 2

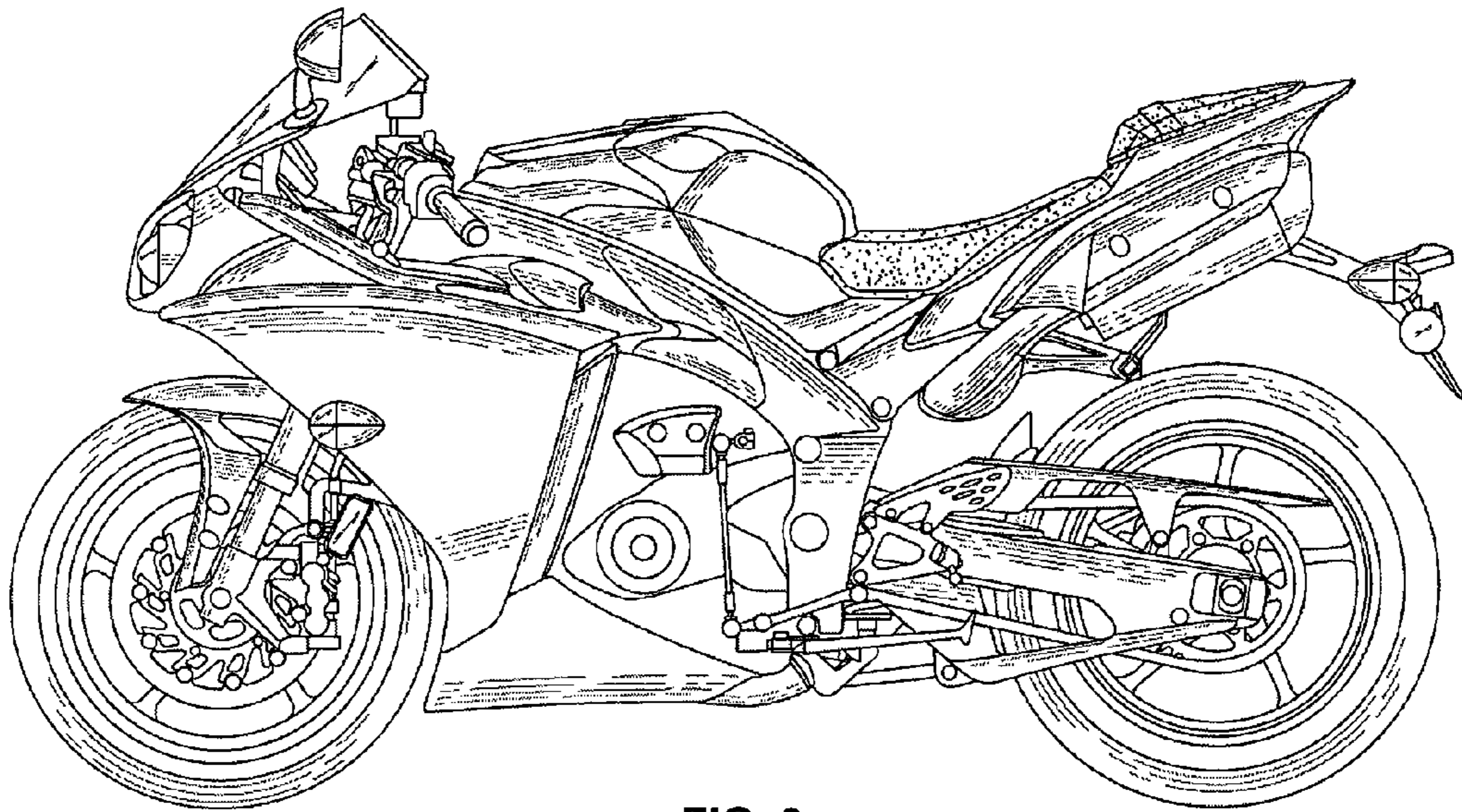


FIG. 3

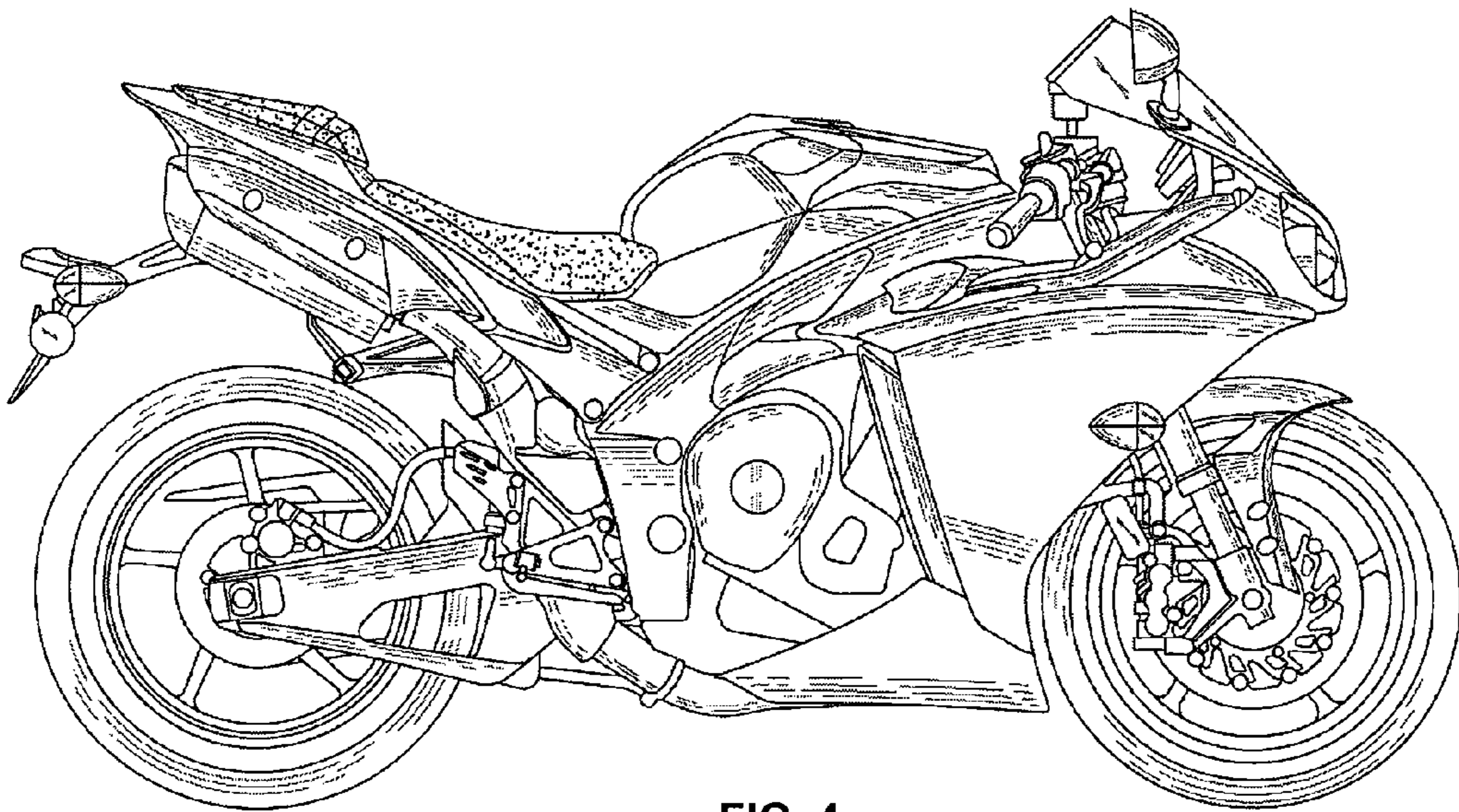


FIG. 4

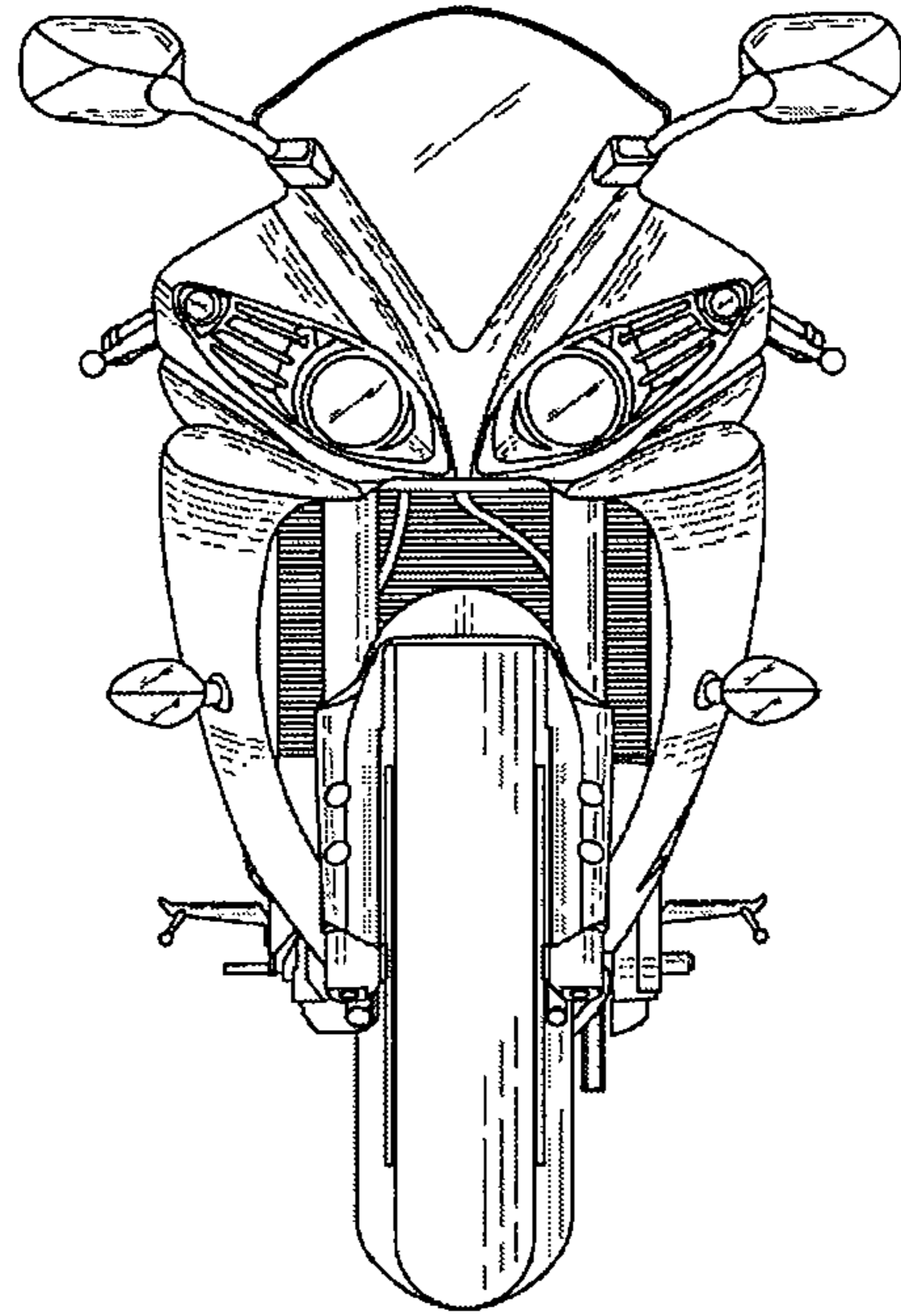


FIG. 5

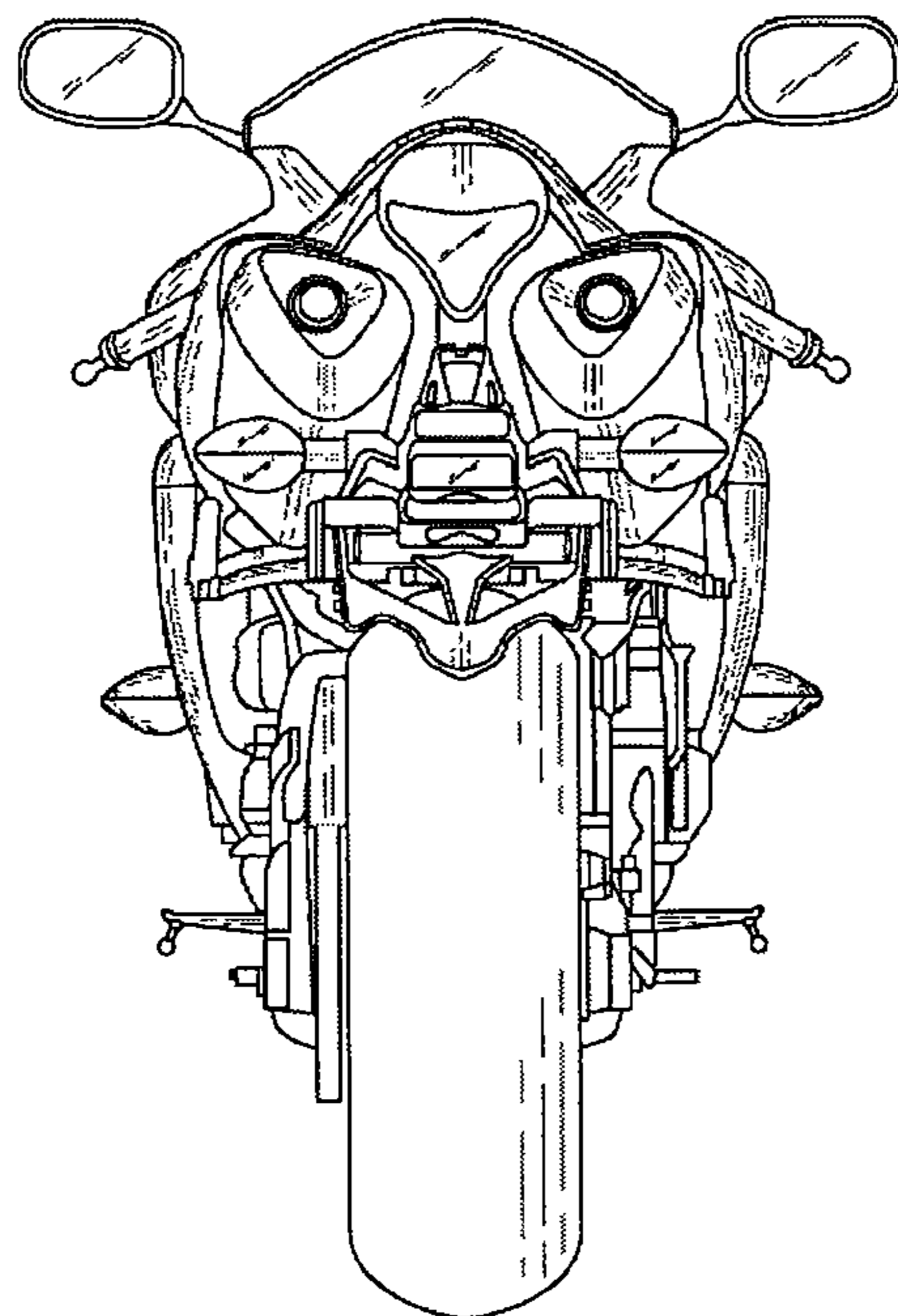


FIG. 6

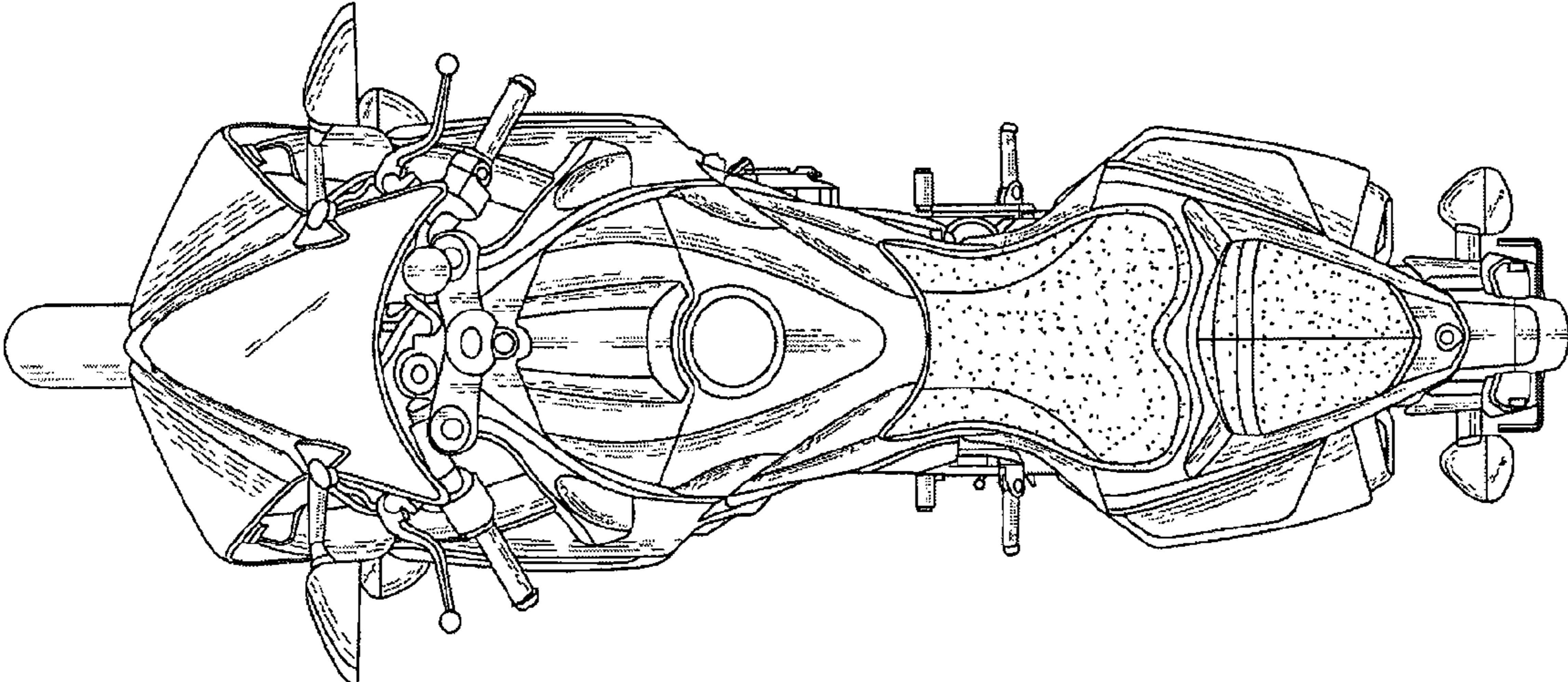


FIG. 7