



US00D594778S

(12) **United States Design Patent**
Yang

(10) **Patent No.:** **US D594,778 S**
(45) **Date of Patent:** **** Jun. 23, 2009**

(54) **PATTERN FOR GARMENT FASTENERS**

(75) Inventor: **Shih-Sheng Yang**, Taipei Hsien (TW)

(73) Assignee: **Universal Trim Supply Co., Ltd.**,
Taipei Hsien (TW)

(**) Term: **14 Years**

(21) Appl. No.: **29/327,711**

(22) Filed: **Nov. 12, 2008**

(51) **LOC (9) Cl.** **02-07**

(52) **U.S. Cl.** **D11/201**

(58) **Field of Classification Search** D11/1-2,
D11/200-201, 203-206, 210, 212, 214-219,
D11/222, 224, 226; 24/163 R, 169-171,
24/173, 177-179, 191, 194-195, 197, 200;
D5/2-7, 12, 56, 59-62, 99

See application file for complete search history.

(56) **References Cited**

U.S. PATENT DOCUMENTS

| | | | | |
|---------------|---------|------------------|-------|----------|
| D12,180 S * | 3/1881 | Chatellier | | D11/226 |
| D48,250 S * | 12/1915 | Kuehn | | D11/200 |
| D64,719 S * | 5/1924 | Bunting | | D5/59 |
| D70,947 S * | 8/1926 | Bunting | | D5/62 |
| D101,051 S * | 9/1936 | Mix | | D11/216 |
| D118,739 S * | 1/1940 | Holstein | | D11/222 |
| 3,087,215 A * | 4/1963 | Tworek et al. | | 24/113 R |
| D197,906 S * | 4/1964 | Bohlinger et al. | | D11/86 |
| D289,865 S * | 5/1987 | Rosenwein et al. | | D11/222 |
| D326,434 S * | 5/1992 | Levy | | D11/222 |
| D346,569 S * | 5/1994 | Lovato | | D11/218 |

| | | | | |
|--------------|---------|----------------|-------|---------|
| D356,520 S * | 3/1995 | Bartky | | D11/87 |
| D366,113 S * | 1/1996 | Morgan | | D24/145 |
| D380,418 S * | 7/1997 | Michael | | D11/222 |
| D408,153 S * | 4/1999 | Nuti | | D5/59 |
| D471,130 S * | 3/2003 | Lai | | D11/216 |
| D519,409 S * | 4/2006 | Sporn | | D11/216 |
| D521,411 S * | 5/2006 | Moeller et al. | | D11/216 |
| D582,164 S * | 12/2008 | Mark et al. | | D5/59 |
| D586,259 S * | 2/2009 | Kelleghan | | D11/218 |

* cited by examiner

Primary Examiner—R. Seifert

(74) *Attorney, Agent, or Firm*—Leong C. Lei

(57) **CLAIM**

The ornamental design for a pattern for garment fasteners, as shown and described.

DESCRIPTION

FIG. 1 is a front elevational view of a pattern for garment fasteners showing my new design;

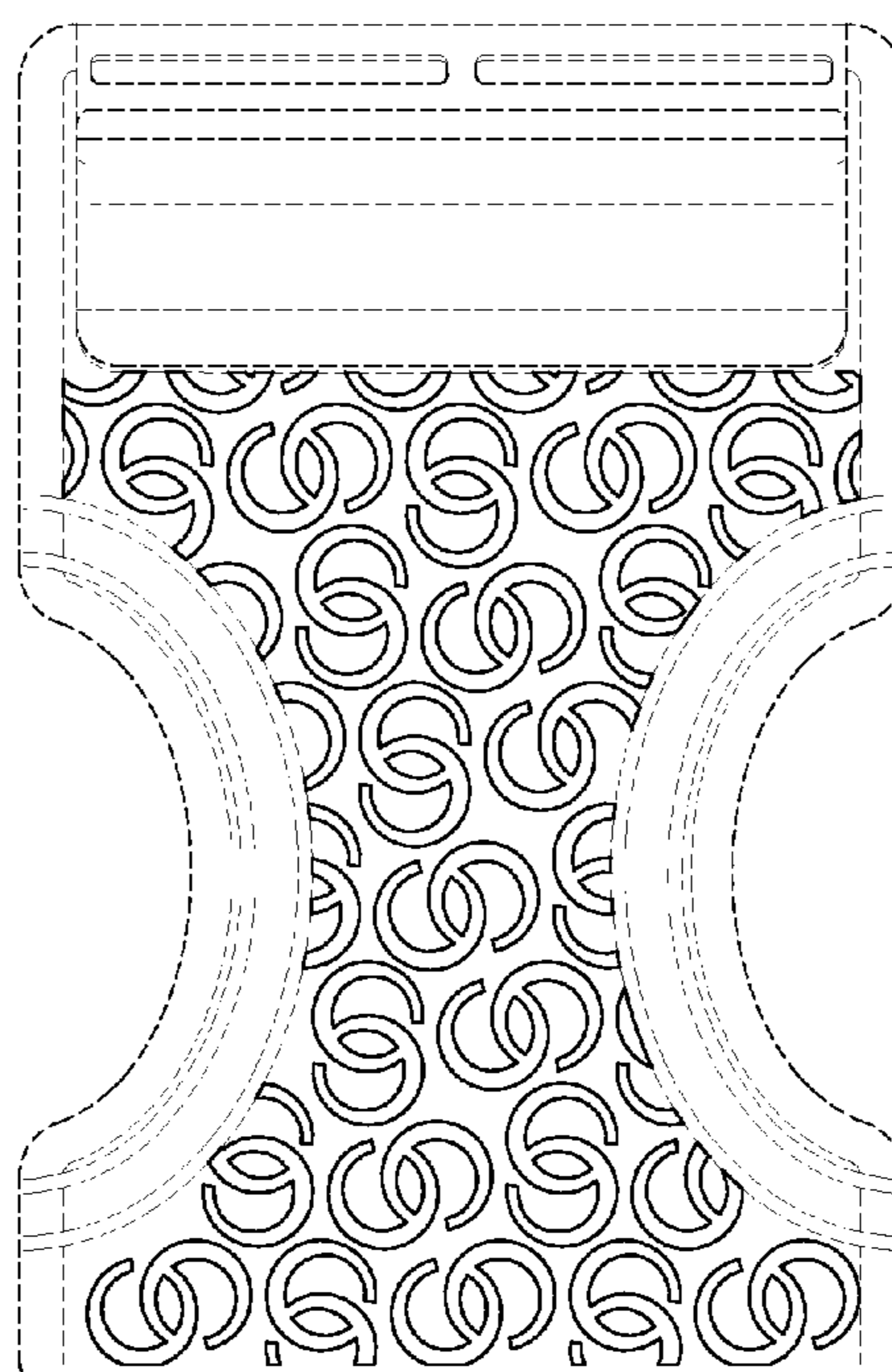
FIG. 2 is a front perspective view thereof;

FIG. 3 is a front perspective view of a pattern for garment fasteners showing a second embodiment of my new design; and,

FIG. 4 is a front perspective view of a pattern for garment fasteners showing a third embodiment of my new design.

The broken line showing in FIGS. 1-4 is included for the purpose of illustrating environmental matter and forms no part of the claimed design.

1 Claim, 2 Drawing Sheets



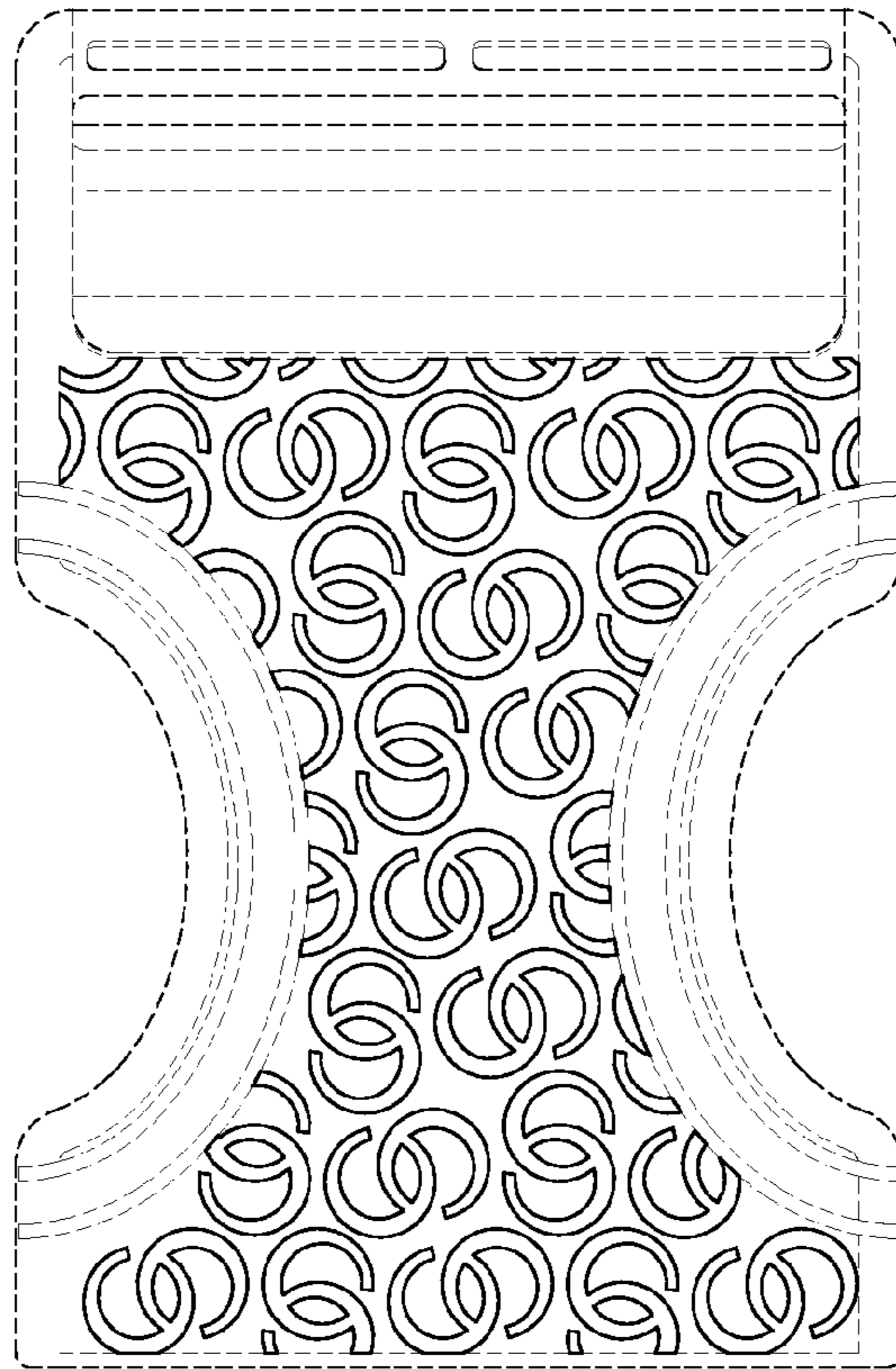


FIG. 1

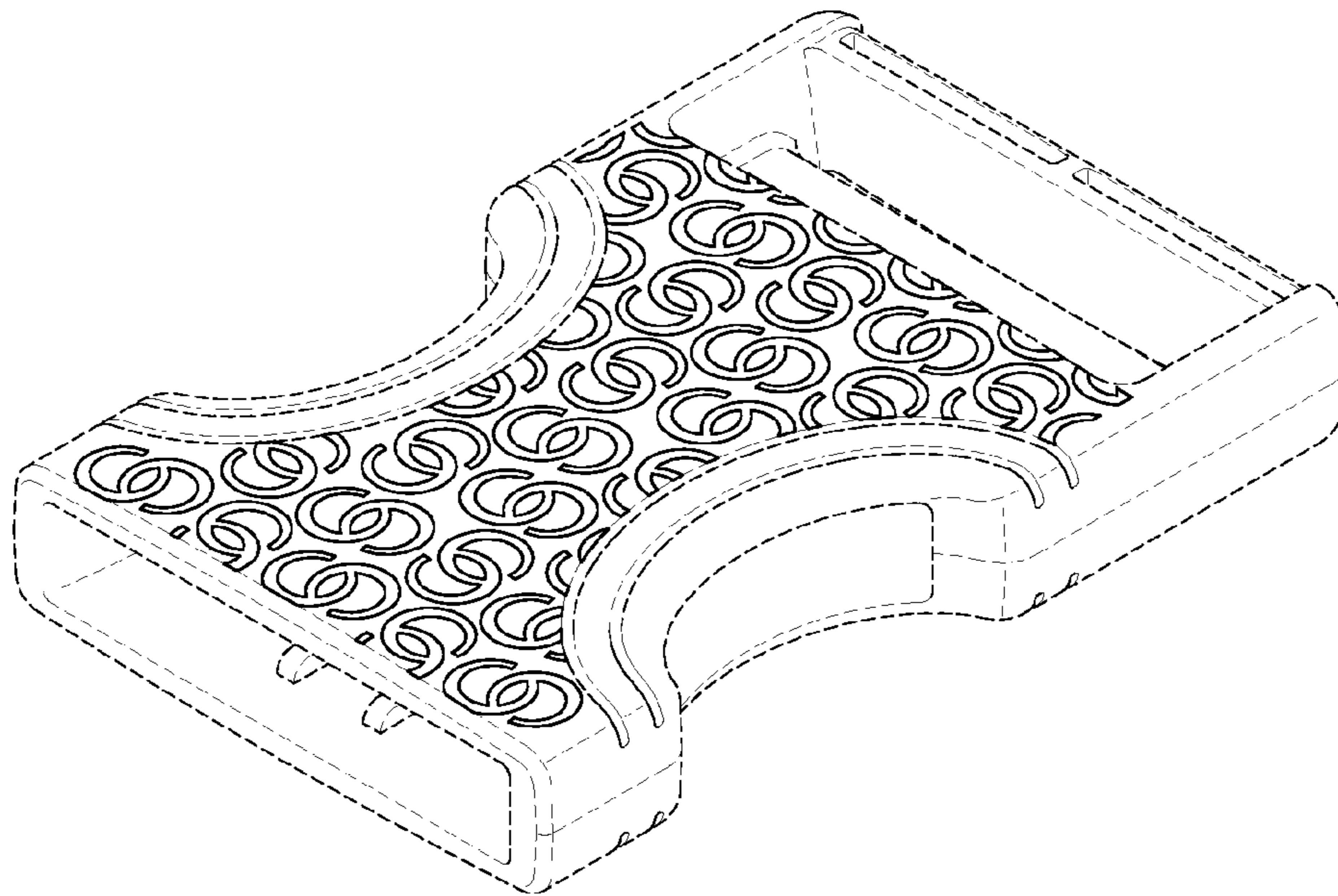


FIG. 2



FIG.3

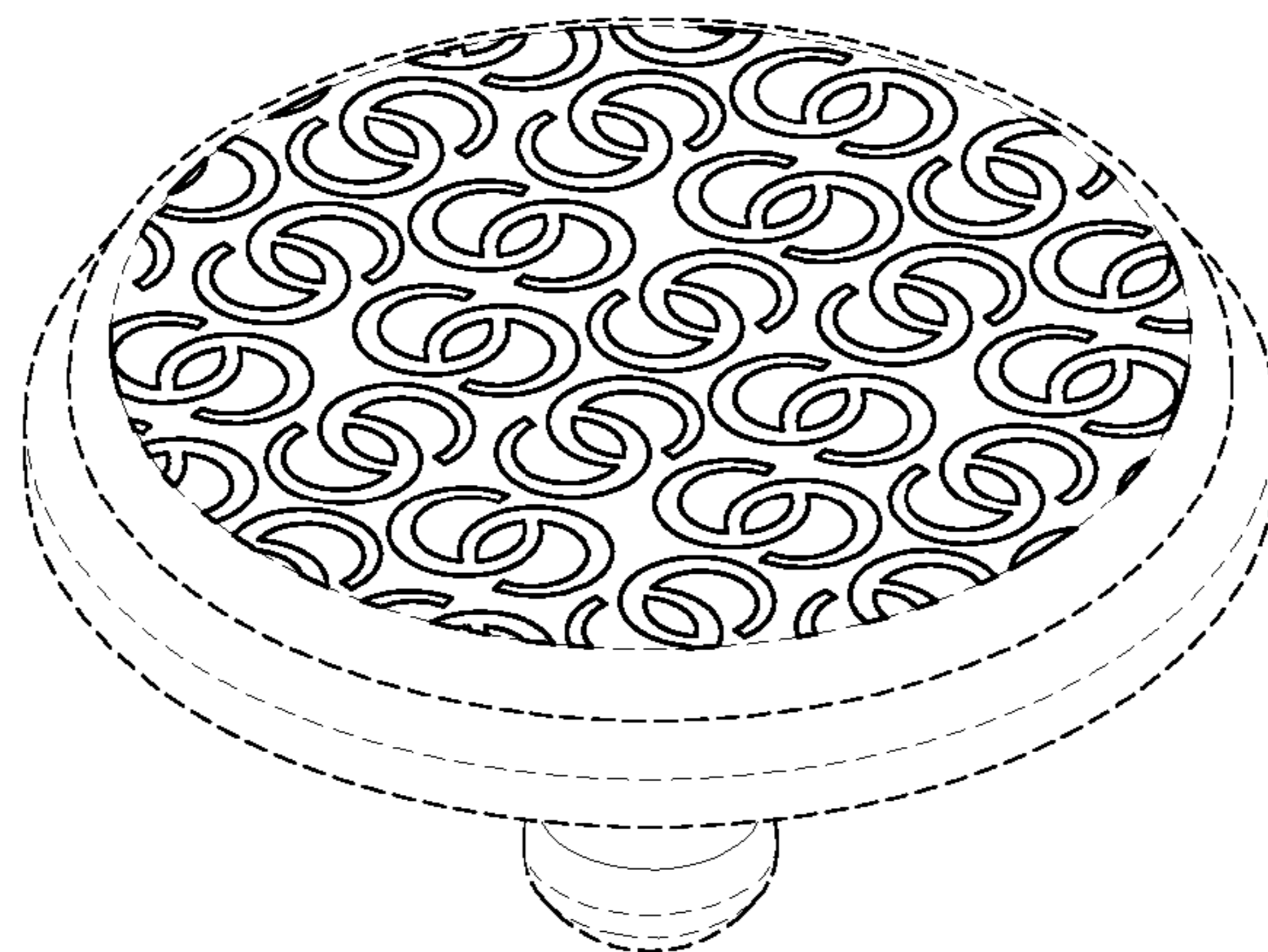


FIG.4