



US00D594775S

(12) **United States Design Patent**
Moreau

(10) **Patent No.:** **US D594,775 S**
(45) **Date of Patent:** **** Jun. 23, 2009**

- (54) **HORTICULTURAL POT**
- (75) Inventor: **Philippe Moreau**, Montmorillon (FR)
- (73) Assignee: **Alliance 47**, Poitiers (FR)
- (**) Term: **14 Years**
- (21) Appl. No.: **29/318,162**
- (22) Filed: **May 15, 2008**
- (51) **LOC (9) Cl.** **11-02**
- (52) **U.S. Cl.** **D11/152**
- (58) **Field of Classification Search** D6/403-405,
D6/556; D8/1; D11/143-156; D19/77,
D19/81, 84; D26/9, 16, 19; D34/1-11; D99/5,
D99/19; 47/32.7, 33, 39, 41.01, 41.1, 41.11-41.15,
47/44-47, 65.5, 65.9, 66.1, 66.2, 66.6, 66.7,
47/67-71

See application file for complete search history.

(56) **References Cited**

U.S. PATENT DOCUMENTS

- 1,132,210 A * 3/1915 Poessel D11/156
- D47,635 S * 7/1915 Wells D34/4
- 1,857,140 A * 5/1932 Carpenter 47/41.13
- 2,867,464 A * 1/1959 Crampton D11/156
- 3,686,791 A * 8/1972 Mills 47/83
- D254,236 S * 2/1980 DeVito et al. D11/148
- D290,800 S * 7/1987 Petrossian D11/149
- D338,637 S * 8/1993 Shenkar D11/156

- D436,887 S * 1/2001 Fan D11/152
- 6,339,899 B1 * 1/2002 Lehmann 47/65.5
- D456,304 S * 4/2002 Riley et al. D11/147
- D459,270 S * 6/2002 Kumar D11/156
- D461,432 S * 8/2002 Carlson D11/153
- D468,663 S * 1/2003 Fan D11/156
- D544,813 S * 6/2007 Schmidt D11/152
- D564,939 S * 3/2008 Fan D11/152
- 2004/0031194 A1 * 2/2004 Trabka 47/65.5

* cited by examiner

Primary Examiner—Caron Veynar

Assistant Examiner—Garth Rademaker

(74) *Attorney, Agent, or Firm*—Young & Thompson

(57) **CLAIM**

I claim the ornamental design for a horticultural pot, as shown and described.

DESCRIPTION

FIG. 1 is a top perspective view of a horticultural pot;

FIG. 2 is a bottom perspective view thereof;

FIG. 3 is a bottom plan view thereof;

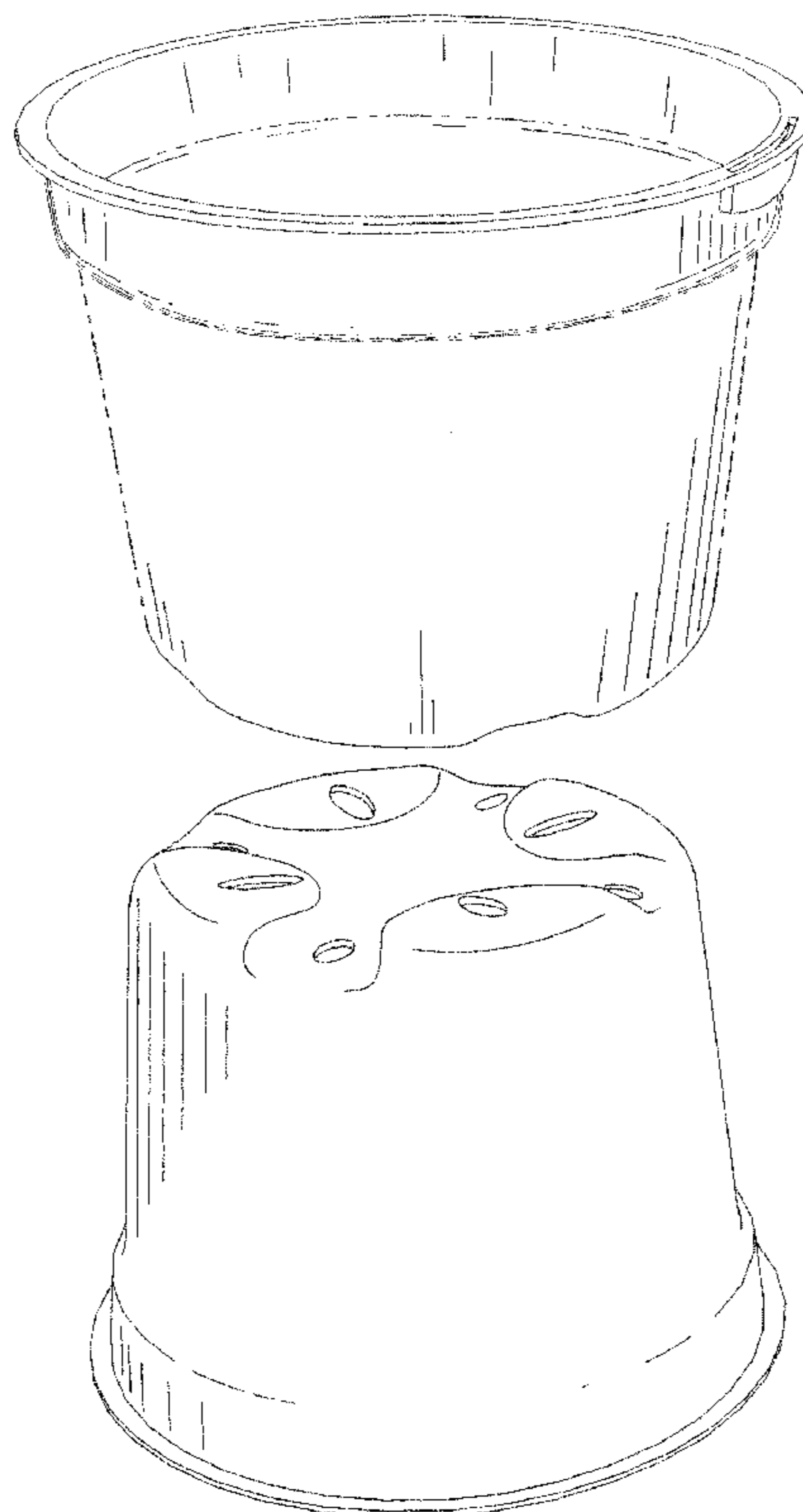
FIG. 4 is a top plan view thereof;

FIG. 5 is a left side elevation view thereof; and,

FIG. 6 is a front elevation view thereof.

The broken lines depict environmental subject matter only and form no part of the claimed design.

1 Claim, 2 Drawing Sheets



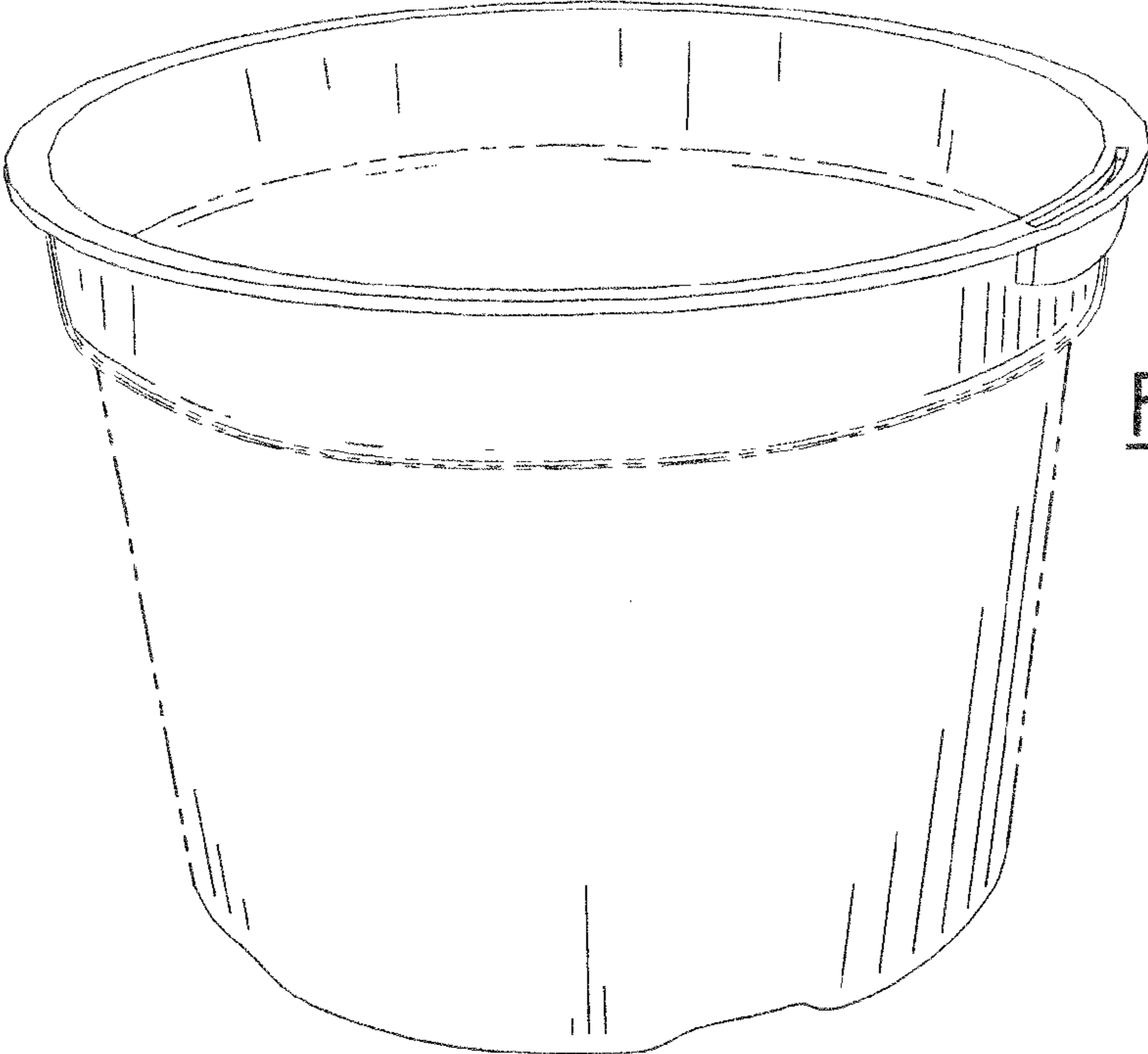


Fig.1

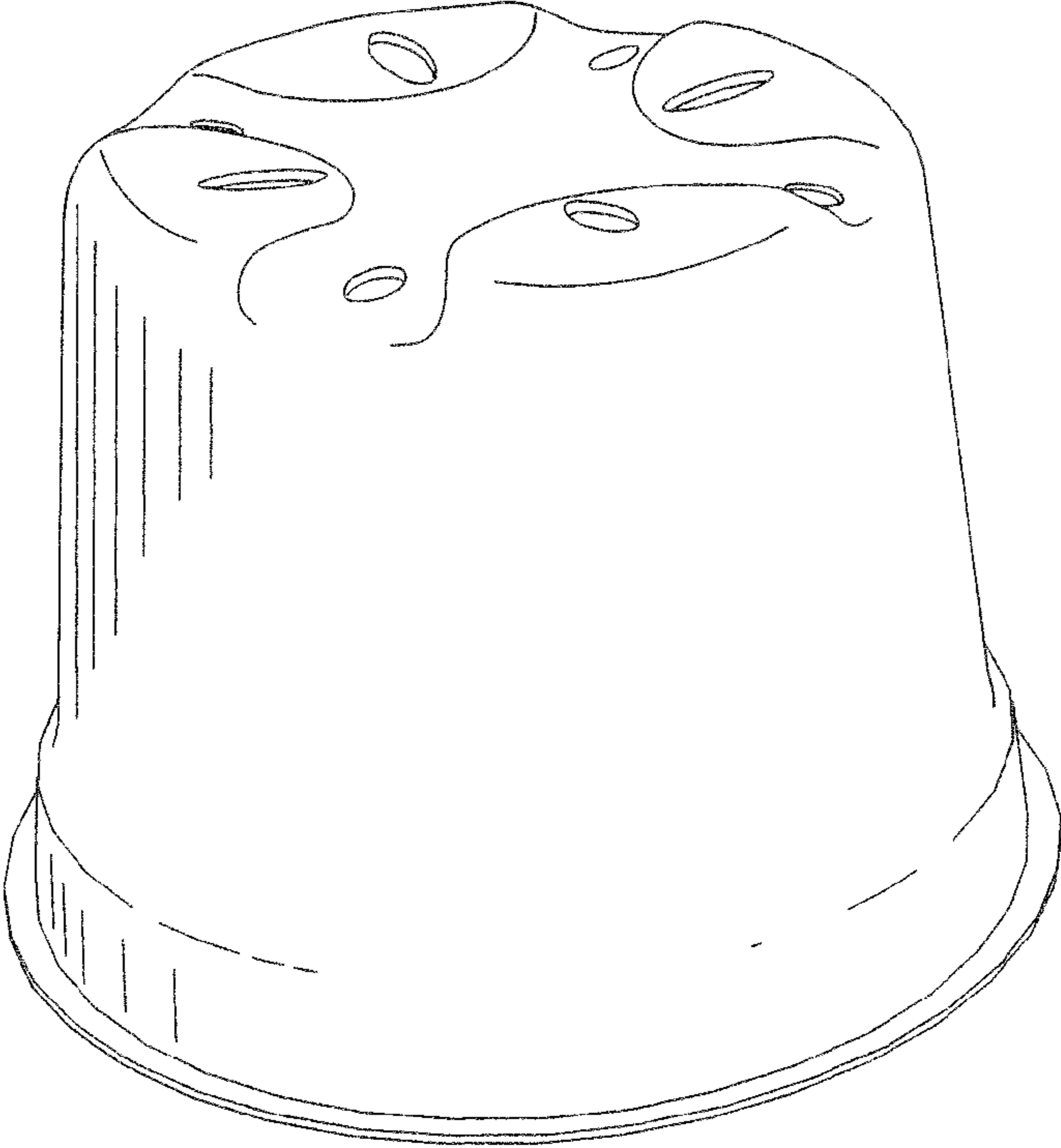


Fig.2

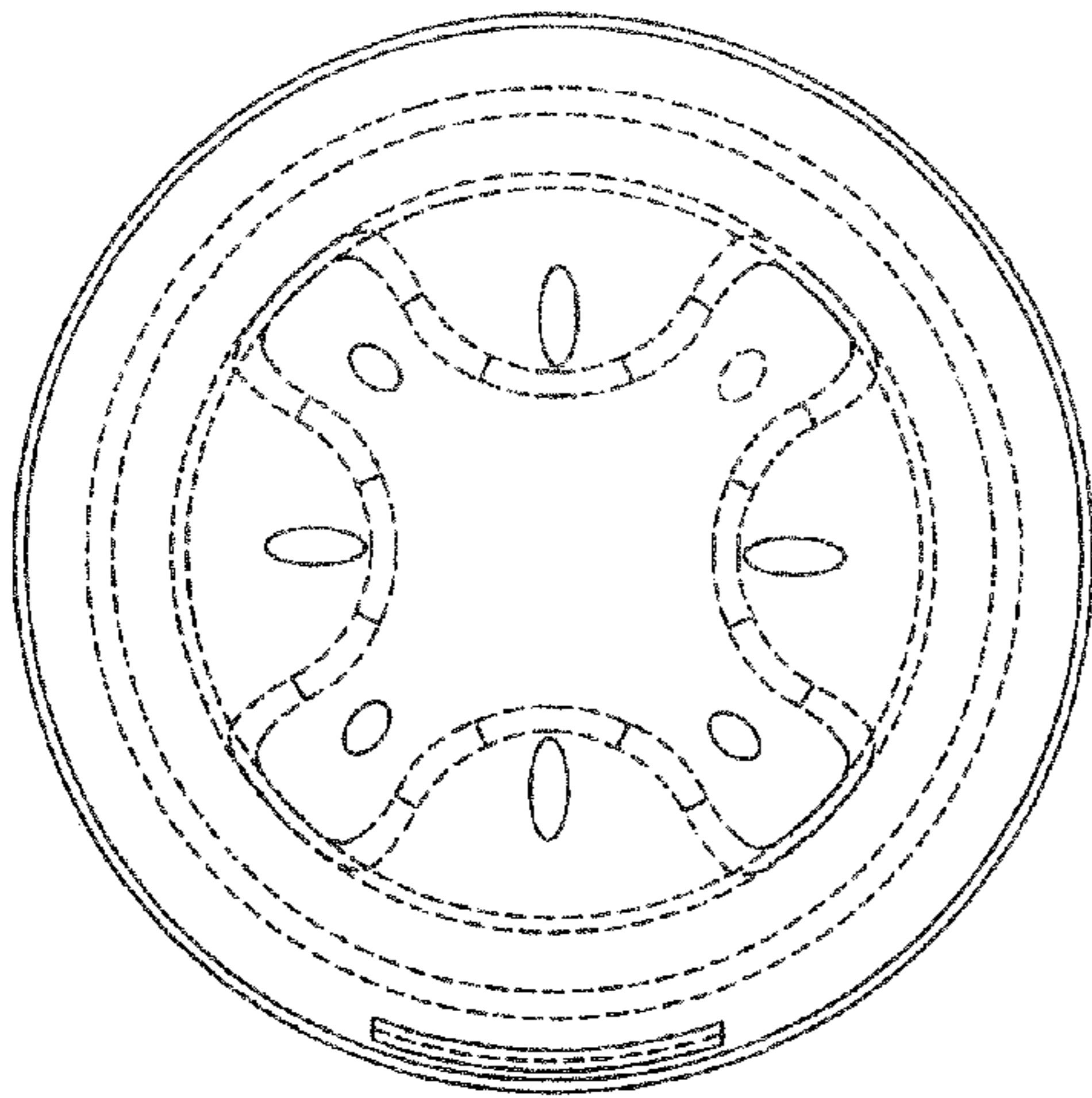


Fig.3

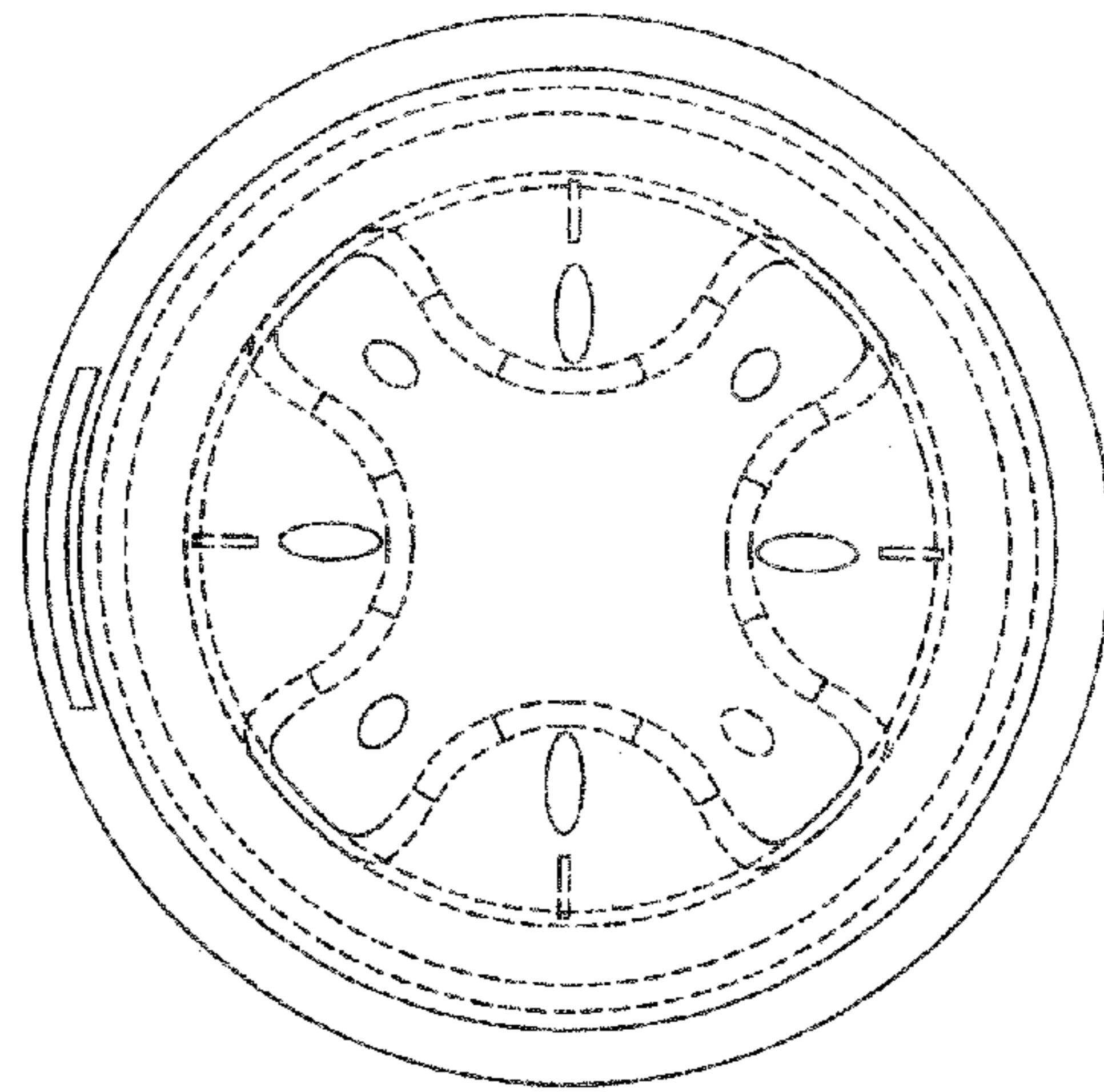


Fig.4

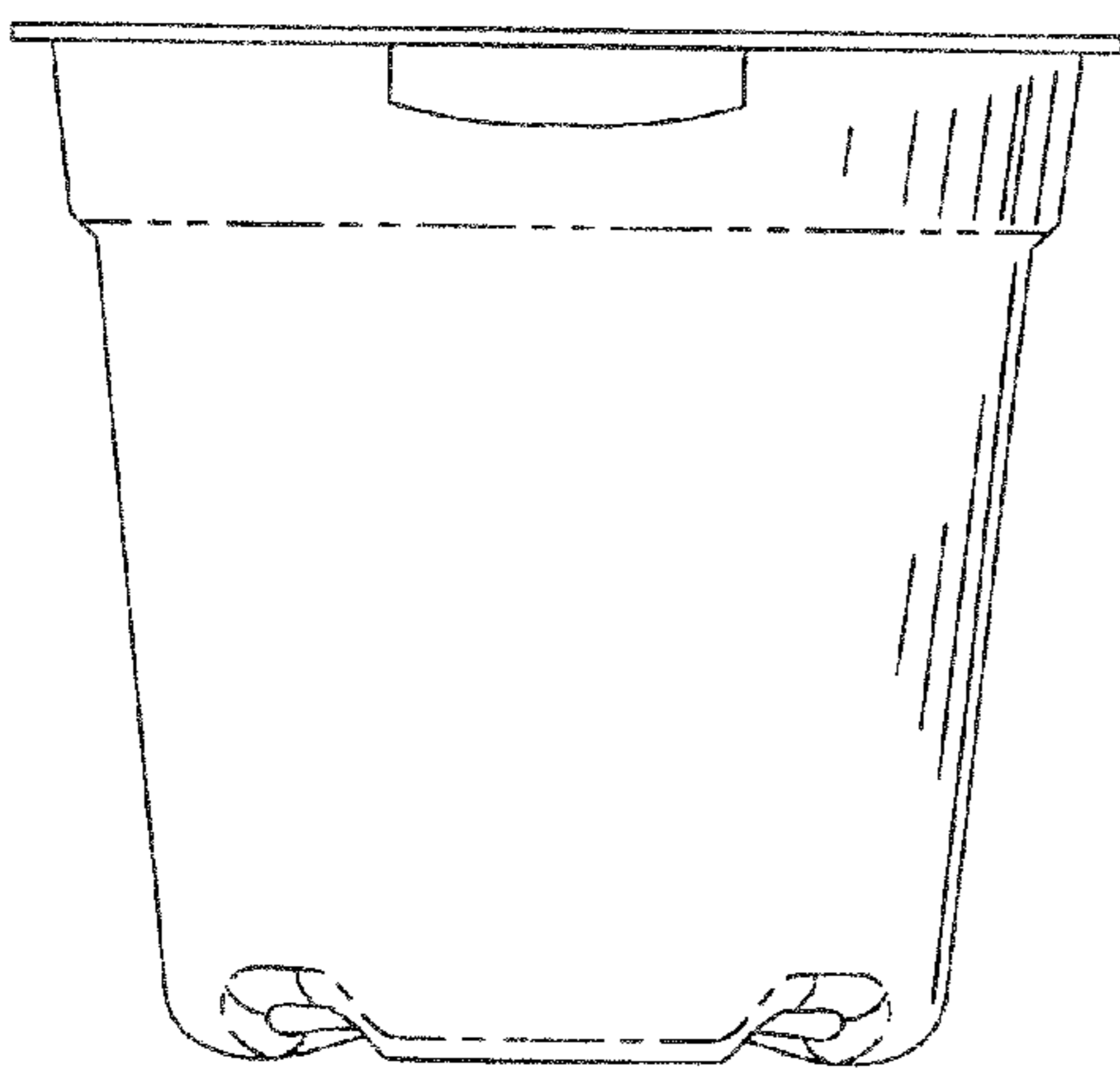


Fig.5

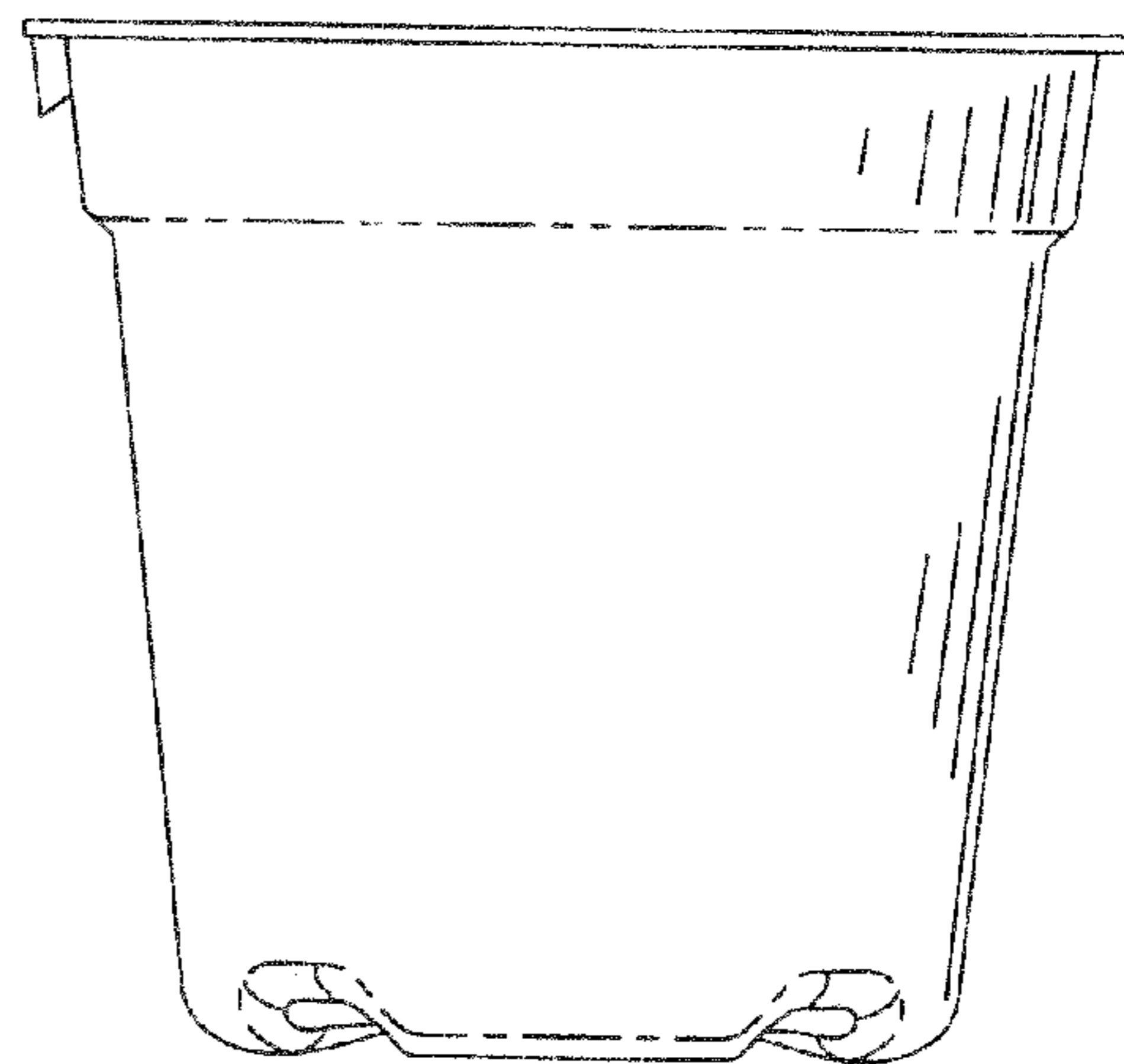


Fig.6