

US00D594770S

(12) **United States Design Patent**
Grassi Damiani

(10) **Patent No.:** **US D594,770 S**
(45) **Date of Patent:** **** Jun. 23, 2009**

(54) **ARTICLE OF JEWELRY**

(75) Inventor: **Giorgio Andrea Grassi Damiani**,
Valenza (IT)

(73) Assignee: **Casa Damiani S.p.A.**, Valenza
(Alessandria) (IT)

(**) Term: **14 Years**

(21) Appl. No.: **29/303,625**

(22) Filed: **Feb. 13, 2008**

Related U.S. Application Data

(62) Division of application No. 29/264,427, filed on Aug.
10, 2006, now Pat. No. Des. 580,812.

(30) **Foreign Application Priority Data**

Feb. 10, 2006 (EM) 000478276

(51) **LOC (9) Cl.** **11-01**

(52) **U.S. Cl.** **D11/7**

(58) **Field of Classification Search** D11/1-24,
D11/30, 40, 41, 42, 43, 44, 45, 47, 48, 49,
D11/79, 80, 86, 89, 90, 91, 92, 93, 117, 120,
D11/121, 122, 139, 143, 144, 151; 63/3,
63/3.1, 3.2, 4, 5.1, 7, 10, 11, 15, 15.7, 18,
63/21, 35, 37, 38; 224/175

See application file for complete search history.

(56) **References Cited**

U.S. PATENT DOCUMENTS

D19,102 S * 5/1889 Stayner D11/79

1,732,250 A * 10/1929 Wehse D11/45
D114,212 S * 4/1939 Graeter D11/48
2,931,196 A * 4/1960 Liftman D11/79
D248,380 S * 7/1978 Burchett D11/43
D469,031 S * 1/2003 Truisi D11/48
D497,322 S * 10/2004 Gruosi-Scheufele D11/79
D542,695 S * 5/2007 Schweizer D11/34

* cited by examiner

Primary Examiner—Louis S Zarfaz

Assistant Examiner—Michael A Pratt

(74) *Attorney, Agent, or Firm*—Cozen O'Connor

(57) **CLAIM**

I claim the ornamental design for an article of jewelry, as
shown and described.

DESCRIPTION

FIG. 1 illustrates a front view of an article of jewelry showing
my new design;

FIG. 2 illustrates a rear view thereof;

FIG. 3 illustrates a right side perspective thereof;

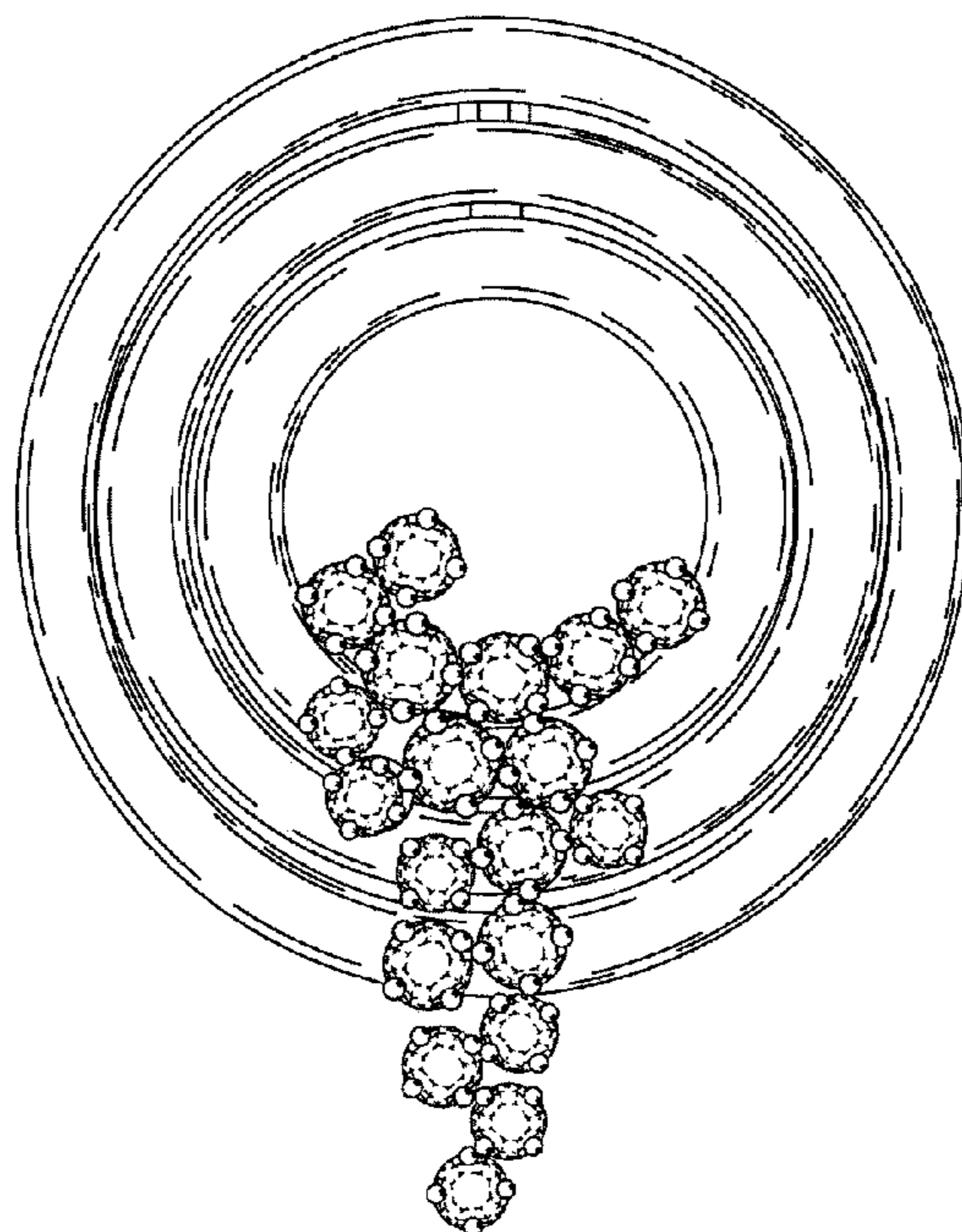
FIG. 4 illustrates a left side perspective view thereof;

FIG. 5 illustrates a top perspective view thereof; and,

FIG. 6 illustrates a bottom perspective view thereof.

The broken line showing gem stones is included for the pur-
pose of illustrating environment and forms no part of the
claimed design.

1 Claim, 6 Drawing Sheets



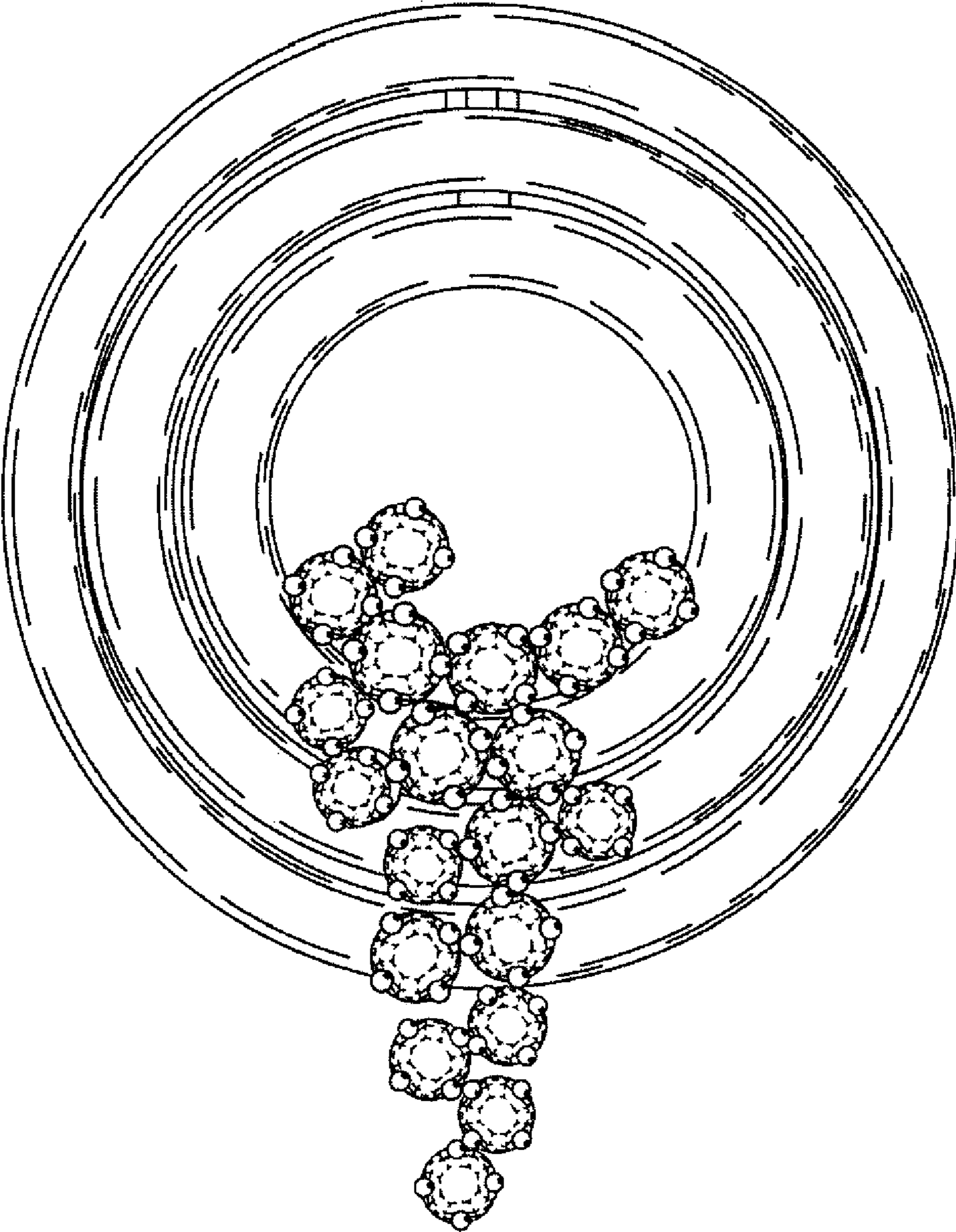


Fig. 1

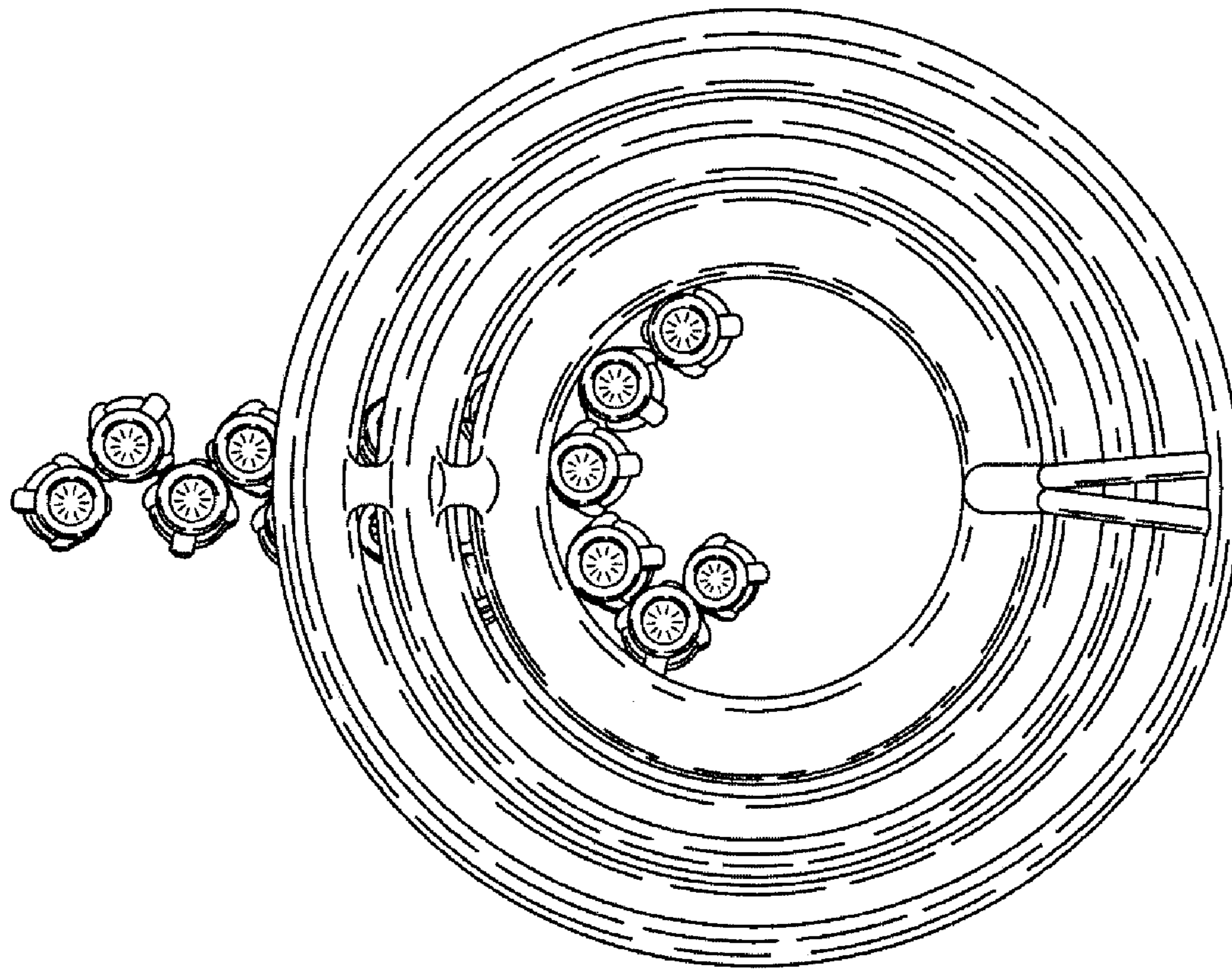


Fig. 2

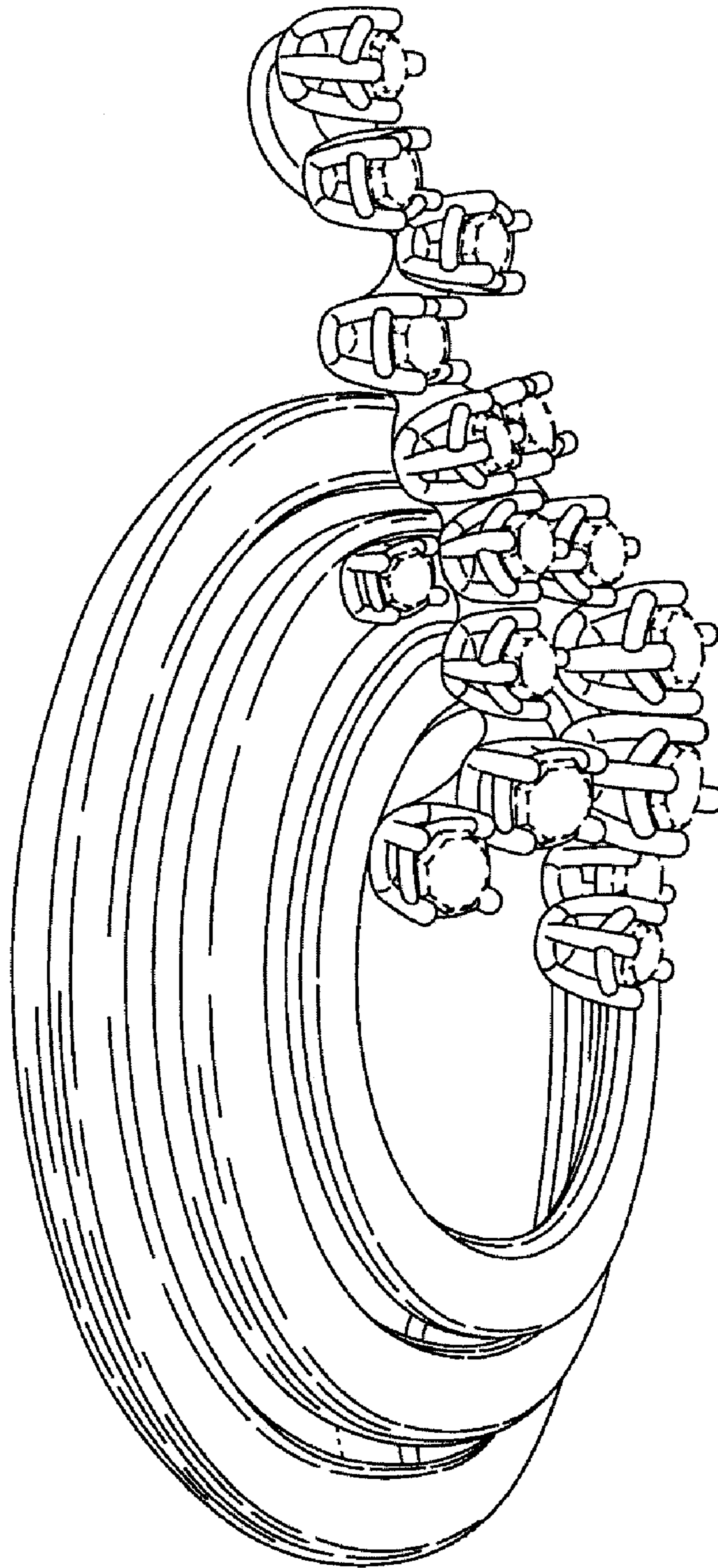


Fig. 3

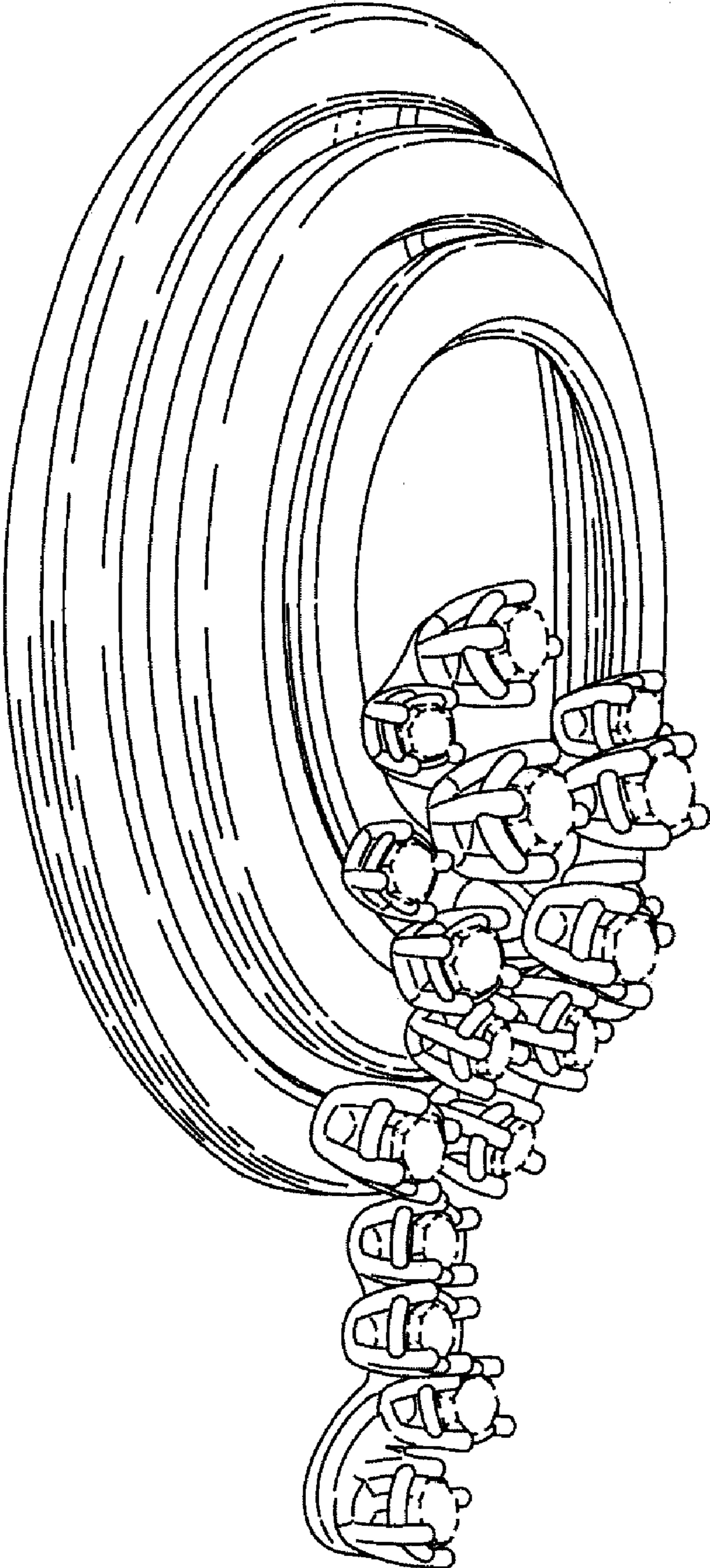


Fig. 4

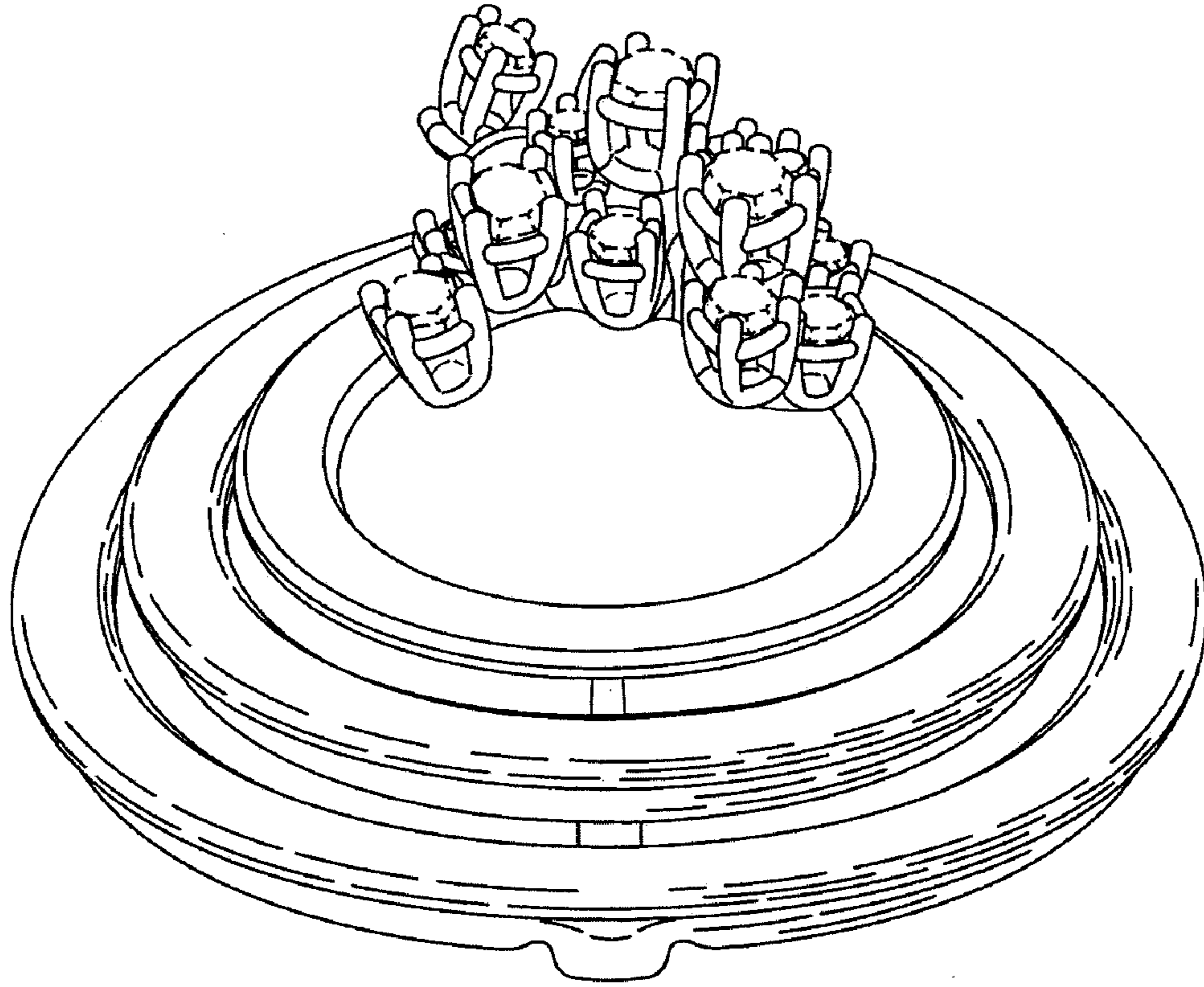


Fig. 5

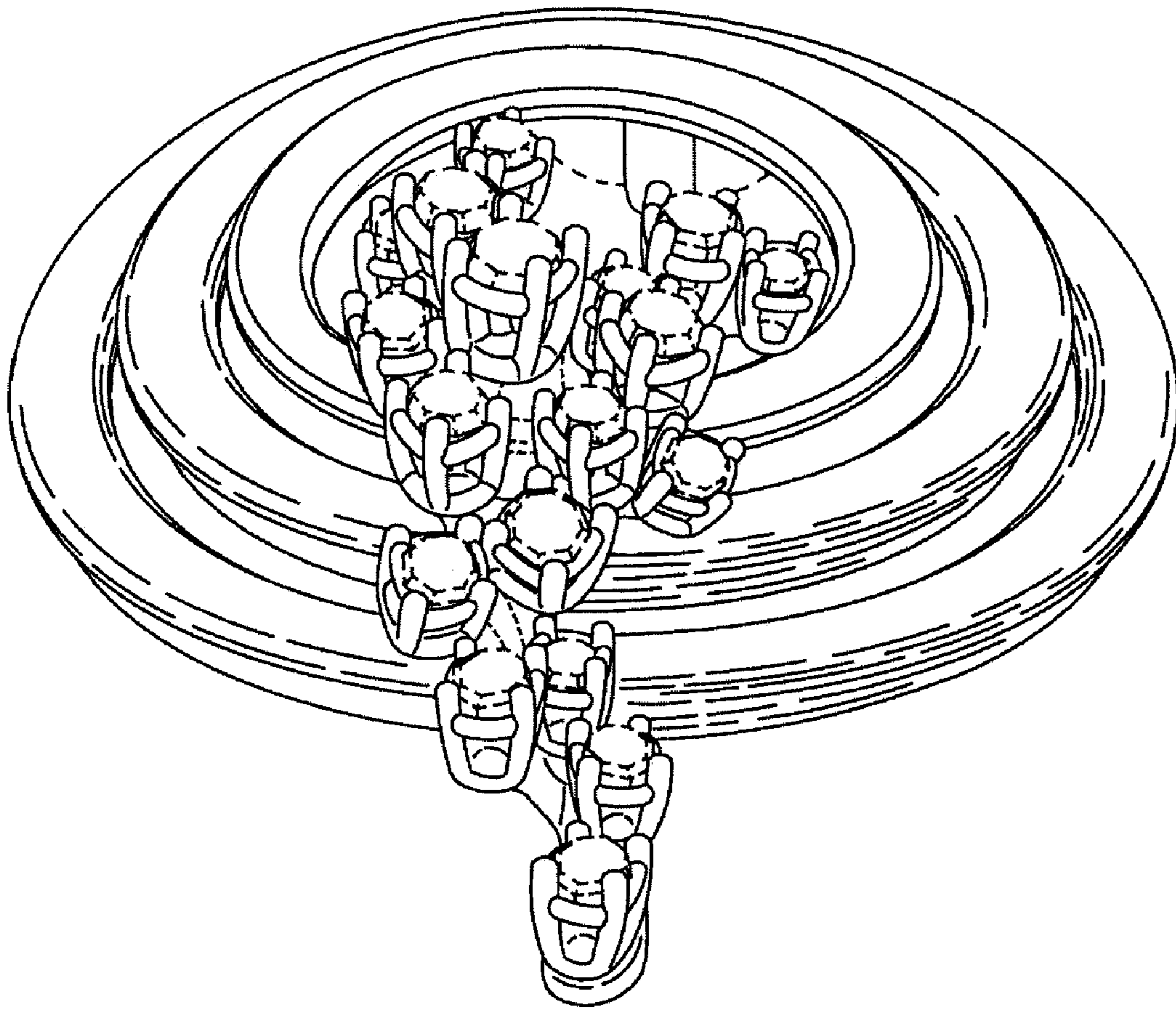


Fig. 6