



US00D594768S

(12) **United States Design Patent**  
**Barnett**

(10) **Patent No.:** **US D594,768 S**  
(45) **Date of Patent:** **\*\* Jun. 23, 2009**

(54) **WARNING LAMP**

(75) Inventor: **Thomas J. Barnett**, Powell, OH (US)

(73) Assignee: **Weldon Technologies, Inc.**, Columbus, OH (US)

(\*\*) Term: **14 Years**

(21) Appl. No.: **29/327,982**

(22) Filed: **Nov. 17, 2008**

**Related U.S. Application Data**

(63) Continuation-in-part of application No. 29/306,524, filed on Apr. 10, 2008, which is a continuation-in-part of application No. 29/279,624, filed on May 4, 2007, now Pat. No. Des. 571,247, application No. 29/327,982, which is a continuation-in-part of application No. 12/058,723, filed on Mar. 30, 2008.

(51) **LOC (9) Cl.** ..... **10-05**

(52) **U.S. Cl.** ..... **D10/114**

(58) **Field of Classification Search** ..... D10/109, D10/111, 114; D26/29-31, 60, 72, 85; 362/158, 362/183-208, 40, 414, 431; 340/815, 432, 340/908.1, 815.03, 760, 761, 767, 782, 471, 340/473

See application file for complete search history.

(56) **References Cited**

**U.S. PATENT DOCUMENTS**

D347,484 S \* 5/1994 Tsushi ..... D26/36  
D375,180 S \* 10/1996 Lyons ..... D26/28  
D410,758 S \* 6/1999 Reinbach ..... D26/28

D436,194 S \* 1/2001 Reinbach ..... D26/28  
D441,678 S \* 5/2001 Lyons ..... D10/114  
D531,332 S \* 10/2006 Duvall et al. .... D26/28  
D541,449 S \* 4/2007 Rogers ..... D26/28  
D551,363 S \* 9/2007 Rogers et al. .... D26/28  
7,298,245 B1 \* 11/2007 VanHoose ..... 340/331  
2003/0132852 A1 \* 7/2003 Povey et al. .... 340/815.45

\* cited by examiner

*Primary Examiner*—Caron Veynar

*Assistant Examiner*—George D Kirschbaum

(74) *Attorney, Agent, or Firm*—Eley Law Firm Co.; Michael A. Forhan; James R. Eley

(57) **CLAIM**

The ornamental design for a warning lamp, as shown and described.

**DESCRIPTION**

FIG. 1 is a top plan view of a warning lamp showing my new design, the bottom plan view being a mirror image thereof;

FIG. 2 is a front elevational view thereof;

FIG. 3 is a right side elevational view thereof, the left side being a mirror image thereof;

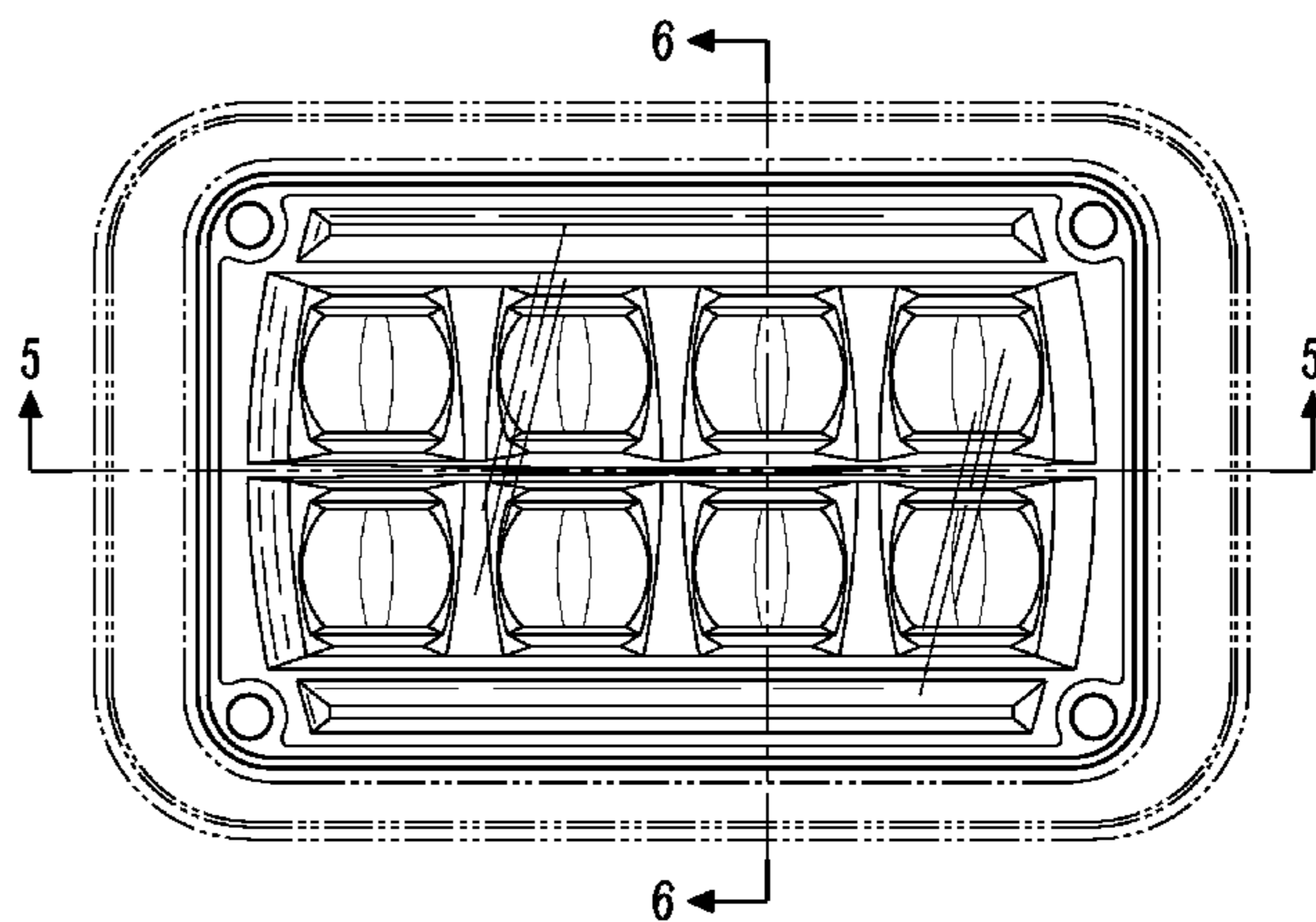
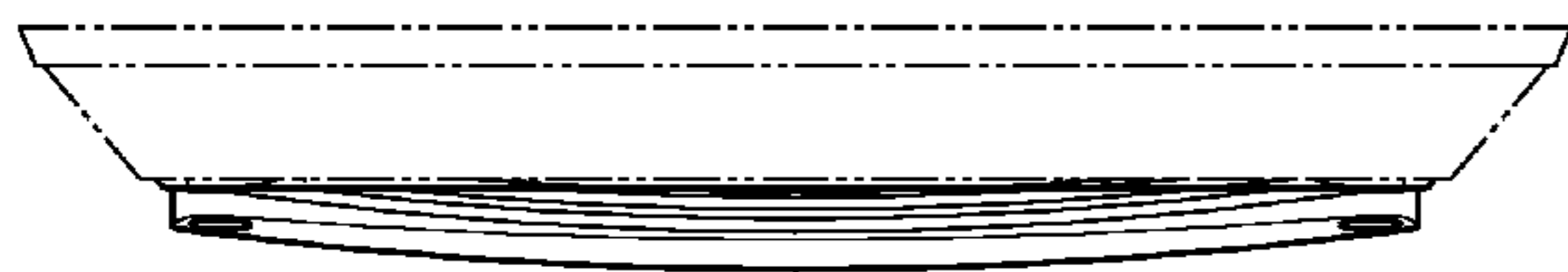
FIG. 4 is a rear elevational view thereof;

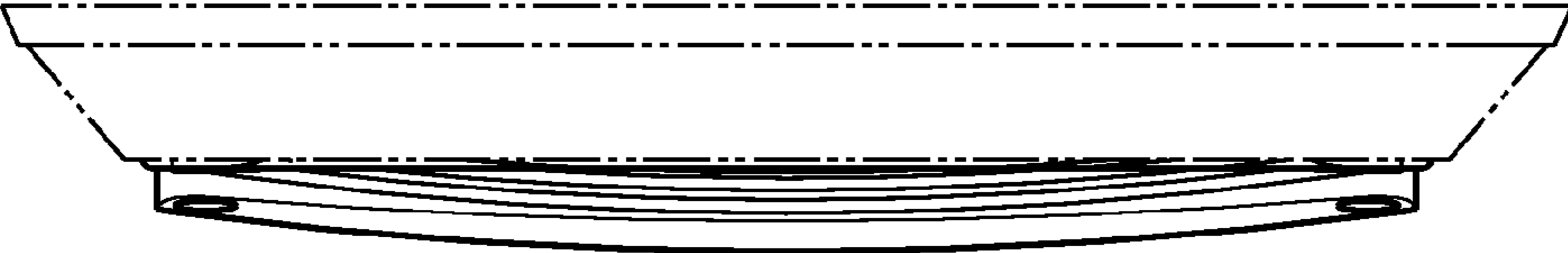
FIG. 5 is a cross-sectional view taken along line 5—5 in FIG. 2; and,

FIG. 6 is a cross-sectional view taken along line 6—6 in FIG. 2.

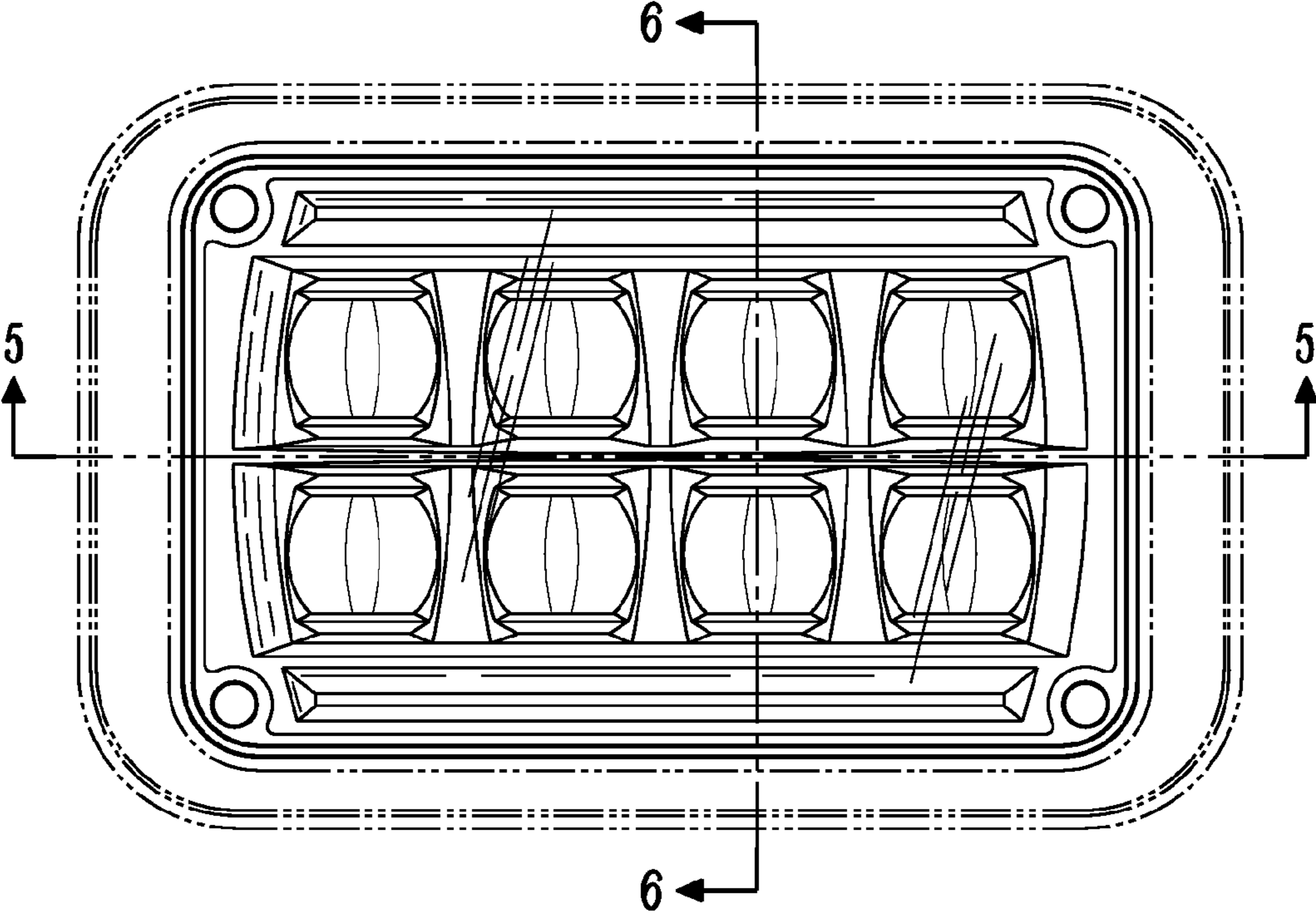
The broken lines depict unclaimed environmental subject matter.

**1 Claim, 2 Drawing Sheets**

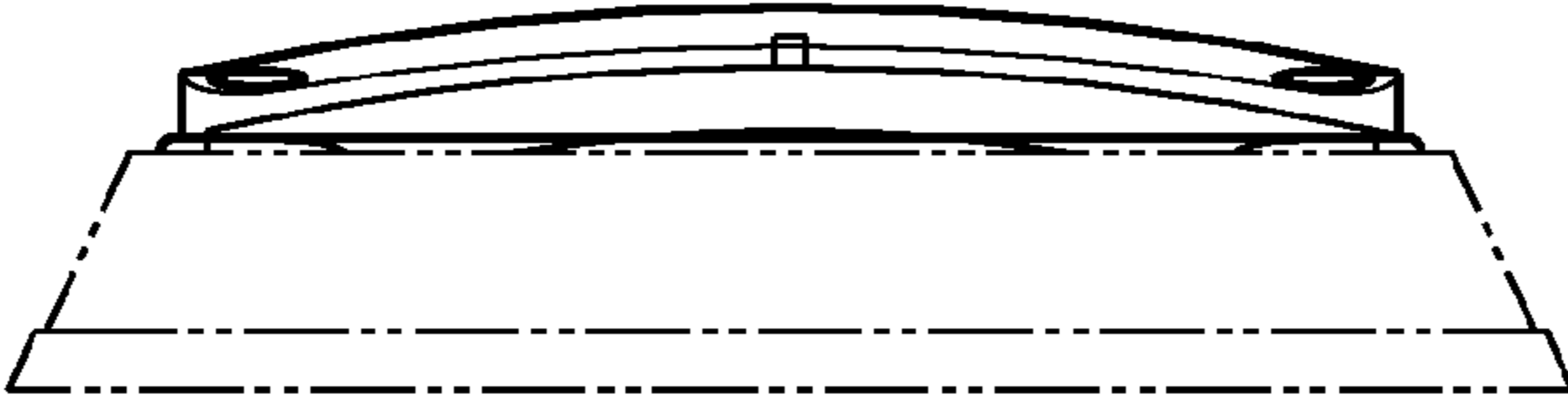




*Fig. 1*



*Fig. 2*



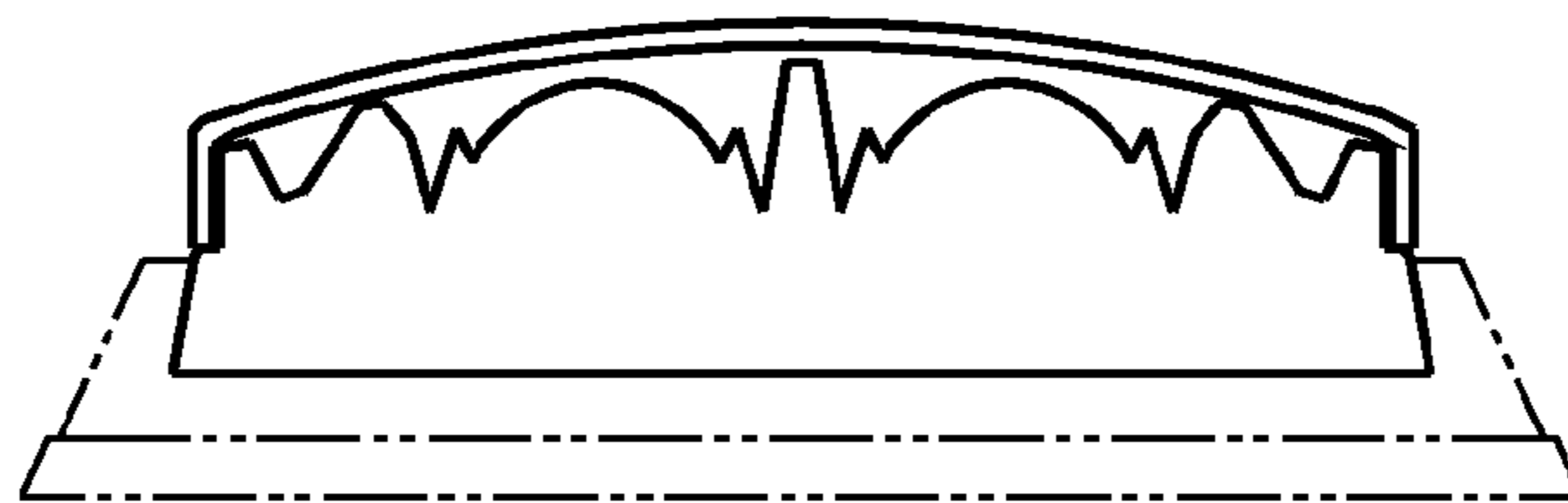
*Fig. 3*



*Fig. 4*



*Fig. 5*



*Fig. 6*