

US00D594754S

(12) **United States Design Patent**
Dretzka

(10) **Patent No.:** **US D594,754 S**

(45) **Date of Patent:** **** Jun. 23, 2009**

(54) **TISSUE HOLDER**

(75) Inventor: **Philip C. Dretzka**, Mariemont, OH (US)

(73) Assignee: **InterDesign, Inc.**, Solon, OH (US)

(**) Term: **14 Years**

(21) Appl. No.: **29/271,625**

(22) Filed: **Jan. 23, 2007**

(51) **LOC (9) Cl.** **09-01**

(52) **U.S. Cl.** **D9/734**

(58) **Field of Classification Search** D9/730,
D9/734, 763, 782, 414, 416, 417, 418, 430,
D9/500, 516, 559, 560, 561, 574; D6/512,
D6/515, 518, 519, 522, 523; D34/1, 7; 221/33,
221/34, 45-52, 59, 61-63, 192; 220/23.87,
220/694; 206/233, 494, 497, 570; D12/194
See application file for complete search history.

(56) **References Cited**

U.S. PATENT DOCUMENTS

4,513,862 A * 4/1985 Mallow 206/233
5,129,545 A * 7/1992 Parks 221/34
5,516,000 A * 5/1996 Freiburger et al. 221/48
D371,708 S * 7/1996 Haley et al. D6/518
D372,386 S * 8/1996 Kuchenbecker D6/518
5,740,913 A * 4/1998 McFarland 206/494
D436,273 S * 1/2001 Lange D6/519
D446,717 S * 8/2001 Lancaster et al. D9/418
D453,084 S * 1/2002 Lange D6/519
6,371,296 B1 * 4/2002 Rumbough 206/494
D464,513 S * 10/2002 Ong D6/518

6,591,989 B2 * 7/2003 McNeill 206/494
D487,870 S * 3/2004 Stewart et al. D9/782
D505,069 S * 5/2005 Keberlein D9/416
D514,437 S * 2/2006 Kim D9/416
D514,928 S * 2/2006 Keberlein D9/416
2004/0155039 A1 * 8/2004 Moody 220/23.87

OTHER PUBLICATIONS

InterDesign, Inc. Product Brochure—2004, pp. 18, 28.
InterDesign, Inc. Product Brochure - 2003, pp. 5, 6, 9, 10, 14, 16, 19,
22, including cover page and first sheet.
InterDesign, Inc. Product Brochure - 2004, pp. 18, 28, including
cover page and first sheet.

* cited by examiner

Primary Examiner—Stella M. Reid
Assistant Examiner—Shanda C. Hill

(74) *Attorney, Agent, or Firm*—D. Peter Hochberg; Sean F.
Mellino

(57) **CLAIM**

The ornamental design for a tissue holder, as shown and
described.

DESCRIPTION

FIG. 1 is a perspective view of a tissue holder showing my
new design;

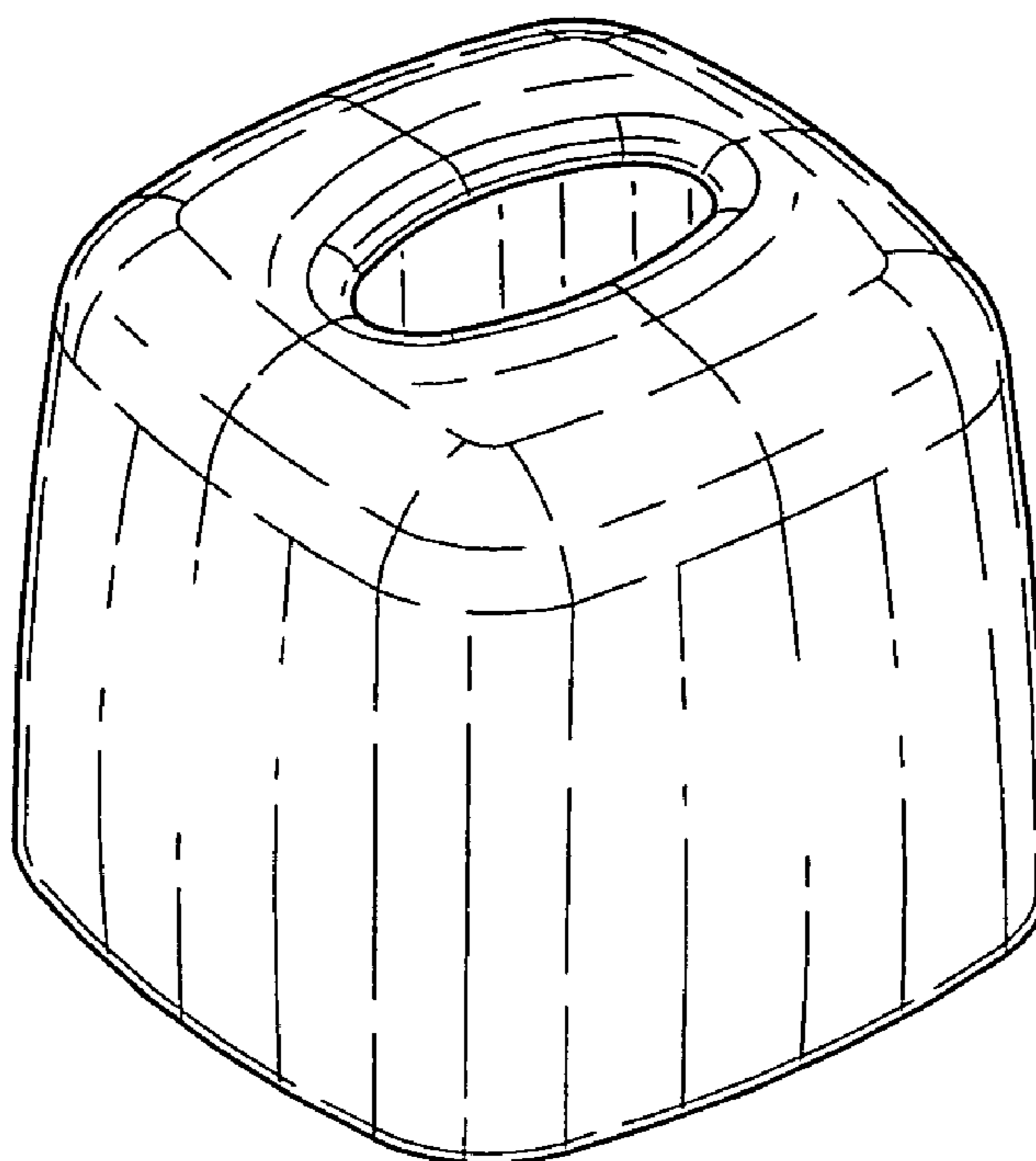
FIG. 2 is a top view of FIG. 1;

FIG. 3 is a front view of FIG. 1, the rear view being the same;

FIG. 4 is a side view of FIG. 1; and,

FIG. 5 is a bottom view of FIG. 1.

1 Claim, 1 Drawing Sheet



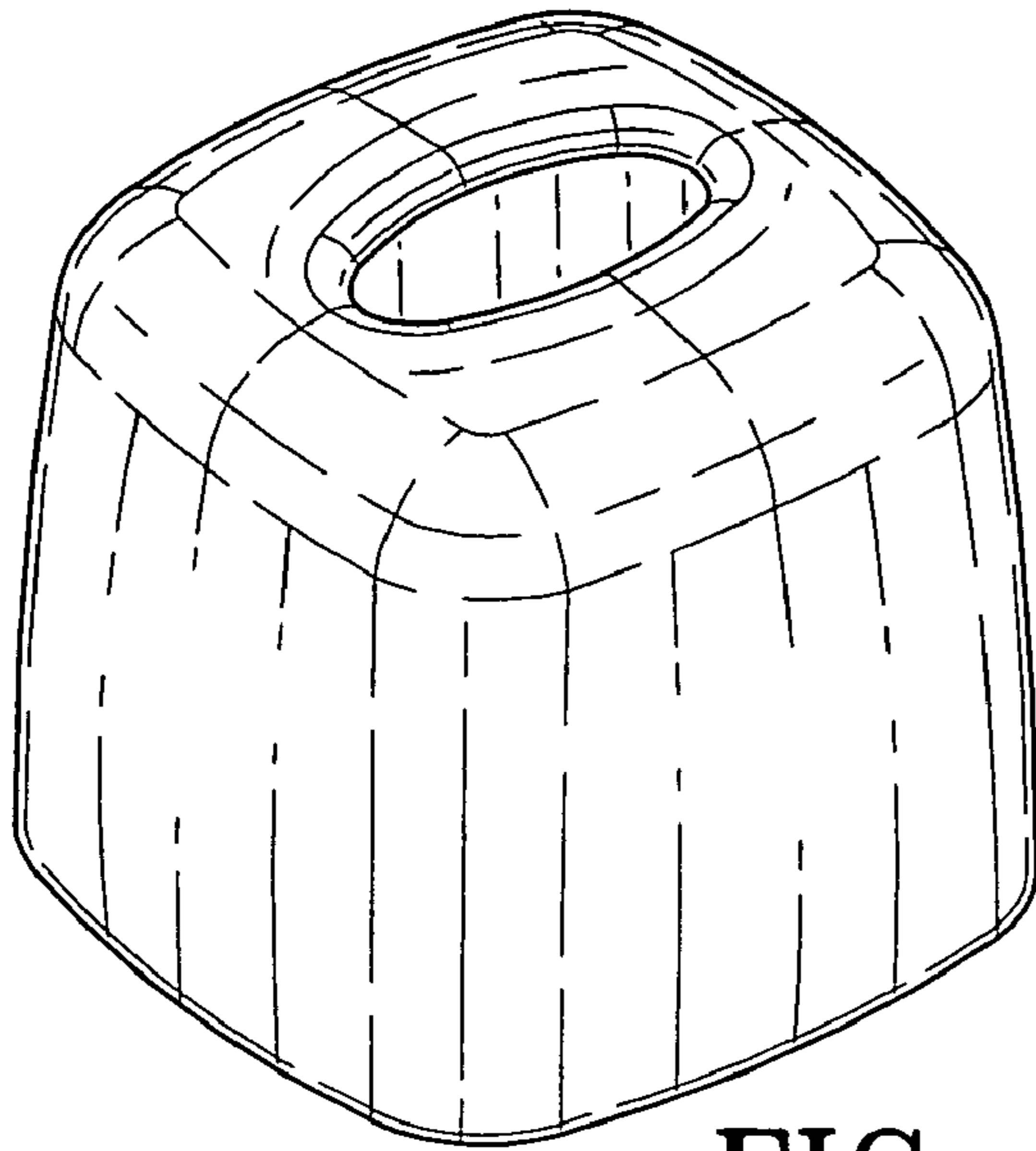


FIG-1

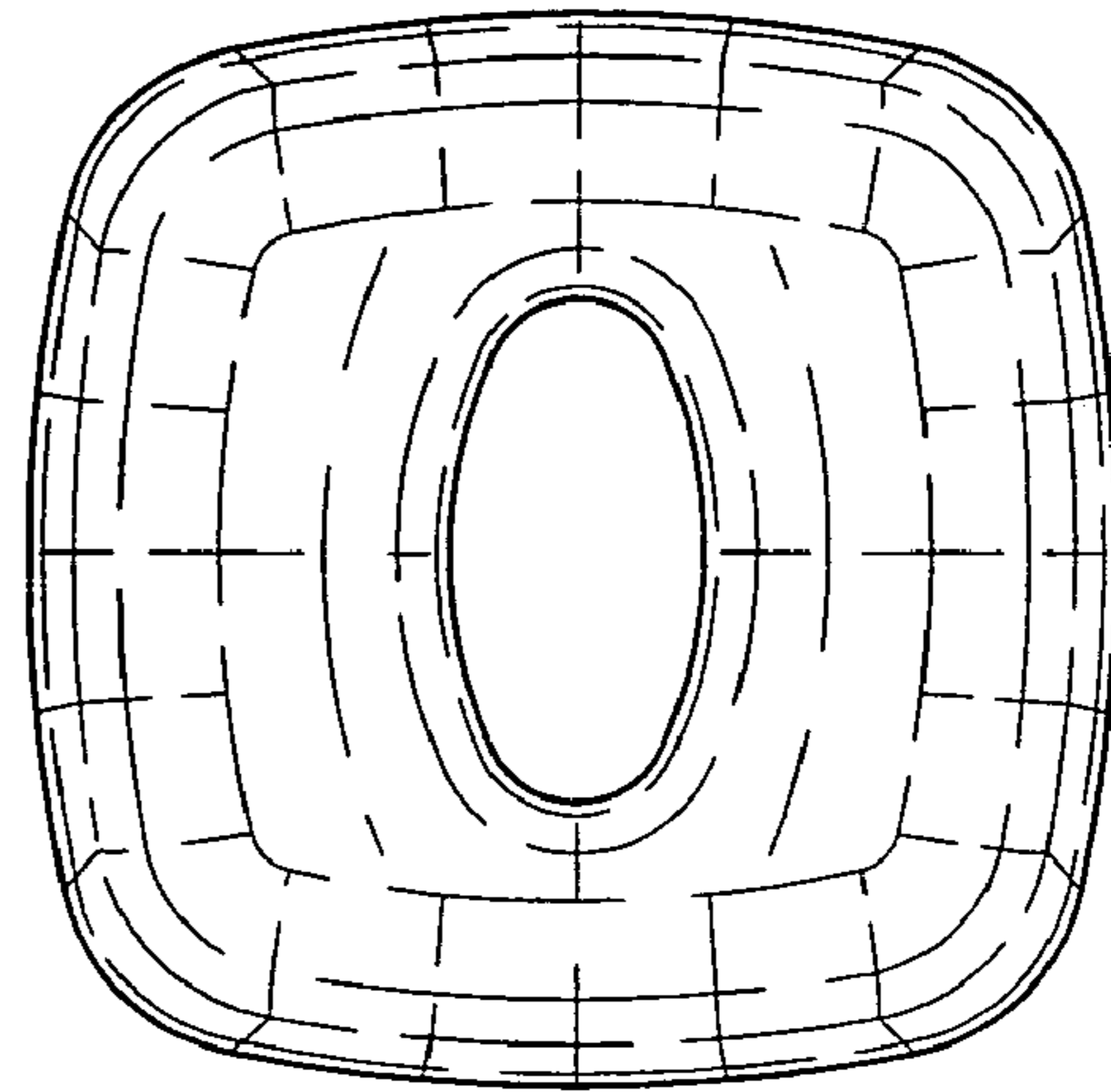


FIG-2

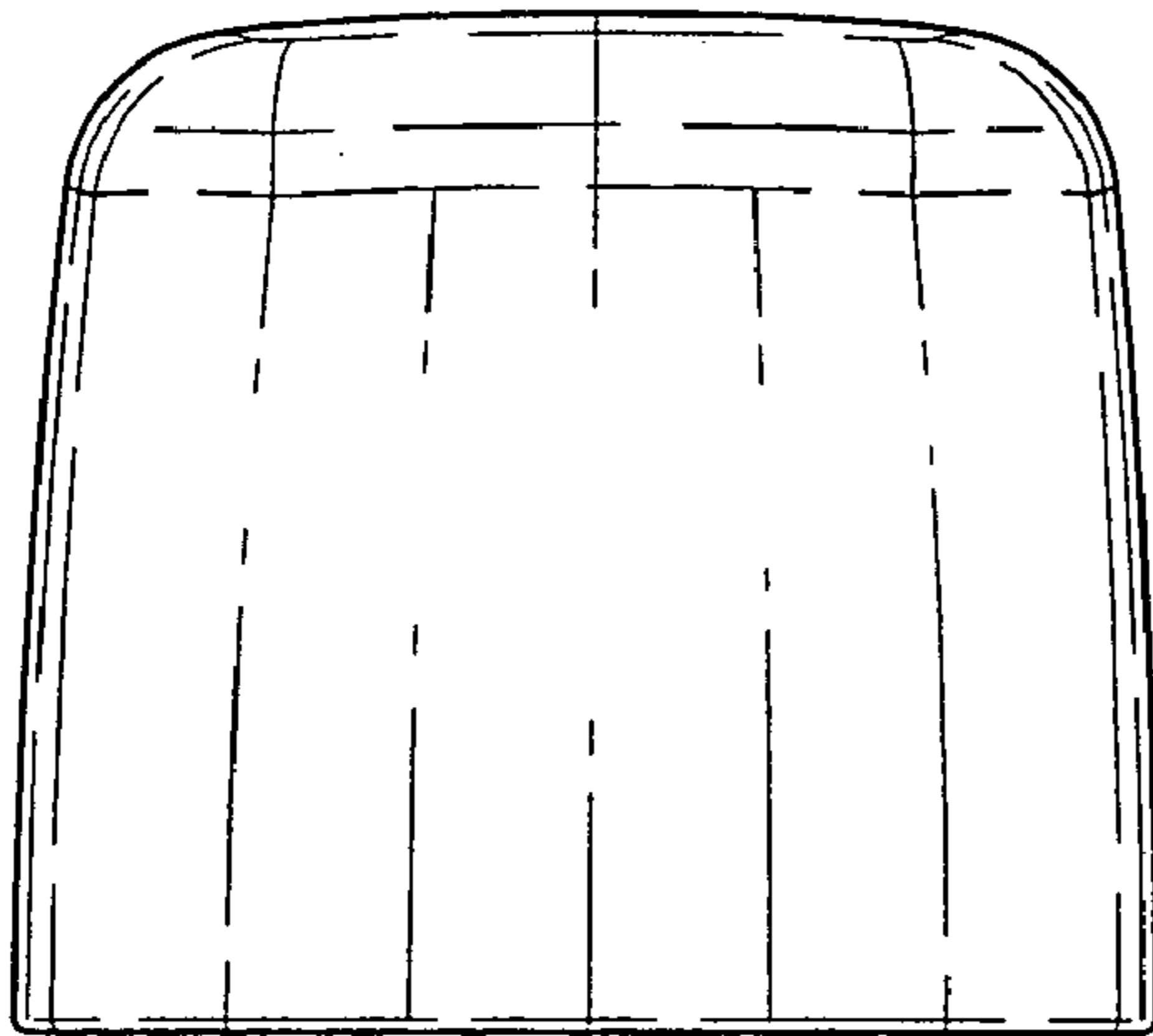


FIG-3

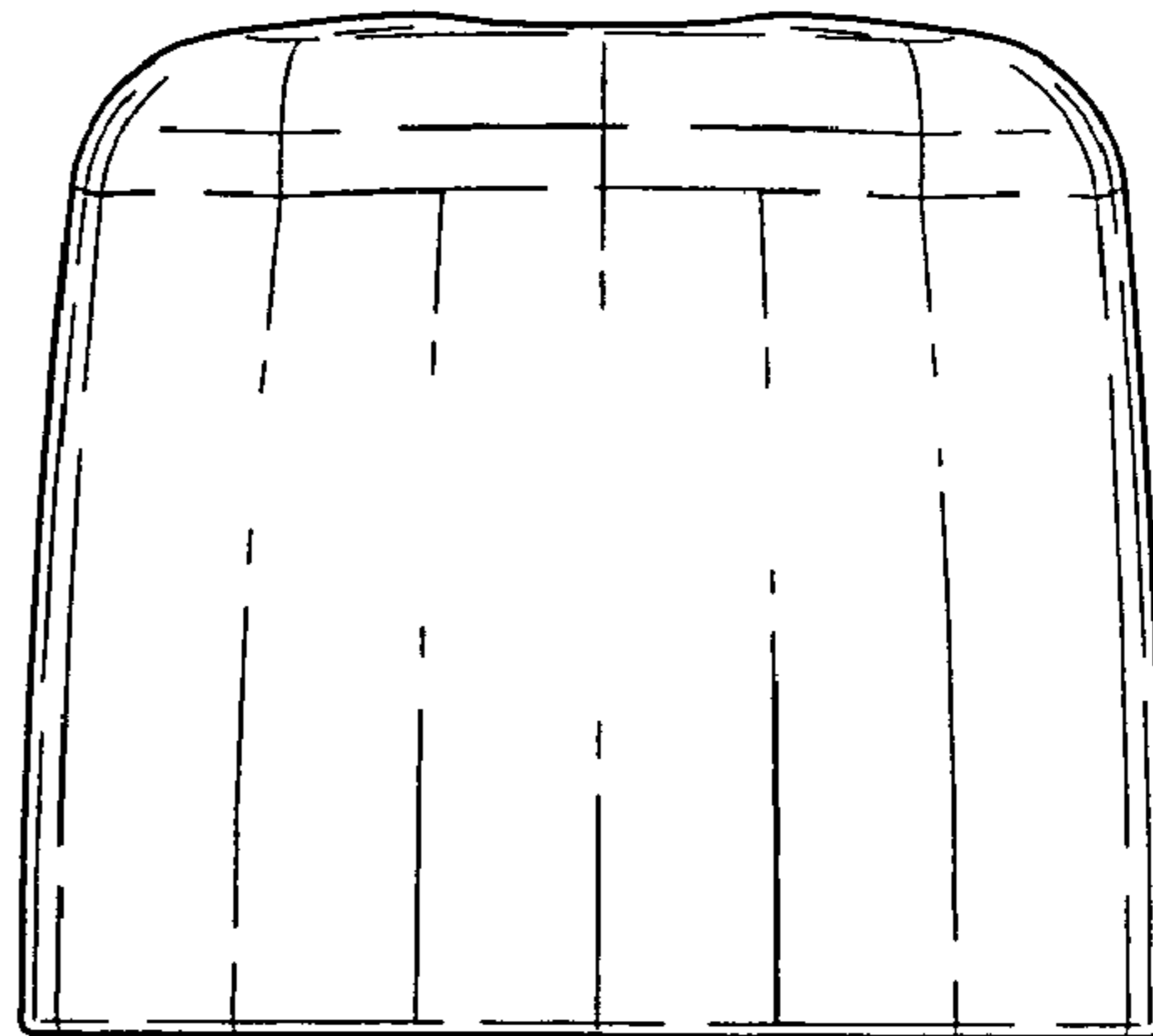


FIG-4

FIG-5

