



US00D594750S

(12) **United States Design Patent**
Westphal

(10) **Patent No.:** **US D594,750 S**

(45) **Date of Patent:** **** Jun. 23, 2009**

(54) **CONTAINER**

(75) Inventor: **Scott K. Westphal**, New York, NY (US)

(73) Assignee: **SKW Trust**, Miami Beach, FL (US)

(**) Term: **14 Years**

(21) Appl. No.: **29/274,613**

(22) Filed: **May 9, 2007**

(51) **LOC (9) Cl.** **09-01**

(52) **U.S. Cl.** **D9/536; D9/559; D9/569;**
D9/571; D9/443

(58) **Field of Classification Search** **D9/682-694,**
D9/516, 529, 530, 533, 536, 541, 542, 549,
D9/556, 559, 569, 571-573, 443; 215/382-384;
220/660, 669-673

See application file for complete search history.

(56) **References Cited**

U.S. PATENT DOCUMENTS

D40,138 S *	7/1909	Schramm	D9/532
D42,965 S *	9/1912	Guidry	D9/559
D45,605 S *	4/1914	Sanford	D7/531
D111,229 S *	9/1938	Spence	D7/531
D198,943 S *	8/1964	Morgan	D9/533
D200,123 S *	1/1965	Lorenzen	D9/533
D214,486 S *	6/1969	Cline	D9/533
D237,445 S *	11/1975	Schweizer	D7/598
D274,224 S *	6/1984	Weaver et al.	D9/556
D288,906 S *	3/1987	Strand	D9/533
5,040,698 A *	8/1991	Ramsey et al.	220/671

D345,105 S *	3/1994	Ramsey	D9/774
D367,426 S *	2/1996	Ruff	D9/774
D446,729 S *	8/2001	Renella et al.	D9/559
D451,031 S *	11/2001	Westphal	D9/558
D452,797 S *	1/2002	Palefsky et al.	D7/511
D515,934 S *	2/2006	Dalton et al.	D9/556
D542,136 S *	5/2007	Lilico	D9/520
D581,281 S *	11/2008	Westphal	D9/533
D581,289 S *	11/2008	Westphal	D9/779

* cited by examiner

Primary Examiner—Carol Rademaker

(74) *Attorney, Agent, or Firm*—Pillsbury Winthrop Shaw Pittman LLP

(57) **CLAIM**

The ornamental design for a container, as shown and described.

DESCRIPTION

FIG. 1 is a front perspective view of a bottle showing my new design;

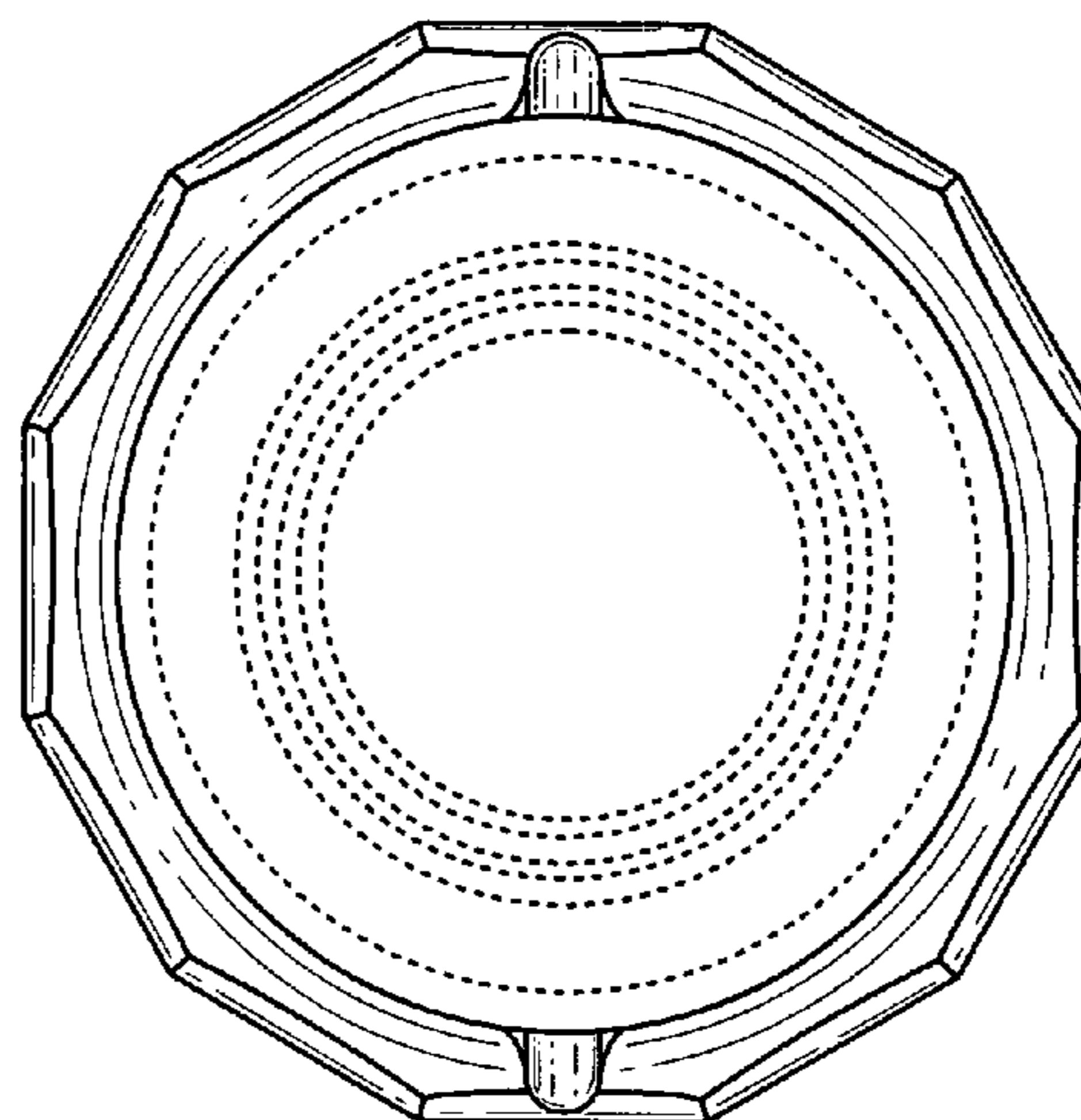
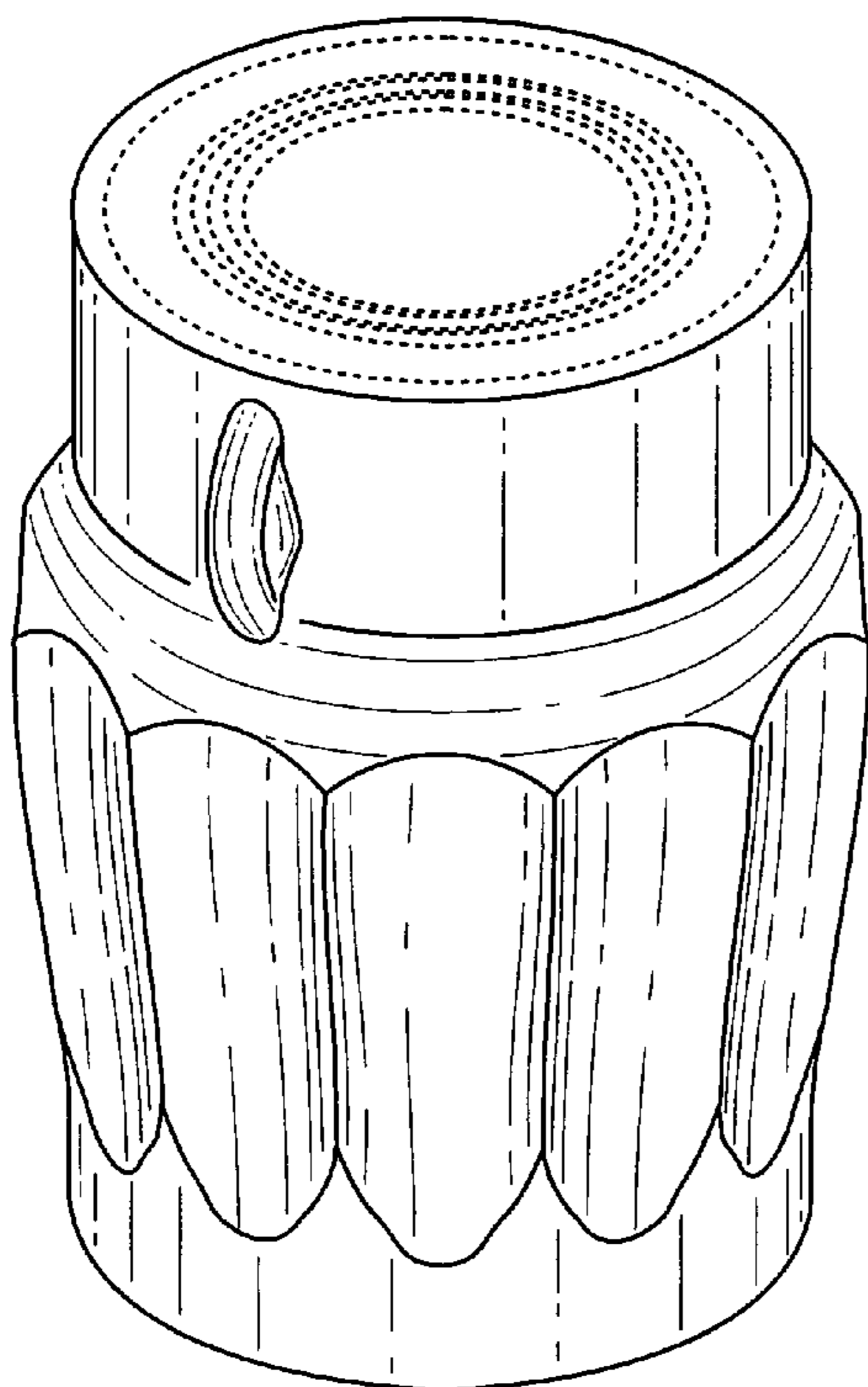
FIG. 2 is a front elevational view thereof;

FIG. 3 is a side elevational view thereof, rotated 90 degrees from the container of FIG. 1; and,

FIG. 4 is a top plan view thereof.

The broken lines shown in the drawings are included for the purpose of showing environmental structure that forms no part of the claimed design.

1 Claim, 3 Drawing Sheets



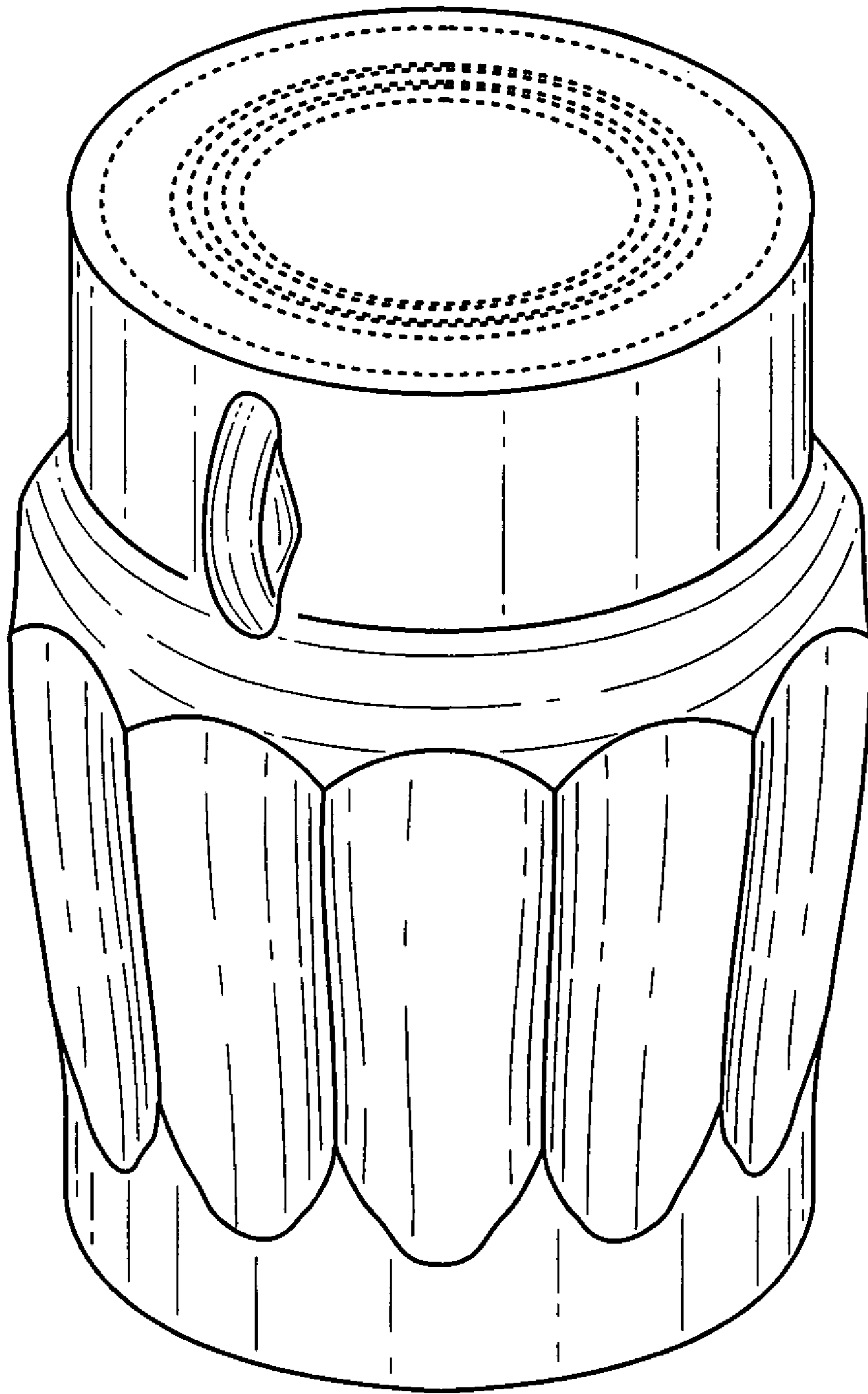


FIG. 1

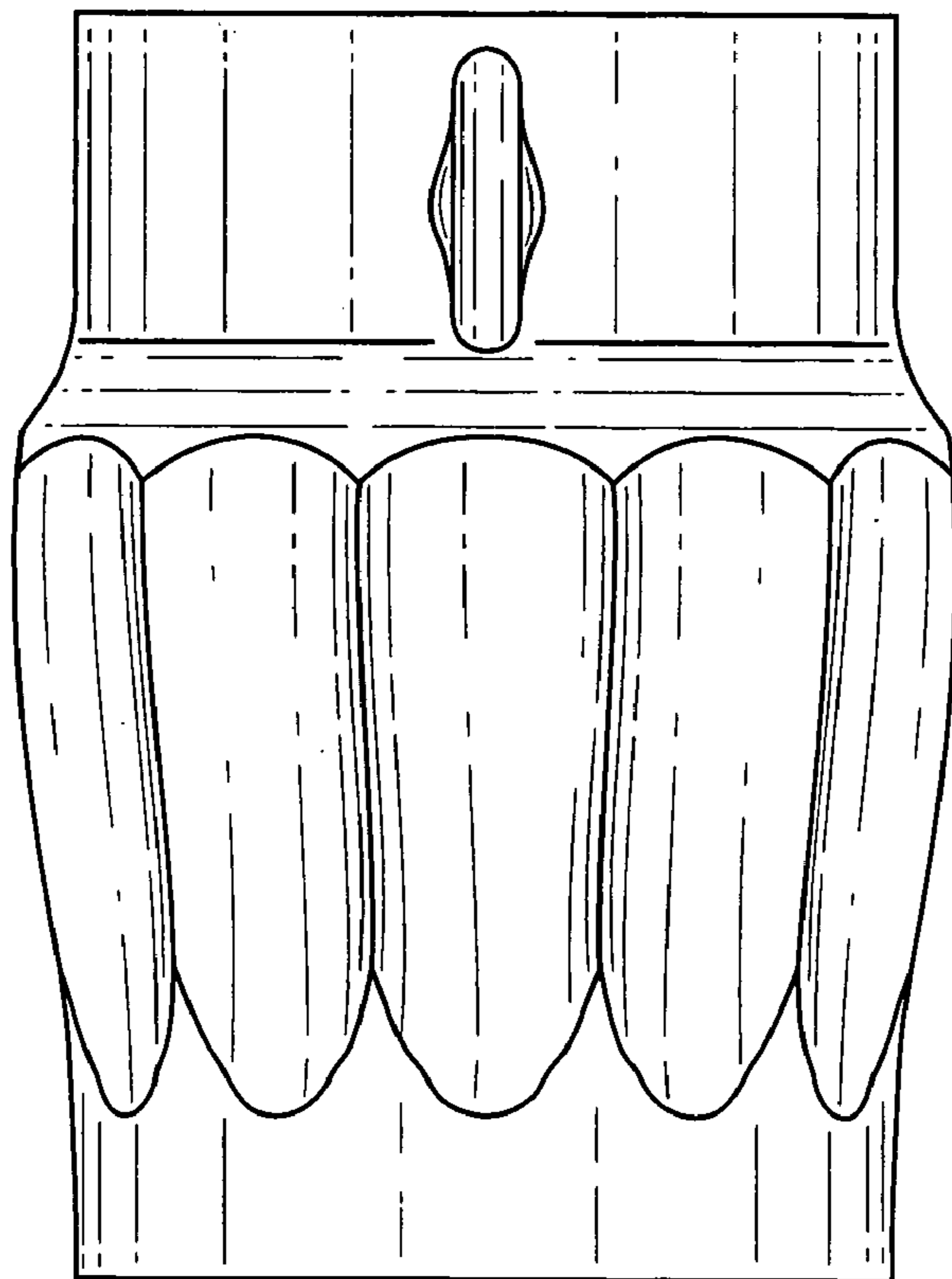


FIG. 2

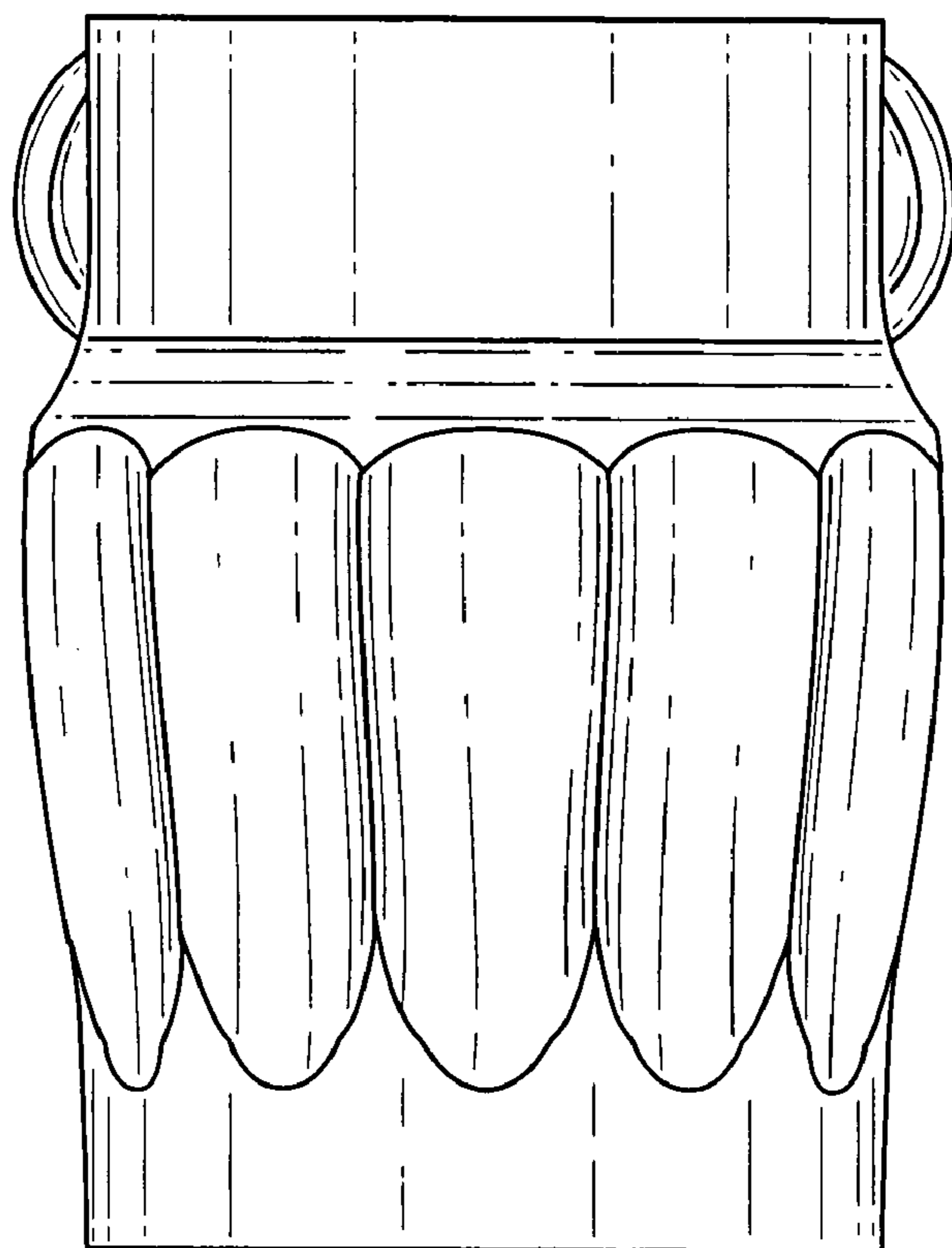


FIG. 3

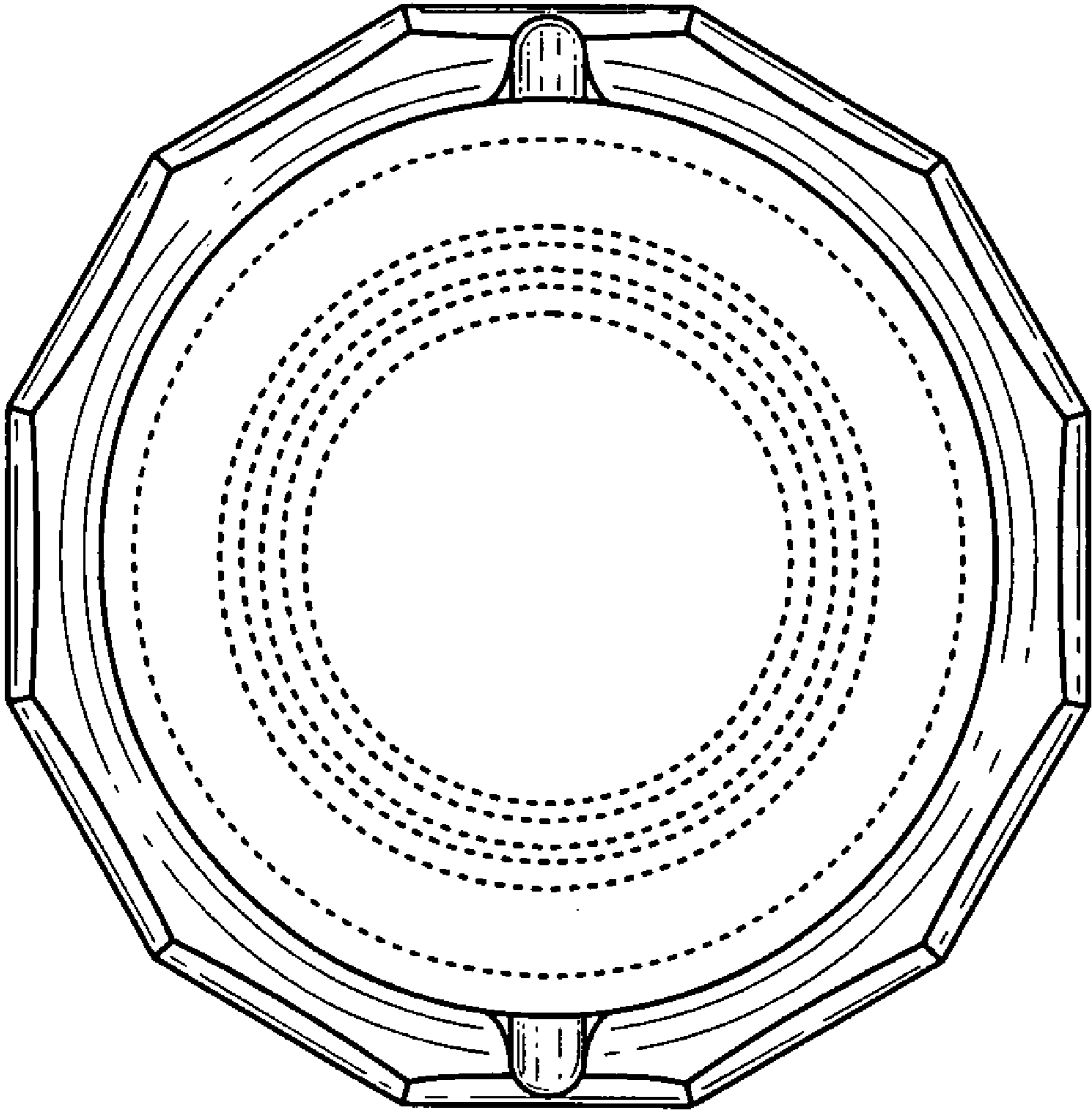


FIG. 4