

US00D594747S

(12) **United States Design Patent**  
**Moretti**

(10) **Patent No.:** **US D594,747 S**  
(45) **Date of Patent:** **\*\* Jun. 23, 2009**

(54) **AEROSOL DISPENSER CAP**

(75) Inventor: **Matteo Moretti**, Crema (IT)

(73) Assignee: **Lumson, S.p.A.**, Capergnanica (Cremona) (IT)

(\*\*) Term: **14 Years**

(21) Appl. No.: **29/324,660**

(22) Filed: **Sep. 17, 2008**

D441,654 S *	5/2001	Sayers .....	D9/448
D455,960 S *	4/2002	Dobbs et al. ....	D9/448
D457,429 S *	5/2002	Walters .....	D9/448
D479,995 S *	9/2003	Duceppe .....	D9/444
D488,380 S *	4/2004	Dobbs et al. ....	D9/448
D511,095 S *	11/2005	Auer .....	D9/448
D515,421 S *	2/2006	Rossignol .....	D9/448
D523,748 S *	6/2006	Witkowski et al. ....	D9/448
D532,692 S *	11/2006	Cornet et al. ....	D9/448
D547,183 S *	7/2007	Cornet et al. ....	D9/448
D547,654 S *	7/2007	Cornet et al. ....	D9/448
D551,077 S *	9/2007	Bloc .....	D9/448

**Related U.S. Application Data**

(62) Division of application No. 29/302,342, filed on Jan. 15, 2008.

**Foreign Application Priority Data**

Jul. 18, 2007 (EM) ..... 000758743

(51) **LOC (9) Cl.** ..... **09-07**

(52) **U.S. Cl.** ..... **D9/449; D9/435**

(58) **Field of Classification Search** ..... D9/754, D9/753, 752, 741, 728, 724, 697, 695, 529, D9/524, 516, 454, 447, 445, 444, 442, 443, D9/440, 439, 435, 434, 441, 686-693, 448, D9/438; D7/679, 590-597, 511, 510, 401.1, D7/398; 241/169, 169.1, 168; 229/906.1; 222/567, 566, 545, 482, 480, 356, 151, 149, 222/142.1-142.9, 635, 494, 491; 220/713, 220/254.1, 703, 269, 200, 234, 295, 304, 220/310.1, 378, 795, 804, 849, DIG. 19, 220/DIG. 4, DIG. 7, 915; D23/260, 259; 215/200, 231, 234, 364, DIG. 1; D24/216, D24/222, 224, 231; D19/57, 43; D28/7, D28/57

See application file for complete search history.

**References Cited**

**U.S. PATENT DOCUMENTS**

D310,723 S *	9/1990	Su .....	D24/110
D376,103 S *	12/1996	Knickerbocker .....	D9/448
D407,313 S *	3/1999	Wadsworth et al. ....	D9/448
D414,696 S *	10/1999	Sayers .....	D9/448

\* cited by examiner

*Primary Examiner*—Susan Bennett Hattan

(74) *Attorney, Agent, or Firm*—Corzen O'Connor

(57) **CLAIM**

I claim the ornamental design for an aerosol dispenser cap, as shown and described.

**DESCRIPTION**

FIG. 1 illustrates a right side front perspective view of an aerosol dispenser cap with a cover showing my new design, the left side front perspective view being a mirror image of the right side front perspective view;

FIG. 2 illustrates a left side view of an aerosol dispenser cap showing my new design, the right side view being a mirror image of the left side view;

FIG. 3 illustrates a rear view of an aerosol dispenser cap showing my new design;

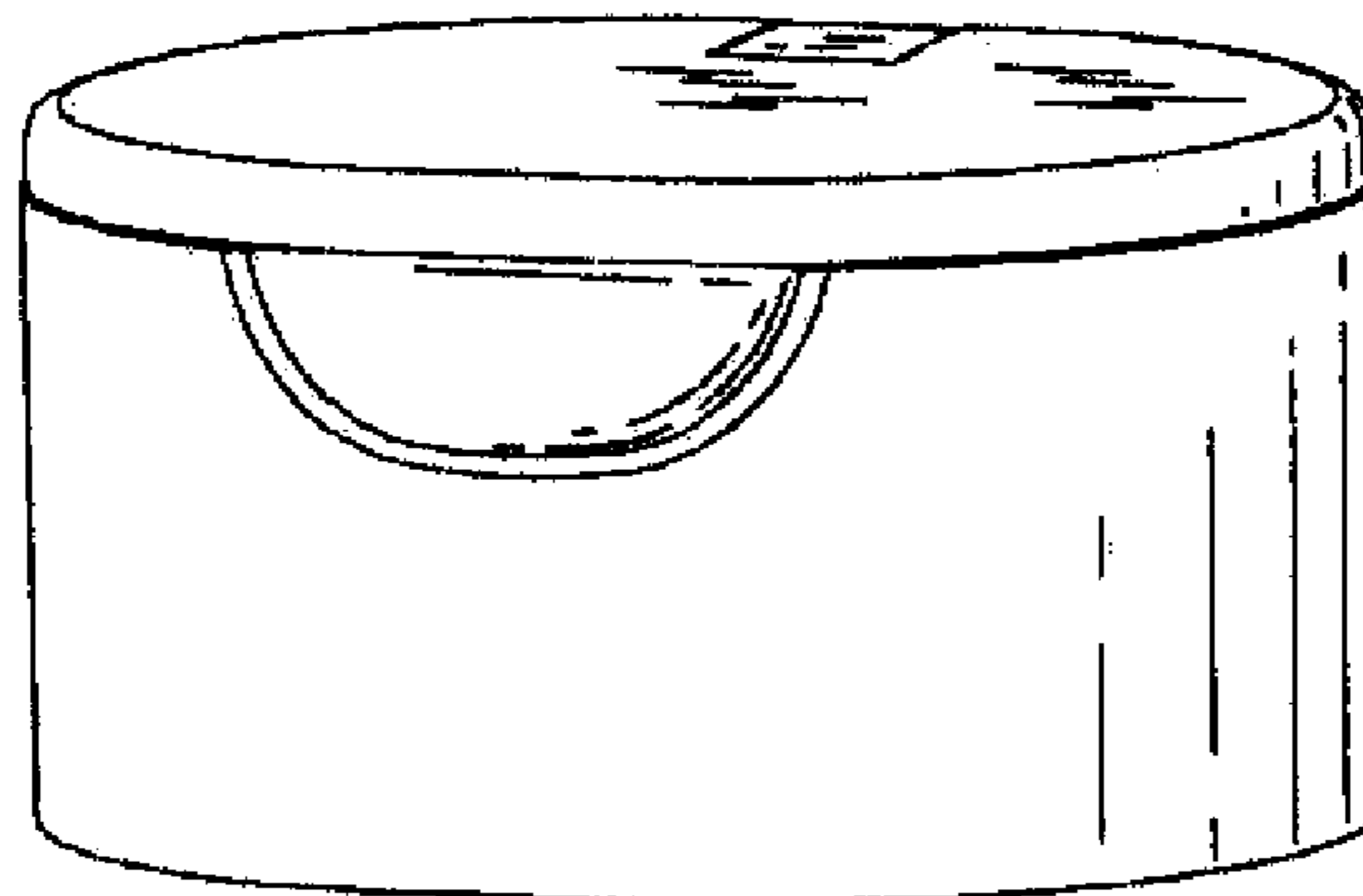
FIG. 4 illustrates a front view of an aerosol dispenser cap showing my new design;

FIG. 5 illustrates a top view of an aerosol dispenser cap showing my new design; and,

FIG. 6 illustrates a bottom view of an aerosol dispenser cap showing my new design.

The broken lines showing of the underside of the aerosol dispenser cap depict environmental subject matter only and form no part of the claimed design.

**1 Claim, 3 Drawing Sheets**



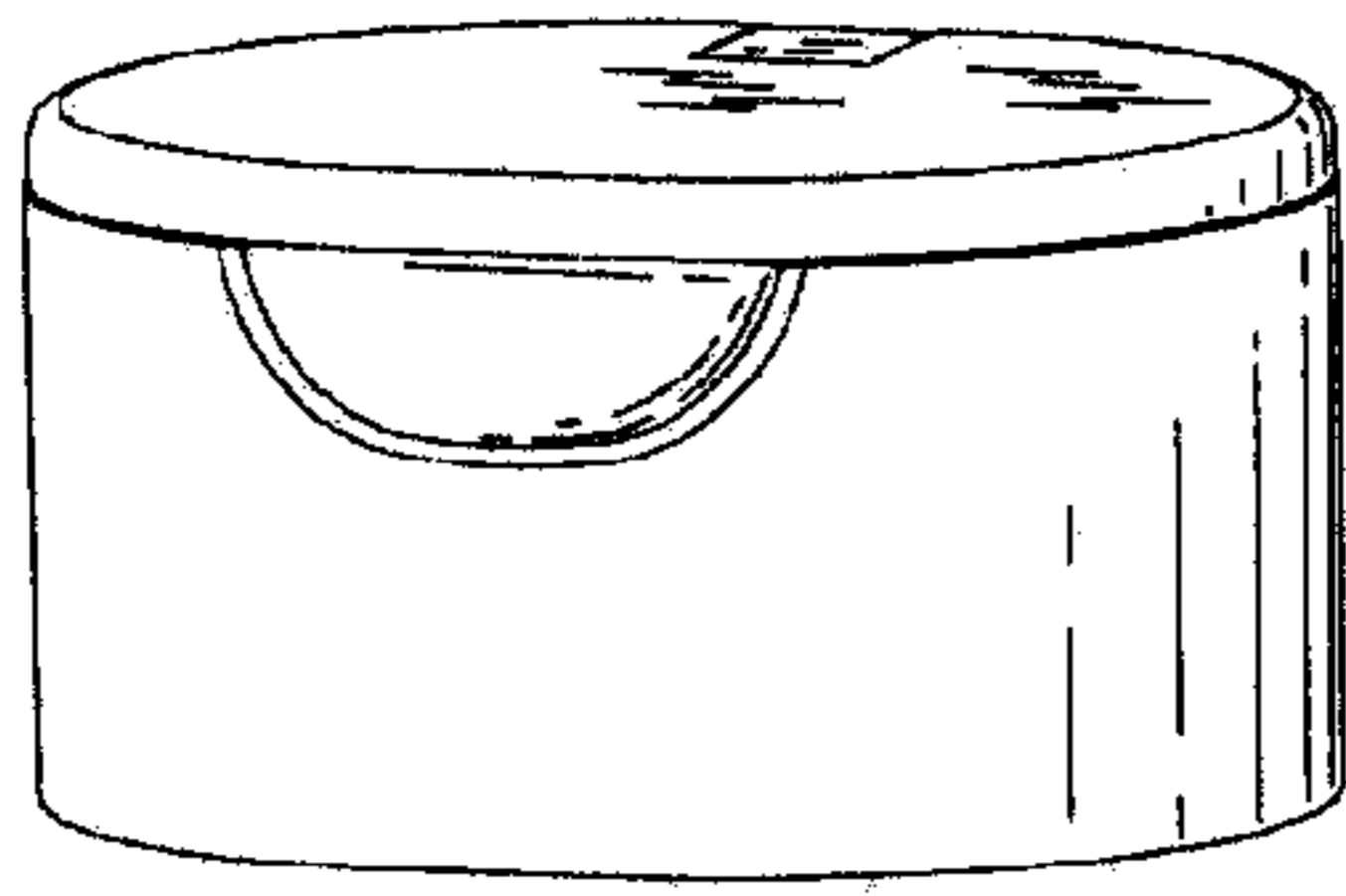


Fig. 1

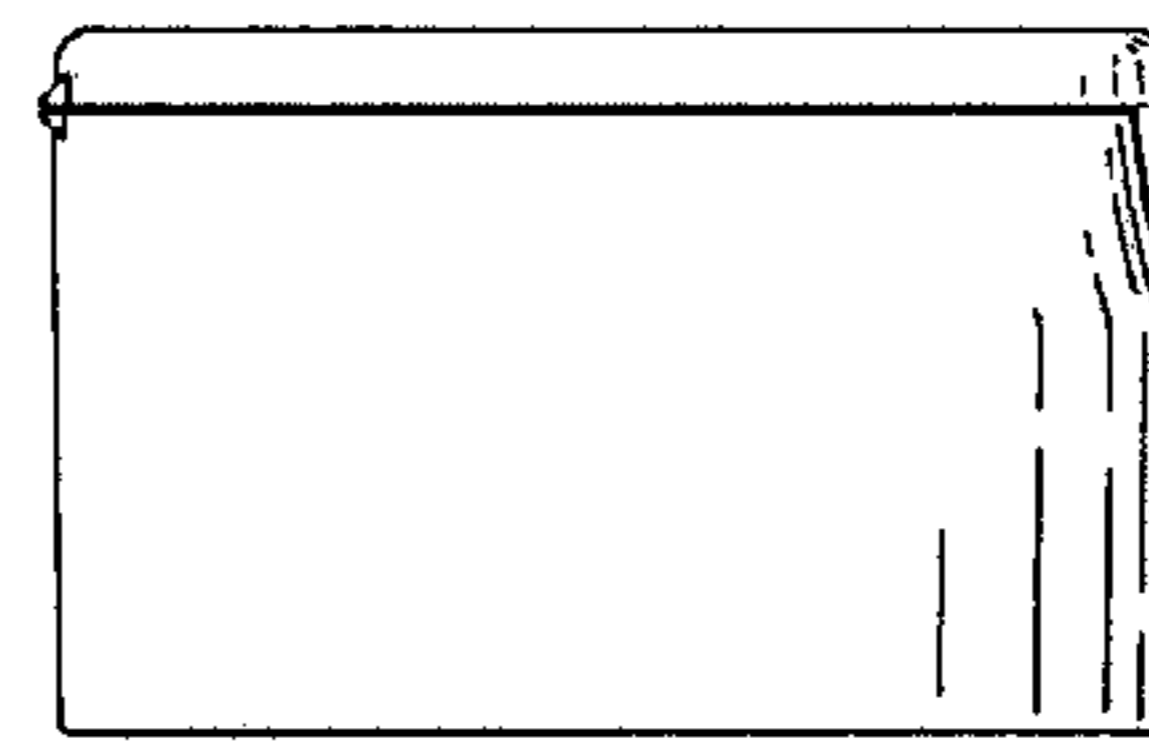


Fig. 2

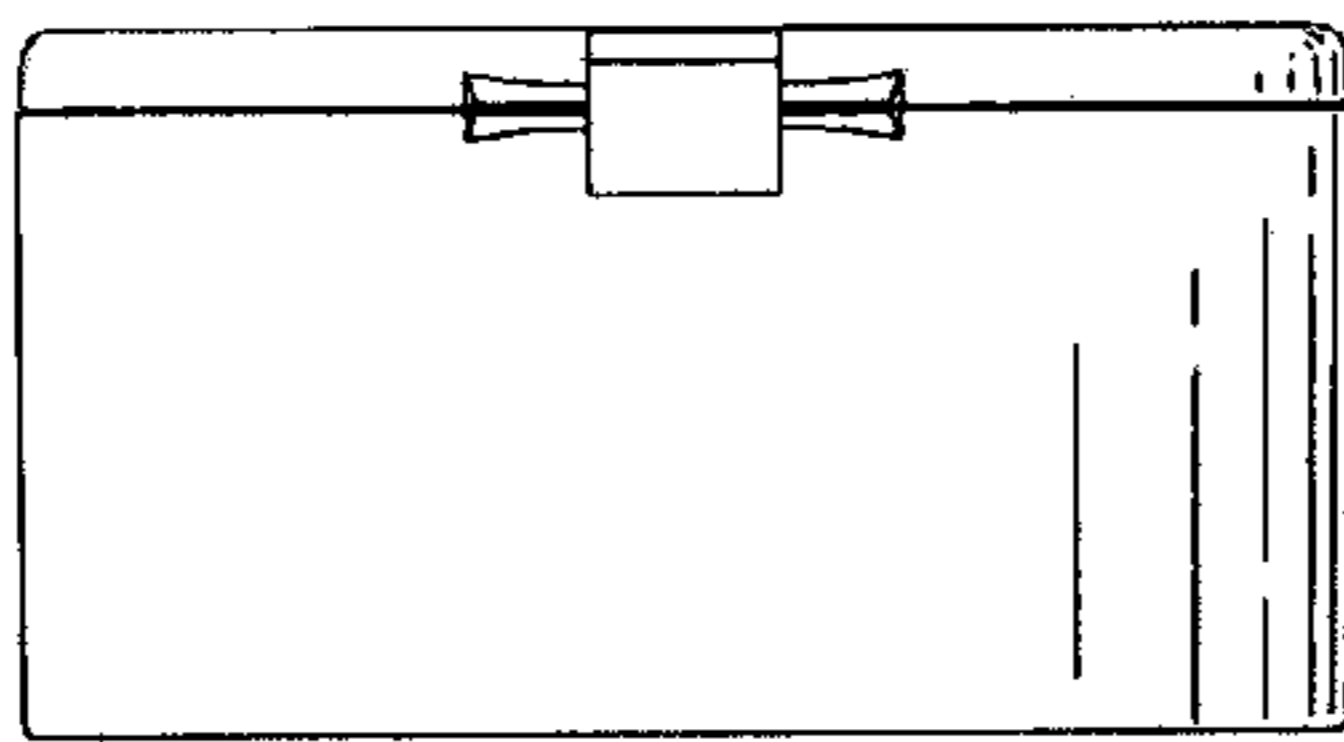


Fig. 3

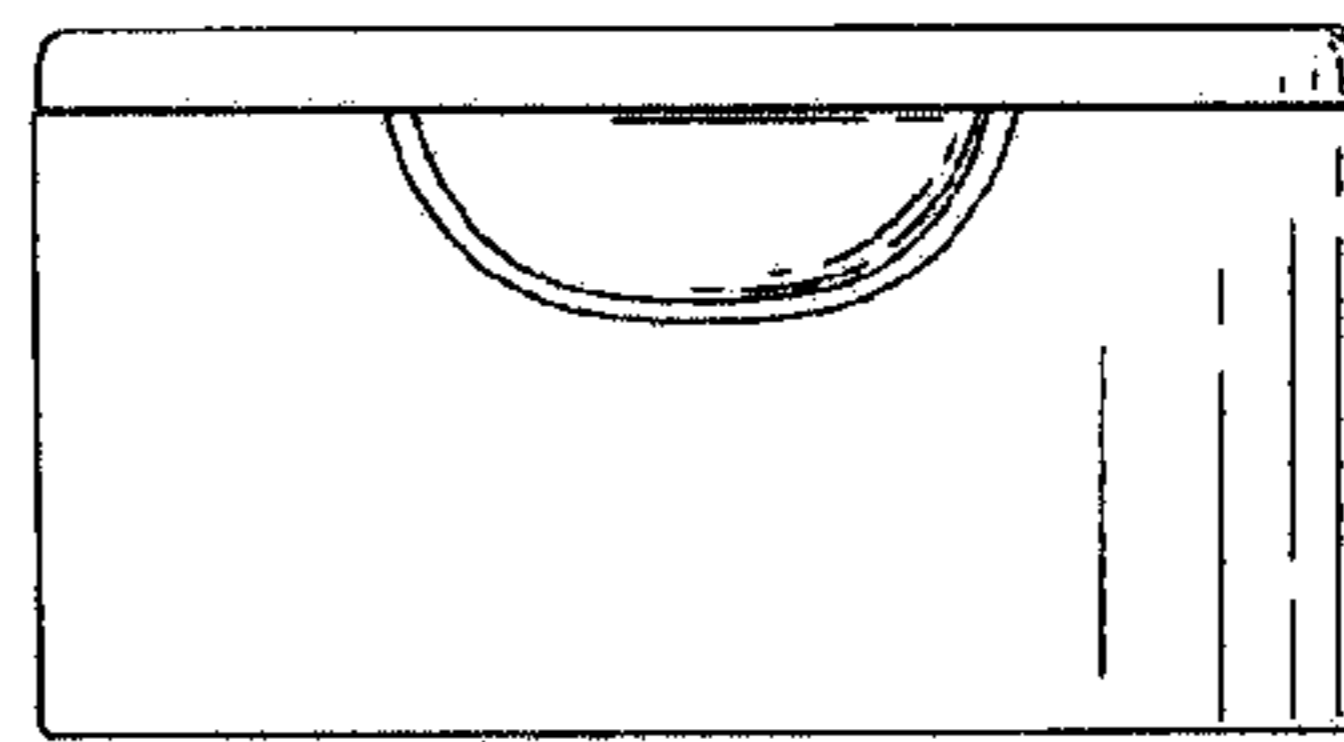
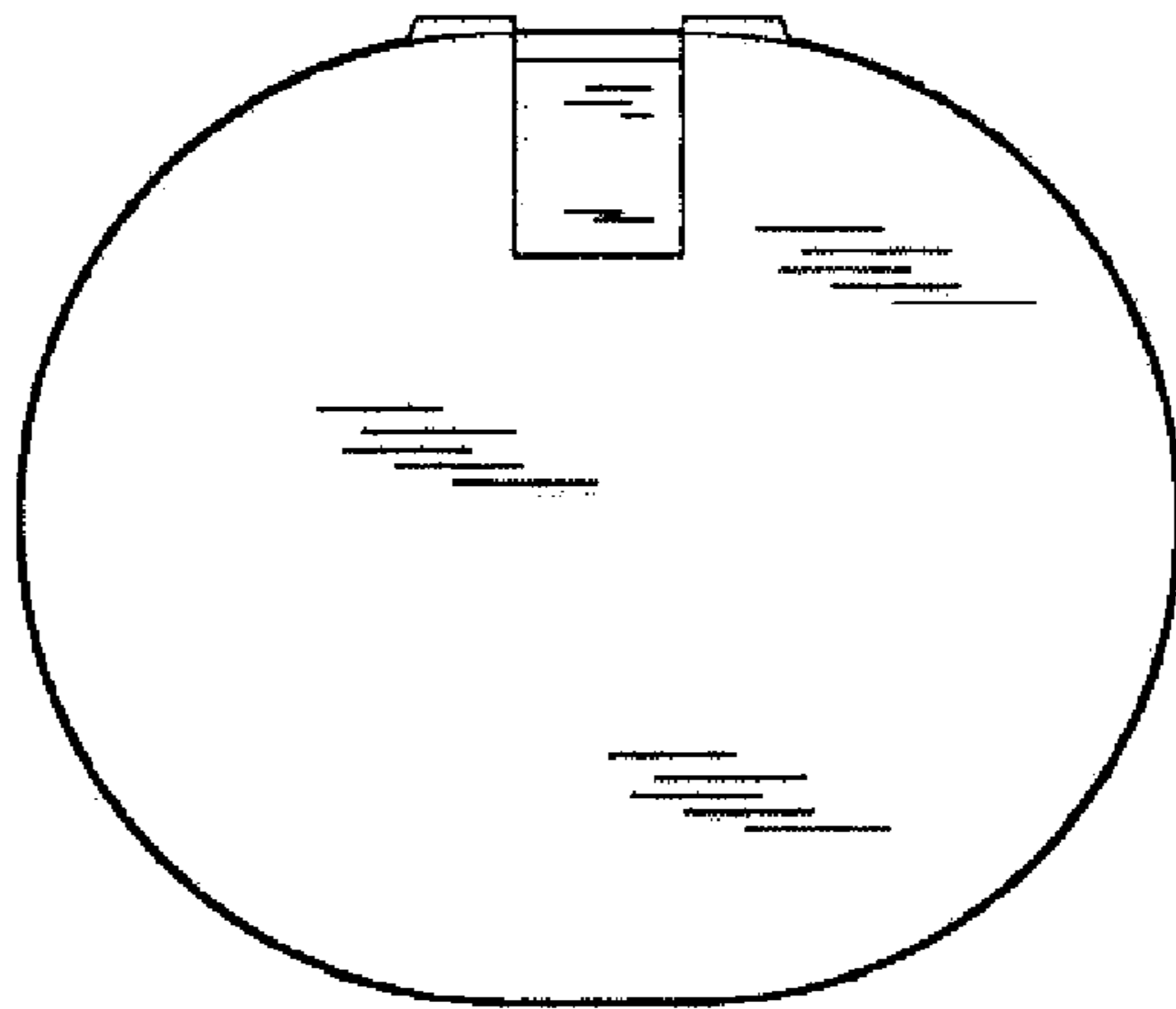


Fig. 4



*Fig. 5*

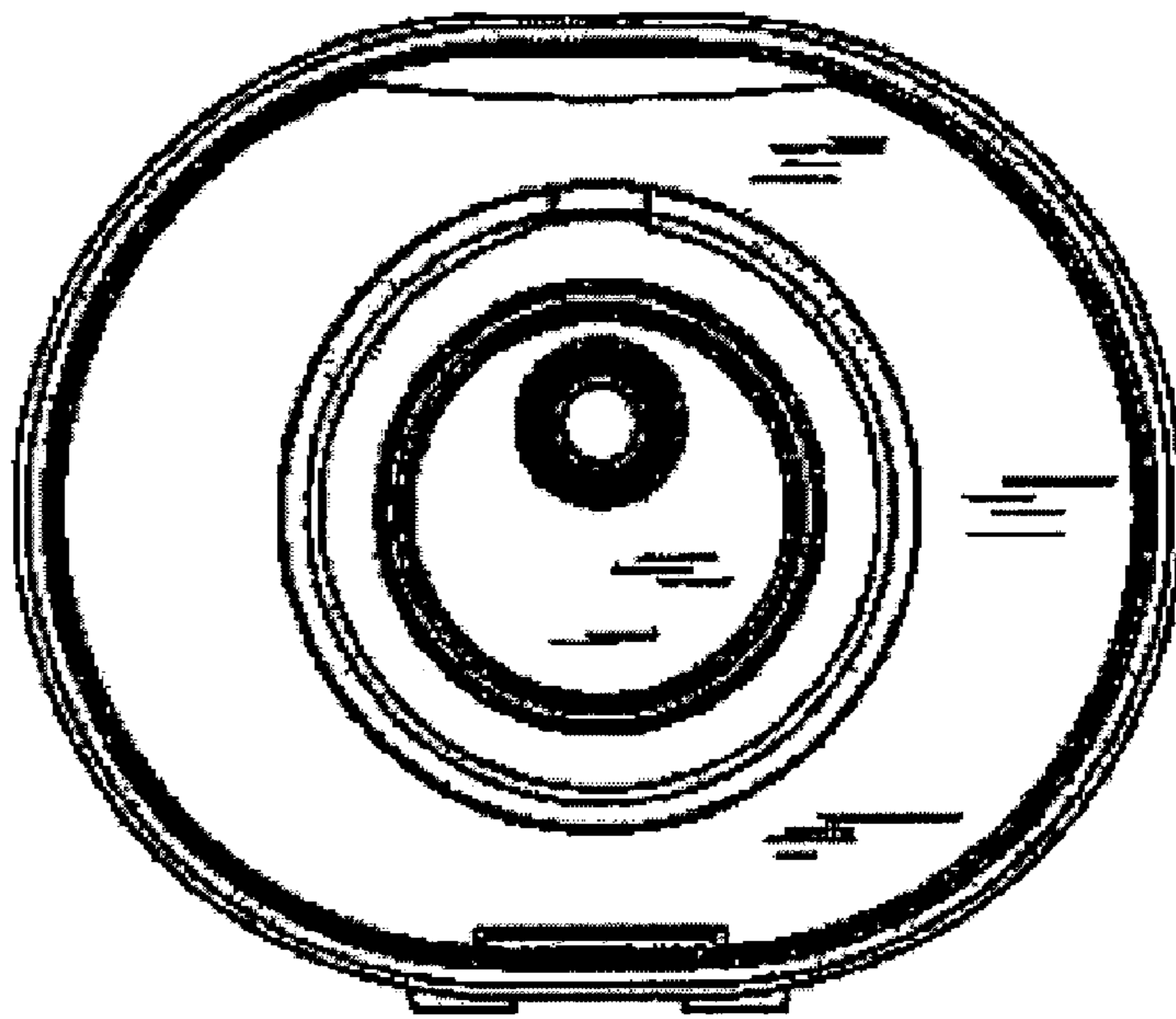


FIG. 6