



US00D594742S

(12) **United States Design Patent**  
**Meier et al.**

(10) **Patent No.:** **US D594,742 S**  
(45) **Date of Patent:** **\*\* Jun. 23, 2009**

(54) **PACKAGE**

214,639 A 2/1879 Emery

(Continued)

(75) Inventors: **Lucien Meier**, La Neuveville (CH);  
**Marcel Leenderd Rodolphe van Rijssel**, Gorgier (CH); **Guylann Collet**,  
Chavornay (CH); **Julia Christina Andersen**, Gilching (DE); **Stephanie Irmgard Pauline Tiling**, Krailling (DE)

FOREIGN PATENT DOCUMENTS

DE 269 876 2/1914

(Continued)

(73) Assignee: **Philip Morris USA Inc.**, Richmond, VA (US)

OTHER PUBLICATIONS

English translation of European Search Report issued in EP 05 11 1339, dated Jun. 22, 2006.

(Continued)

(\*\*) Term: **14 Years**

*Primary Examiner*—Catherine Tuttle

(21) Appl. No.: **29/264,293**

(74) *Attorney, Agent, or Firm*—Buchanan Ingersoll & Rooney PC

(22) Filed: **Aug. 8, 2006**

(30) **Foreign Application Priority Data**

Feb. 8, 2006 (EM) ..... 000477443

(57) **CLAIM**

The ornamental design for a package, as shown and described.

(51) **LOC (9) Cl.** ..... **09-03**

(52) **U.S. Cl.** ..... **D9/432**

(58) **Field of Classification Search** ..... D9/700,  
D9/701, 711, 715, 721, 734, 414, 418, 432;  
D3/201, 247, 297, 298, 302; D27/100, 101,  
D27/172, 715, 183, 186-191, 184; 229/100,  
229/103.2, 118, 122.32, 122.33, 122.34,  
229/125.01, 125.125, 125.12, 87.14, 87.13,  
229/92.8, 933, 937; 206/96, 104, 111, 122,  
206/131, 215, 236, 237, 240, 241, 242, 245,  
206/250, 254, 255, 259, 265, 267, 269, 270,  
206/271, 273, 274, 275, 276, 387.1, 424,  
206/472, 524.1, 525, 525.1, 39.5-39.7; 131/105,  
131/111-113, 347-368

**DESCRIPTION**

FIG. 1 is a top, front, side perspective view of a package showing our new design in a closed position.

FIG. 2 is a top, front, side perspective view thereof in a partially opened position.

FIG. 3 is a perspective view thereof in a fully opened position.

FIG. 4 is a front elevational view in the closed position, the rear elevational view being a mirror image thereof.

FIG. 5 is a top plan view, the bottom plan view being a mirror image thereof; and,

FIG. 6 is a right side elevational view; the left side elevational view being a mirror image thereof.

See application file for complete search history.

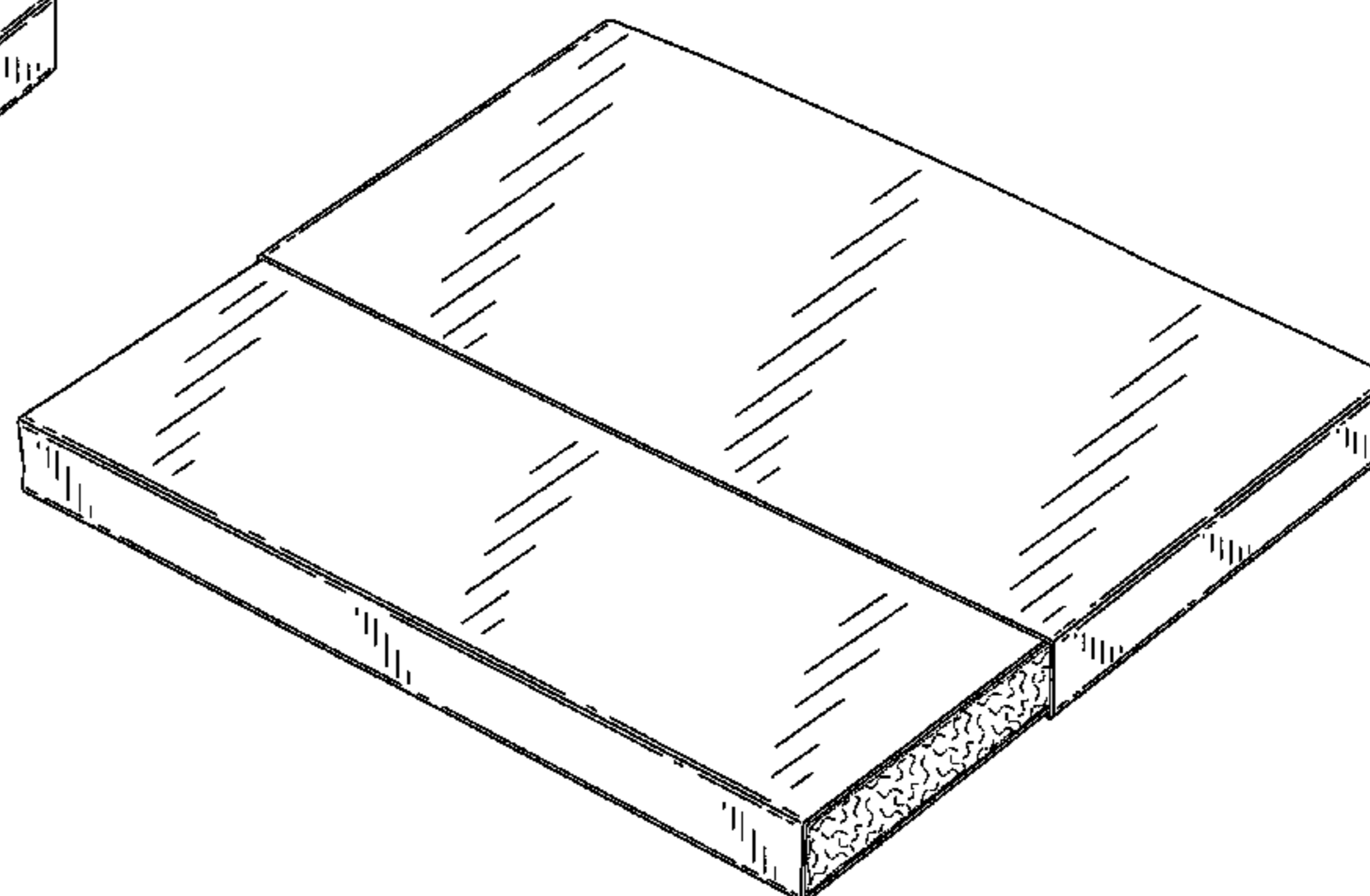
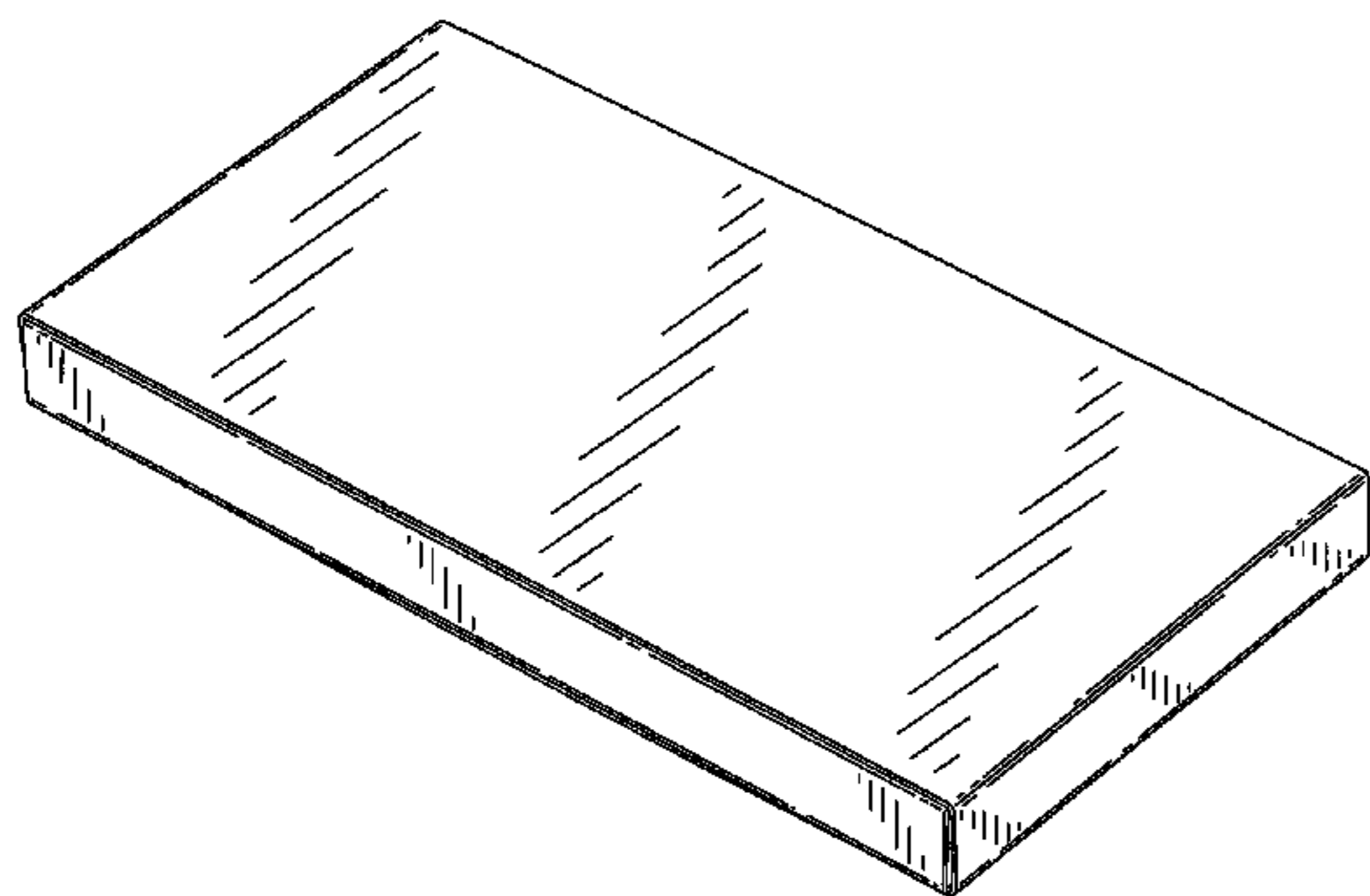
The broken lines are included for the purpose of illustrating an associated tobacco product that forms no part of the claimed design.

(56) **References Cited**

U.S. PATENT DOCUMENTS

45,489 A 12/1864 Green

**1 Claim, 6 Drawing Sheets**



# US D594,742 S

## U.S. PATENT DOCUMENTS

|           |      |         |                   |       |             |
|-----------|------|---------|-------------------|-------|-------------|
| 234,608   | A *  | 11/1880 | Painter           | ..... | 131/368     |
| 385,924   | A *  | 7/1888  | Griswold          | ..... | 229/122     |
| 414,077   | A *  | 10/1889 | Pike              | ..... | 229/103.2   |
| 695,201   | A *  | 3/1902  | Ferres            | ..... | 229/125.125 |
| 1,144,824 | A    | 6/1915  | Duda              |       |             |
| 1,365,969 | A    | 1/1921  | Dula              |       |             |
| 1,718,678 | A    | 6/1929  | Alland            |       |             |
| 2,193,439 | A *  | 3/1940  | Van Doren         | ..... | 131/365     |
| 2,329,866 | A *  | 9/1943  | Van Sickels       | ..... | 206/256     |
| 2,479,453 | A *  | 8/1949  | Amatel            | ..... | 206/723     |
| 2,551,095 | A    | 5/1951  | Chaze             |       |             |
| 3,491,768 | A    | 1/1970  | Paynter           |       |             |
| D222,402  | S *  | 10/1971 | Burnhill          | ..... | D9/737      |
| 3,881,599 | A *  | 5/1975  | Flaherty          | ..... | 206/273     |
| 4,155,367 | A    | 5/1979  | Rudszinat et al.  |       |             |
| 4,167,091 | A    | 9/1979  | Ruppert et al.    |       |             |
| 4,303,082 | A    | 12/1981 | Thompson et al.   |       |             |
| 4,453,631 | A *  | 6/1984  | Mark              | ..... | 206/313     |
| 4,609,104 | A *  | 9/1986  | Kasper et al.     | ..... | 206/524.2   |
| 4,620,551 | A    | 11/1986 | Ruppert et al.    |       |             |
| 4,627,223 | A *  | 12/1986 | Janhonen          | ..... | 53/449      |
| 4,658,837 | A    | 4/1987  | Ruppert et al.    |       |             |
| 4,887,617 | A    | 12/1989 | Ruppert et al.    |       |             |
| 5,009,237 | A    | 4/1991  | Ruppert et al.    |       |             |
| 5,072,740 | A    | 12/1991 | Gatschmann et al. |       |             |
| 5,141,000 | A    | 8/1992  | Ruppert et al.    |       |             |
| 5,167,241 | A    | 12/1992 | Ruppert et al.    |       |             |
| 5,197,495 | A    | 3/1993  | Ruppert et al.    |       |             |
| 5,526,825 | A    | 6/1996  | Ruppert et al.    |       |             |
| 5,615,692 | A    | 4/1997  | Ruppert et al.    |       |             |
| 5,749,378 | A    | 5/1998  | Ruppert et al.    |       |             |
| 6,491,211 | B1 * | 12/2002 | Evans et al.      | ..... | 229/102     |

## FOREIGN PATENT DOCUMENTS

|    |           |    |         |
|----|-----------|----|---------|
| DE | 338800    | C1 | 7/1921  |
| DE | 471 253   |    | 2/1932  |
| DE | 2 049 587 |    | 5/1972  |
| DE | 2 139 242 |    | 3/1973  |
| DE | 26 24 493 | A1 | 12/1977 |
| DE | 28 49 920 | A1 | 5/1979  |
| DE | 31 49 584 | A1 | 6/1983  |
| DE | 32 44 906 | A1 | 6/1984  |
| DE | 37 06 504 | A1 | 9/1988  |
| DE | 37 06 960 | A1 | 9/1988  |
| DE | 37 11 061 | A1 | 10/1988 |

|    |                 |    |         |
|----|-----------------|----|---------|
| DE | 41 10 830       | C1 | 5/1992  |
| DE | 41 07 027       | A1 | 9/1992  |
| DE | 43 39 039       | A1 | 5/1995  |
| DE | 44 47 794       | C2 | 11/2002 |
| DE | 195 28 581      | B4 | 5/2004  |
| DE | 103 46 649      | A1 | 5/2005  |
| DE | 44 47 795       | B4 | 4/2006  |
| DE | 10 2005 015 849 | A1 | 10/2006 |
| DE | 20 2006 009 386 | U1 | 10/2006 |
| DE | 20 2006 018 957 | U1 | 6/2007  |
| EP | 0 144 060       | A2 | 6/1985  |
| EP | 38 31 420       | A1 | 3/1990  |
| EP | 0 399 143       | A1 | 11/1990 |
| EP | 0 584 805       | A1 | 3/1994  |
| EP | 0 532 728       | B1 | 11/1994 |
| EP | 0 647 411       | A1 | 4/1995  |
| EP | 0 378 774       | A3 | 7/1999  |
| EP | 0 970 626       | A1 | 1/2000  |
| EP | 1 138 214       | A2 | 10/2001 |
| EP | 1 177 731       | A2 | 2/2002  |
| EP | 1 604 577       | A2 | 12/2005 |
| EP | 1 772 068       | A1 | 4/2007  |
| FR | 981 912         |    | 6/1951  |
| WO | WO 03/082030    | A1 | 10/2003 |
| WO | WO 2004/047569  | A2 | 6/2004  |
| WO | 2005/104881     | A1 | 11/2005 |
| WO | 2006/102763     | A1 | 10/2006 |
| WO | 2006/130367     | A2 | 12/2006 |
| WO | 2007/058811     | A1 | 5/2007  |
| WO | 2007/060226     | A1 | 5/2007  |
| WO | 2007/076349     | A1 | 7/2007  |

## OTHER PUBLICATIONS

European Search Report issued in EP 06 10 0613, dated Jun. 20, 2006.

International Search Report and Written Opinion of Jan. 29, 2007 (issued by the EPO for PCT/EP2006/068905).

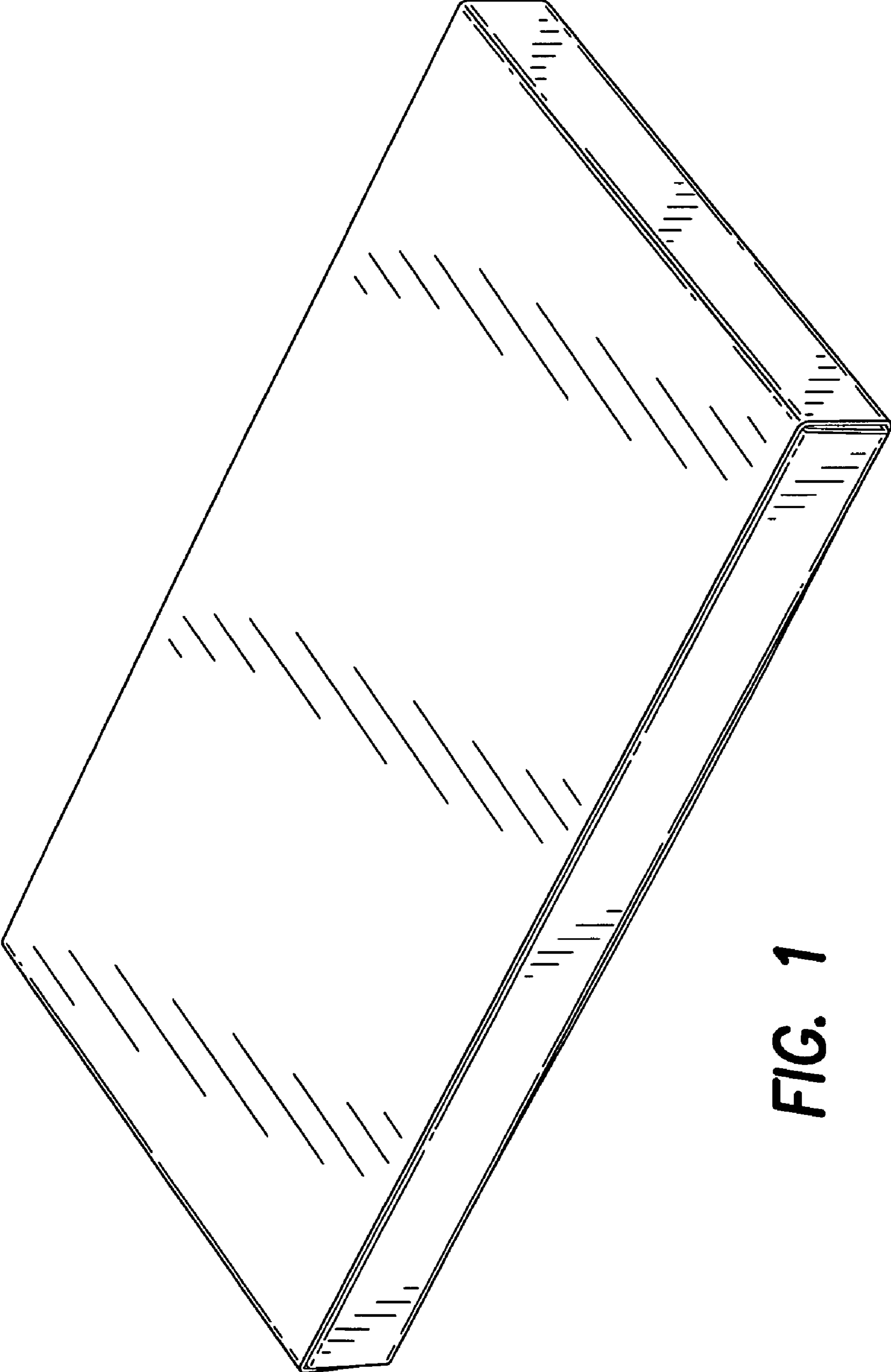
Reynald Aeschlimann et al., U.S. Appl. No. 11/603,096, filed Nov. 22, 2006, entitled "Tobacco Slab".

Julia C. Andersen et al., U.S. Appl. No. 11/603,249, filed Nov. 22, 2006 "Device for Filling Cigarette Tubes with Tobacco".

Andre Feldmann, et al., U.S. Appl. No. 29/269,145, filed Nov. 22, 2006, entitled "Cigarette Forming Machine".

Lucien Meier et al., U.S. Appl. No. 29/264,284, filed Aug. 8, 2006, entitled "Tobacco Block".

\* cited by examiner



**FIG. 1**

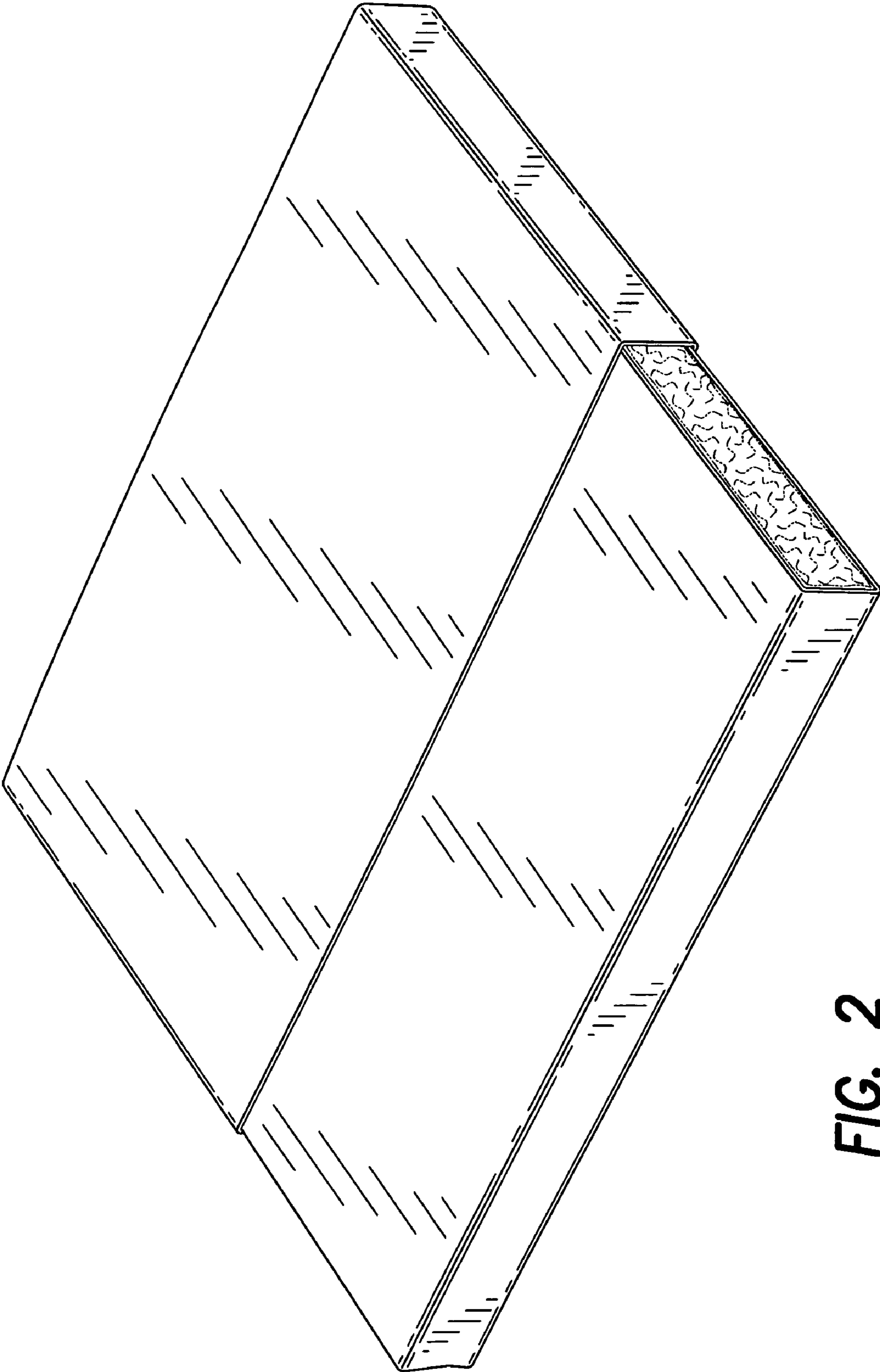


FIG. 2

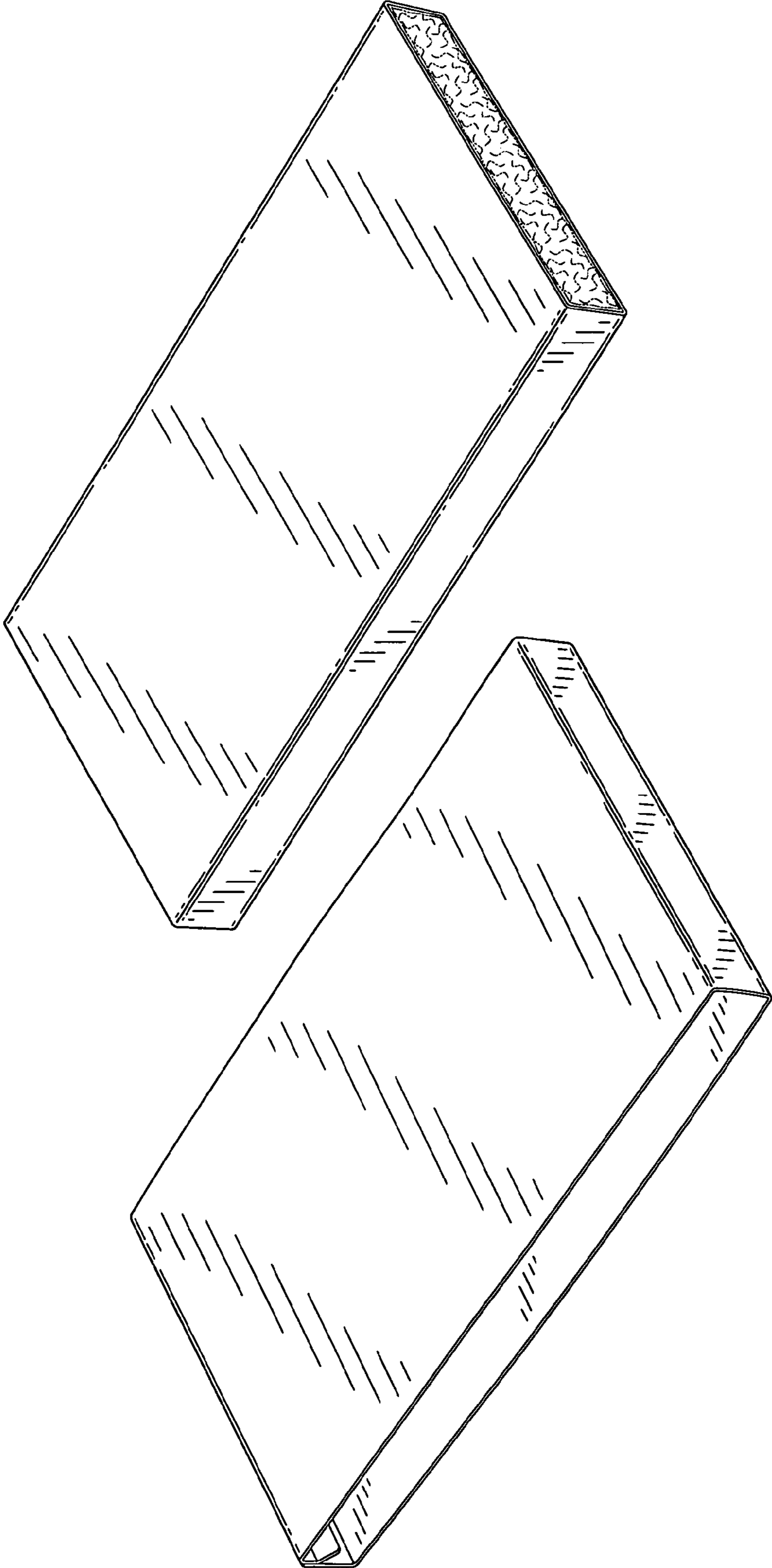
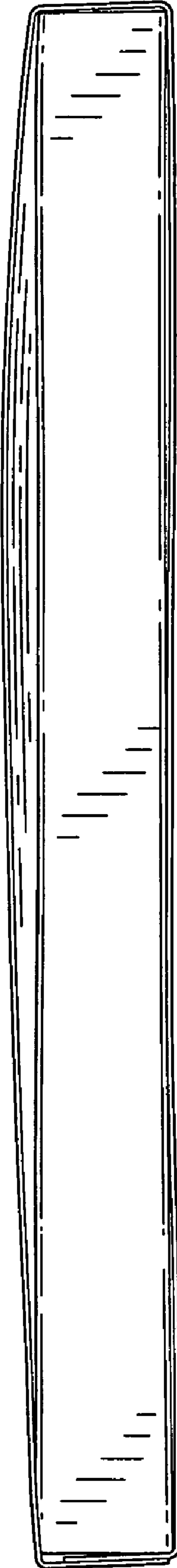


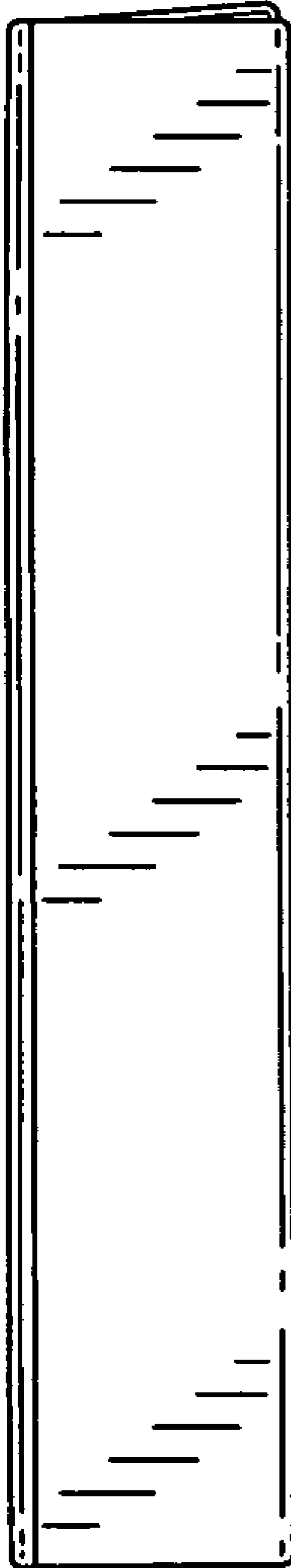
FIG. 3



**FIG. 4**



**FIG. 5**



**FIG. 6**