

US00D594739S

(12) **United States Design Patent**
Lee

(10) **Patent No.:** **US D594,739 S**
(45) **Date of Patent:** **** Jun. 23, 2009**

(54) **HANDRAIL BRACKET**

(75) Inventor: **Chia Ying Lee**, Chicago, IL (US)

(73) Assignee: **Liberty Hardware Mfg. Corp.**,
Winston-Salem, NC (US)

(**) Term: **14 Years**

(21) Appl. No.: **29/303,787**

(22) Filed: **Feb. 18, 2008**

(51) **LOC (9) Cl.** **08-05**

(52) **U.S. Cl.** **D8/363**

(58) **Field of Classification Search** D8/363,
D8/380; 248/300, 235, 237, 245, 247
See application file for complete search history.

(56) **References Cited**

U.S. PATENT DOCUMENTS

D196,040 S * 8/1963 Morgan D8/363

D204,057 S * 3/1966 Logan et al. D8/363
D216,458 S * 1/1970 Leonard D8/363

* cited by examiner

Primary Examiner—Holly H Baynham

(74) *Attorney, Agent, or Firm*—Edgar A. Zarins; Nirav D. Parikh

(57) **CLAIM**

The ornamental design for a handrail bracket, as shown and described.

DESCRIPTION

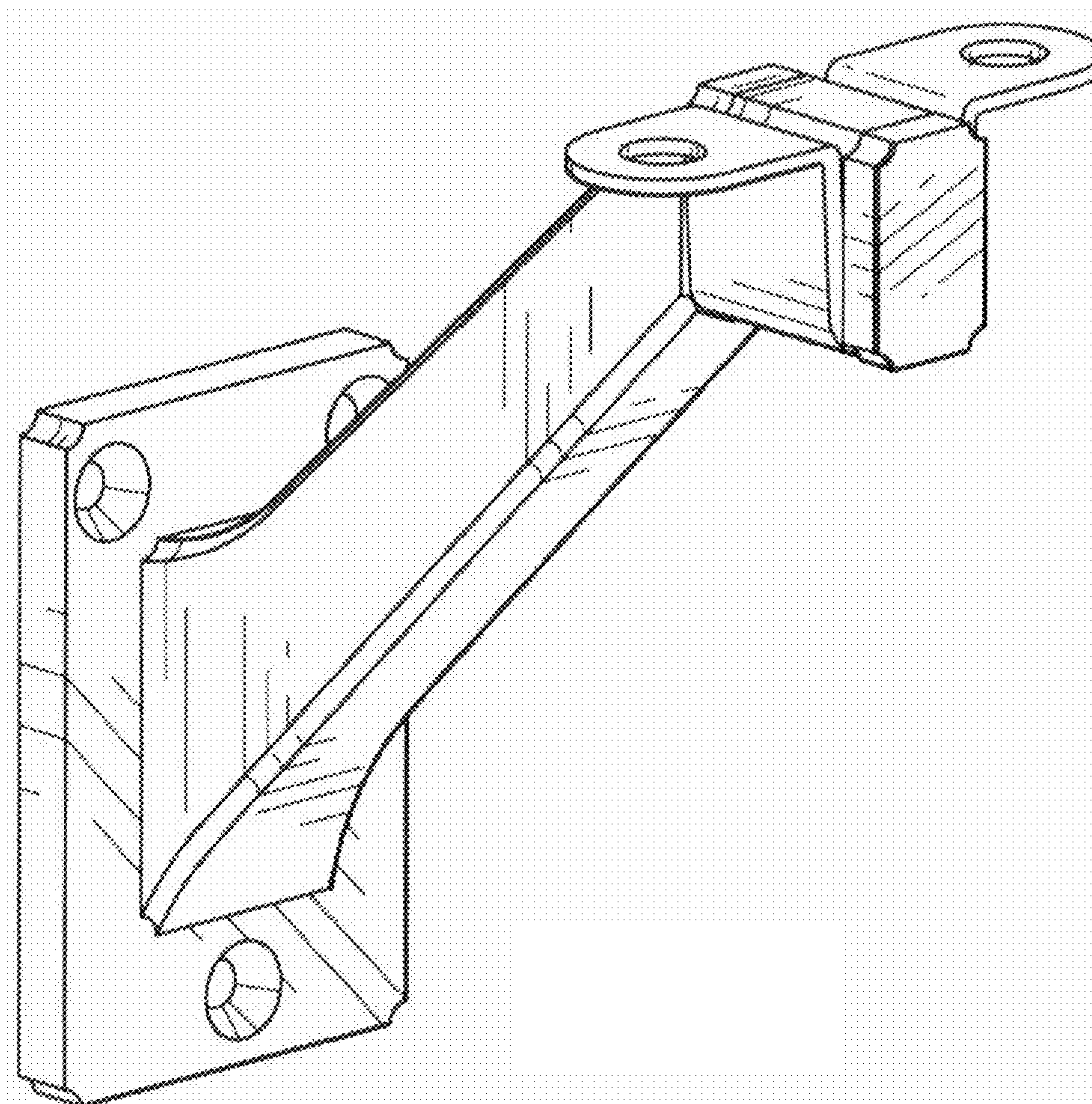
FIG. 1 is a perspective view of a handrail bracket showing my new design;

FIG. 2 is a bottom view thereof;

FIG. 3 is a right side view thereof, the left side being a mirror image of the side shown; and,

FIG. 4 is a front elevational view thereof.

1 Claim, 1 Drawing Sheet



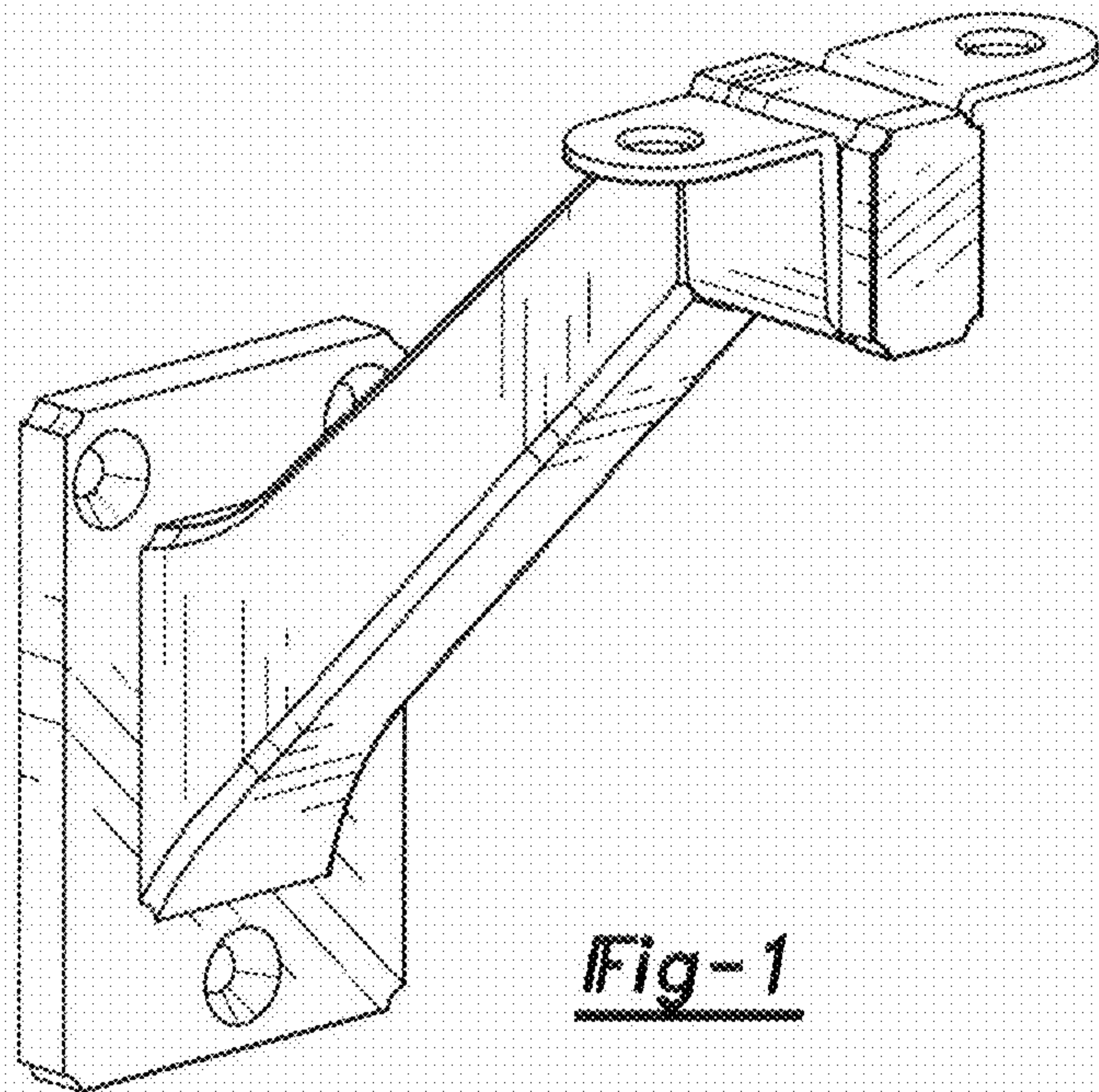


Fig-1

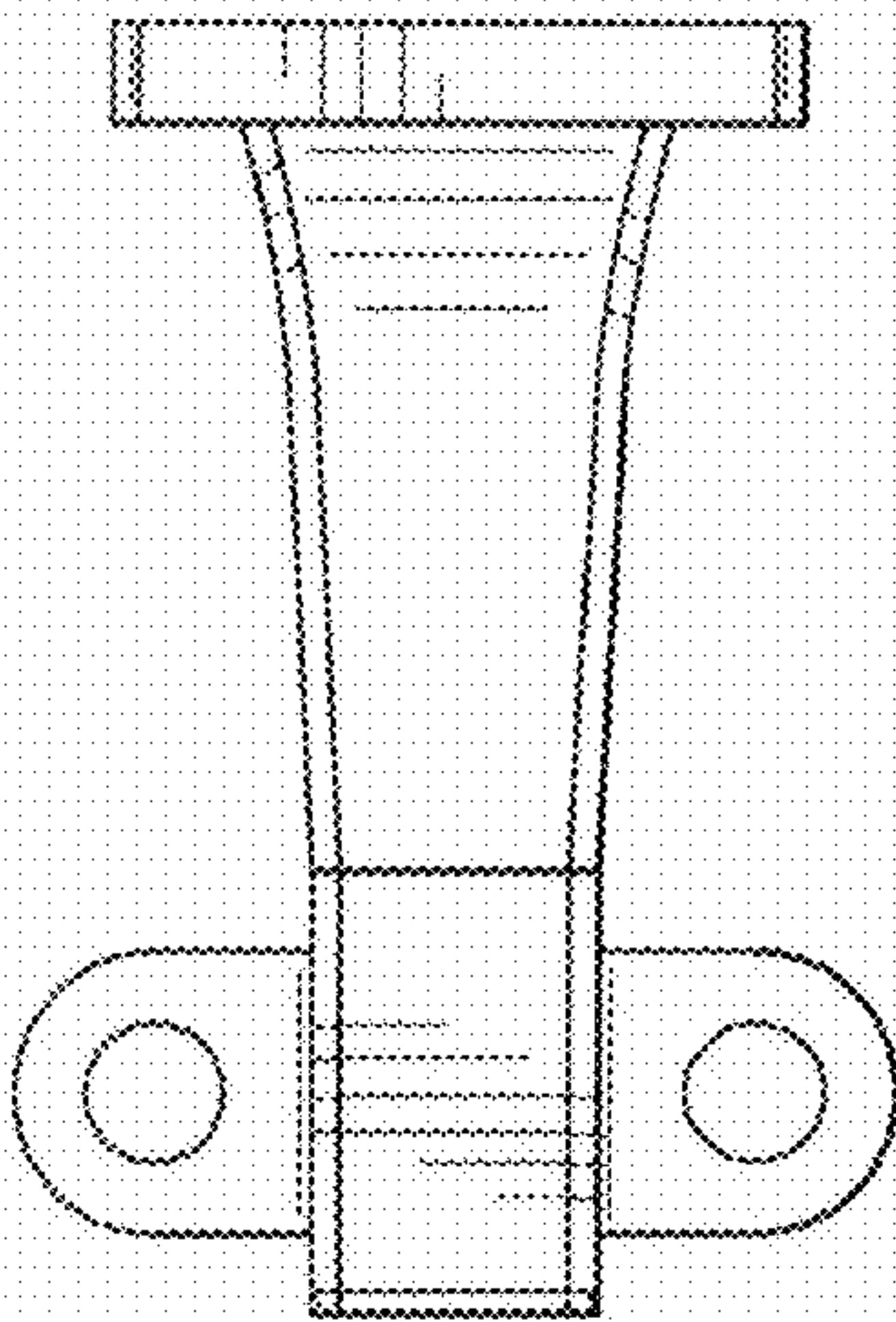


Fig-2

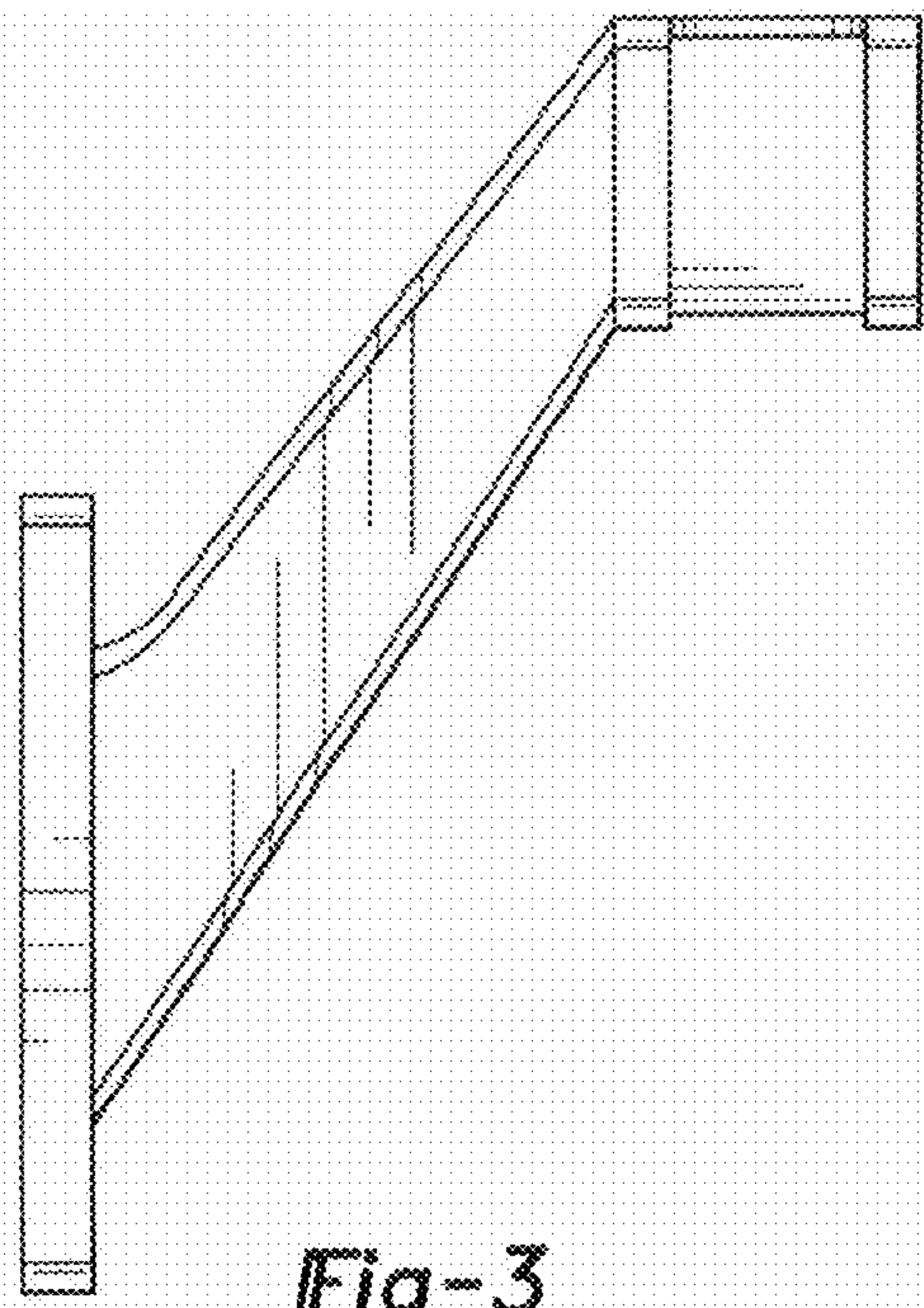


Fig-3

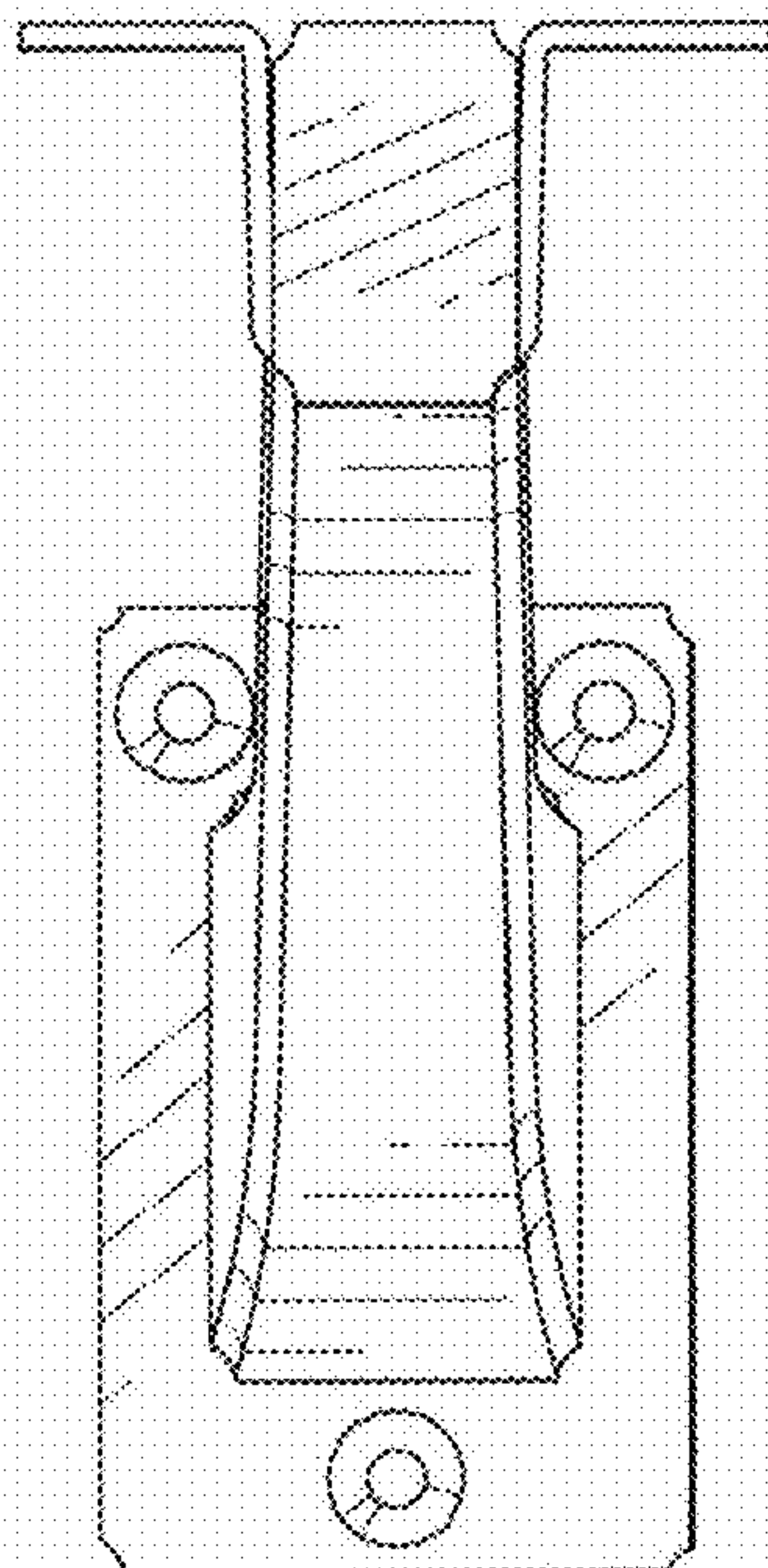


Fig-4