



US00D594737S

(12) **United States Design Patent**  
**Kelly et al.**

(10) **Patent No.:** **US D594,737 S**  
(45) **Date of Patent:** **\*\* Jun. 23, 2009**

(54) **REBAR CHAIR**

(75) Inventors: **David L. Kelly**, Sacramento, CA (US);  
**Stephen L. Miller**, Grass Valley, CA  
(US); **Richard L. Miller**, Meadow Vista,  
CA (US)

(73) Assignee: **MMI Management Services LP**

(\*\*) Term: **14 Years**

(21) Appl. No.: **29/312,524**

(22) Filed: **Oct. 28, 2008**

(51) **LOC (9) Cl.** ..... **08-05**

(52) **U.S. Cl.** ..... **D8/354; D6/349**

(58) **Field of Classification Search** ..... D6/330,  
D6/335-338, 340, 349-355, 358, 359, 364,  
D6/366, 376, 491, 495, 500-502; 297/16.1,  
297/39, 46, 135, 140, 156, 158.3, 158.4,  
297/175, 177, 187, 195.1, 195.11, 211, 245,  
297/423.1, 423.16, 445.1, 461, 462; D8/354,  
D8/356; 52/677, 387, 389; 404/135, 136;  
248/440, 440.1; 249/30

See application file for complete search history.

(56) **References Cited**

**U.S. PATENT DOCUMENTS**

1,672,852 A	6/1928	Rougham
1,809,870 A	6/1931	Smith
1,936,536 A	6/1933	Bates
3,693,310 A	9/1972	Middleton
3,830,032 A	8/1974	Robb
4,060,954 A	12/1977	Liuzza
4,080,770 A	3/1978	Vigh
D271,846 S	12/1983	Hernandez
D271,847 S	12/1983	Hernandez
4,483,119 A	11/1984	Hernandez
4,655,023 A	4/1987	Yung
4,682,461 A	7/1987	Sizemore
4,756,641 A	7/1988	Hartzheim
4,835,933 A	6/1989	Yung
5,107,654 A	4/1992	Leonardis
D334,133 S	3/1993	Hartzheim

5,555,693 A	9/1996	Sorkin
D388,312 S	12/1997	Sorkin
5,729,949 A	3/1998	Hartzheim
D394,200 S	5/1998	Hartzheim
5,791,095 A	8/1998	Sorkin
5,791,816 A	8/1998	McCallion
D421,709 S	3/2000	Haslem et al.
D428,501 S	7/2000	Haslem et al.
6,089,522 A	7/2000	Haslem et al.

(Continued)

**FOREIGN PATENT DOCUMENTS**

AU 227969 5/1960

(Continued)

**OTHER PUBLICATIONS**

Aztec Promotional Brochure for Plastic Rebar Spacer (1994).

(Continued)

*Primary Examiner*—Sandra Snapp  
(74) *Attorney, Agent, or Firm*—John K. Uilkema

(57)

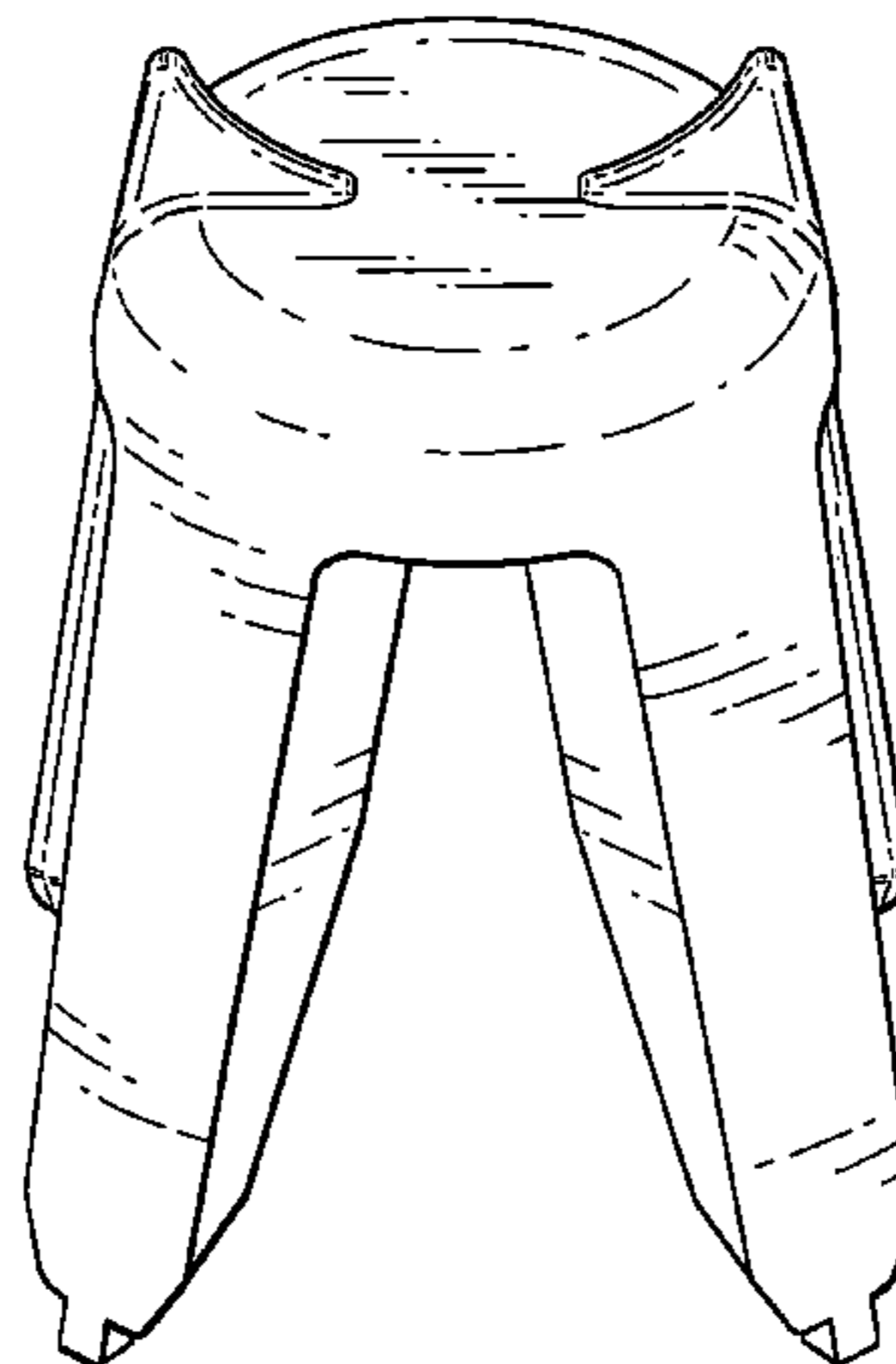
**CLAIM**

The ornamental design for a rebar chair, as shown and described.

**DESCRIPTION**

FIG. 1 is a top perspective view of the chair;  
FIG. 2 is a first elevational view of the chair, the opposite elevational view being a mirror image thereof;  
FIG. 3 is a cross-sectional view of the chair, taken on the plane designated by line 3—3 of FIG. 2;  
FIG. 4 is a top plan view of the chair;  
FIG. 5 is a bottom plan view of the chair;  
FIG. 6 is a second elevational view of the chair, the opposite elevational view being a mirror image thereof; and,  
FIG. 7 is a third elevational view of the chair, the opposite elevational view being a mirror image thereof.

**1 Claim, 3 Drawing Sheets**



# US D594,737 S

Page 2

---

## U.S. PATENT DOCUMENTS

D443,197 S 6/2001 Padrun  
D444,244 S 6/2001 McPherson et al.  
6,276,108 B1 8/2001 Padrun  
D454,776 S 3/2002 Padrun  
6,354,054 B1 3/2002 Verelli et al.  
D491,443 S 6/2004 Lowery  
D495,504 S \* 9/2004 Sorkin ..... D6/349  
D497,055 S \* 10/2004 Sorkin ..... D6/349  
D500,668 S 1/2005 Kelly et al.  
D504,805 S \* 5/2005 Sorkin ..... D8/356  
7,237,367 B1 \* 7/2007 Sorkin ..... 52/687  
D552,897 S \* 10/2007 Joseph ..... D6/500  
D560,872 S \* 1/2008 Scott et al. .... D34/35  
D561,501 S \* 2/2008 Joseph ..... D6/500

7,451,580 B2 11/2008 Kelly et al.  
2003/0000170 A1 1/2003 Sorkin  
2004/0098942 A1 5/2004 Lee et al.

## FOREIGN PATENT DOCUMENTS

FR 2549870 7/1983  
GB 575043 1/1946  
WO WO 90/01600 2/1990

## OTHER PUBLICATIONS

Meadow Steel Products Brochure for Reinforcing Bar Supports (Feb. 1, 1993).  
Meadow Steel Products Plastic Accessories Catalog (1991).

\* cited by examiner

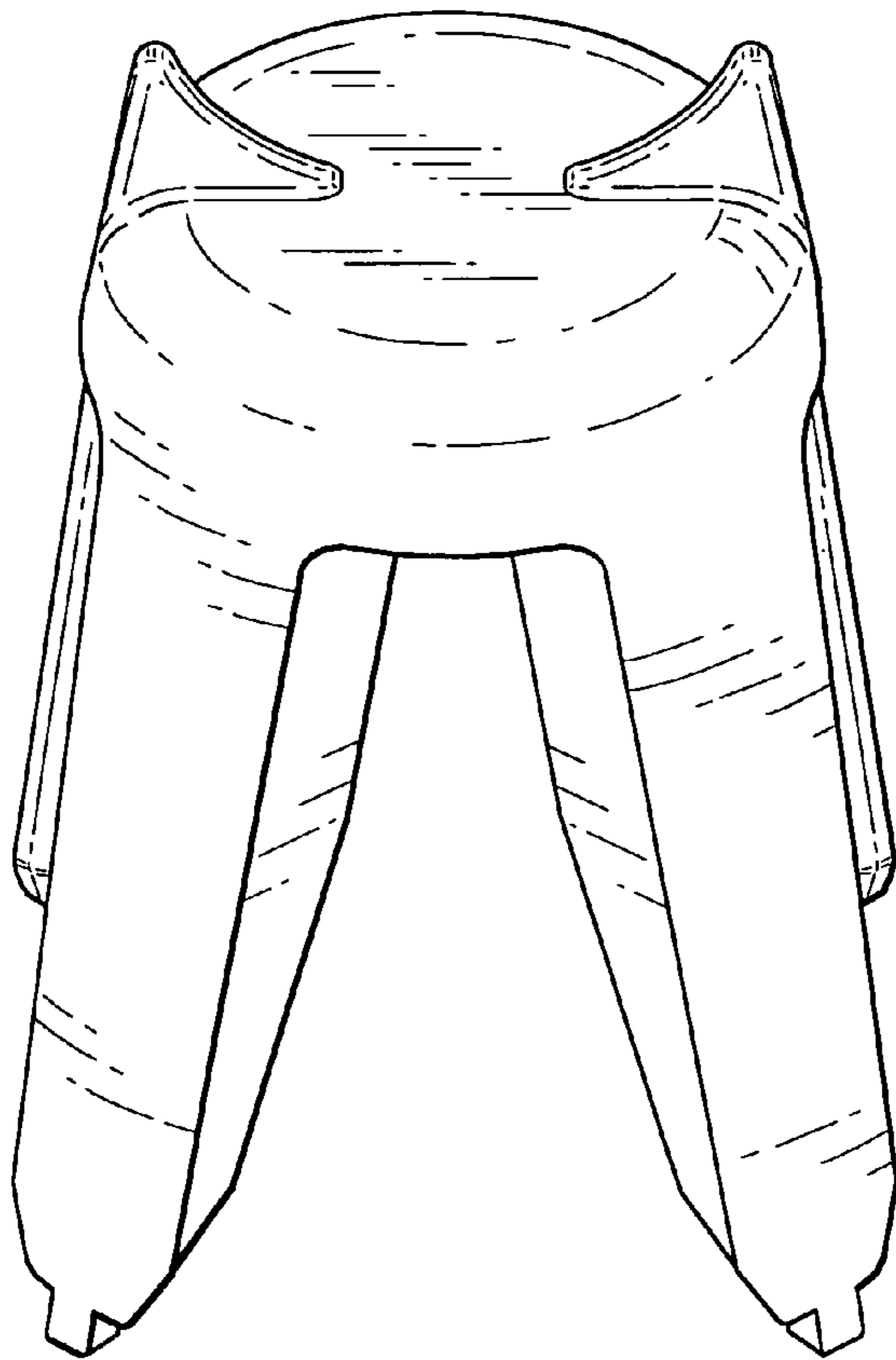


FIG. 1

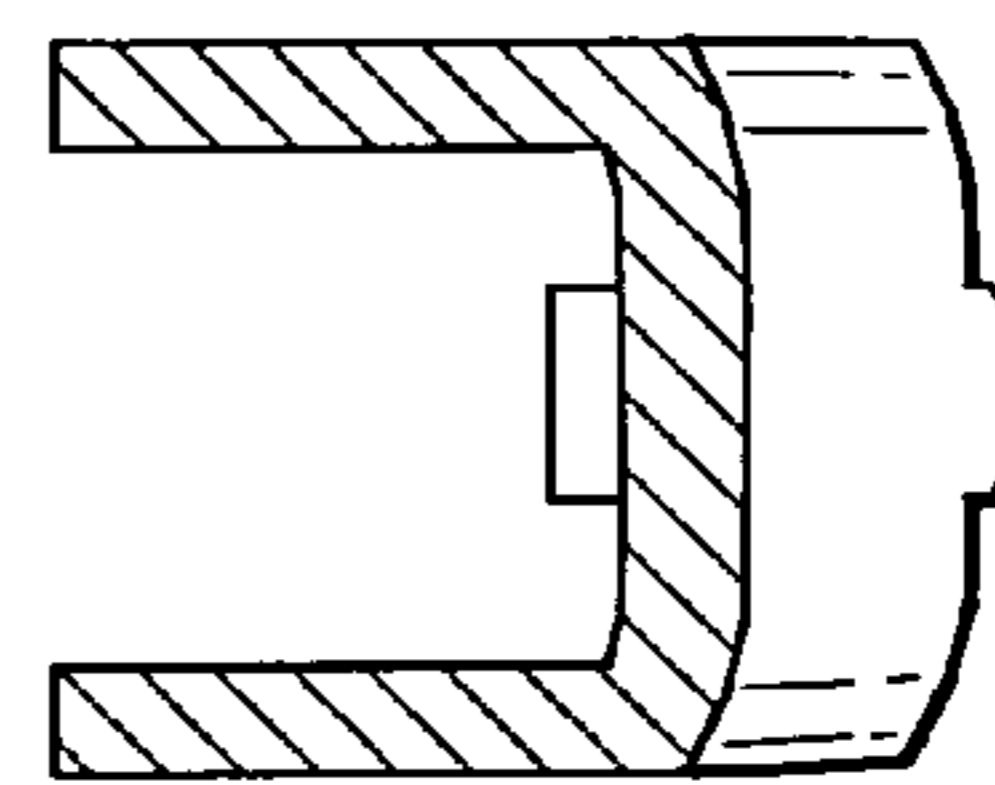


FIG. 3

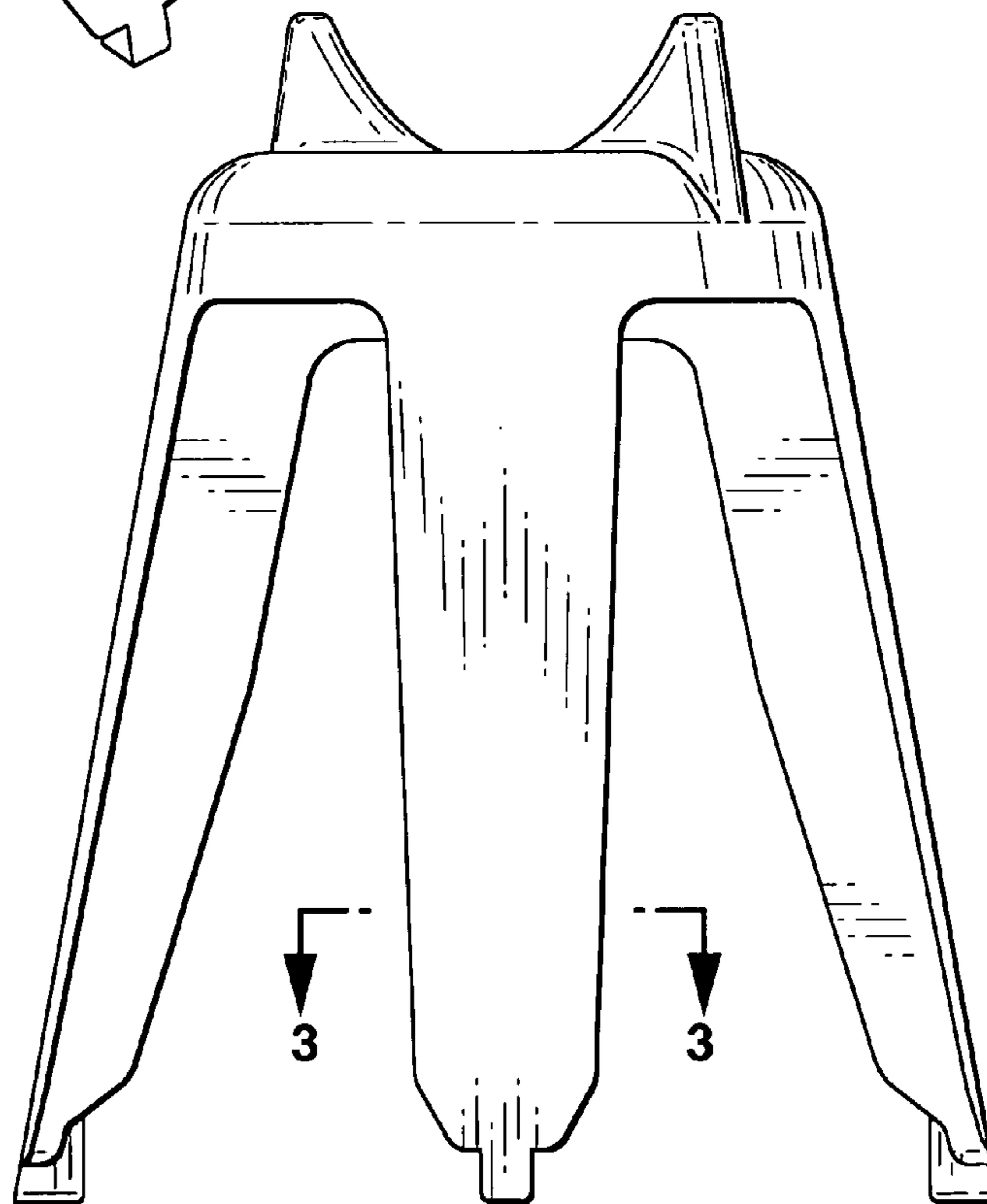


FIG. 2

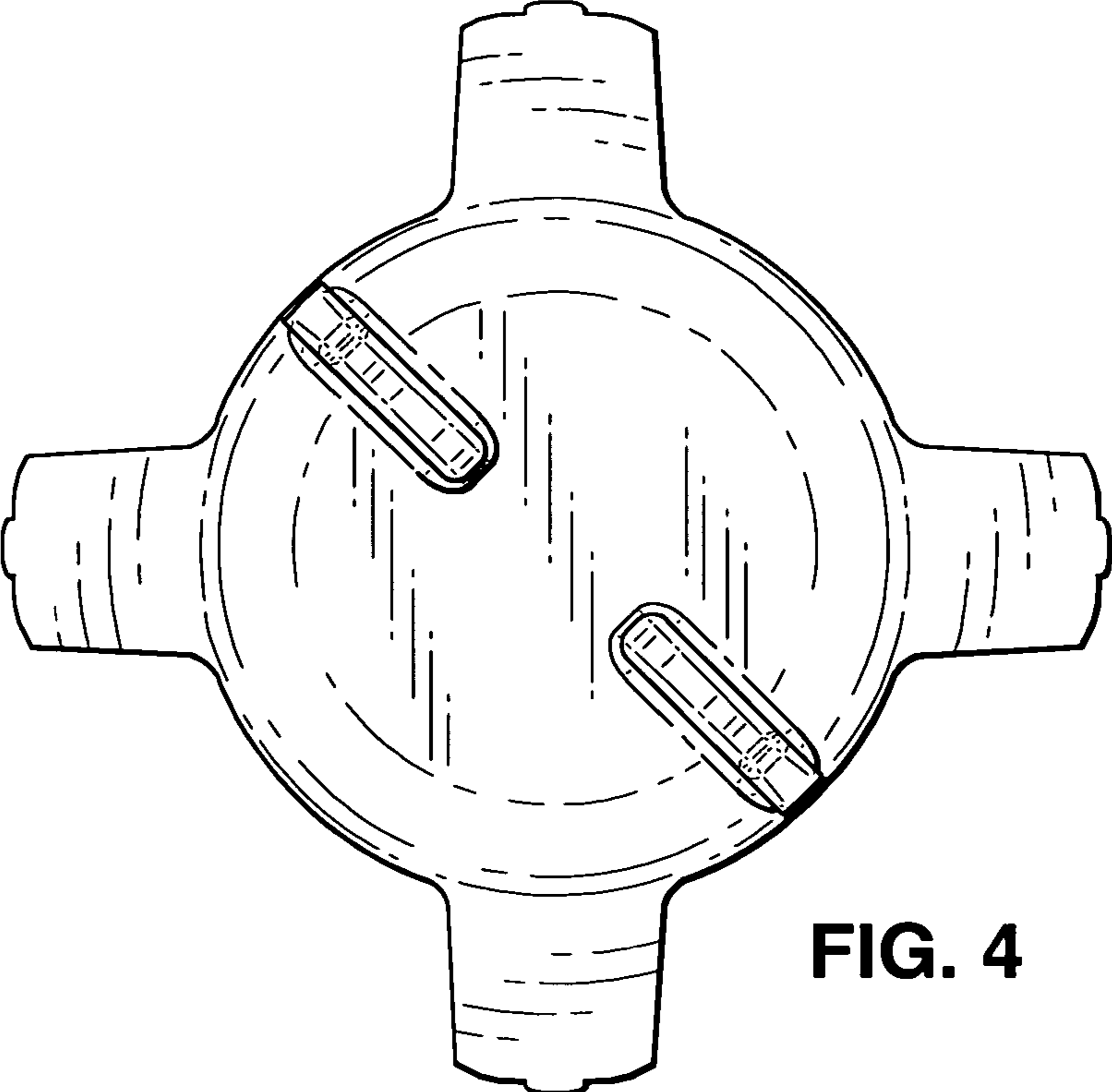


FIG. 4

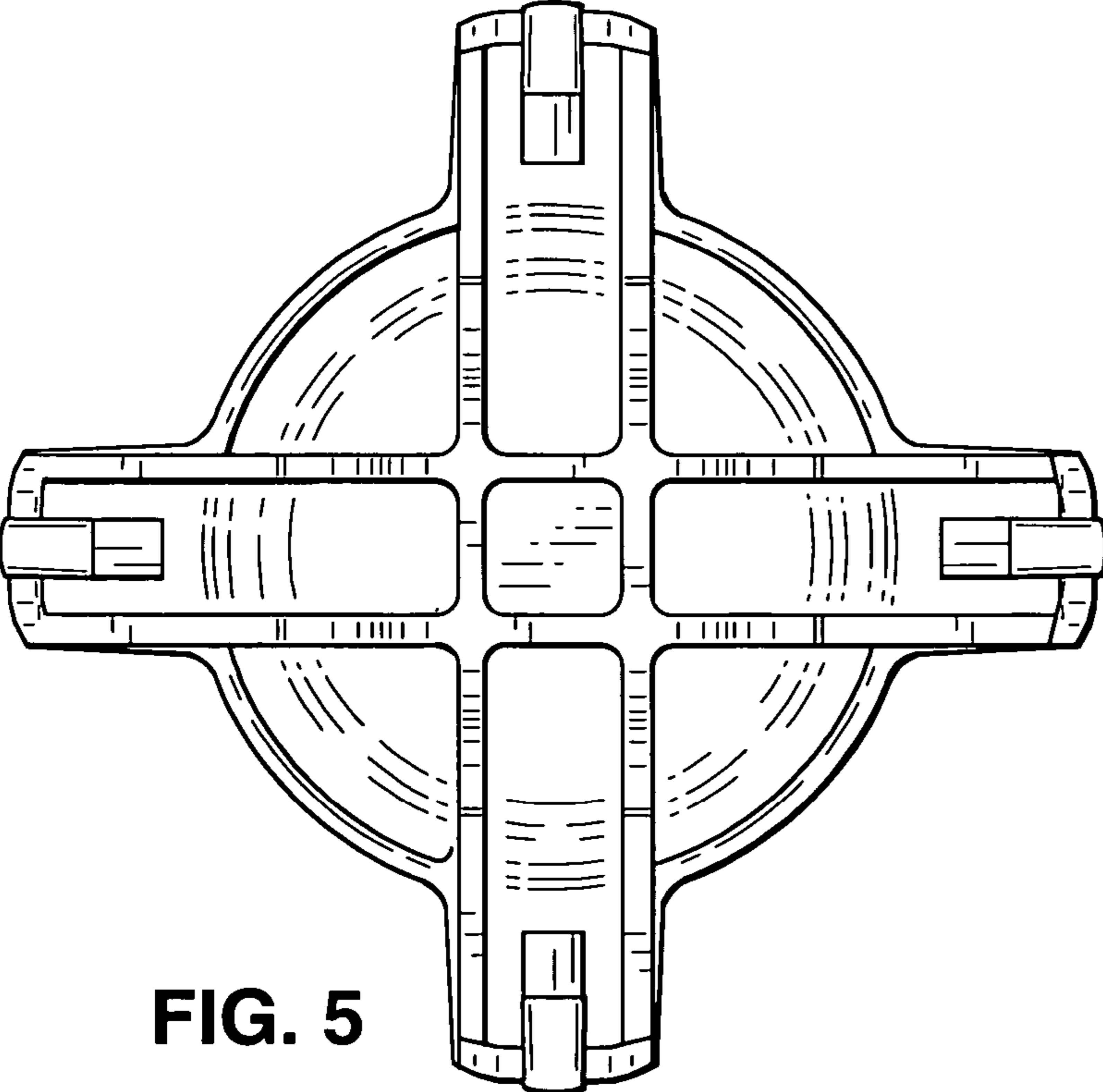
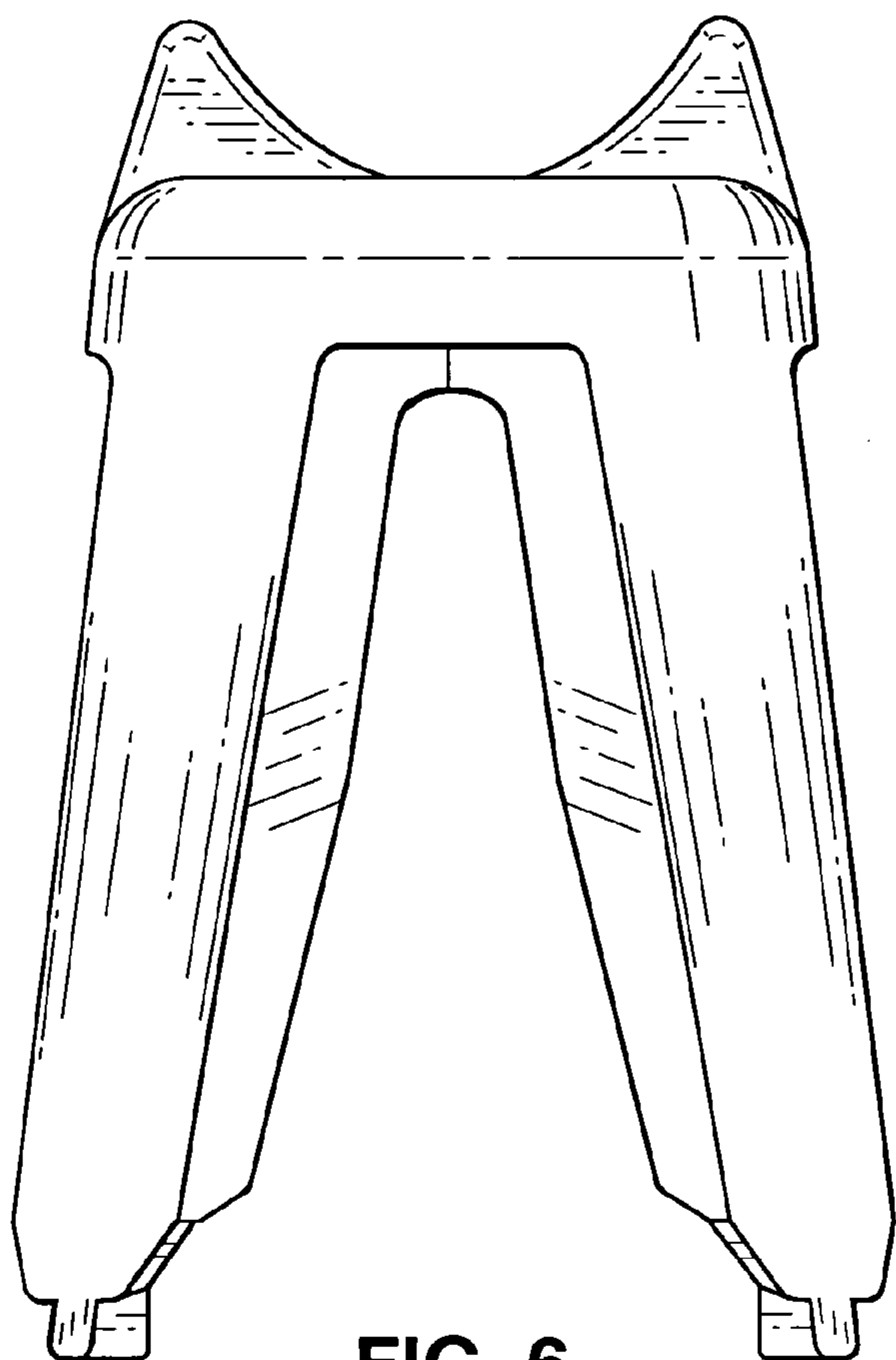
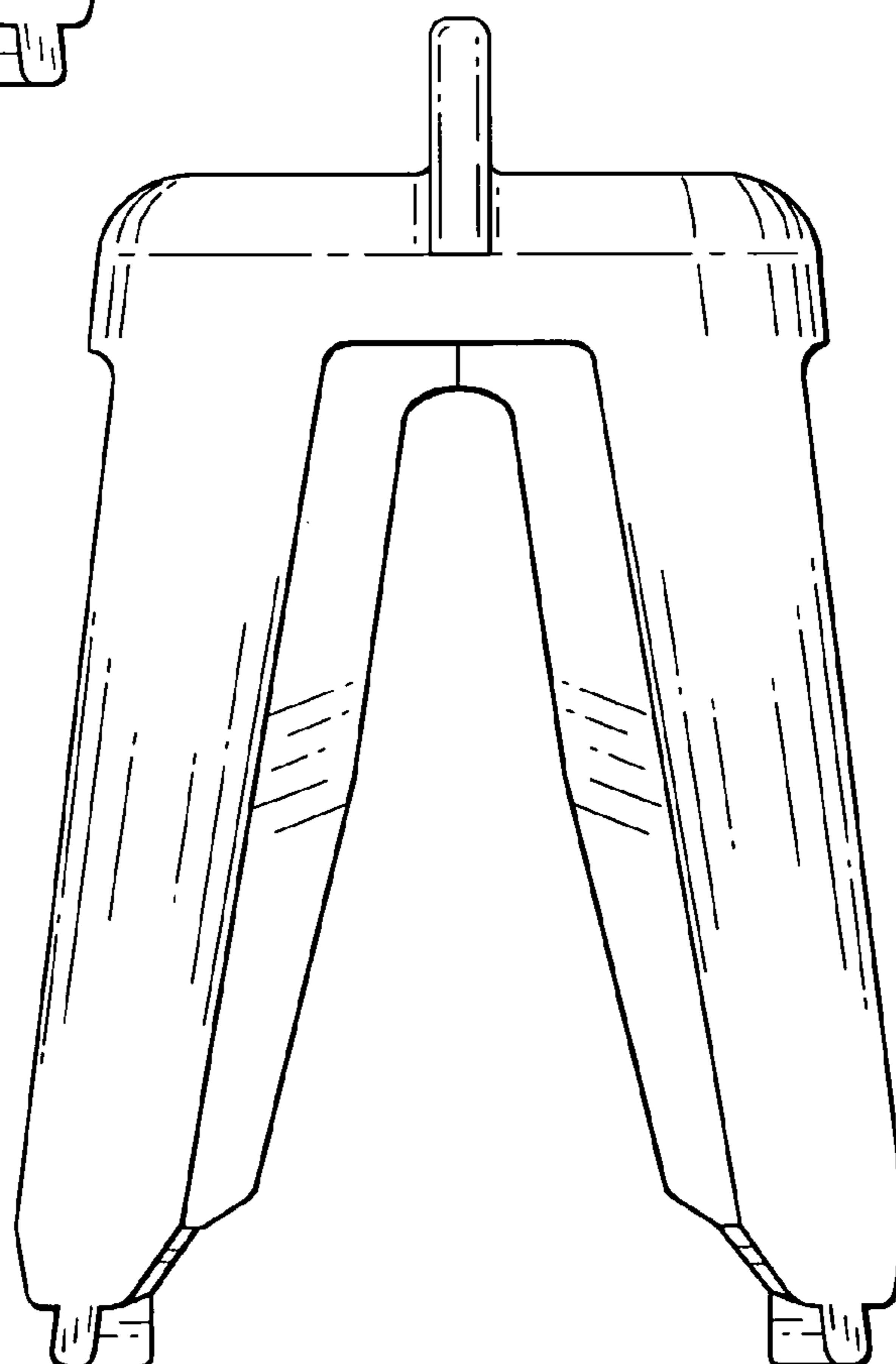


FIG. 5



**FIG. 6**



**FIG. 7**