



US00D594735S

(12) **United States Design Patent**
Hofer

(10) **Patent No.:** **US D594,735 S**

(45) **Date of Patent:** **** Jun. 23, 2009**

(54) **REUSABLE ADHESIVE CONNECTOR**

(76) **Inventor:** **Richard Dale Hofer**, 37250 Castleton Dr., Sterling Heights, MI (US) 48312

(**) **Term:** **14 Years**

(21) **Appl. No.:** **29/297,458**

(22) **Filed:** **Nov. 12, 2007**

(51) **LOC (9) Cl.** **08-05**

(52) **U.S. Cl.** **D8/349**

(58) **Field of Classification Search** D8/300,
D8/307, 310, 349, 354, 373, 380; D7/393;
D19/54, 79, 84, 90; D21/488, 386, 390;
248/205.1, 205.3, 683

See application file for complete search history.

(56) **References Cited**

U.S. PATENT DOCUMENTS

3,239,178	A	*	3/1966	Pompa	248/205.3
D234,707	S	*	4/1975	Vennola et al.	D21/386
D325,605	S	*	4/1992	Holmstrom	D21/623
D345,903	S	*	4/1994	Adams et al.	D8/349
D360,910	S	*	8/1995	Frederiksen	D21/488
D377,060	S	*	12/1996	Frederiksen	D21/488
D397,375	S	*	8/1998	Fletcher et al.	D21/386
5,873,651	A		2/1999	Hofer et al.		
D421,057	S	*	2/2000	Hummell et al.	D19/65
D450,092	S	*	11/2001	Guillot	D19/90

D508,533	S	*	8/2005	Siegel	D19/90
D522,590	S	*	6/2006	Wood	D21/387
D545,664	S	*	7/2007	Fields	D8/310
D554,469	S	*	11/2007	Sato	D8/310
D569,219	S	*	5/2008	Sjogren	D8/310
D581,091	S		11/2008	Hofer		

* cited by examiner

Primary Examiner—Holly H Baynham
Assistant Examiner—Cynthia M Chin

(57) **CLAIM**

The ornamental design for a reusable adhesive connector, as shown and described.

DESCRIPTION

FIG. 1 is a top plan view of the invention, showing my new design;

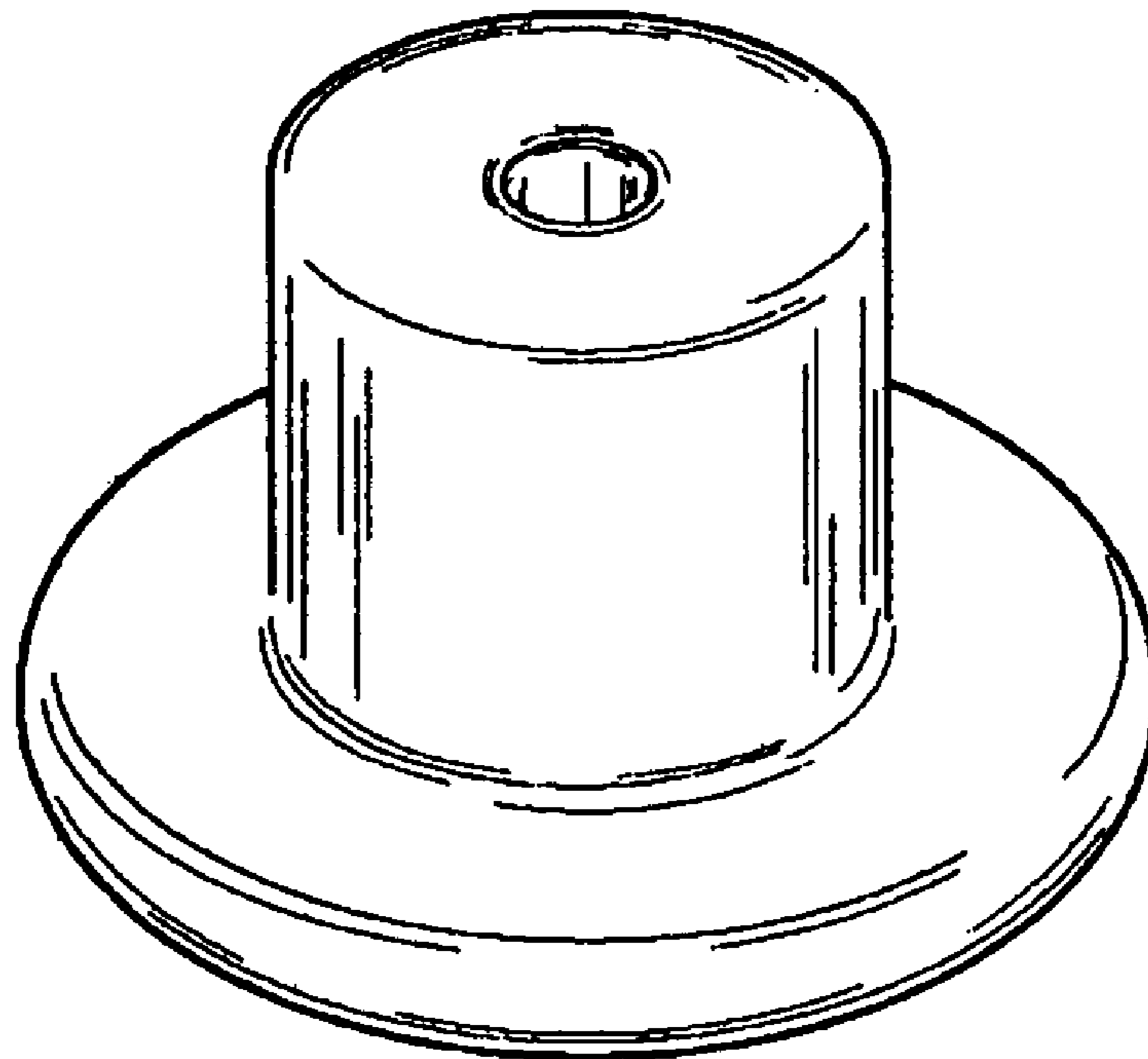
FIG. 2 is a bottom plan view of the invention;

FIG. 3 is a front elevational view of the invention, the rear elevational view, right side elevational view, and left side elevational view all being mirror image thereof;

FIG. 4 is a perspective view of a reusable adhesive connector; and,

FIG. 5 is a cross sectional view of the invention along 5—5 in FIG. 1.

1 Claim, 1 Drawing Sheet



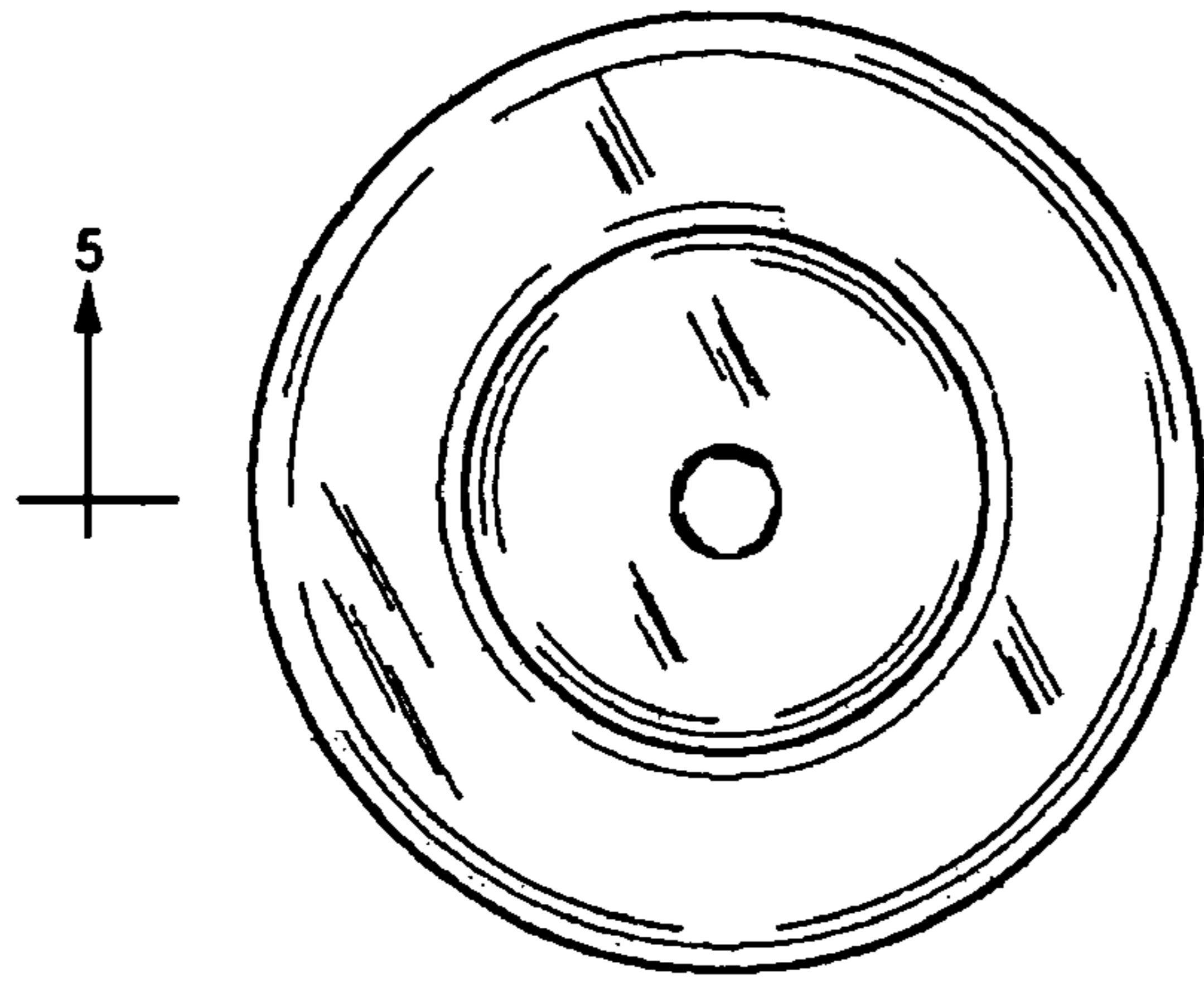


FIG. 1

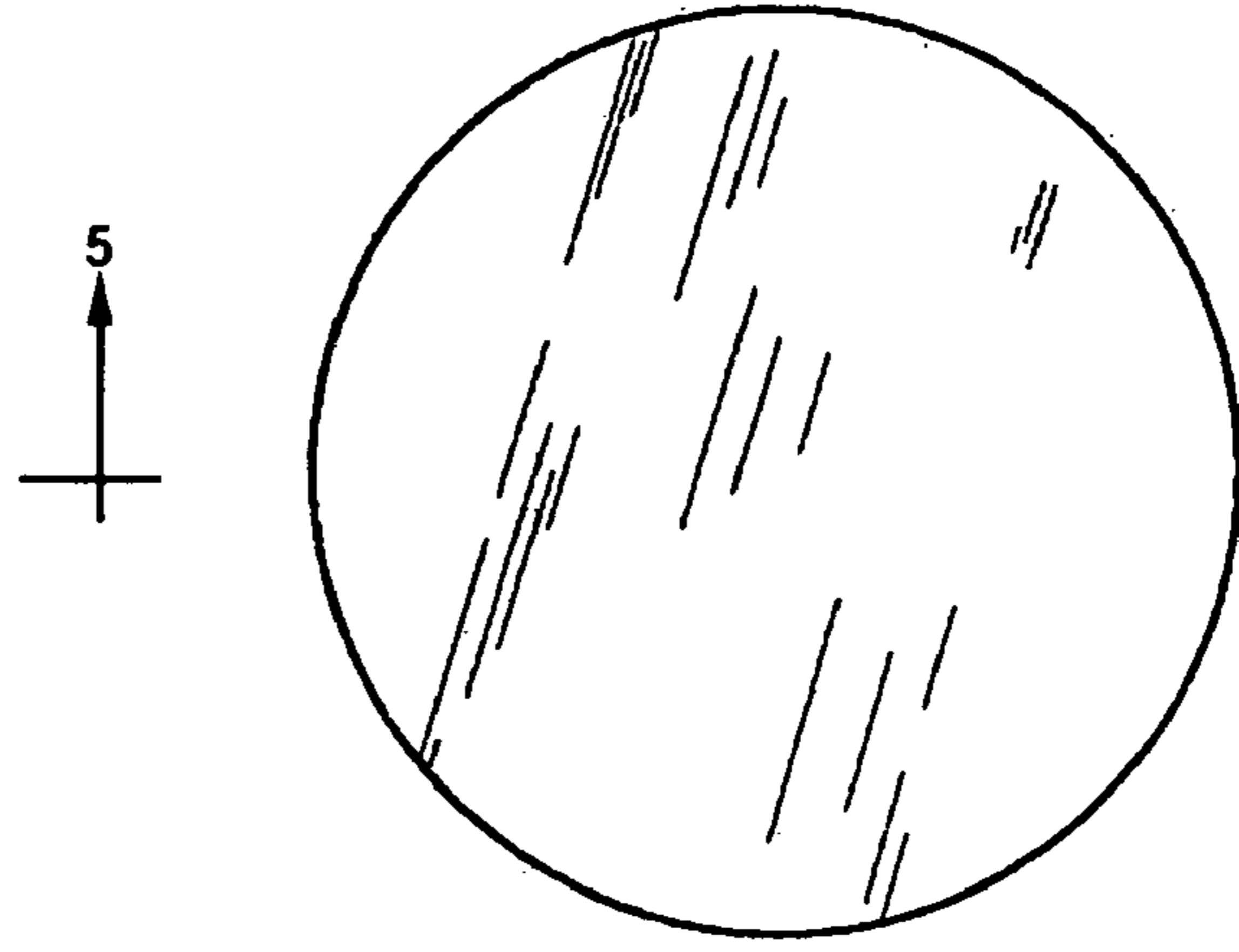


FIG. 2

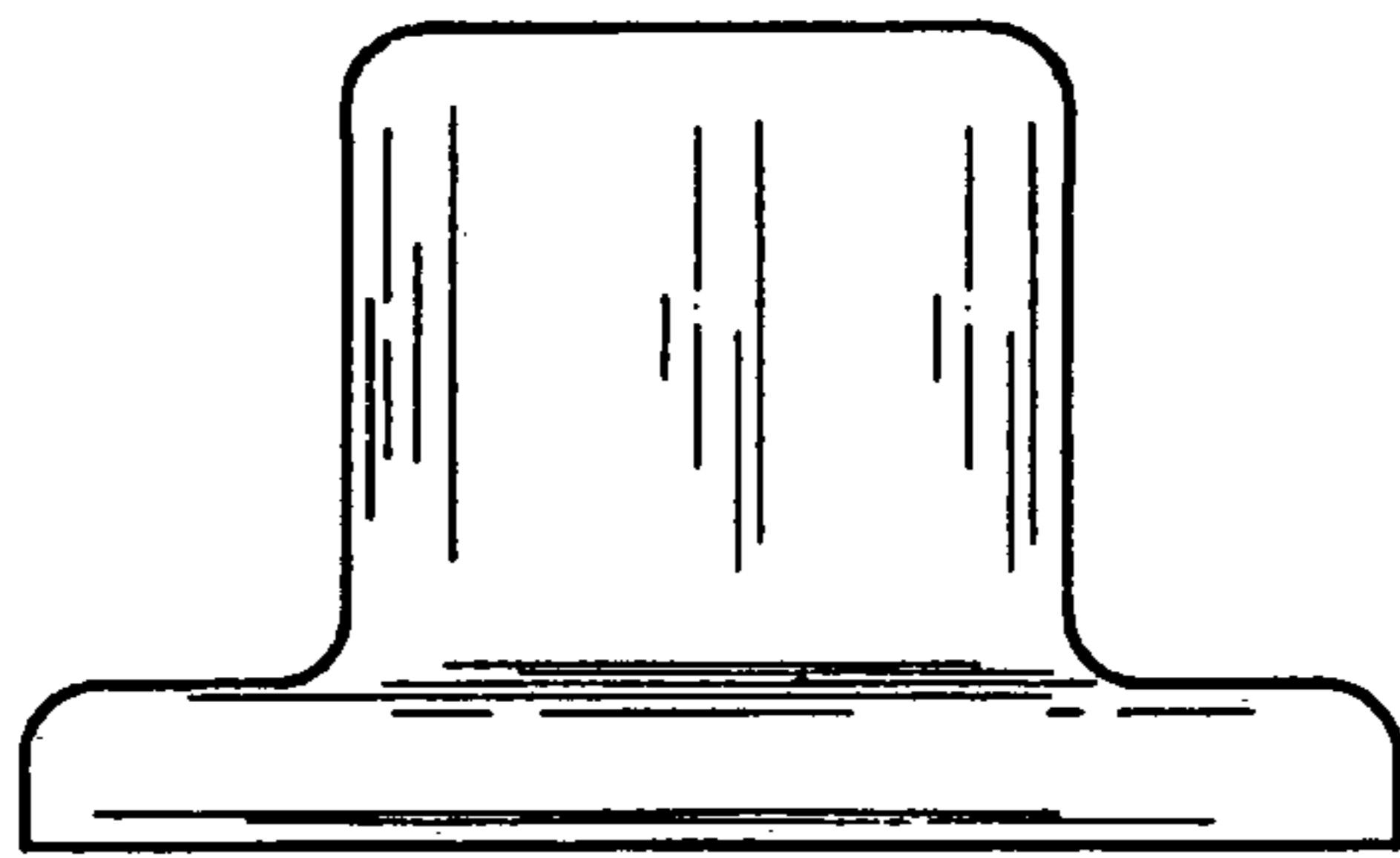


FIG. 3

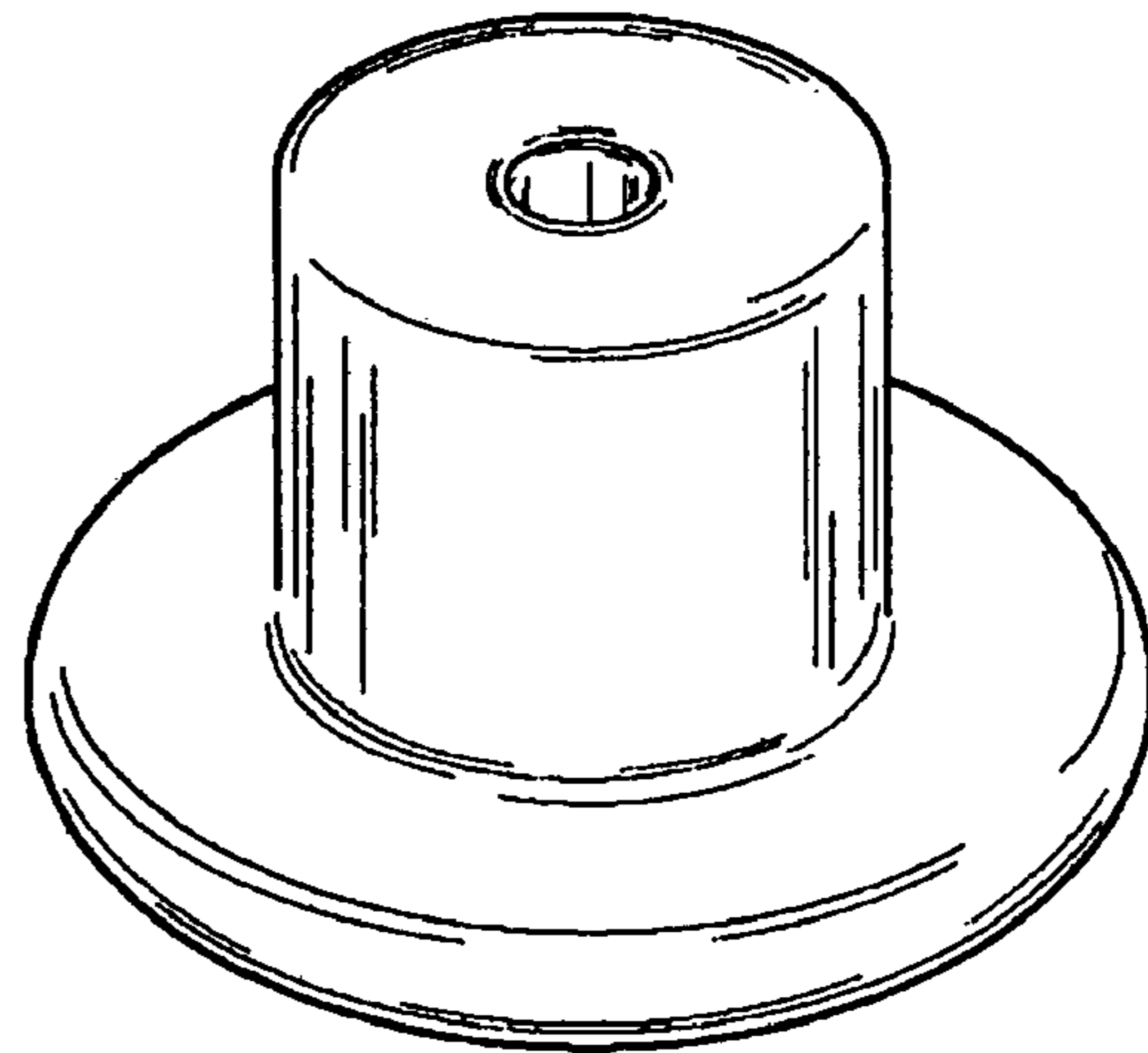


FIG. 4

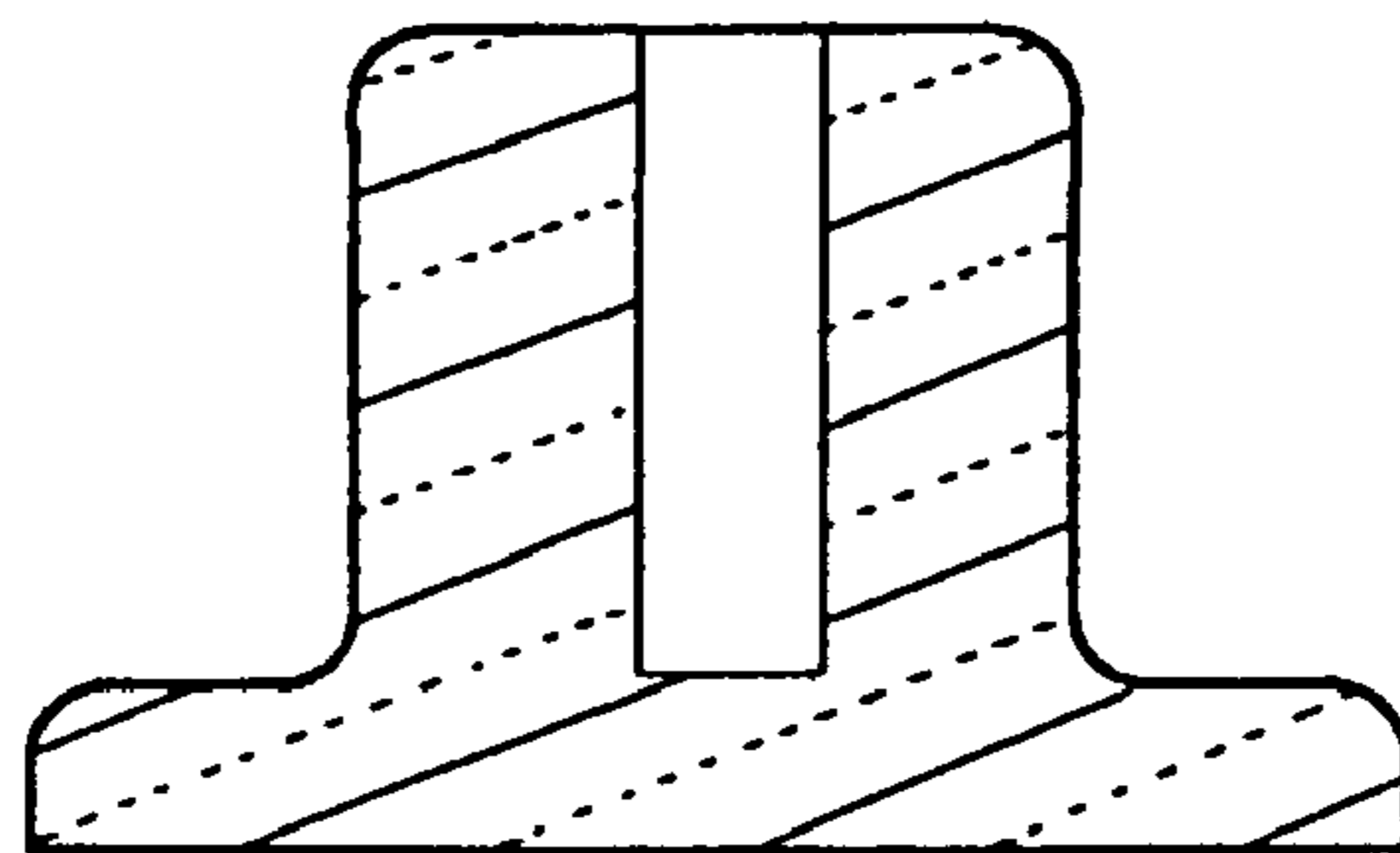


FIG. 5