



US00D594734S

(12) **United States Design Patent**
Youngerman

(10) **Patent No.:** **US D594,734 S**
(45) **Date of Patent:** **** Jun. 23, 2009**

(54) **AUTOMOBILE SHAPED KEY FOB**
(76) Inventor: **Glenn Youngerman**, 3066 34th St.
South, Fargo, ND (US) 58103
(**) Term: **14 Years**
(21) Appl. No.: **29/308,319**
(22) Filed: **Jun. 10, 2008**
(51) **LOC (9) Cl.** **08-07**
(52) **U.S. Cl.** **D8/348**
(58) **Field of Classification Search** D8/347,
D8/348; 70/336, 344, 382, 390, 393, 416,
70/419, 429, 430, 447, 460, DIG. 14; D3/207-212
See application file for complete search history.

7,009,522 B2 3/2006 Flanagan et al.
D522,235 S 6/2006 Kell et al.
7,091,822 B2 8/2006 Flick et al.
D531,009 S * 10/2006 Waldron D8/347
7,215,243 B2 5/2007 Rimkus et al.
D561,951 S * 2/2008 Stevenson D30/112
D577,485 S * 9/2008 Mohs D3/207
2003/0172696 A1 * 9/2003 Regina 70/460
2006/0023442 A1 2/2006 De Los Santos et al.
2006/0138864 A1 6/2006 Trahanovsky
2006/0227031 A1 10/2006 Benbow
2007/0079114 A1 * 4/2007 Seemann 713/153
2007/0106766 A1 * 5/2007 Collings 709/220
2007/0182582 A1 8/2007 Booher et al.
2007/0228827 A1 10/2007 Aubertin et al.

* cited by examiner

Primary Examiner—Prabhakar Deshmukh
(74) *Attorney, Agent, or Firm*—Brooks, Cameron &
Huebsch, PLLC

(56) **References Cited**

U.S. PATENT DOCUMENTS

2,111,687 A * 3/1938 Webb 70/264
D246,972 S 1/1978 Maxwell et al.
5,752,400 A * 5/1998 Kim 70/368
5,855,050 A 1/1999 Christie et al.
D407,006 S * 3/1999 Sacco et al. D8/347
6,016,676 A * 1/2000 McConnell 70/408
6,359,348 B1 3/2002 King
D461,047 S 8/2002 Peterson
D461,701 S * 8/2002 Kang D8/347
6,433,728 B1 8/2002 Krupp et al.
6,518,882 B2 2/2003 Johnson et al.
6,666,057 B1 * 12/2003 Huang 70/375
6,669,017 B2 12/2003 Linihan
6,694,258 B2 2/2004 Johnson et al.
6,713,895 B1 3/2004 Krapfl
D495,132 S 8/2004 Cormier et al.
D495,585 S * 9/2004 Osada D8/347
6,852,929 B2 2/2005 Scudder
D514,527 S 2/2006 DiPasquale

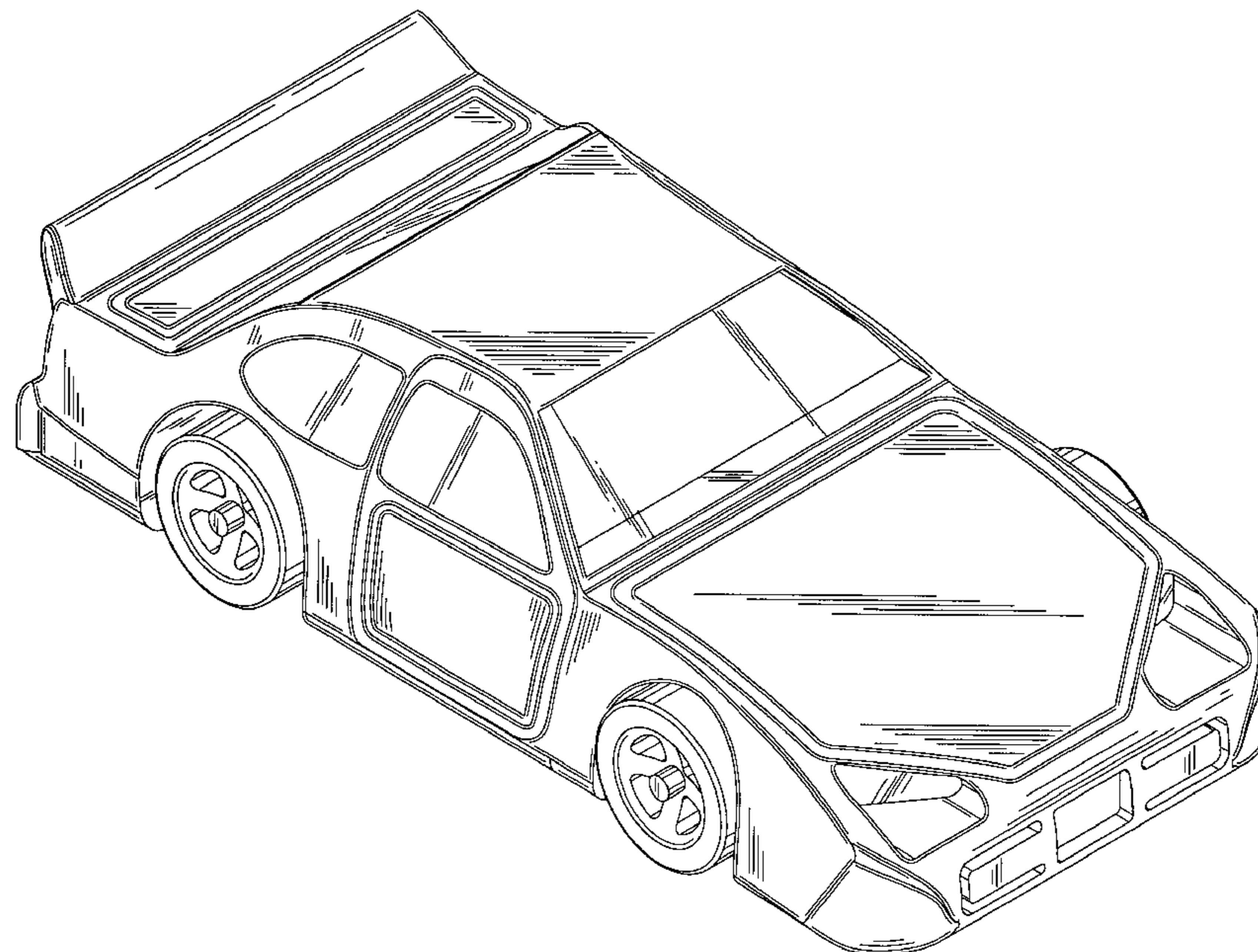
(57) **CLAIM**

The ornamental design for an automobile shaped key fob, as shown and described.

DESCRIPTION

FIG. 1 is perspective view of an automobile shaped key fob showing my new design;
FIG. 2 is a right side elevational view thereof;
FIG. 3 is a left side elevational view thereof;
FIG. 4 is a front elevational view thereof;
FIG. 5 is a rear elevational view thereof;
FIG. 6 is a top plan view thereof; and,
FIG. 7 is a bottom plan view thereof.

1 Claim, 7 Drawing Sheets



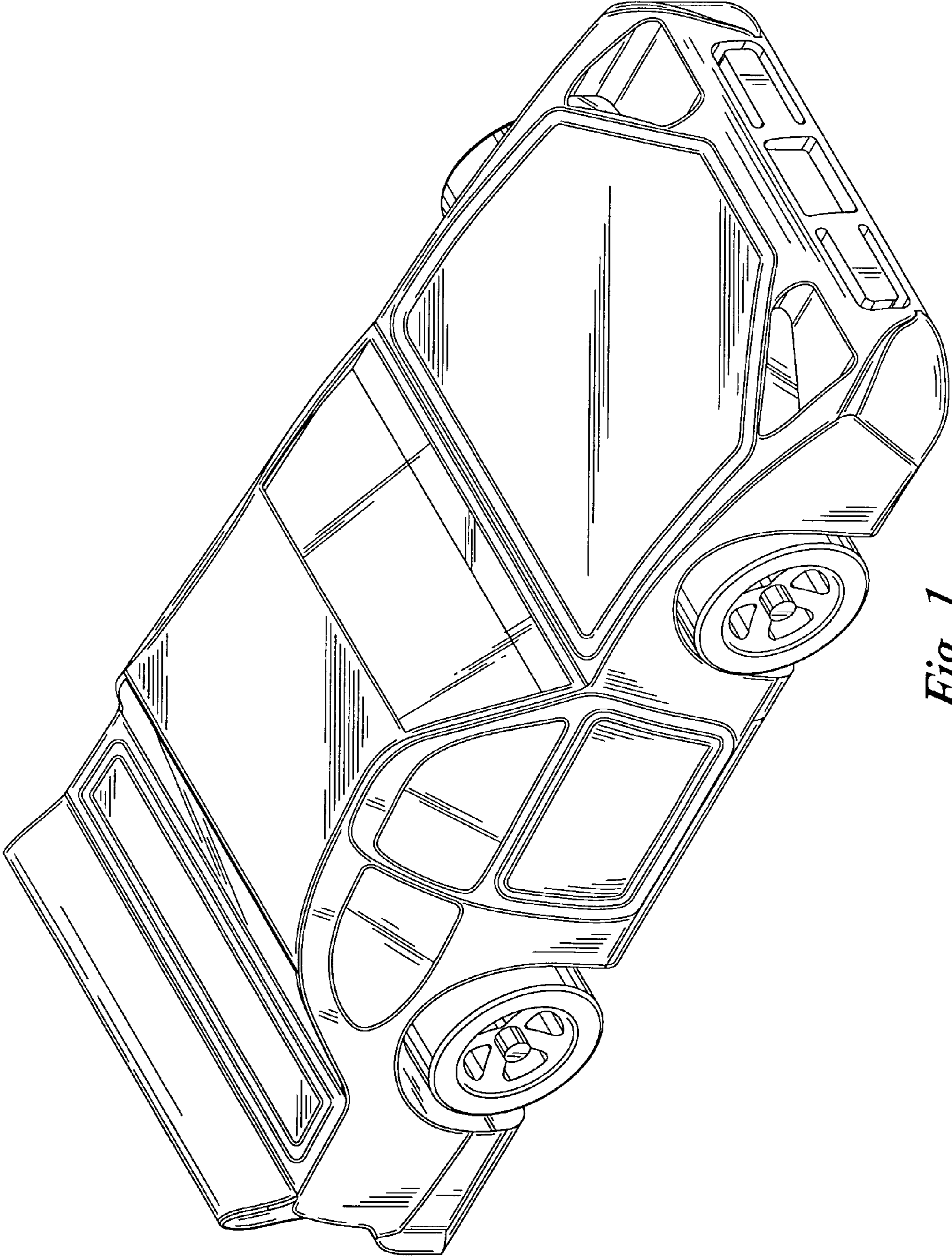


Fig. 1

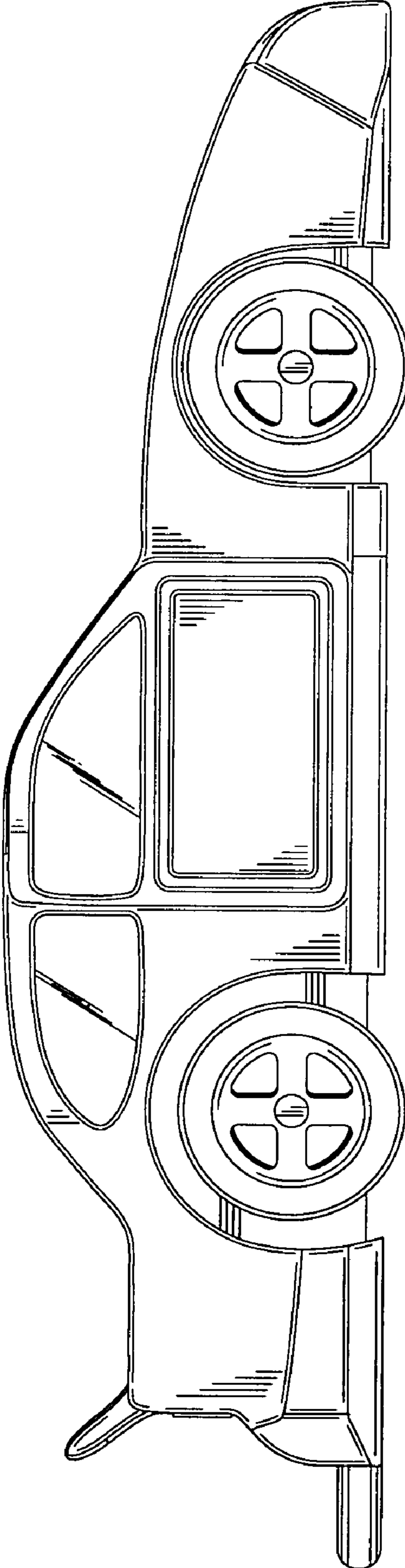


Fig. 2

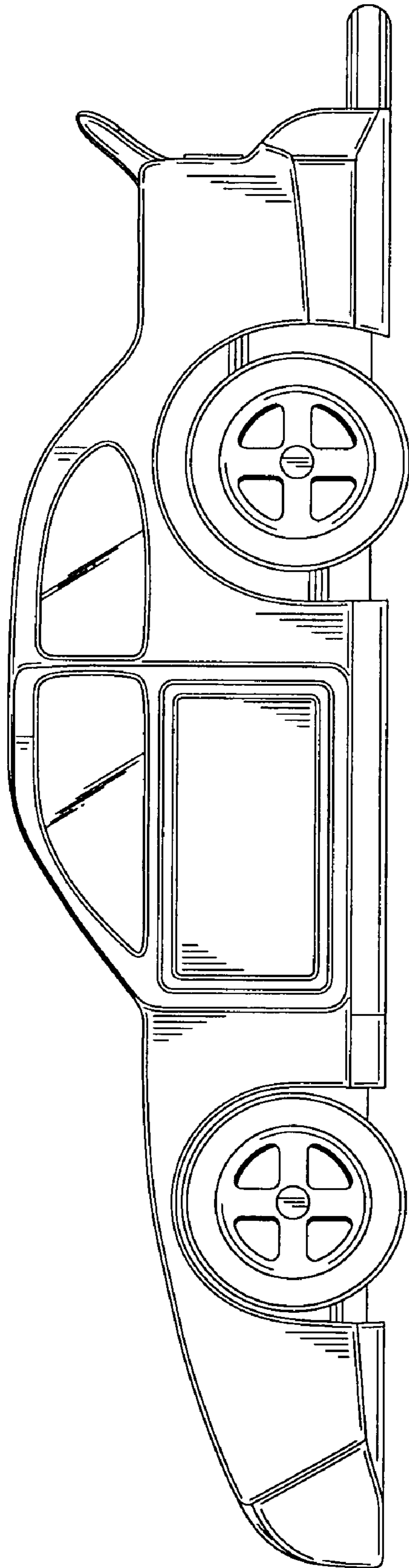


Fig. 3

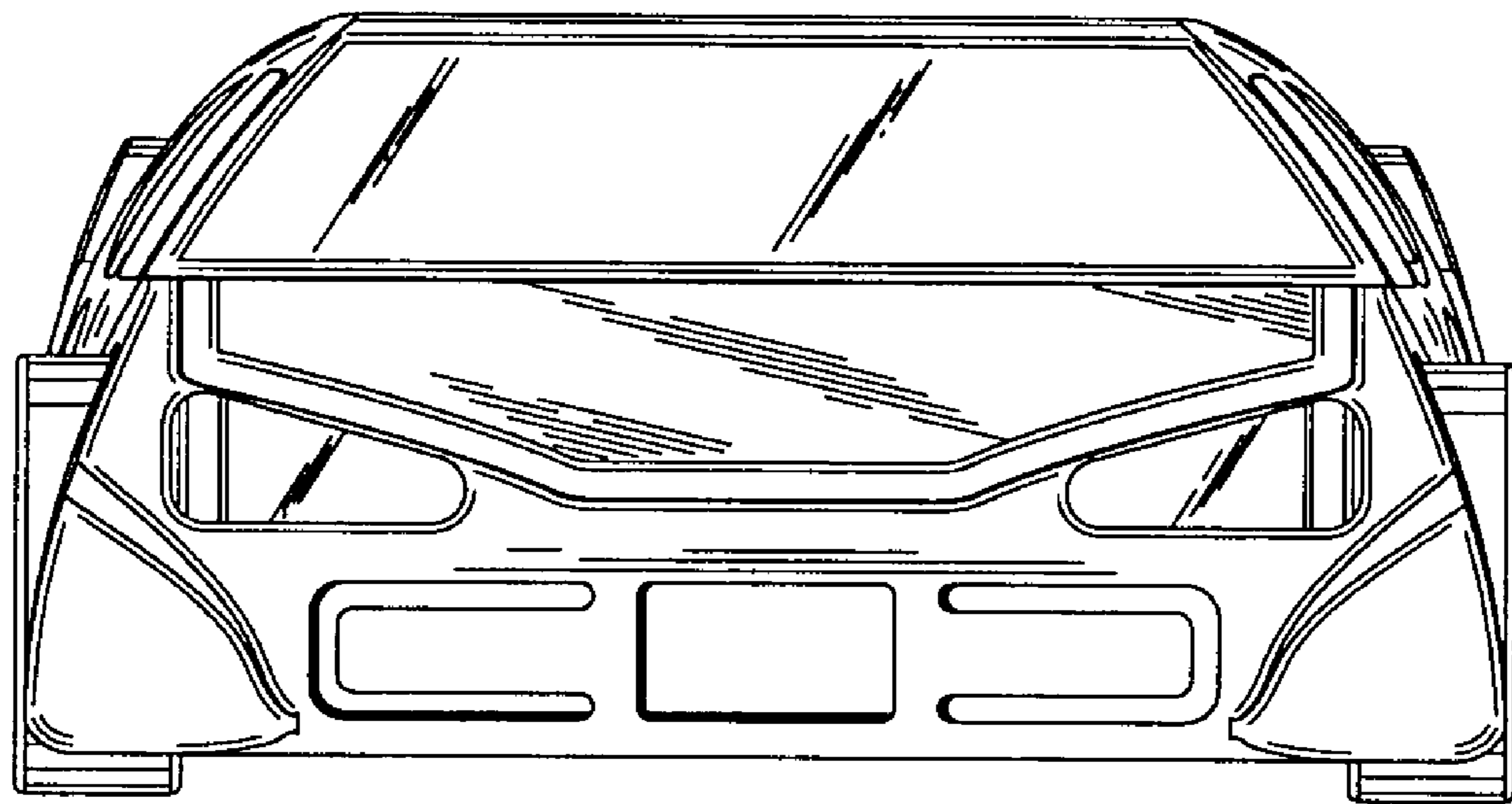


Fig. 4

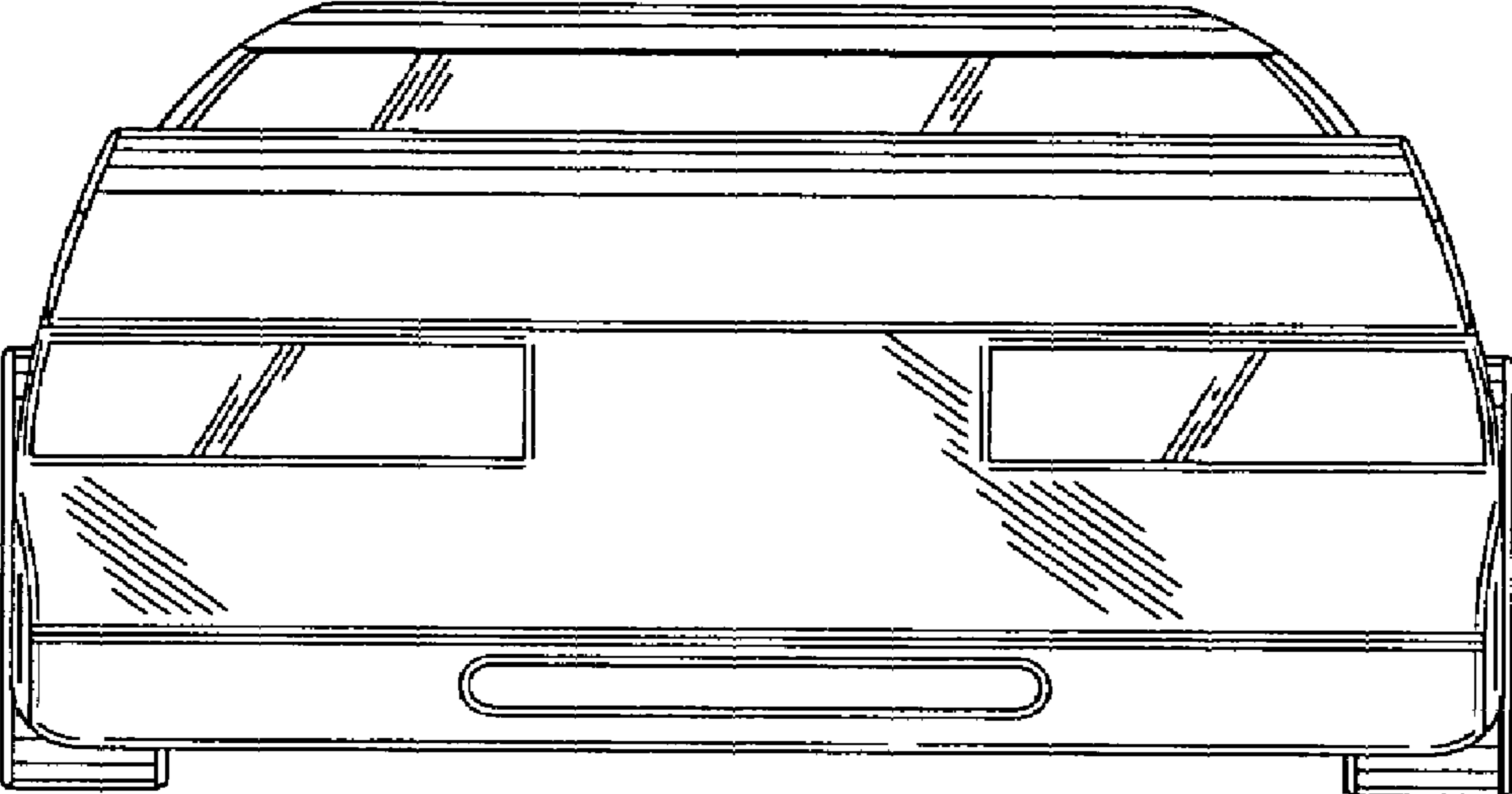


Fig. 5

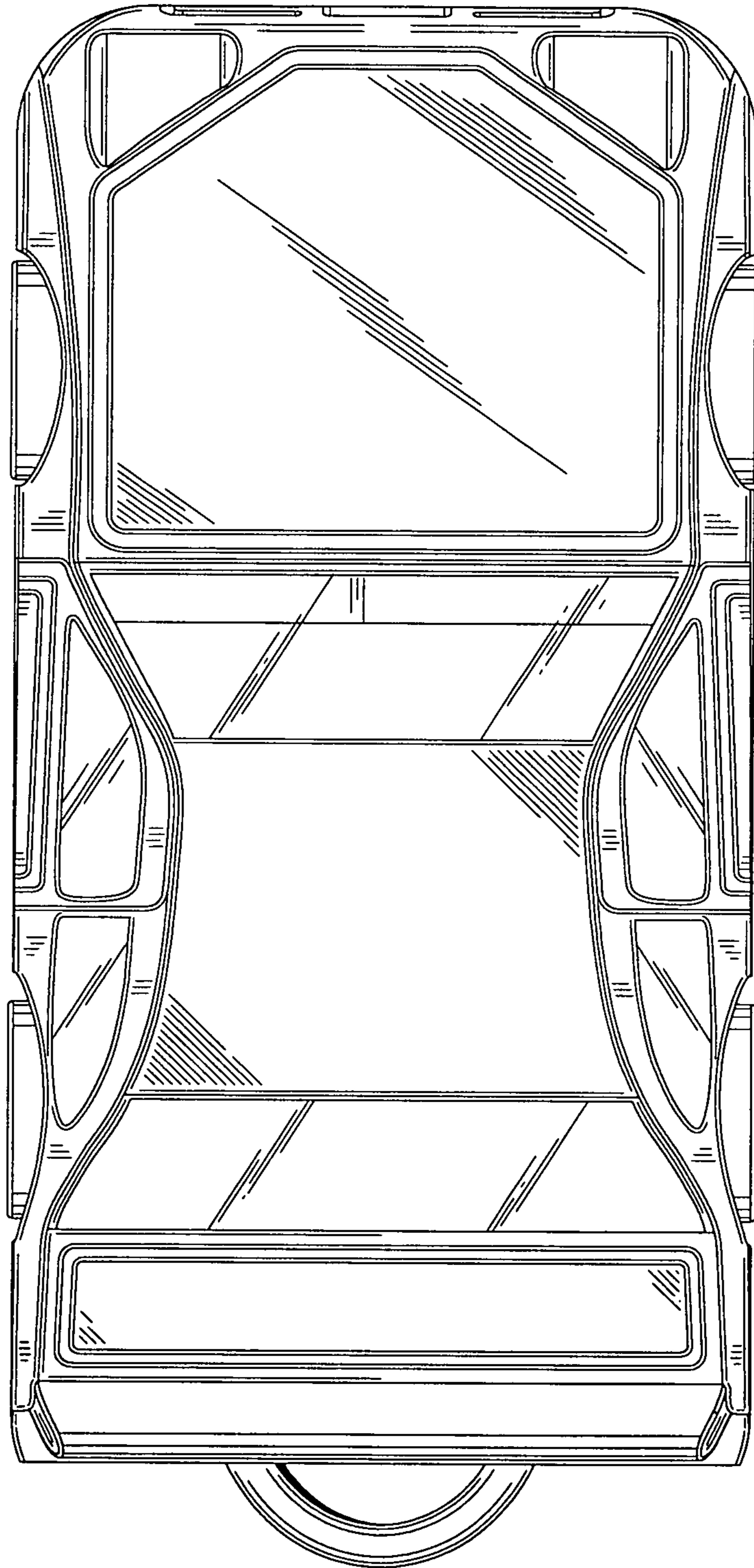


Fig. 6

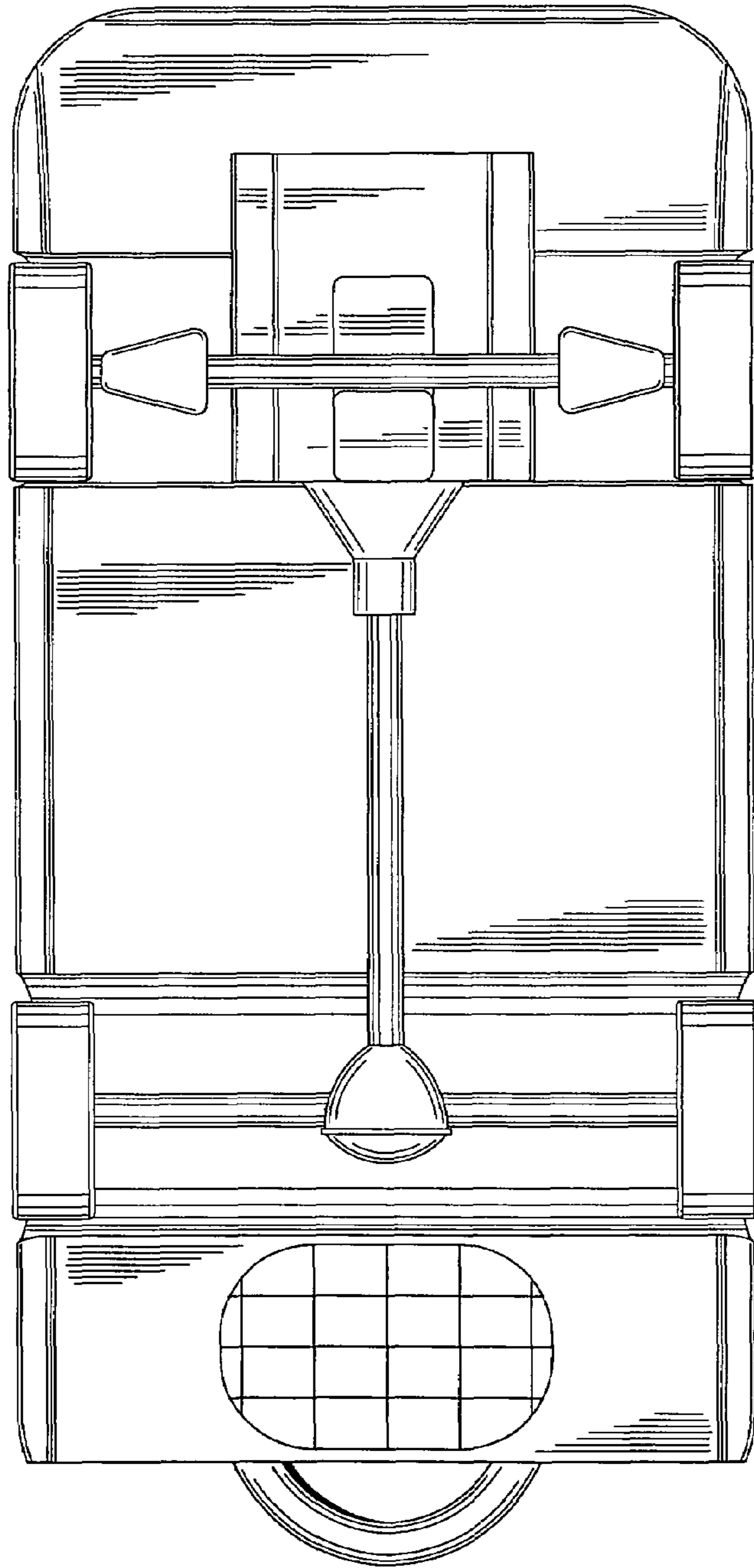


Fig. 7