



US00D594732S

(12) **United States Design Patent**
Berstler et al.

(10) **Patent No.:** **US D594,732 S**
(45) **Date of Patent:** **** Jun. 23, 2009**

(54) **COVER FOR A CASEMENT WINDOW HANDLE**

(75) Inventors: **Russell A. Berstler**, Warroad, MN (US);
Johannes N. Gaston, Minnetonka, MN (US); **Douglas J. Van Ornum**,
Minnetonka, MN (US)

(73) Assignee: **Marvin Lumber and Cedar Company**,
Warroad, MN (US)

(**) Term: **14 Years**

(21) Appl. No.: **29/317,516**

(22) Filed: **Apr. 30, 2008**

(51) **LOC (9) Cl.** **08-07**

(52) **U.S. Cl.** **D8/337; D8/331**

(58) **Field of Classification Search** D8/330,
D8/331, 336, 337, 338, 343, 301, 302; 70/89,
70/137, 141, 192, 260, 431, DIG. 20; 292/101,
292/96, 100, 336.3, 196, 241, 137, 344, DIG. 30,
292/DIG. 33

See application file for complete search history.

(56) **References Cited**

U.S. PATENT DOCUMENTS

D371,502 S *	7/1996	Morris	D8/331
D396,397 S *	7/1998	Swan	D8/331
5,927,771 A *	7/1999	Simon et al.	292/241
6,312,275 B1 *	11/2001	Tortorella	439/341
6,354,639 B1 *	3/2002	Minter et al.	292/142
6,367,853 B1 *	4/2002	Briggs	292/336.3
6,450,063 B1 *	9/2002	Harvey et al.	74/547

D487,012 S *	2/2004	Stoll et al.	D8/337
D497,304 S *	10/2004	Stoll et al.	D8/337
D503,083 S *	3/2005	Schlack	D8/331
D528,400 S *	9/2006	Vetter	D8/331
D533,434 S *	12/2006	Riblett et al.	D8/331
D584,595 S *	1/2009	Gray	D8/331

* cited by examiner

Primary Examiner—Prabhakar Deshmukh

(74) *Attorney, Agent, or Firm*—Schwegman, Lundberg & Woessner, P.A.

(57) **CLAIM**

The ornamental design for a cover for a casement window handle, as shown and described.

DESCRIPTION

FIG. 1 is a perspective view of a cover for a casement window handle showing our new design;

FIG. 2 is a rear elevational view thereof;

FIG. 3 is a front elevational view thereof;

FIG. 4 is a top plan view thereof;

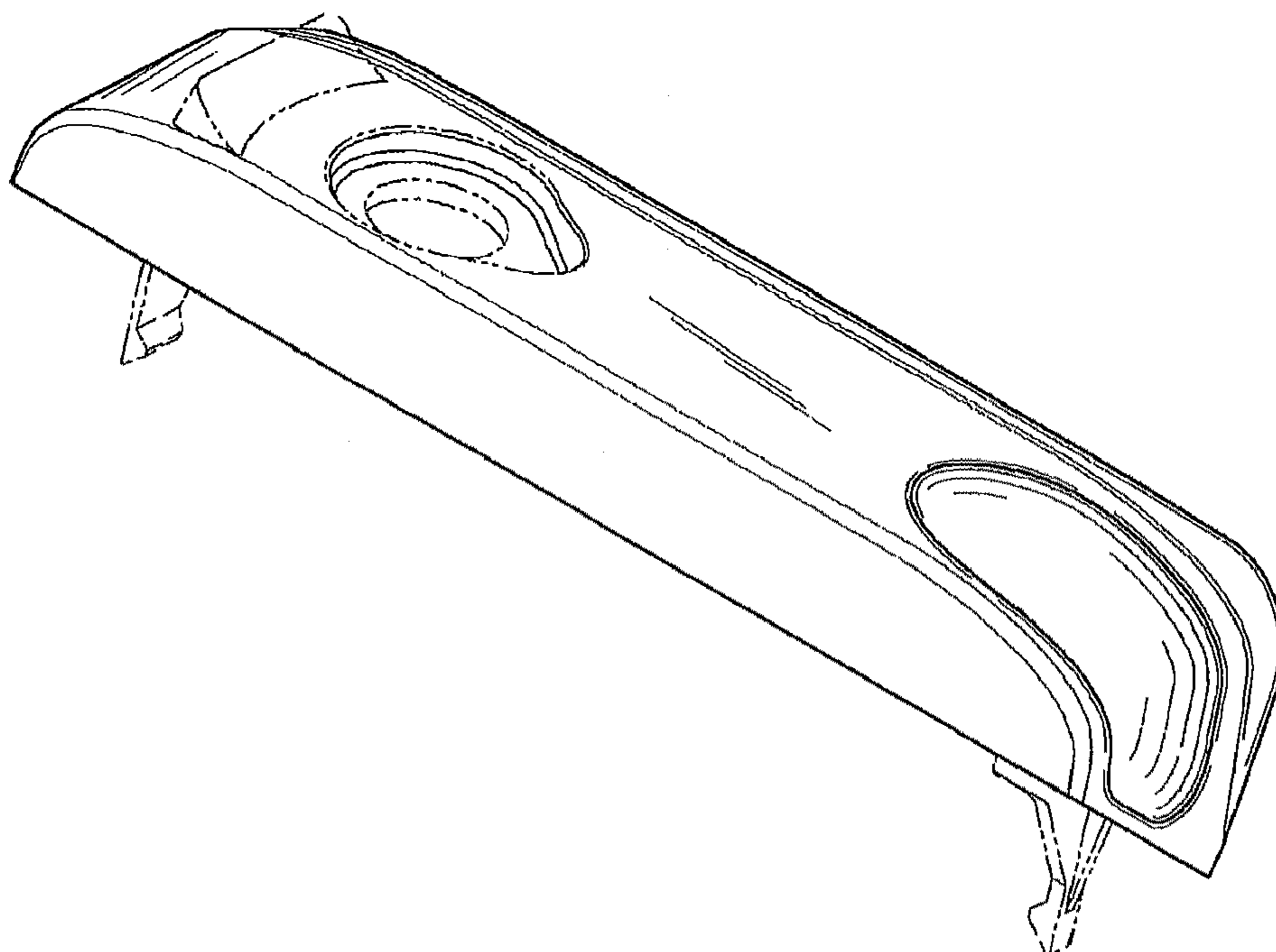
FIG. 5 is a right side elevational view thereof;

FIG. 6 is a left side elevational view thereof; and,

FIG. 7 is a perspective view therefore, showing the article in use.

The broken lines, which define the bounds of the claimed design, form no part thereof. Other broken lines are for illustrative purpose only and form no part of the claimed design. The bottom of the design disclaimed.

1 Claim, 4 Drawing Sheets



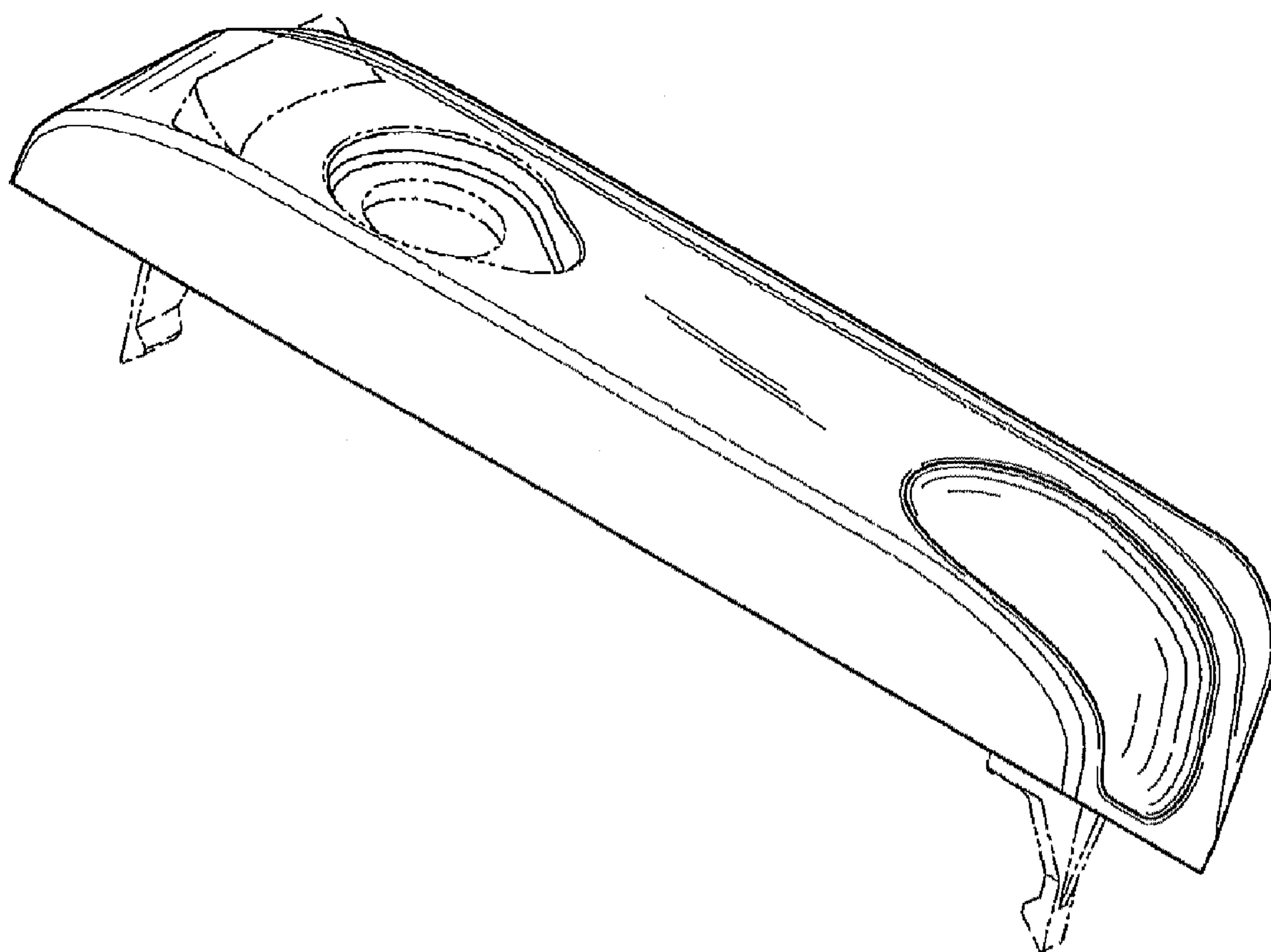


FIG. 1

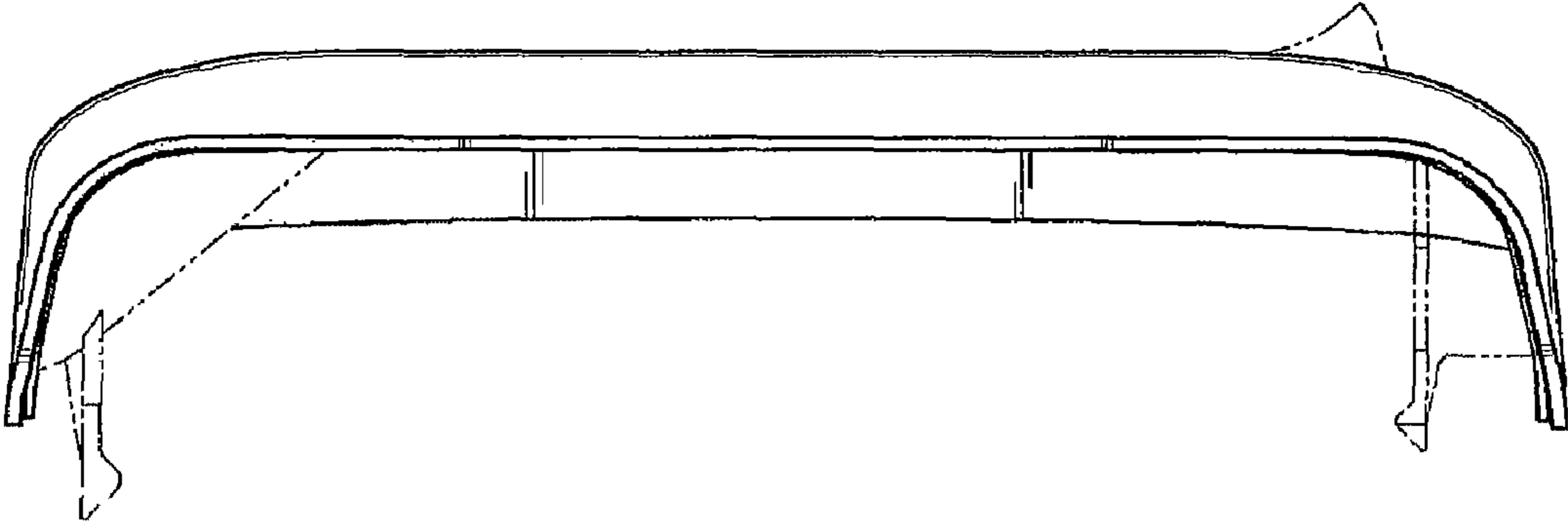


FIG. 2

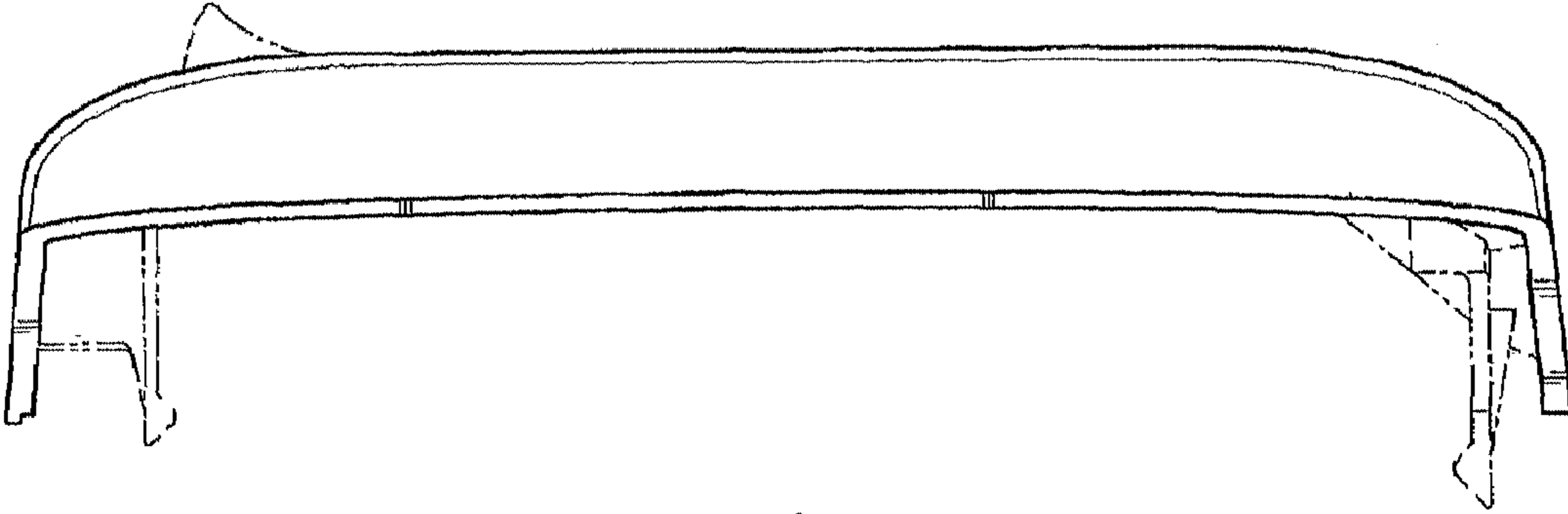


FIG. 3

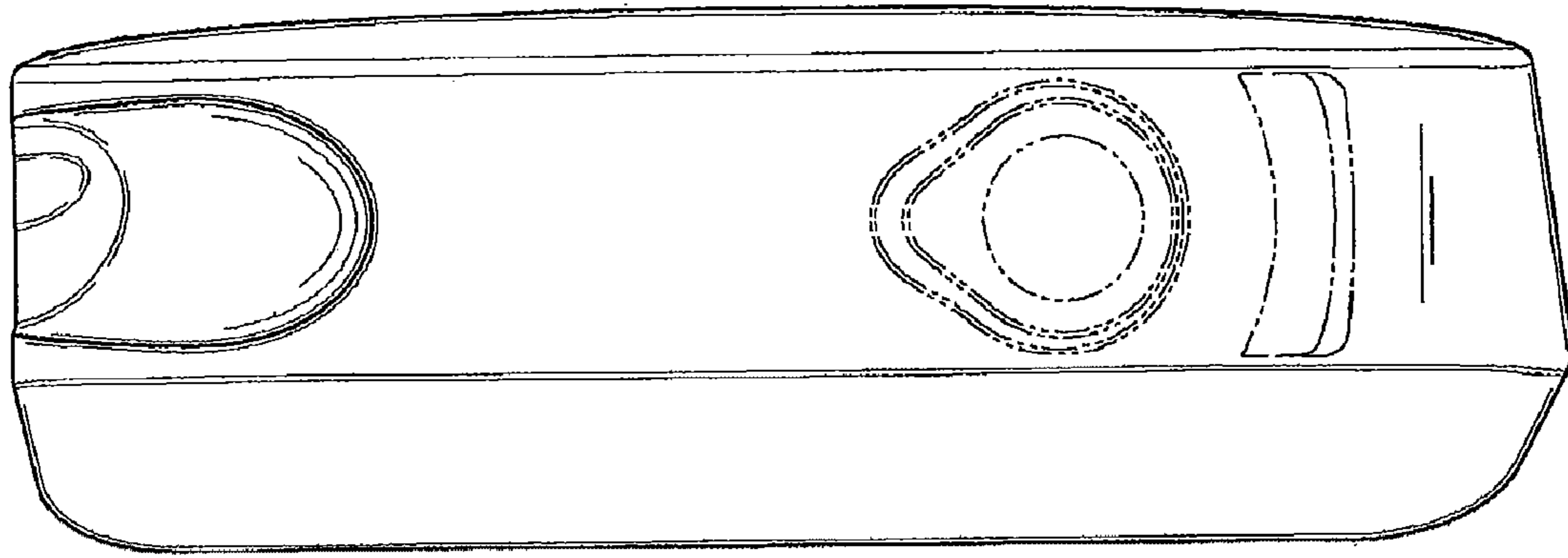


FIG. 4

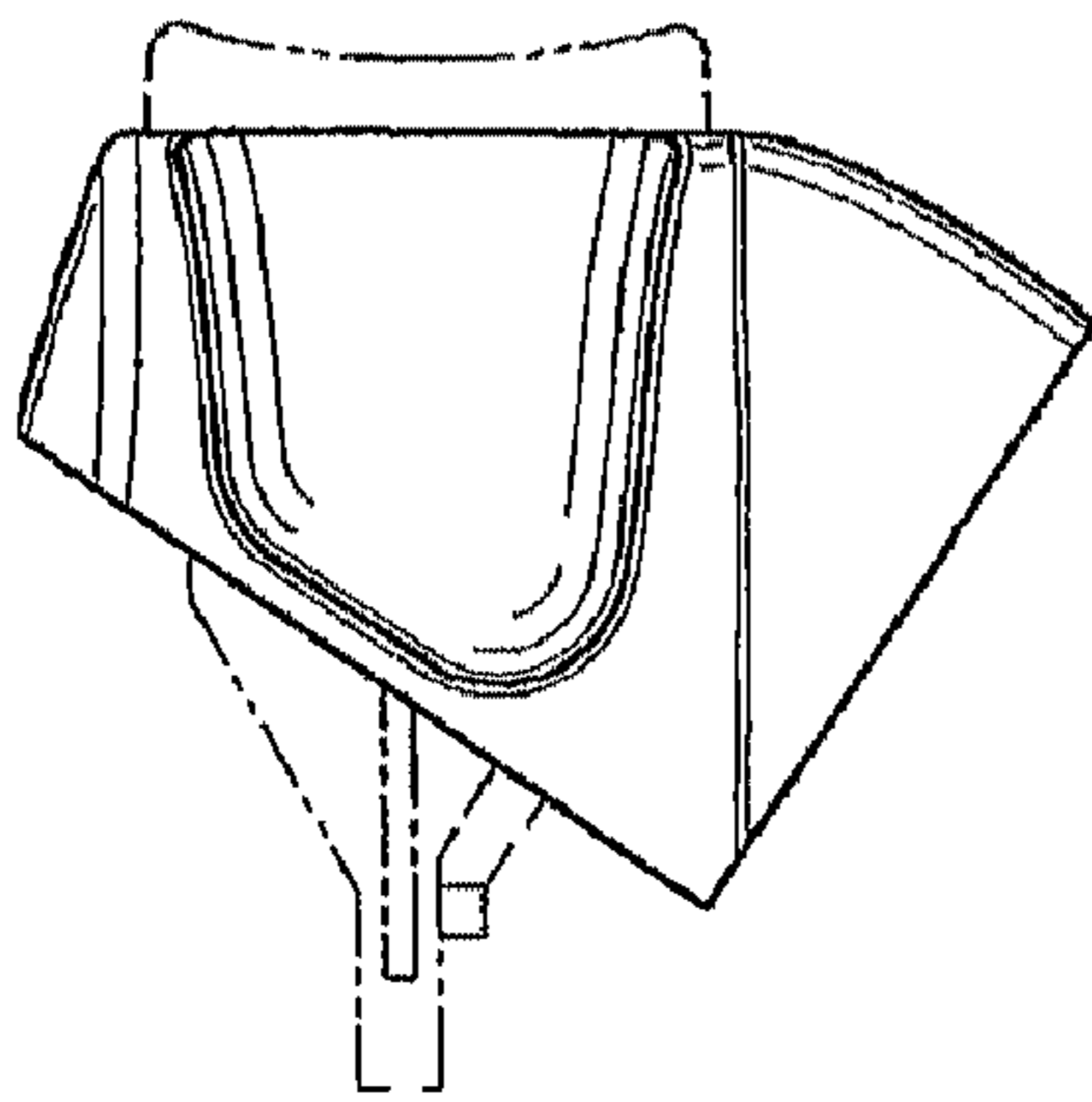


FIG. 5

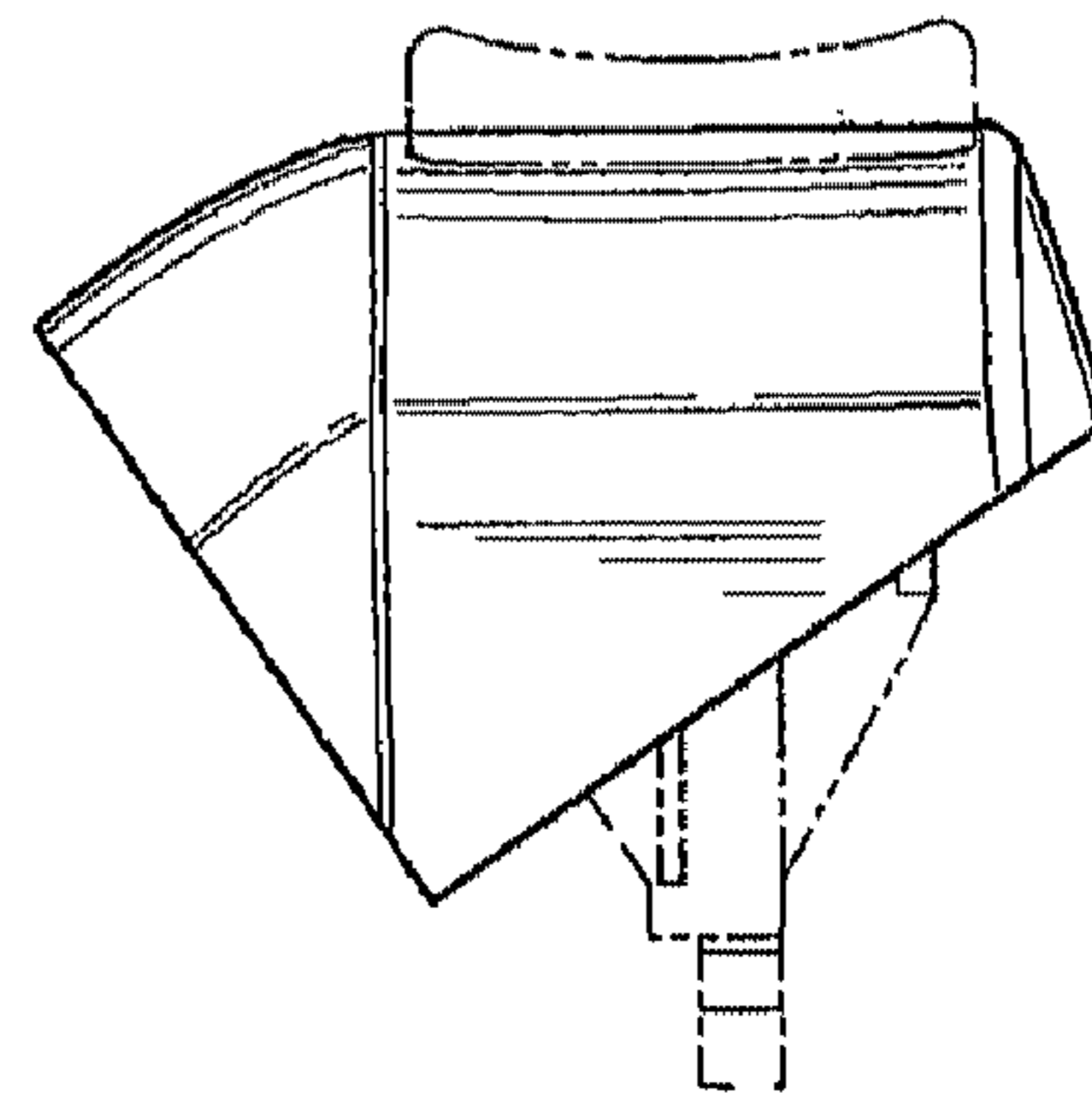


FIG. 6

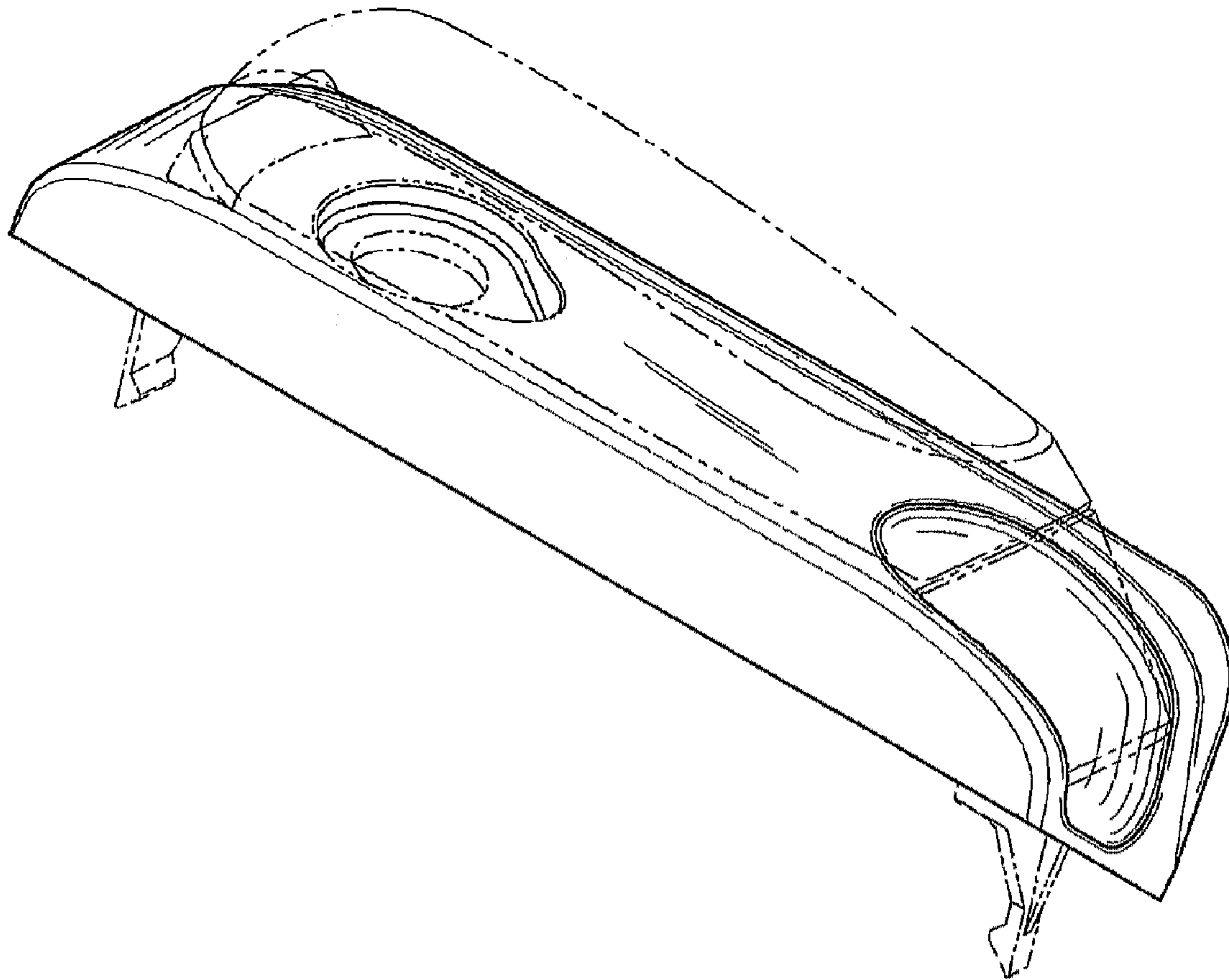


FIG. 7

UNITED STATES PATENT AND TRADEMARK OFFICE
CERTIFICATE OF CORRECTION

PATENT NO. : Des. 594,732 S
APPLICATION NO. : 29/317516
DATED : June 23, 2009
INVENTOR(S) : Russell A. Berstler et al.

Page 1 of 1

It is certified that error appears in the above-identified patent and that said Letters Patent is hereby corrected as shown below:

On the title page, item (73), in "Assignee", in column 1, line 1, delete "Marvin Lumber and Cedar Company," and insert -- Marvin Lumber and Cedar Company, d/b/a Marvin Windows and Doors --, therefor.

Signed and Sealed this

Twenty-fifth Day of August, 2009



David J. Kappos
Director of the United States Patent and Trademark Office