



US00D594731S

(12) **United States Design Patent**
Plato

(10) **Patent No.:** **US D594,731 S**
(45) **Date of Patent:** **** Jun. 23, 2009**

- (54) **LOCK**
- (75) Inventor: **Lea Marie Plato**, Milwaukee, WI (US)
- (73) Assignee: **Master Lock Company LLC**, Oak Creek, WI (US)
- (**) Term: **14 Years**
- (21) Appl. No.: **29/326,042**
- (22) Filed: **Oct. 10, 2008**
- (51) **LOC (9) Cl.** **08-07**
- (52) **U.S. Cl.** **D8/334**
- (58) **Field of Classification Search** D8/334,
D8/330, 331, 333, 336, 341, 343; D10/22;
70/21, 31, 35-48, 52-54, 278.1
See application file for complete search history.

- D476,216 S * 6/2003 Vito D8/334
- 6,718,803 B2 4/2004 Knoll
- D512,900 S 12/2005 Tarter et al.
- D516,408 S 3/2006 Kearns et al.
- D517,396 S 3/2006 Tarter et al.
- D528,401 S * 9/2006 Ruan D8/343
- D533,764 S * 12/2006 Heppner D8/343
- D541,228 S * 4/2007 Thursfield D13/168
- D545,177 S * 6/2007 Vito D8/343
- D557,107 S 12/2007 Van Handel et al.

* cited by examiner

Primary Examiner—Prabhakar Deshmukh
Assistant Examiner—Derrick Holland
(74) *Attorney, Agent, or Firm*—Calfee, Halter & Griswold LLP

(56) **References Cited**

U.S. PATENT DOCUMENTS

228,619	A	6/1880	Estes et al.	
745,064	A	11/1903	Katzenberger	
825,735	A	7/1906	Katzenberger	
3,756,046	A	9/1973	Jeh	
3,952,559	A	4/1976	Atkinson	
4,422,311	A	12/1983	Zabel et al.	
4,476,698	A	10/1984	Treslo	
D342,010	S *	12/1993	Lebrecht et al.	D8/334
D395,814	S *	7/1998	Yang	D8/334
D406,043	S	2/1999	LeClaire	
D411,730	S *	6/1999	Matyko	D8/334
D425,398	S	5/2000	Fiegenger et al.	
D426,138	S *	6/2000	Matyko	D8/334
D449,510	S *	10/2001	Liu	D8/334
6,298,694	B1	10/2001	Knoll	
D470,745	S *	2/2003	Gast	D8/346
D471,429	S *	3/2003	Williams et al.	D8/334
D472,129	S *	3/2003	Hill et al.	D8/333

(57) **CLAIM**

I claim the ornamental design for a lock, as shown and described.

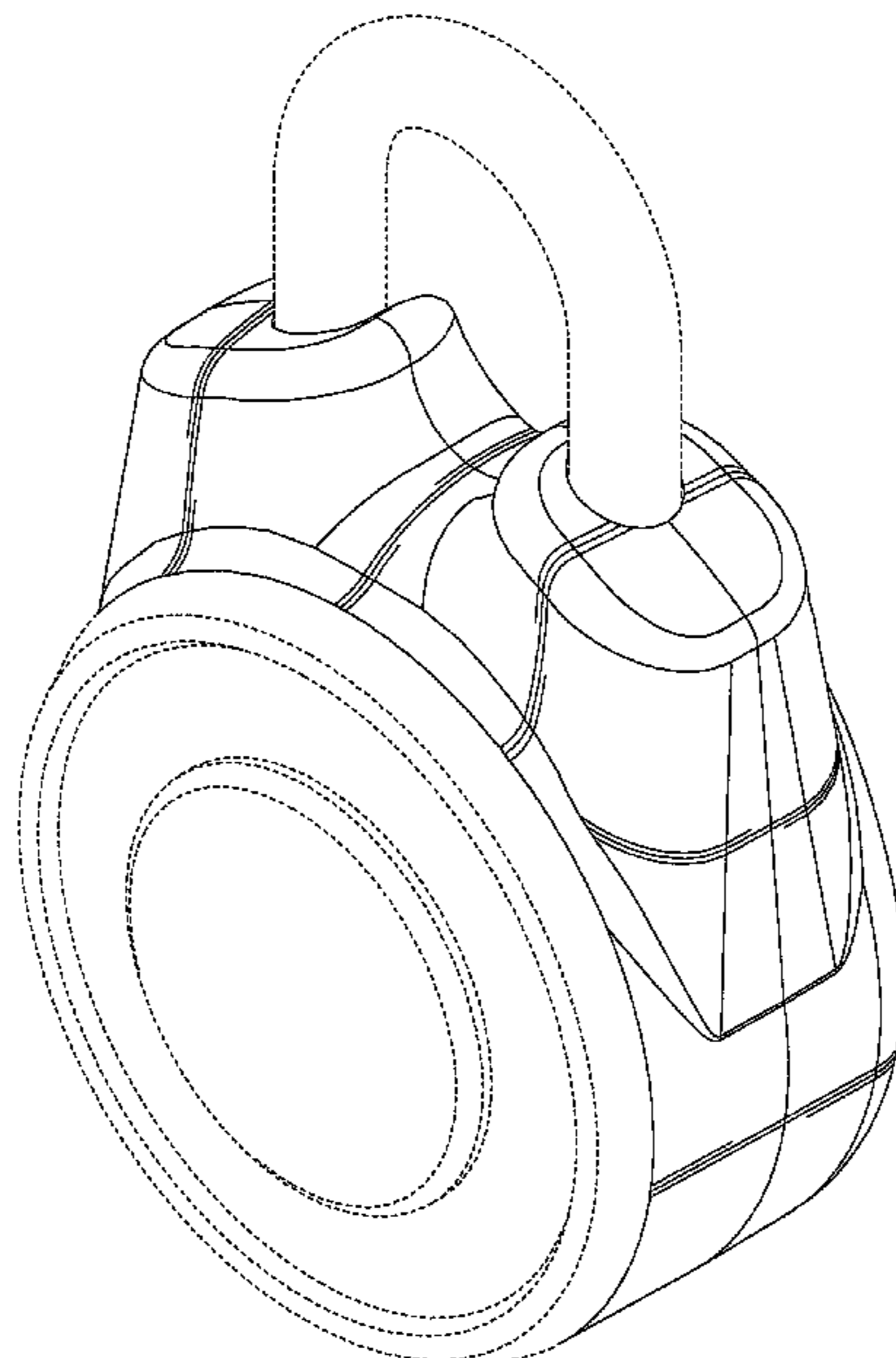
DESCRIPTION

FIG. 1 is a front perspective view of a lock showing my new design;
FIG. 2 is a top plan view thereof;
FIG. 3 is a front view thereof;
FIG. 4 is a rear view thereof;
FIG. 5 is a bottom plan view thereof;
FIG. 6 is a right side view thereof; and,
FIG. 7 is a left side view thereof.

The portions of the Figures shown in broken lines are not part of the claimed design and are for illustration only.

The broken lines, which define the bounds of the claimed design, form no part thereof.

1 Claim, 4 Drawing Sheets



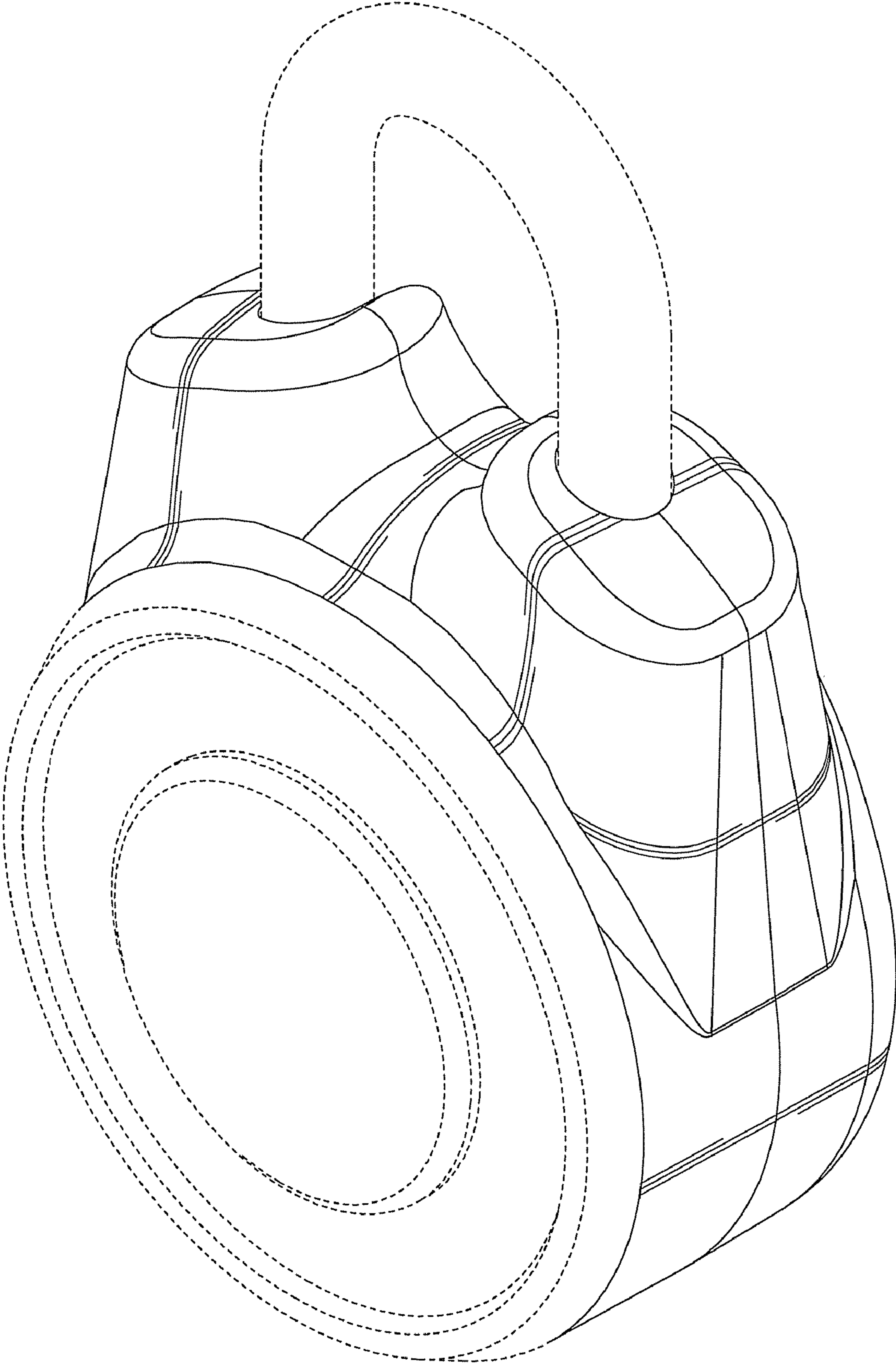


FIG. 1

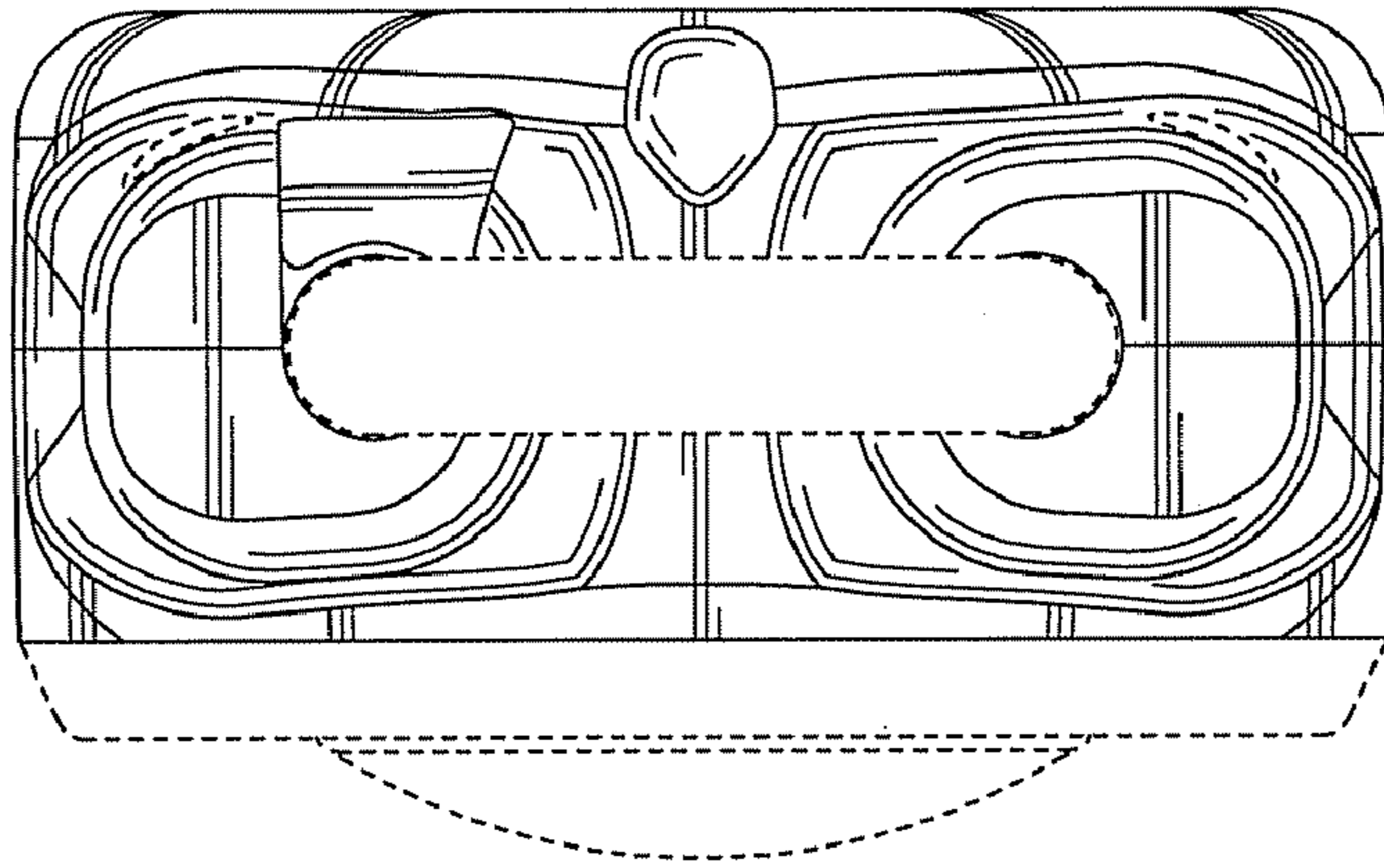


FIG. 2

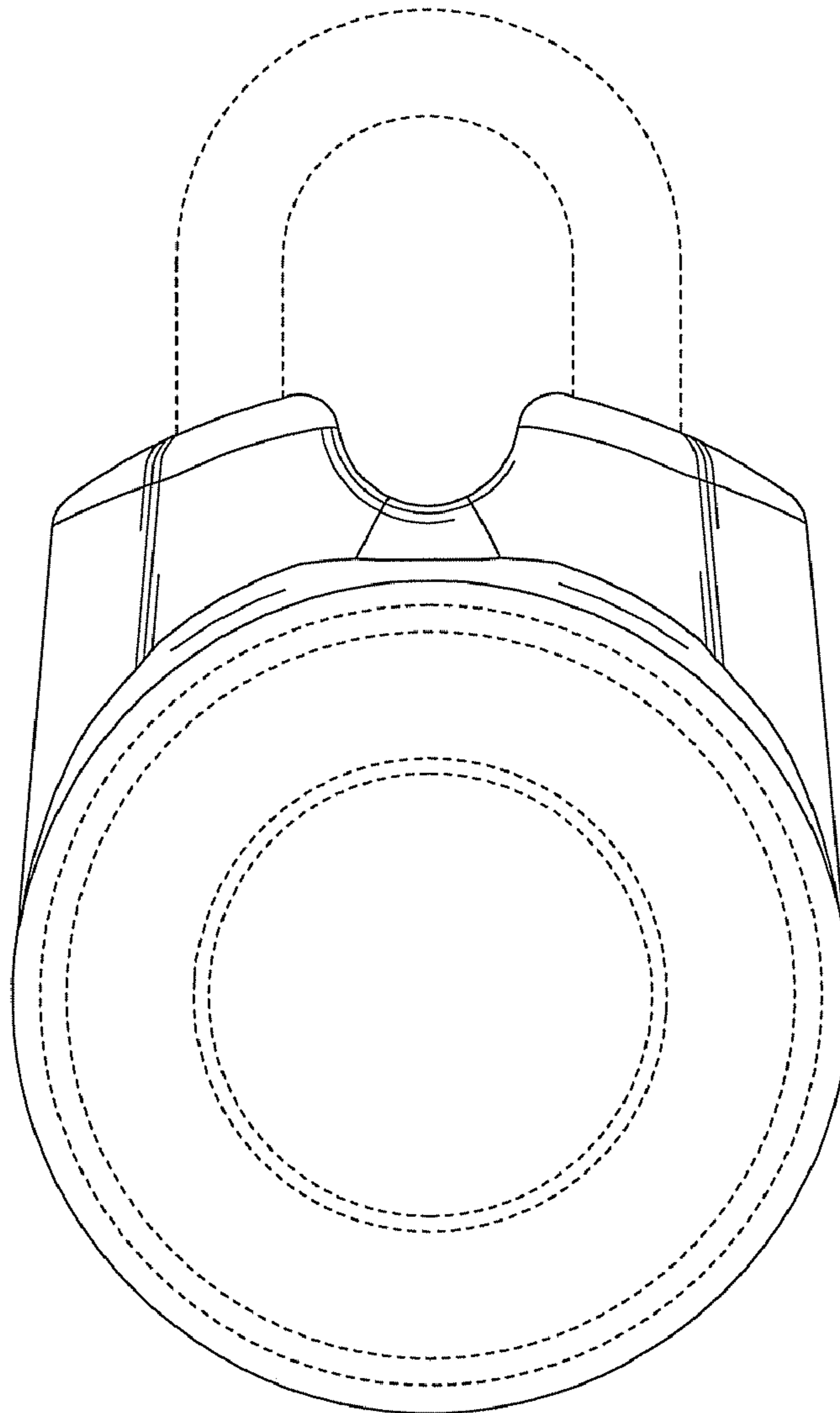


FIG. 3

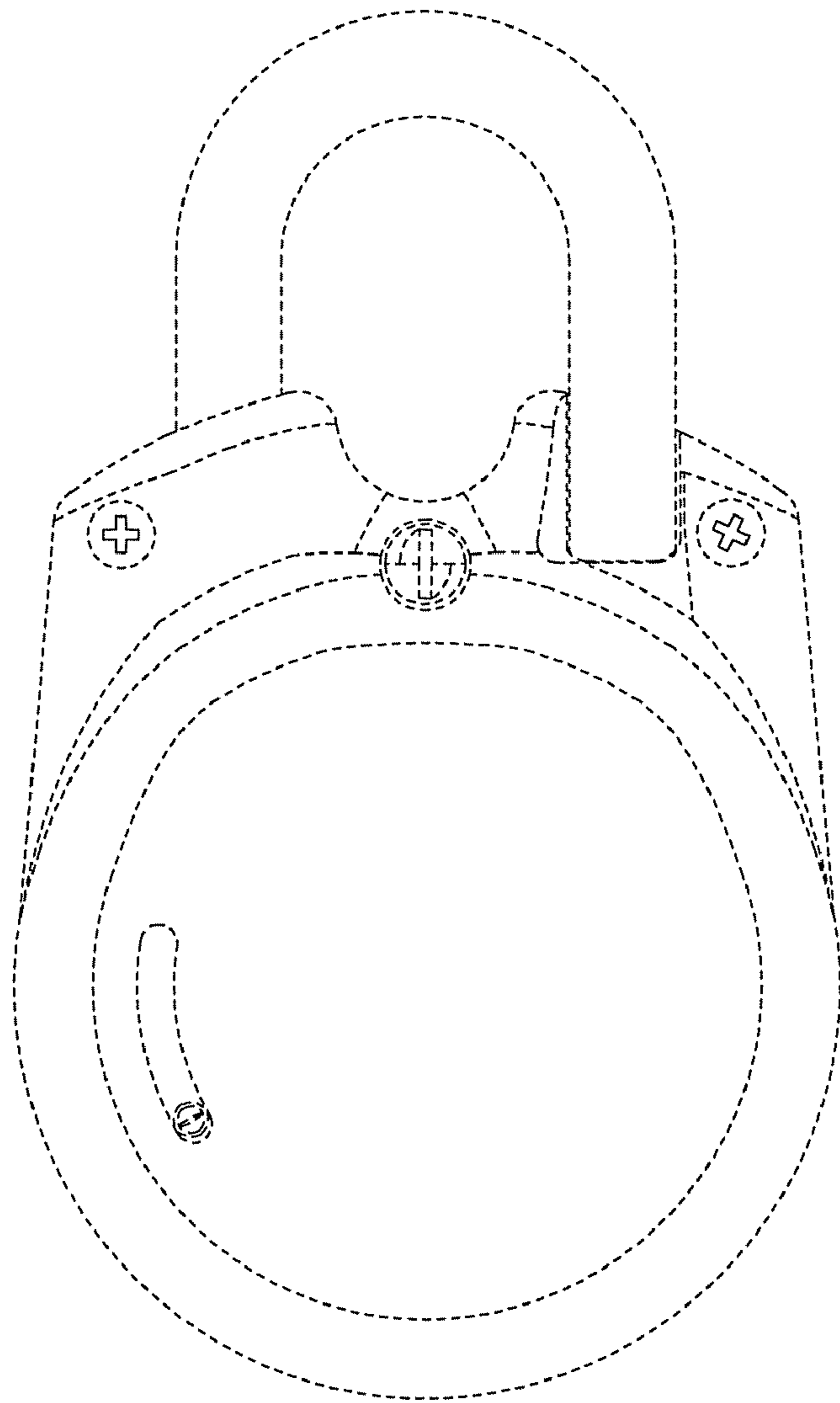


FIG. 4

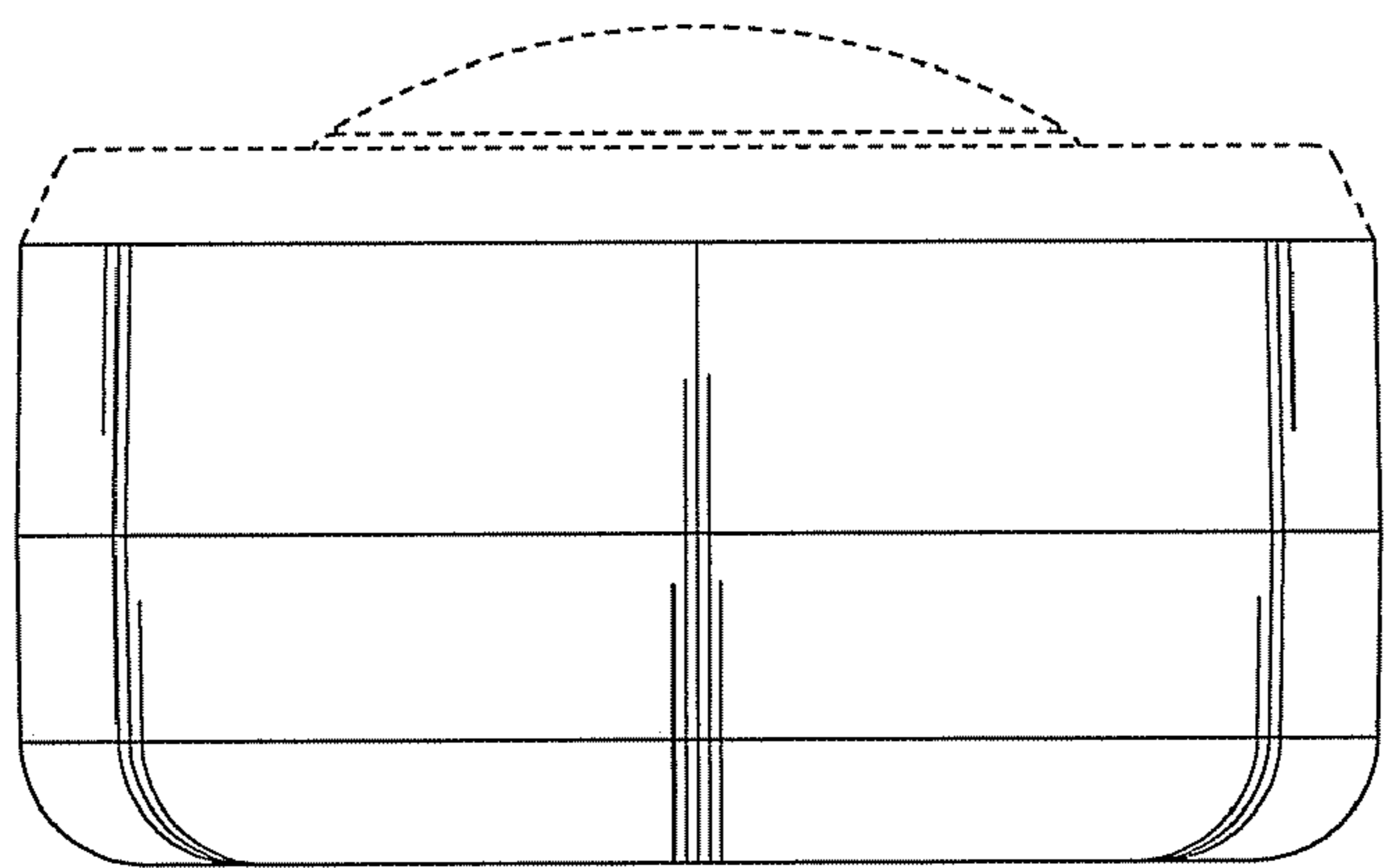


FIG. 5

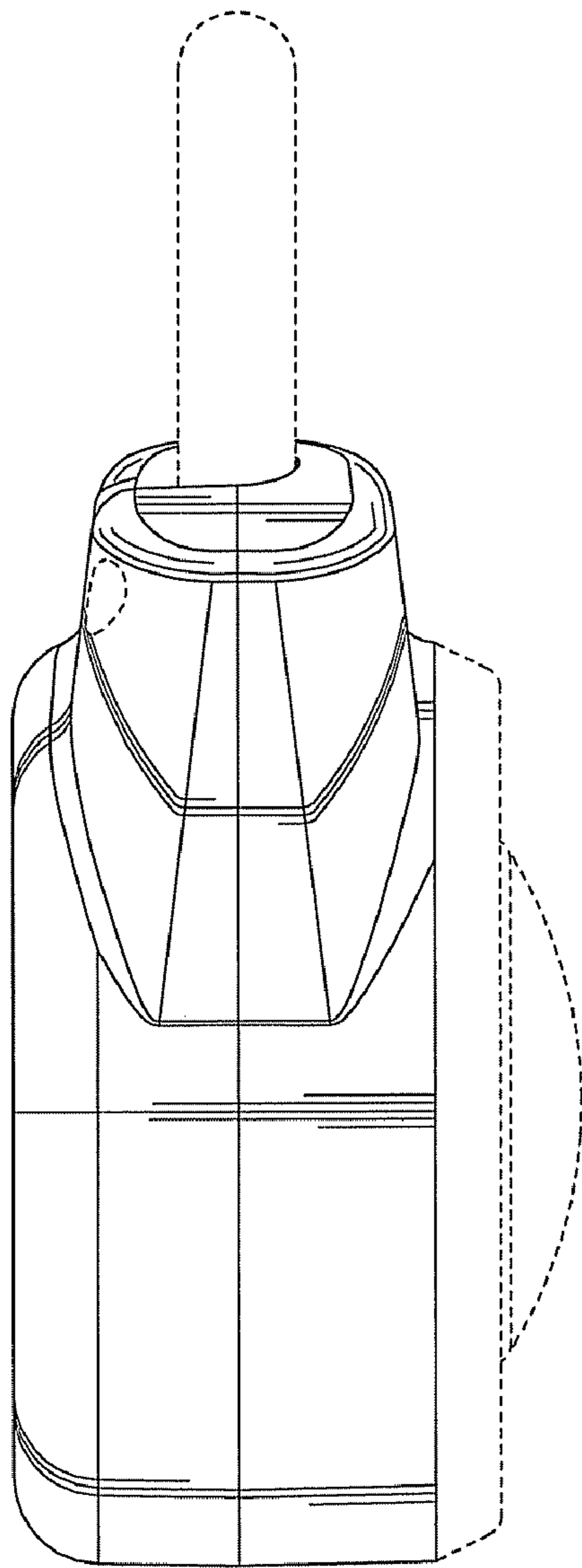


FIG. 6

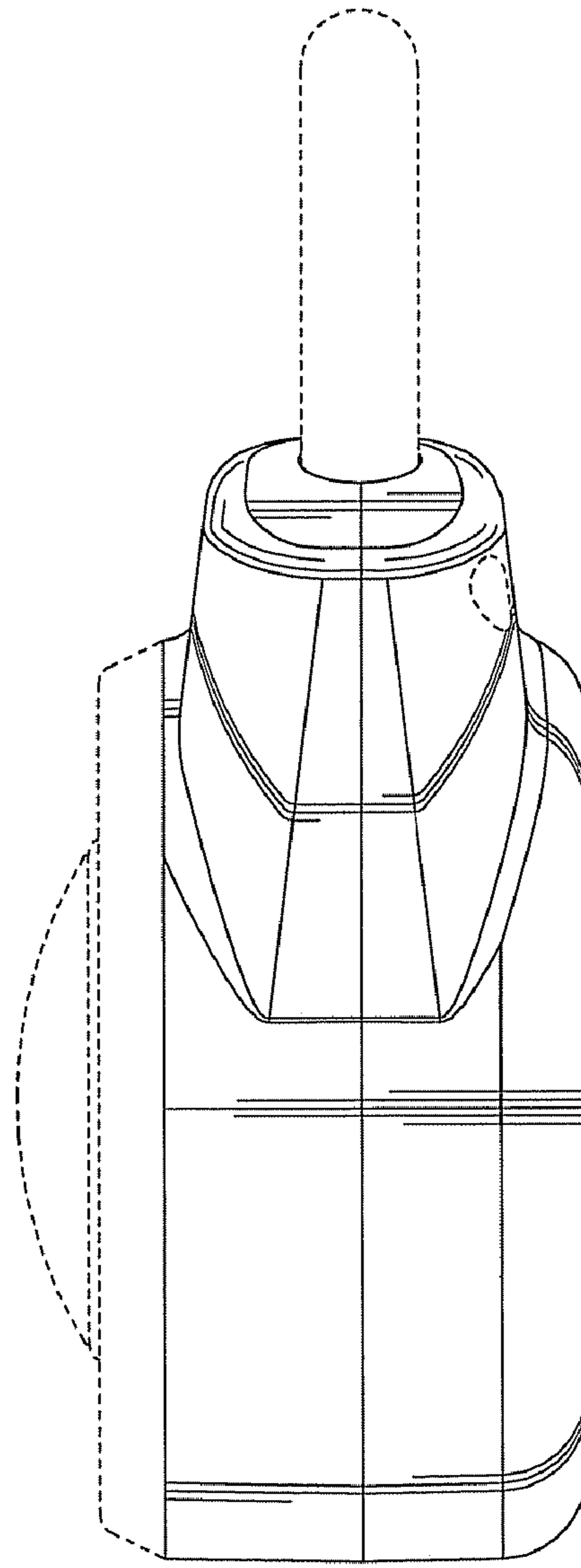


FIG. 7