



US00D594730S

(12) **United States Design Patent**
Sedwick

(10) **Patent No.:** **US D594,730 S**
(45) **Date of Patent:** **** Jun. 23, 2009**

(54) **HANDLE**

(75) Inventor: **Jennifer P. Sedwick**, Lakewood, OH
(US)

(73) Assignee: **Moen Incorporated**, North Olmsted,
OH (US)

(**) Term: **14 Years**

(21) Appl. No.: **29/269,030**

(22) Filed: **Nov. 17, 2006**

(51) **LOC (9) Cl.** **08-06**

(52) **U.S. Cl.** **D8/308**

(58) **Field of Classification Search** D8/300,
D8/301, 307, 308, DIG. 1, DIG. 10; D23/250,
D23/252; 16/110.1, 412; 292/336.3, DIG. 30;
74/543, 557; 137/801; 4/675-678
See application file for complete search history.

(56) **References Cited**

U.S. PATENT DOCUMENTS

D74,827 S	4/1928	Graff	
D82,598 S *	11/1930	Brownell	D8/308
D99,251 S	2/1936	Tjaarda	
D131,217 S *	1/1942	Braun	D8/308
2,318,589 A *	5/1943	Barnette	264/255
2,355,978 A *	8/1944	Keeler	16/412
D149,676 S	5/1948	Roblin	
D157,612 S	3/1950	Lueneberg et al.	
2,878,489 A	3/1959	Graham	
3,427,049 A	2/1969	Politz	
3,885,269 A *	5/1975	Helland	292/336.3
D285,597 S	9/1986	Miller et al.	
D306,251 S	2/1990	Kuli	
D325,622 S	4/1992	Bengtson	
D332,386 S	1/1993	Plummer	
D348,509 S	7/1994	Bollenbacher	
D356,484 S	3/1995	Scholl	

D357,525 S	4/1995	Fabian	
D361,488 S *	8/1995	Carsello	D8/308
D361,489 S *	8/1995	Carsello	D8/308
D364,216 S	11/1995	Hill et al.	
D382,942 S	8/1997	Spurgeon et al.	
D391,826 S *	3/1998	Diebel	D8/308
D395,220 S	6/1998	Klinker	
D406,042 S	2/1999	Klinker	
D407,144 S	3/1999	Formgren	
D407,466 S	3/1999	Hundley et al.	
D416,985 S	11/1999	Green et al.	
D424,171 S	5/2000	Fabian	
D426,871 S	6/2000	Fleischmann	
D430,651 S	9/2000	Fiegl et al.	
D433,732 S	11/2000	Lord	
D443,031 S	5/2001	Strader et al.	
D448,067 S	9/2001	Pitsch	
D454,622 S	3/2002	Isaacs	

(Continued)

Primary Examiner—Paula Greene

(74) *Attorney, Agent, or Firm*—Calfee, Halter & Griswold
LLP

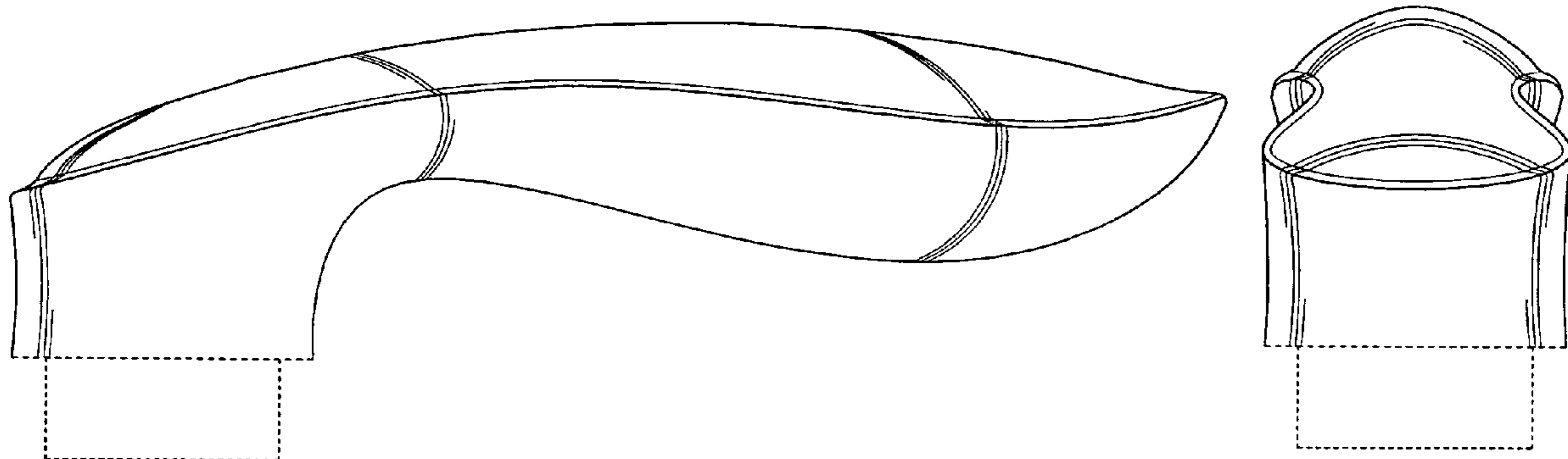
(57) **CLAIM**

The ornamental design for a handle, as shown and described.

DESCRIPTION

FIG. 1 is a perspective view of a handle of the new design;
FIG. 2 is a front elevational view of the handle of FIG. 1;
FIG. 3 is a rear elevational view of the handle of FIG. 1;
FIG. 4 is a left side elevational view of the handle of FIG. 1;
FIG. 5 is a right side elevational view of the handle of FIG. 1;
FIG. 6 is a top plan view of the handle of FIG. 1; and,
FIG. 7 is a bottom plan view of the handle of FIG. 1.
The portions of the Figures shown in broken lines are not part
of the claimed design and are for illustration only.

1 Claim, 3 Drawing Sheets



US D594,730 S

Page 2

U.S. PATENT DOCUMENTS

D457,048 S	5/2002	Zoerner et al.		D482,757 S	11/2003	Blomstrom
D457,049 S *	5/2002	Zoerner et al.	D8/308	D485,332 S	1/2004	Blomstrom
6,386,602 B1 *	5/2002	Lan	292/336.3	D494,834 S	8/2004	Etlicher
D458,346 S	6/2002	Mullenmeister		D496,436 S	9/2004	Ouyoung
D464,119 S	10/2002	Blomstrom		6,854,920 B2	2/2005	Romero
D466,980 S	12/2002	Pitsch et al.		6,880,805 B2	4/2005	Ortega, Jr. et al.
D469,513 S	1/2003	Marshall		D505,714 S	5/2005	Dretzka
D470,574 S	2/2003	Marshall		D511,671 S *	11/2005	Gorkovenko D8/308
D470,922 S	2/2003	Marshall		D521,354 S *	5/2006	Gilbert et al. D8/308
D472,307 S	3/2003	Blomstrom		D531,271 S *	10/2006	Kohler et al. D23/252
D472,610 S	4/2003	Marshall		D532,279 S *	11/2006	Bouroullec et al. D8/308
D472,964 S	4/2003	Marshall		D537,702 S *	3/2007	Roberts, III D8/308
D474,259 S	5/2003	Marshall		D545,169 S *	6/2007	Kosasih D8/308
D475,125 S	5/2003	Marinov		D557,585 S *	12/2007	Linares D8/308
D475,767 S	6/2003	Yegyayan et al.		D566,517 S *	4/2008	Lin D8/308
D476,398 S	6/2003	Ouyoung		D587,091 S *	2/2009	Chen D8/308

* cited by examiner

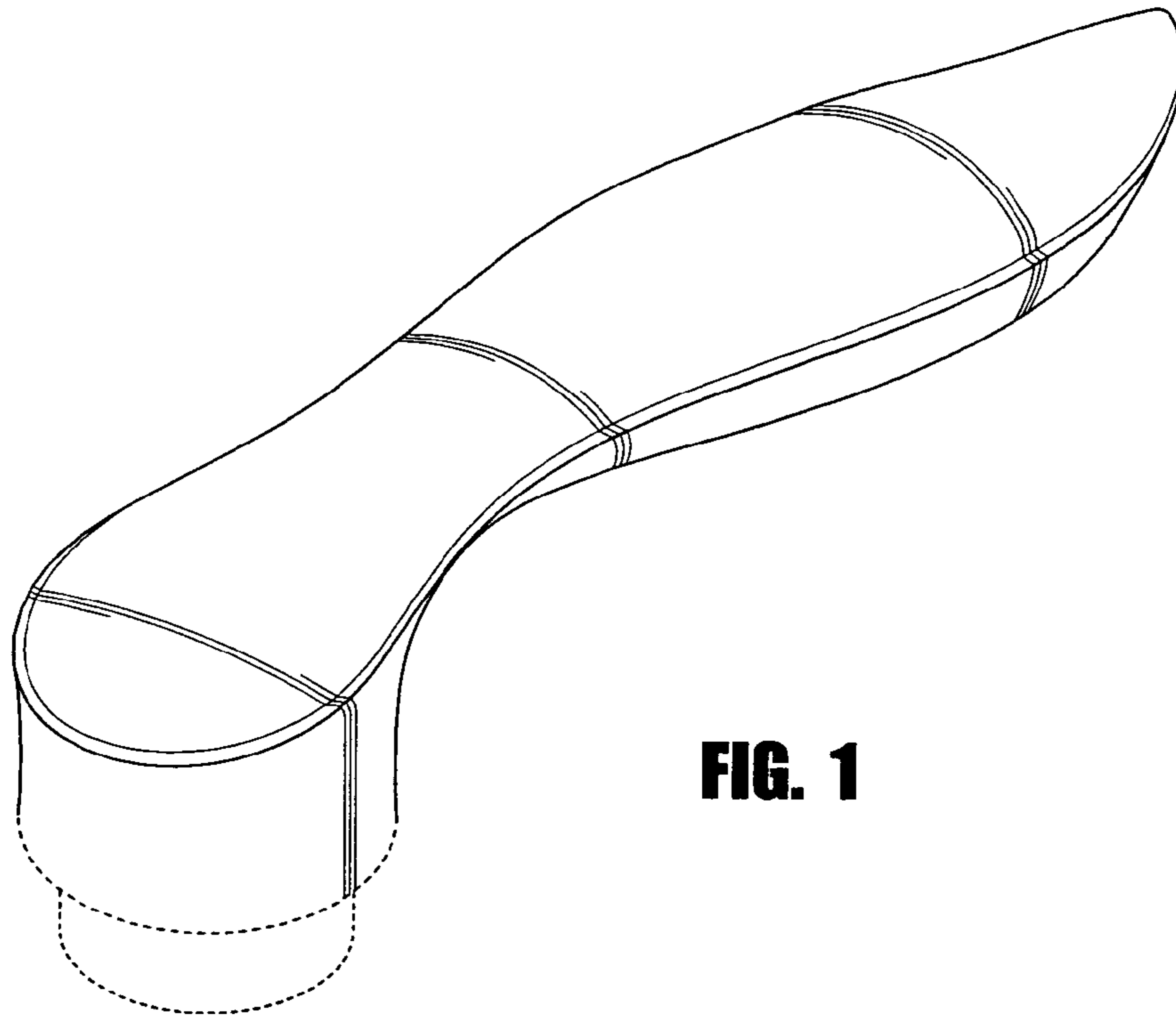


FIG. 1

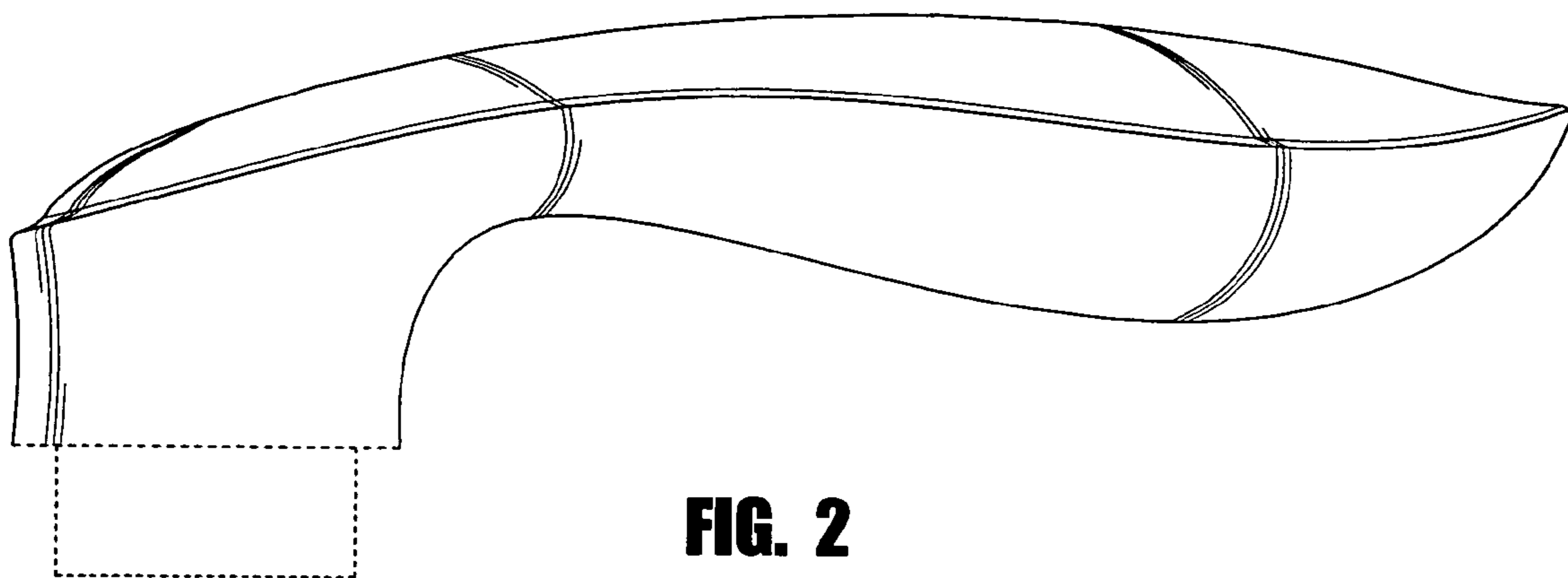


FIG. 2

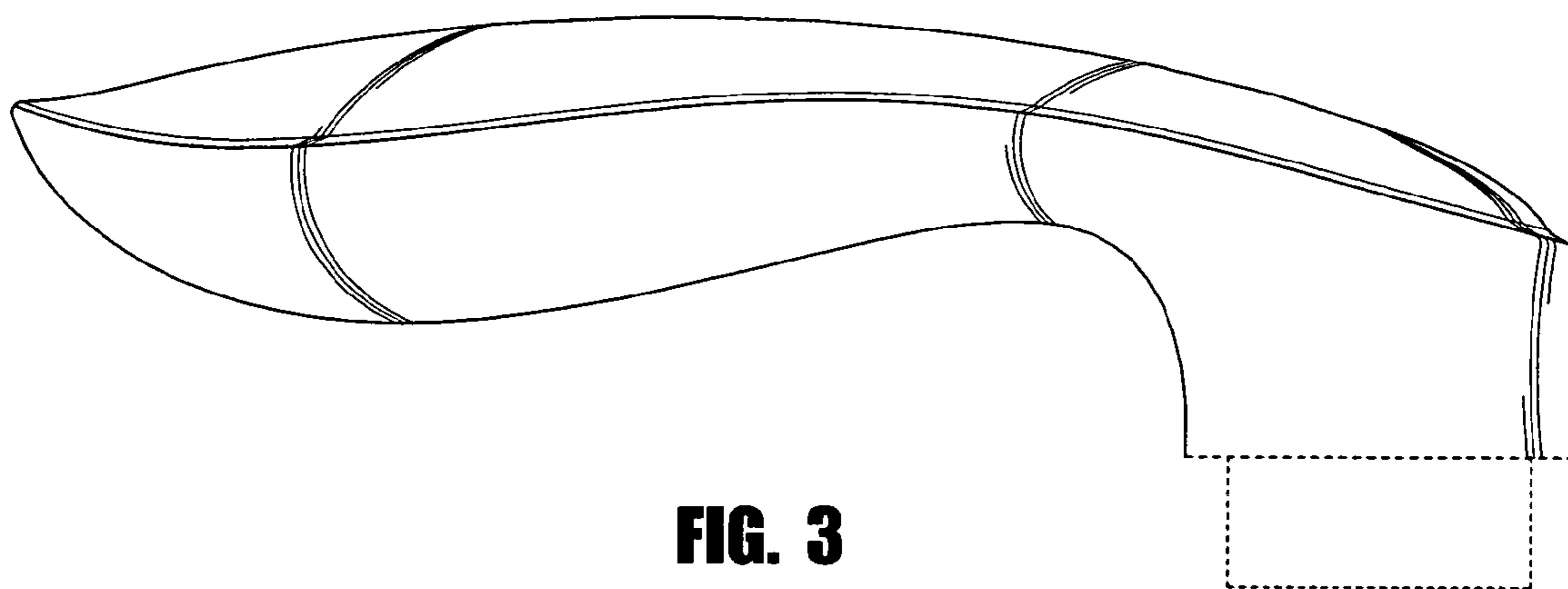


FIG. 3

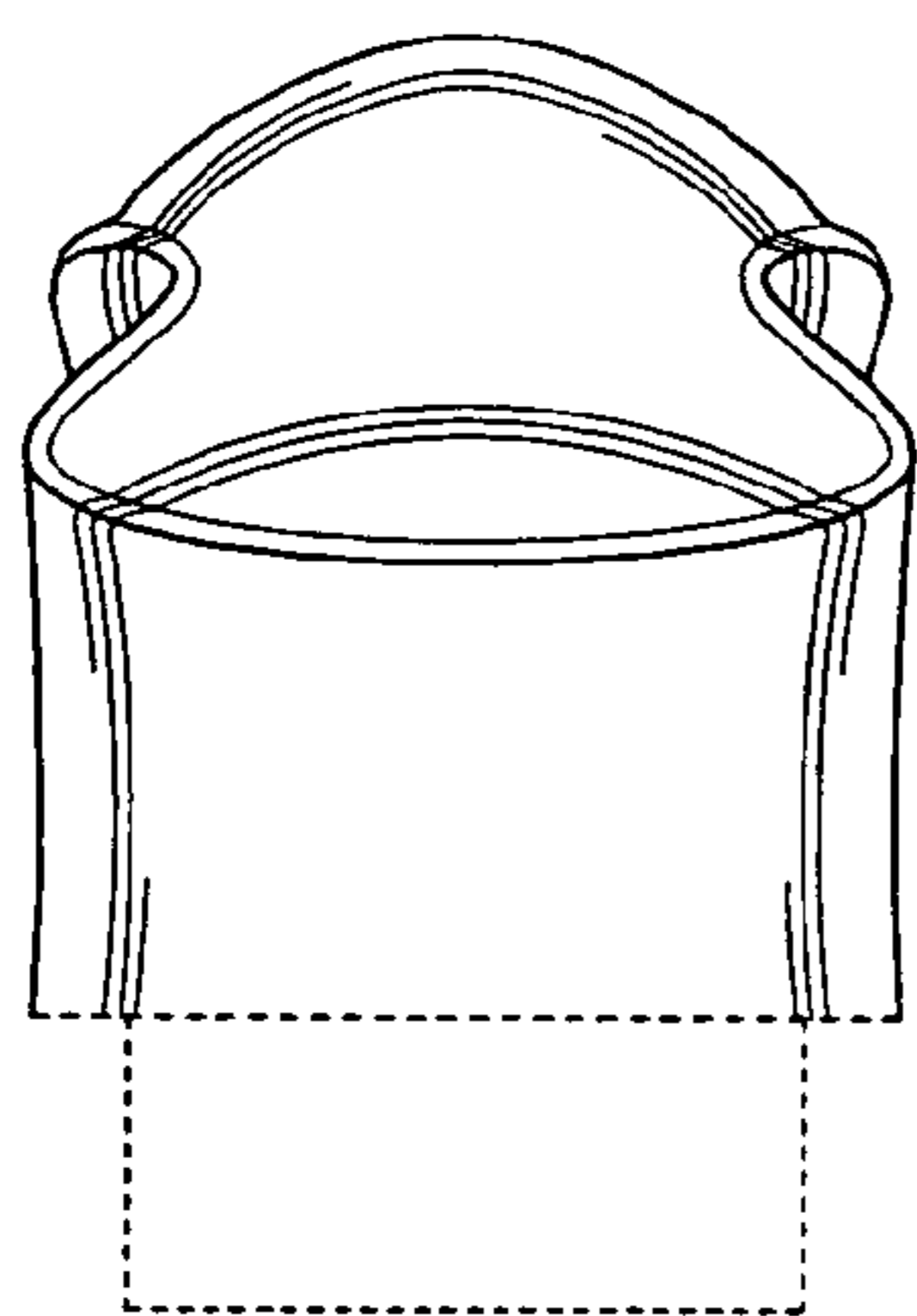


FIG. 4

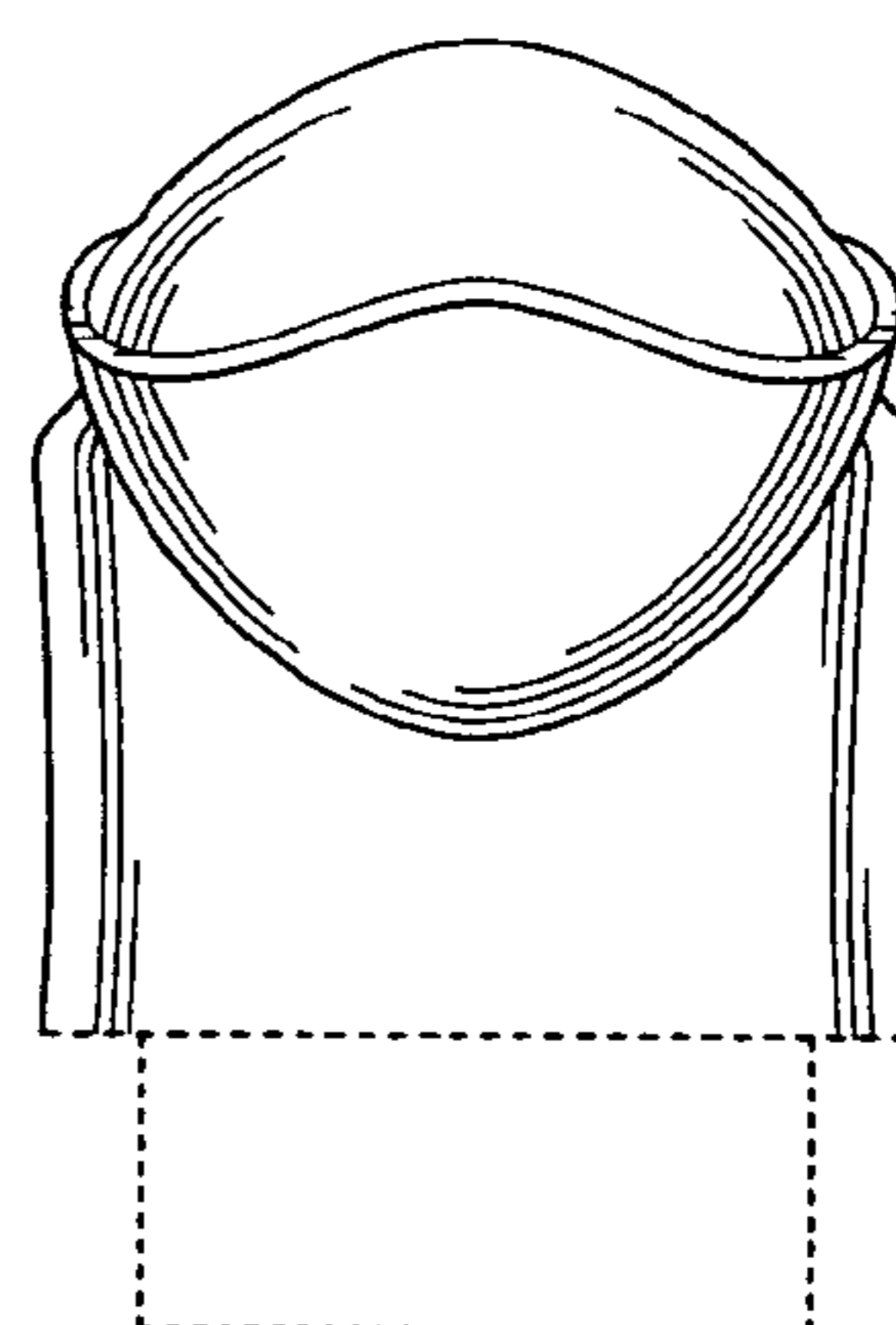


FIG. 5

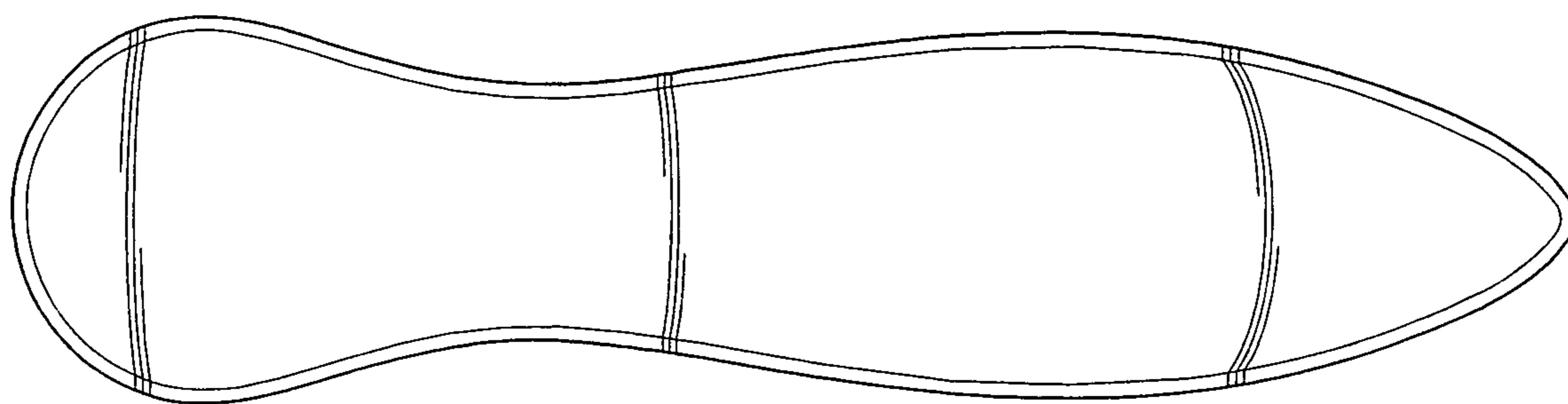


FIG. 6

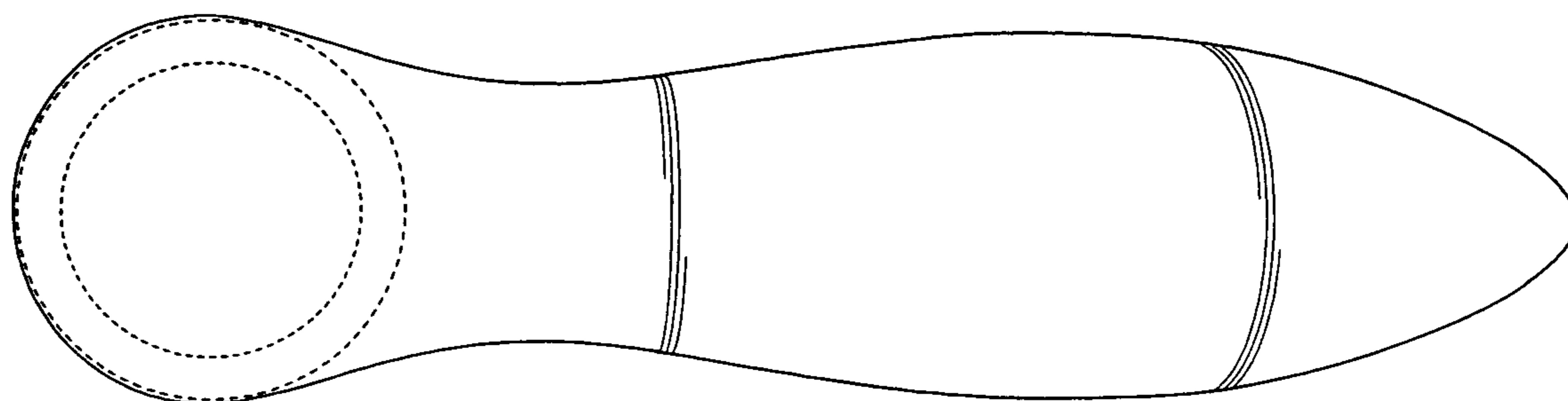


FIG. 7