



US00D594726S

(12) **United States Design Patent**  
**Arredondo**

(10) **Patent No.:** **US D594,726 S**  
(45) **Date of Patent:** **\*\* Jun. 23, 2009**

(54) **GUIDE LINE CLAMP**

(76) Inventor: **Paul Arredondo**, 1704 York Dr., Vista,  
CA (US) 92084

(\*\*) Term: **14 Years**

(21) Appl. No.: **29/307,848**

(22) Filed: **May 14, 2008**

(51) **LOC (9) Cl.** ..... **08-05**

(52) **U.S. Cl.** ..... **D8/72**

(58) **Field of Classification Search** ..... D8/71-74,  
D8/394, 106, 51, 52, 54, 395; 81/302, 427;  
D13/120; D6/326, 328; 24/500, 508, 509;  
269/237, 218; 439/504; 248/313

See application file for complete search history.

(56) **References Cited**

**U.S. PATENT DOCUMENTS**

|           |     |         |                |         |
|-----------|-----|---------|----------------|---------|
| 2,261,503 | A   | 11/1941 | Morris         |         |
| 2,665,487 | A   | 1/1954  | Mastrella      |         |
| 3,149,390 | A * | 9/1964  | McCoy          | D8/72   |
| 3,205,582 | A   | 9/1965  | Andrews        |         |
| 3,540,106 | A * | 11/1970 | Goldman        | D7/54   |
| 3,555,688 | A   | 1/1971  | Smathers       |         |
| 4,084,321 | A   | 4/1978  | Huston         |         |
| D302,379  | S * | 7/1989  | Strand         | D8/72   |
| 4,937,946 | A   | 7/1990  | Steinhoff      |         |
| 4,979,703 | A * | 12/1990 | Fleming        | D8/394  |
| 5,009,015 | A   | 4/1991  | Redl           |         |
| 5,479,713 | A   | 1/1996  | Wood           |         |
| D372,178  | S * | 7/1996  | Gossett et al. | D8/52   |
| D394,669  | S * | 5/1998  | Becker et al.  | D8/395  |
| D399,729  | S * | 10/1998 | Chen           | D8/395  |
| 6,036,133 | A   | 3/2000  | Milligan       |         |
| 6,073,897 | A * | 6/2000  | Warren et al.  | 248/313 |
| D433,318  | S * | 11/2000 | Chang          | D8/395  |

|           |     |        |           |       |
|-----------|-----|--------|-----------|-------|
| D442,047  | S * | 5/2001 | Hicks     | D8/72 |
| D457,409  | S * | 5/2002 | Noniewicz | D8/72 |
| D479,787  | S * | 9/2003 | Degen     | D8/72 |
| 7,263,779 | B1  | 9/2007 | Wells     |       |
| D571,179  | S * | 6/2008 | Ahlgren   | D8/72 |

\* cited by examiner

*Primary Examiner*—T. Chase Nelson

*Assistant Examiner*—David G Muller

(74) *Attorney, Agent, or Firm*—Palomar Patent; Calif Tervo

(57) **CLAIM**

The ornamental design for a guide line clamp, as shown and described.

**DESCRIPTION**

FIG. 1 is a front, bottom, right side perspective view of a first embodiment of a guide line clamp showing my new design;

FIG. 2 is a right side elevation view thereof; the left side elevation view being a mirror image;

FIG. 3 is a front elevation view thereof;

FIG. 4 is a rear elevation view thereof;

FIG. 5 is a top plan view thereof; and

FIG. 6 is a bottom plan view thereof; and

FIG. 7 is a front, bottom, right side perspective view of a second embodiment of my guide line clamp;

FIG. 8 is a right side elevation view thereof; the left side elevation view being a mirror image;

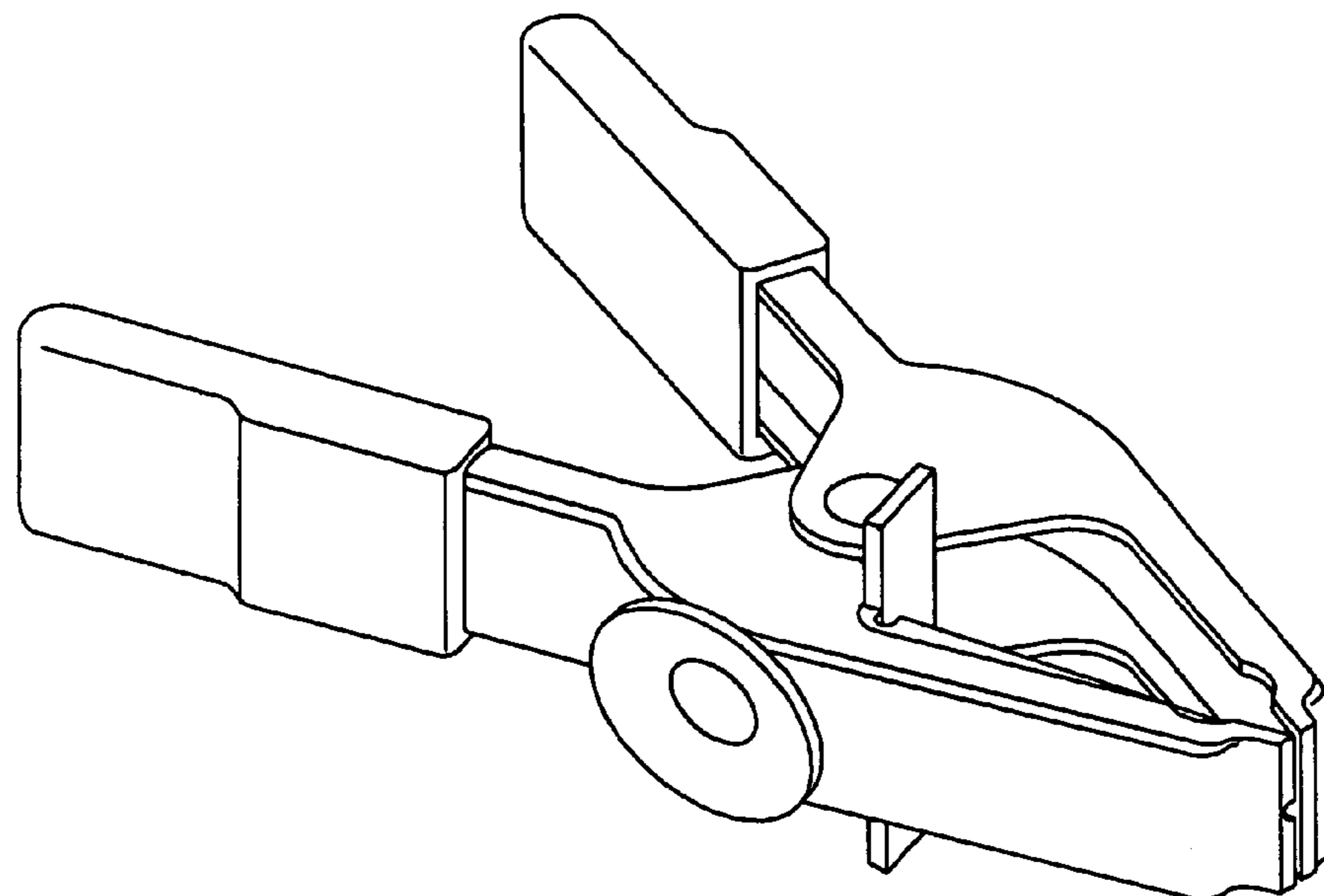
FIG. 9 is a front elevation view thereof;

FIG. 10 is a rear elevation view thereof;

FIG. 11 is a top plan view thereof; and,

FIG. 12 is a bottom plan view thereof.

**1 Claim, 3 Drawing Sheets**



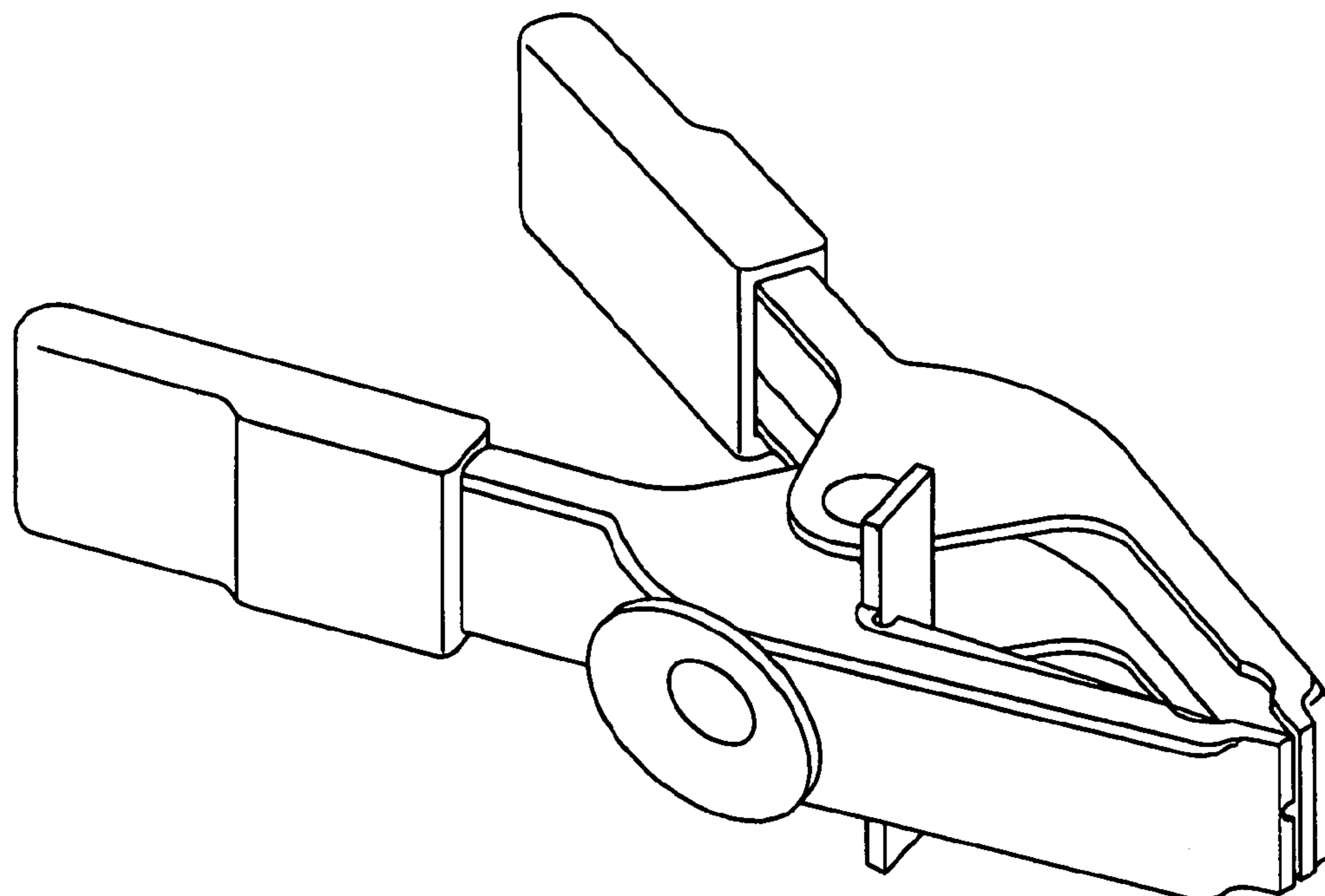


FIG. 1

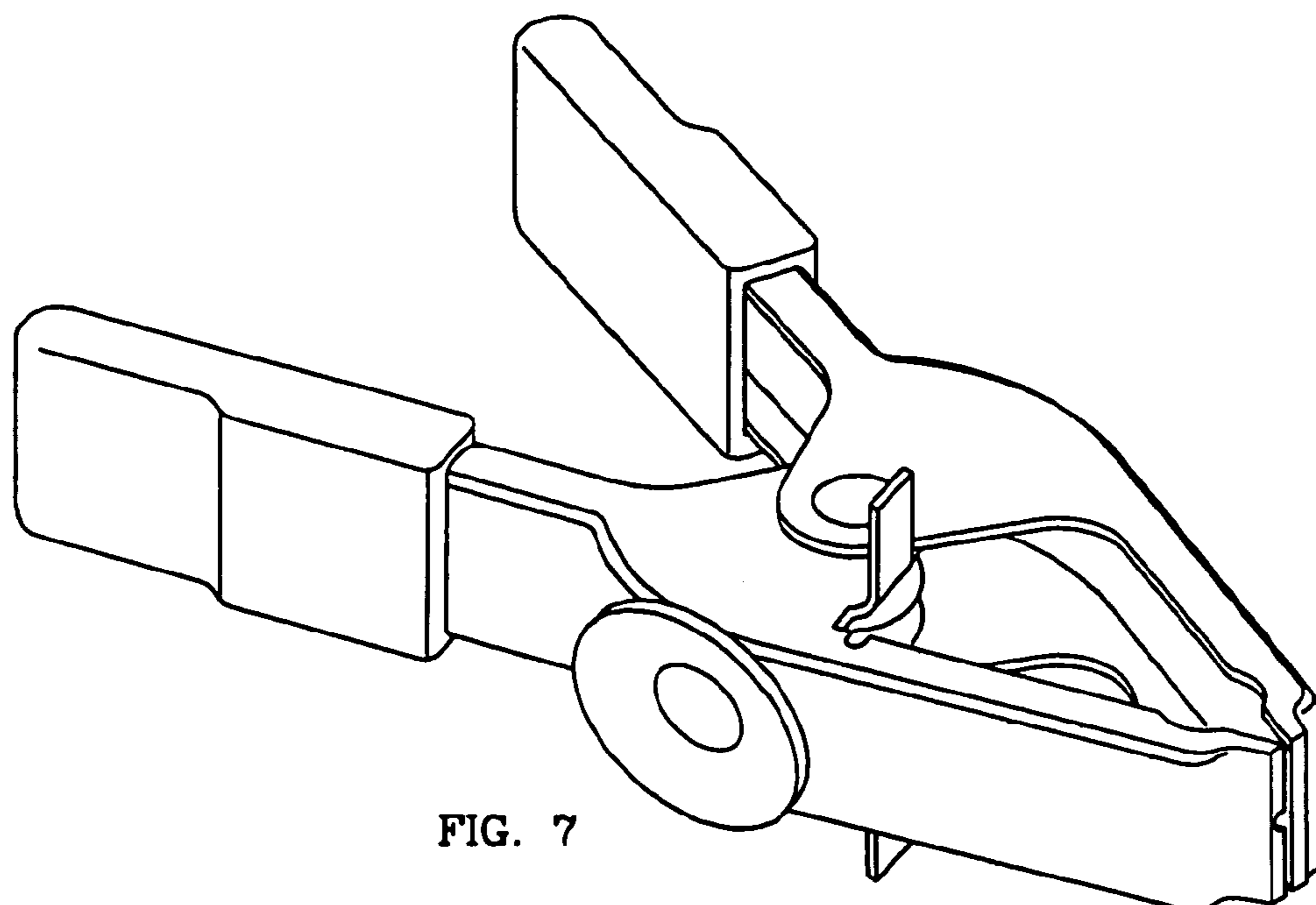


FIG. 7

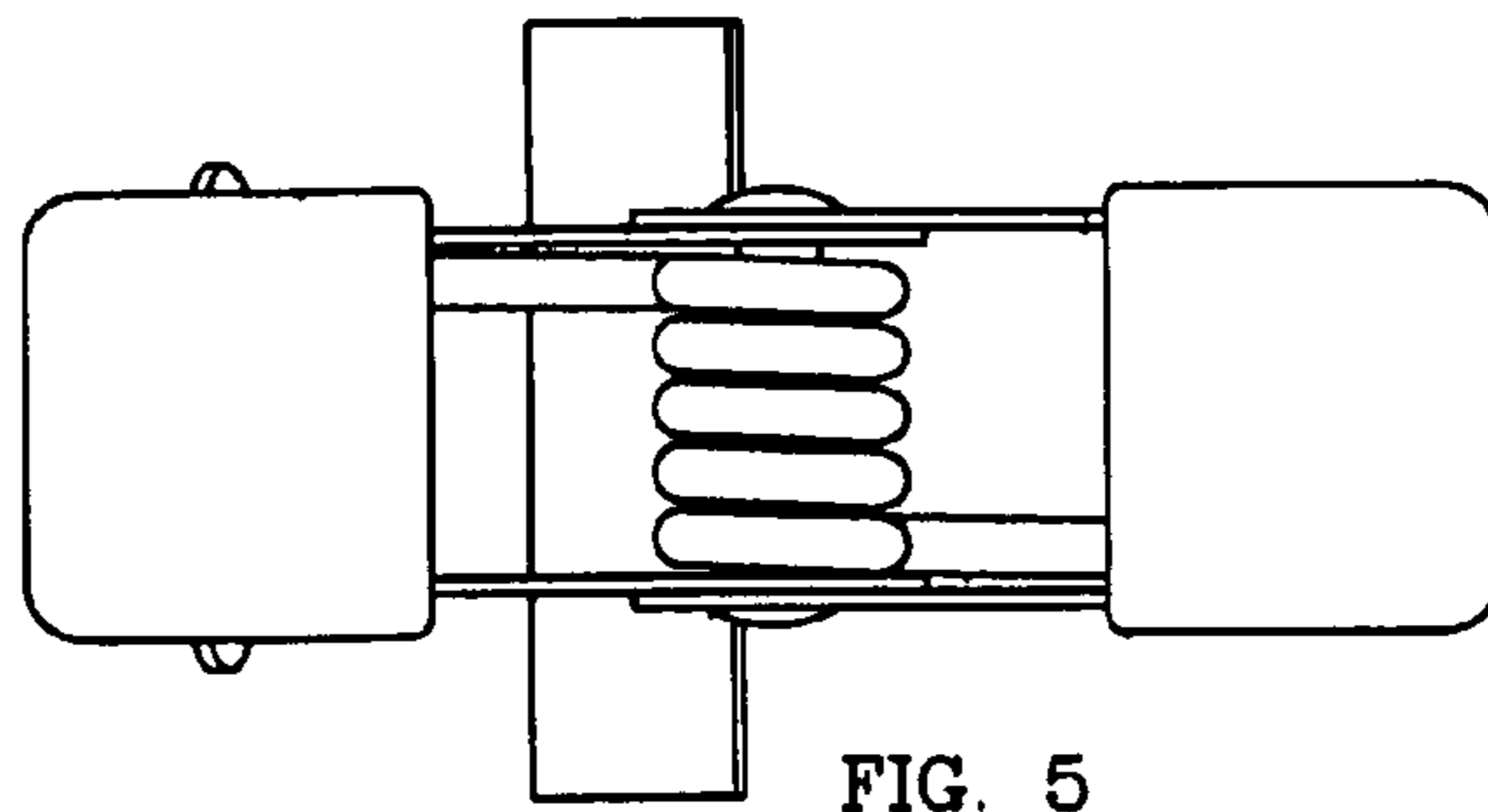


FIG. 5

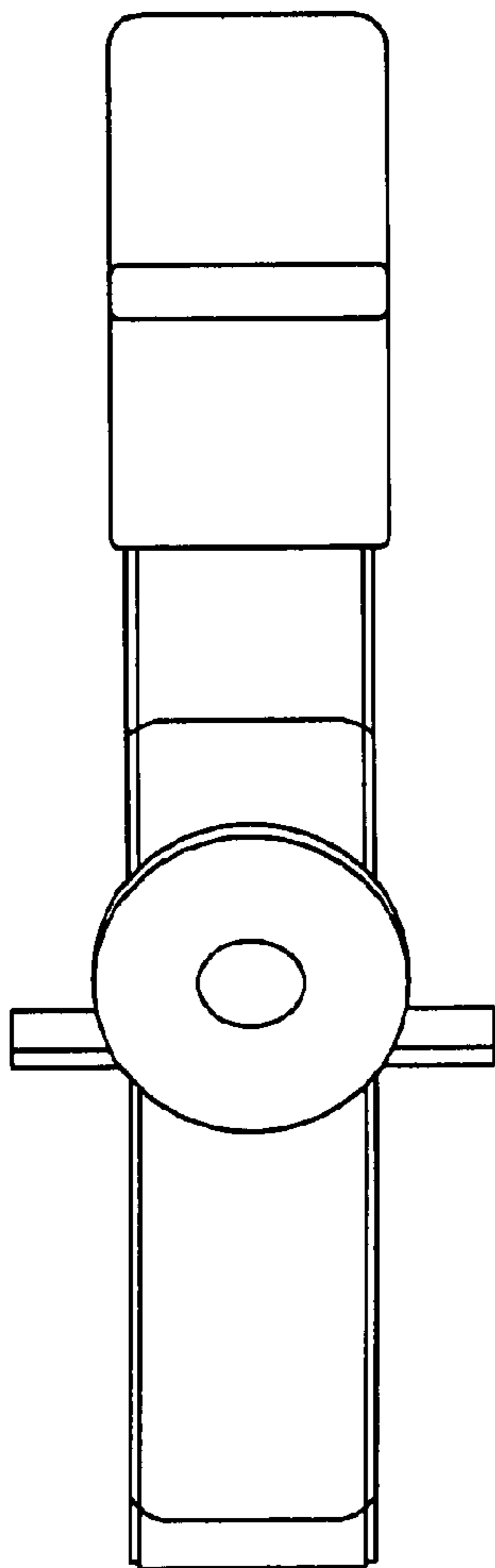


FIG. 3

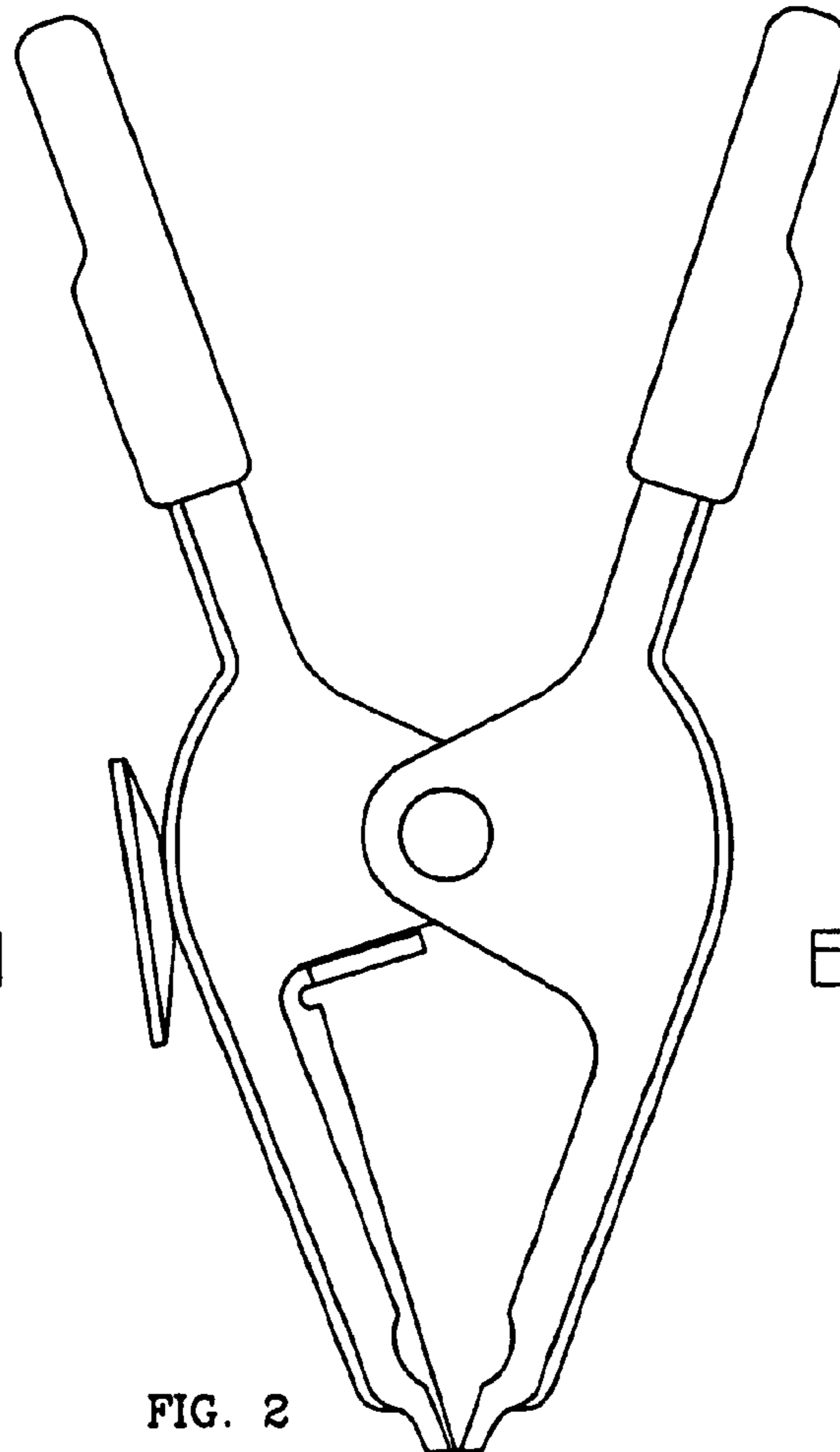


FIG. 2

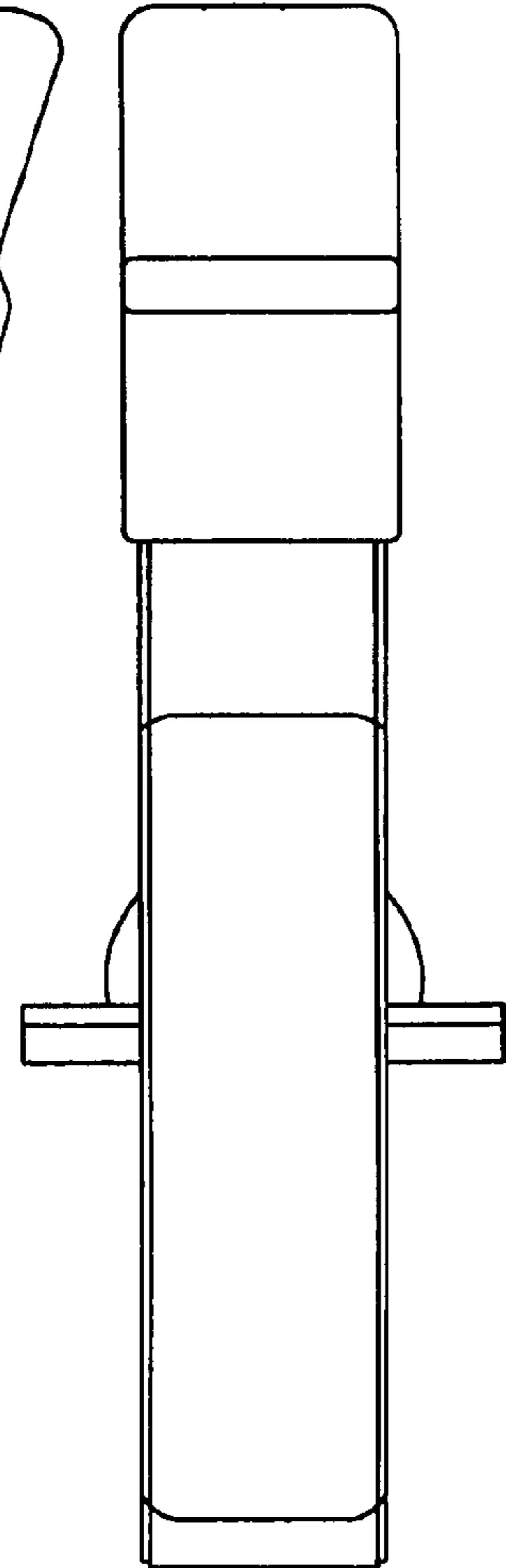


FIG. 4

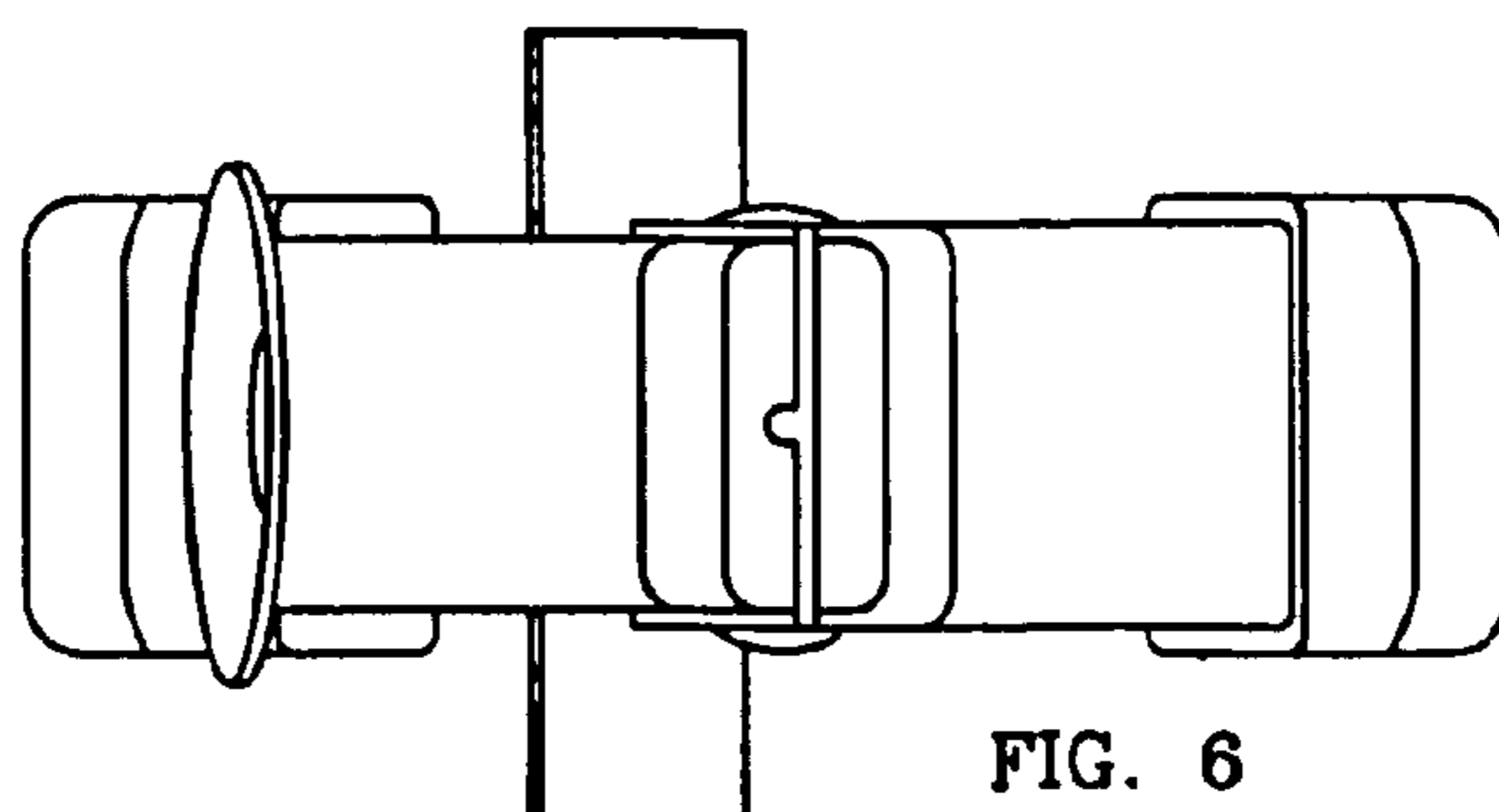


FIG. 6

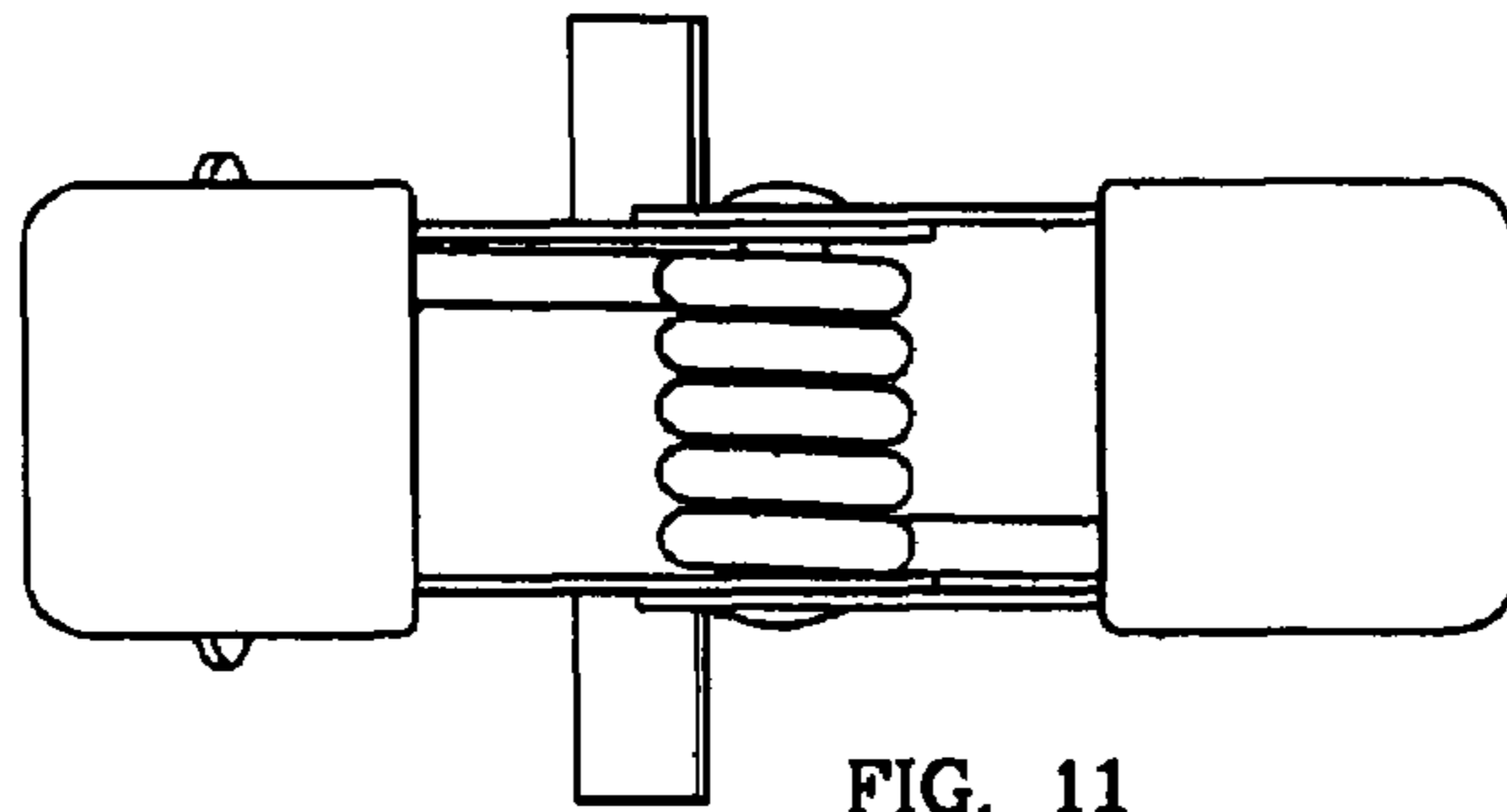


FIG. 11

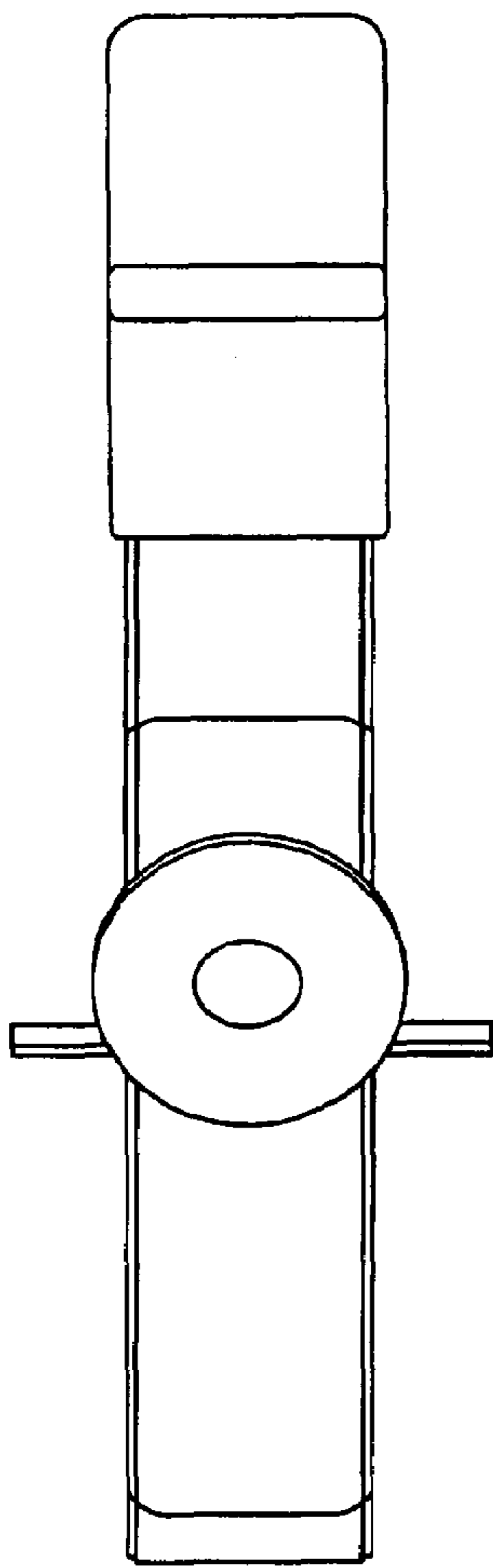


FIG. 9

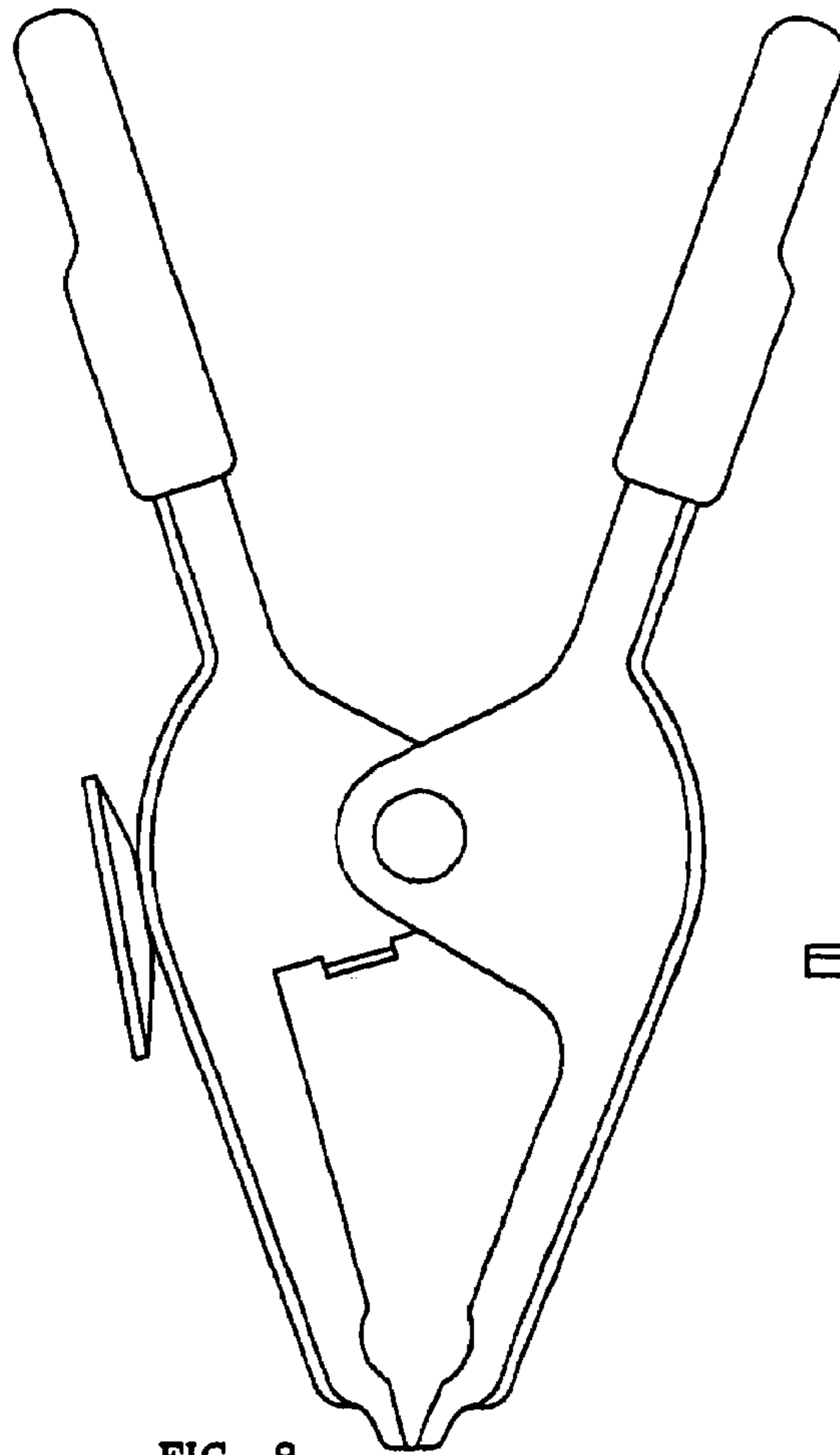


FIG. 8

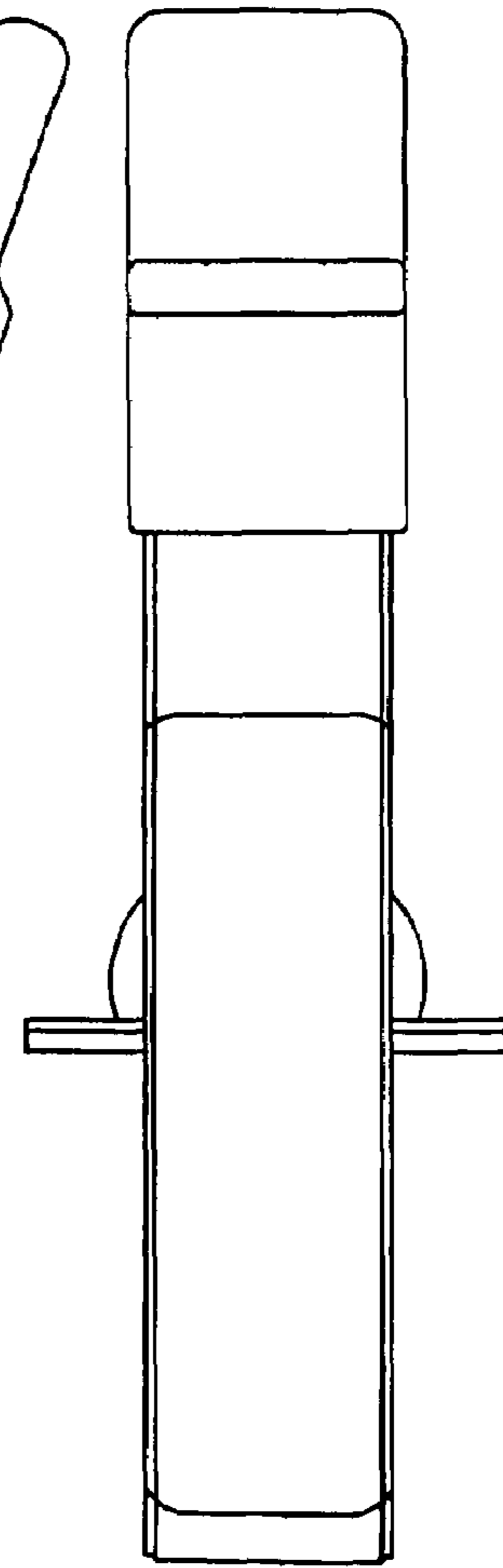


FIG. 10

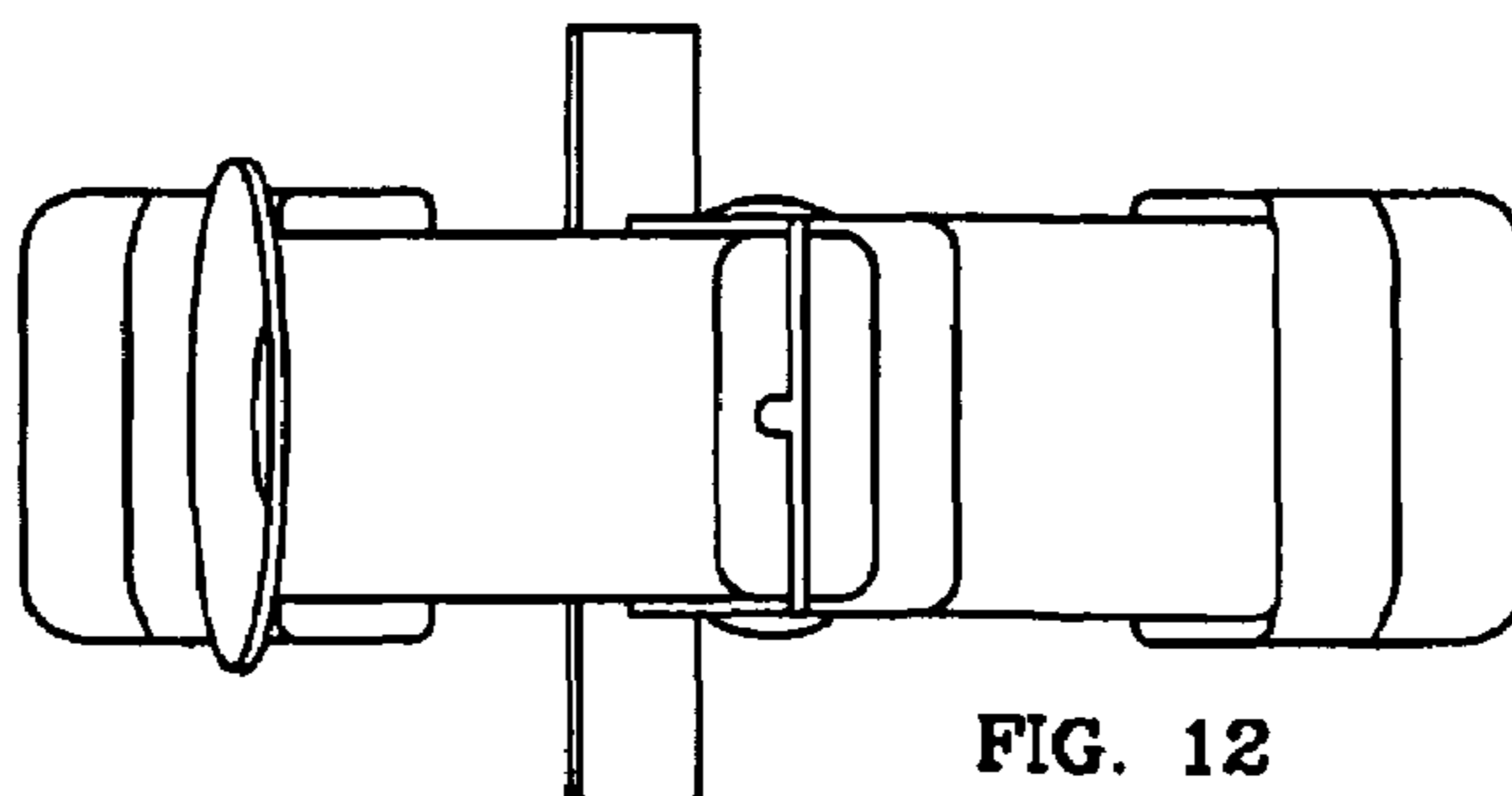


FIG. 12