

US00D594725S

(12) **United States Design Patent**
Robson

(10) **Patent No.:** **US D594,725 S**
(45) **Date of Patent:** **** Jun. 23, 2009**

(54) **DRILL**
(75) Inventor: **Nigel Robson**, Lowfell Gateshead (GB)
(73) Assignee: **Black & Decker Inc.**, Newark, DE (US)
(**) Term: **14 Years**
(21) Appl. No.: **29/250,353**
(22) Filed: **Nov. 10, 2006**

(30) **Foreign Application Priority Data**
May 22, 2006 (EM) 000532411
(51) **LOC (9) Cl.** **08-01**
(52) **U.S. Cl.** **D8/68**
(58) **Field of Classification Search** D8/14.1,
D8/61-70; 81/57.11, 429, 454-456, 469,
81/489; 173/13, 104, 114, 168-171, 178,
173/201, 211, 213, 217; 408/20, 124, 125,
408/234, 241 R; 451/358; 310/50; 227/8,
227/113, 114, 120, 130, 136, 142
See application file for complete search history.

(56) **References Cited**
U.S. PATENT DOCUMENTS
D343,105 S 1/1994 Shibatta
D353,526 S 12/1994 Hoshino
D400,415 S * 11/1998 Zurwelle D8/68
D400,416 S * 11/1998 Zurwelle D8/68
D402,872 S * 12/1998 Clowers et al. D8/68
D403,565 S 1/1999 Chung
D406,741 S * 3/1999 Zurwelle D8/68
D426,125 S * 6/2000 Hayakawa et al. D8/68
D439,123 S * 3/2001 Sakai et al. D8/68
D441,268 S 5/2001 Heun
6,240,816 B1 * 6/2001 Riedl et al. 81/429
D466,779 S * 12/2002 Shibata et al. D8/68
D467,481 S * 12/2002 Watson D8/68
D471,419 S 3/2003 Chunn
D474,953 S 5/2003 Santarsiero
D482,254 S * 11/2003 Tsuzuki et al. D8/68
D486,049 S * 2/2004 Sugiura et al. D8/68
6,688,407 B2 2/2004 Etter

6,729,414 B2 * 5/2004 Cooper et al. 173/217
D490,677 S 6/2004 Chung
D492,565 S * 7/2004 Stirm D8/68
D496,573 S 9/2004 Cooper
D496,574 S 9/2004 Sakai
D498,400 S 11/2004 Wu
D502,376 S 3/2005 Andriolo
D507,950 S 8/2005 Aglassinger
D507,952 S 8/2005 Wu
D521,338 S 5/2006 Wai
D531,874 S * 11/2006 Wu D8/68
D533,419 S * 12/2006 Aglassinger D8/68
D533,420 S * 12/2006 Waldron D8/68
D534,405 S * 1/2007 Concari D8/68
D540,135 S * 4/2007 Okuda D8/68
D563,185 S * 3/2008 Concari D8/68
D567,614 S * 4/2008 Okuda D8/68
7,398,834 B2 * 7/2008 Jung et al. 173/4
7,401,663 B2 * 7/2008 Craven et al. 173/217

FOREIGN PATENT DOCUMENTS

DE M9007157 10/1990

(Continued)

Primary Examiner—Antoine D Davis
(74) *Attorney, Agent, or Firm*—Bruce S. Shapiro; John Yun;
Wesley W. Muller

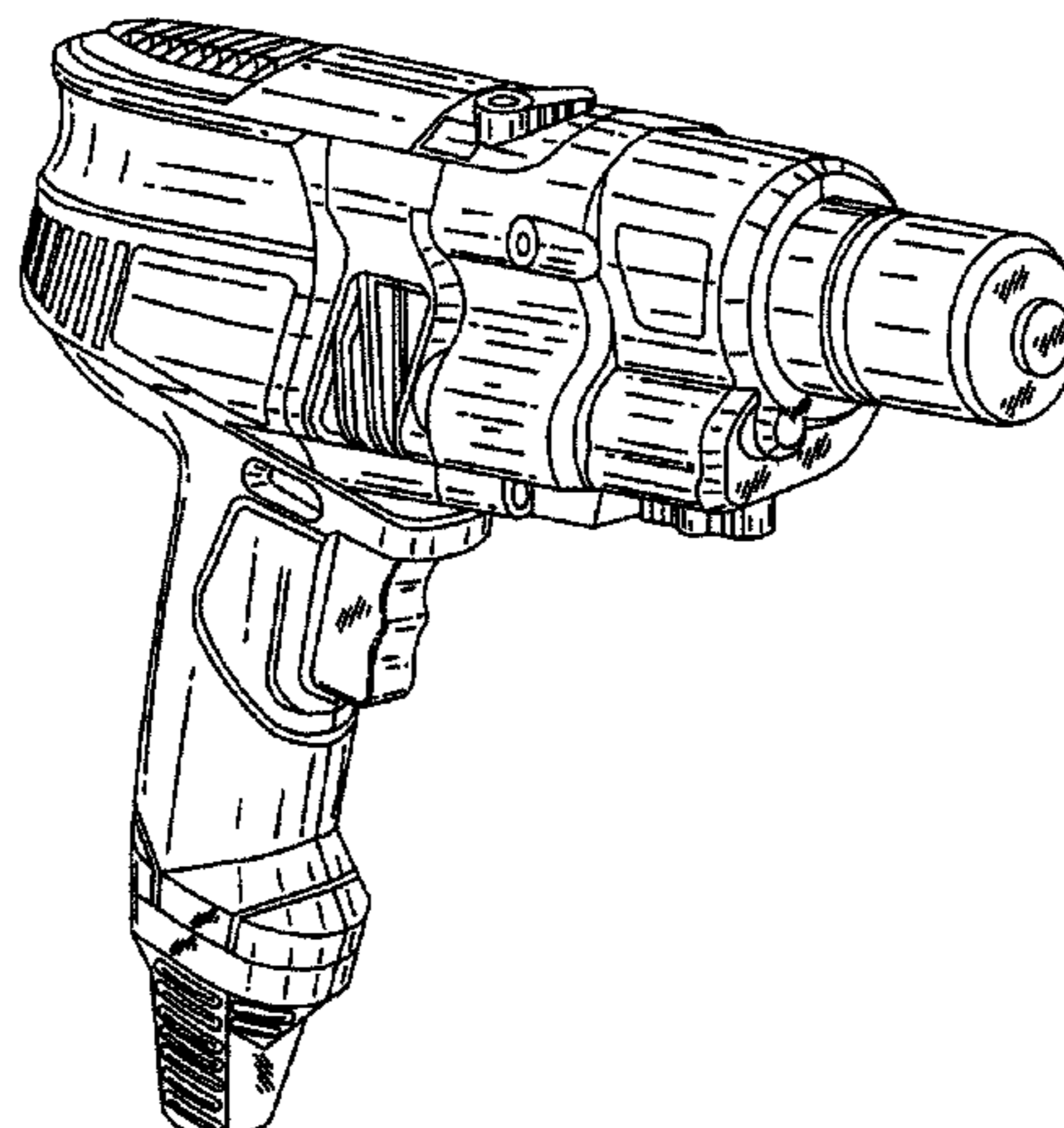
(57) **CLAIM**

The ornamental design for a drill, as shown and described.

DESCRIPTION

FIG. 1 is a right/front perspective view of a drill.
FIG. 2 is a front view thereof.
FIG. 3 is a rear view thereof.
FIG. 4 is a right side view thereof.
FIG. 5 is a left side view thereof.
FIG. 6 is a top view thereof; and,
FIG. 7 is a bottom view thereof.

1 Claim, 5 Drawing Sheets



US D594,725 S

Page 2

FOREIGN PATENT DOCUMENTS					
			DE	DM043755	4/1998
			DE	MR49901747	10/1999
DE	M9104263	6/1991	DE	MR40202507	3/2002
DE	M9107938	11/1991	DE	MR40209433	11/2002
DE	M9206896	5/1993	DE	DM063920	6/2003
DE	M9604464	10/1996	EC	CD32693-0003	11/2003
DE	M9702174	7/1997			

* cited by examiner

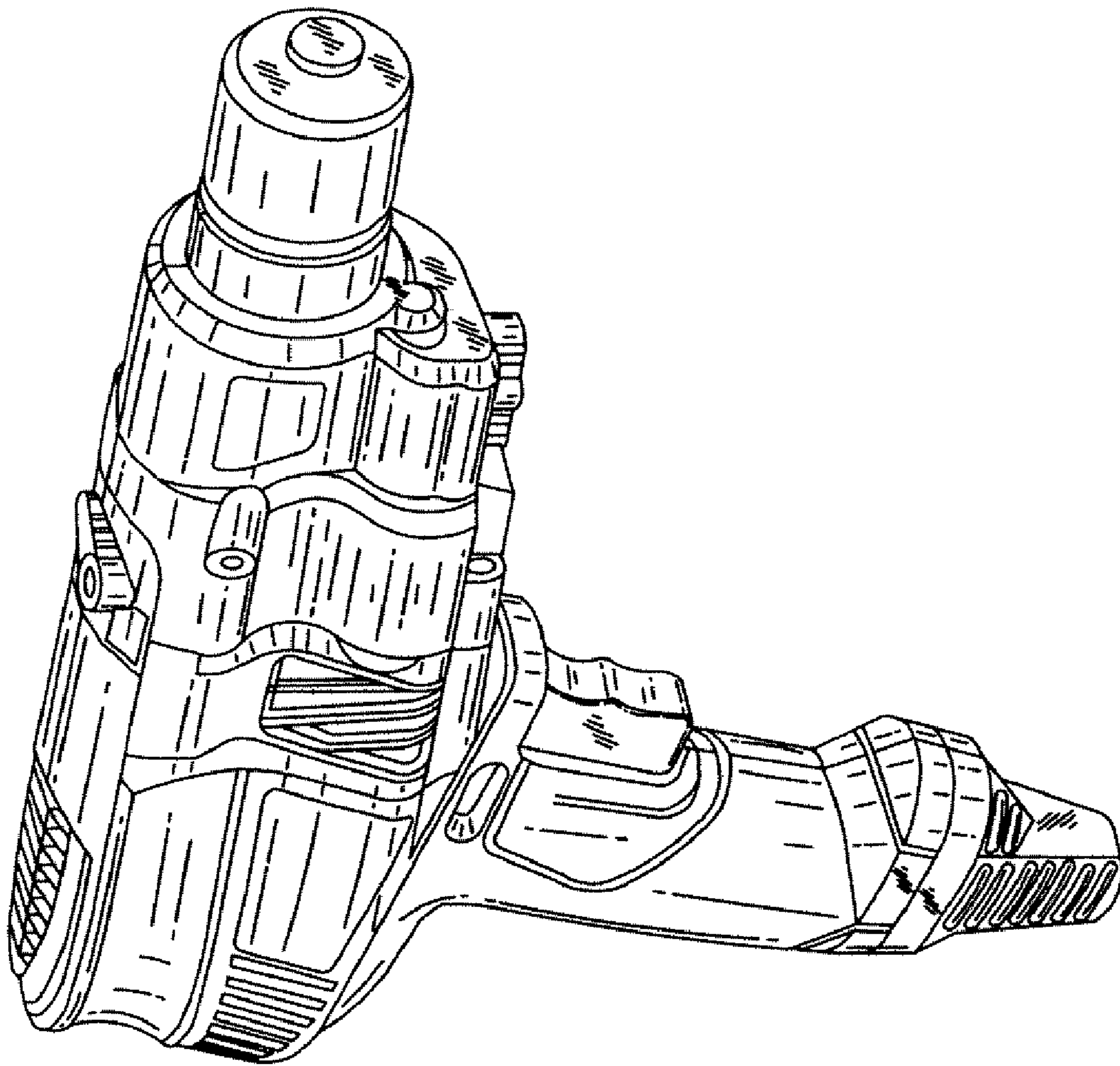


FIG.1

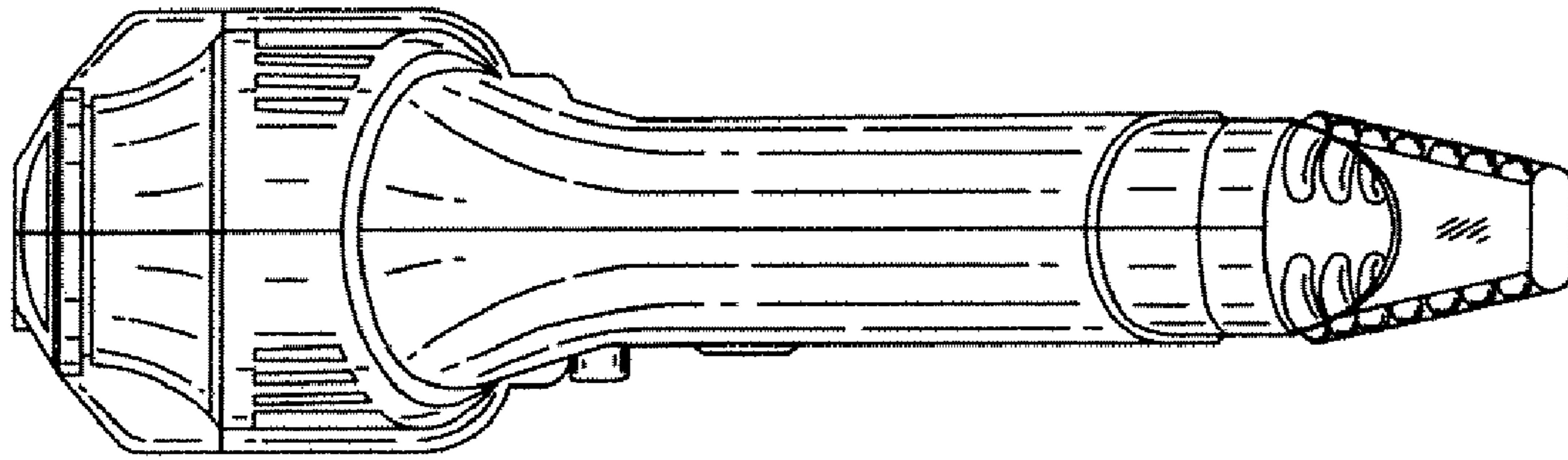


FIG.3

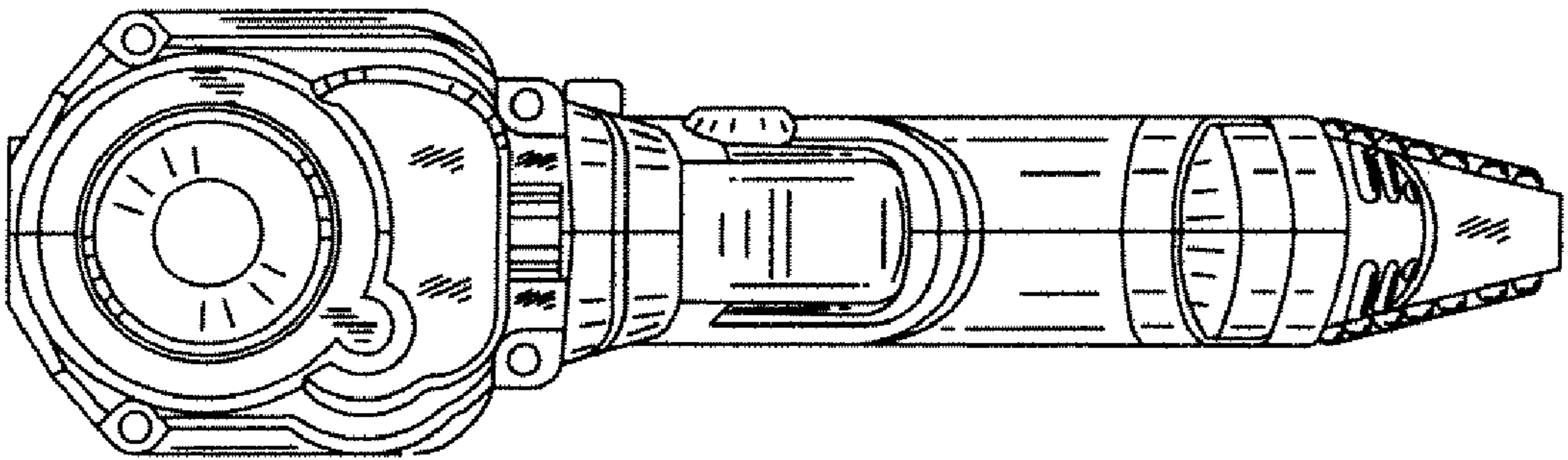


FIG.2

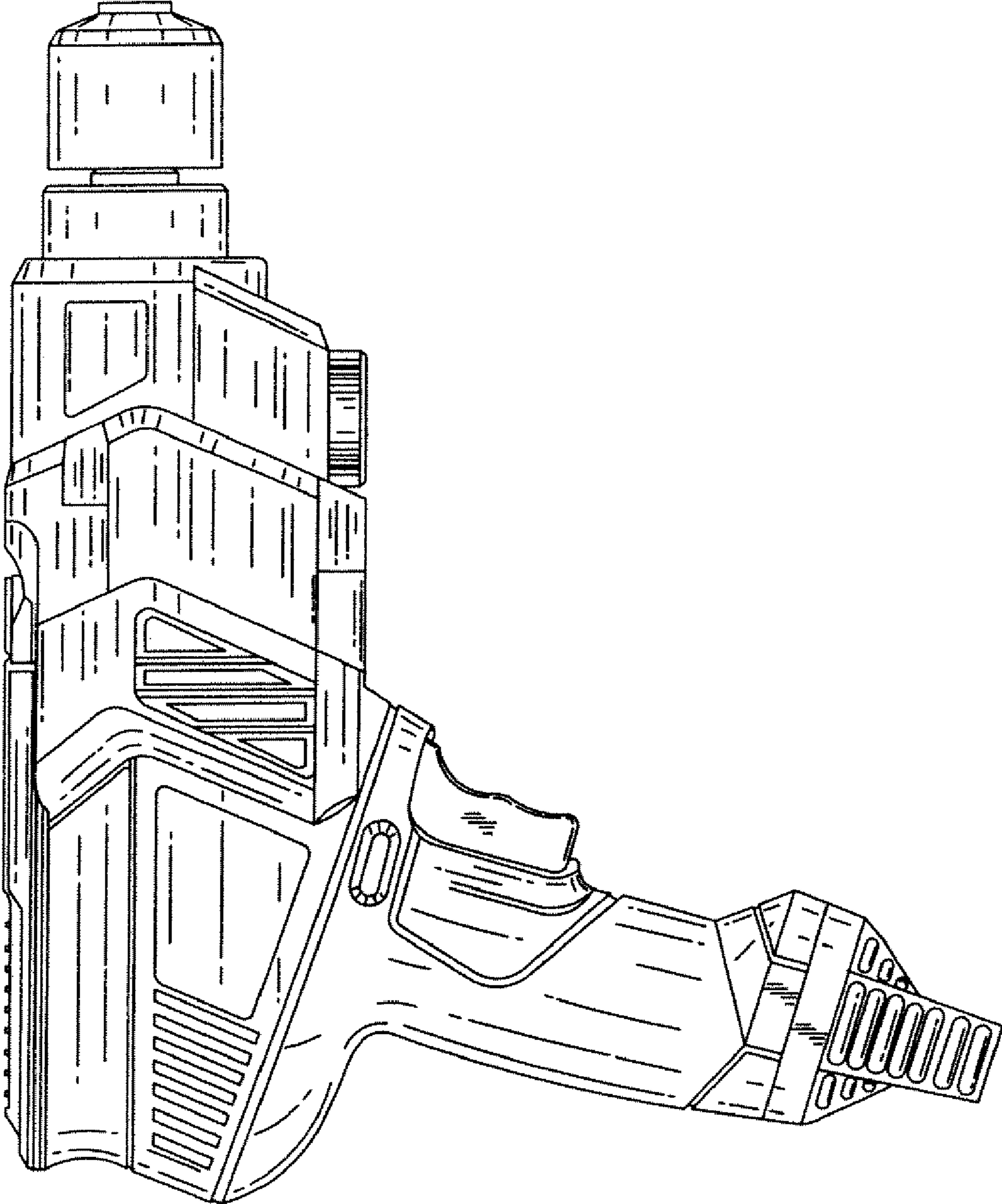


FIG.4

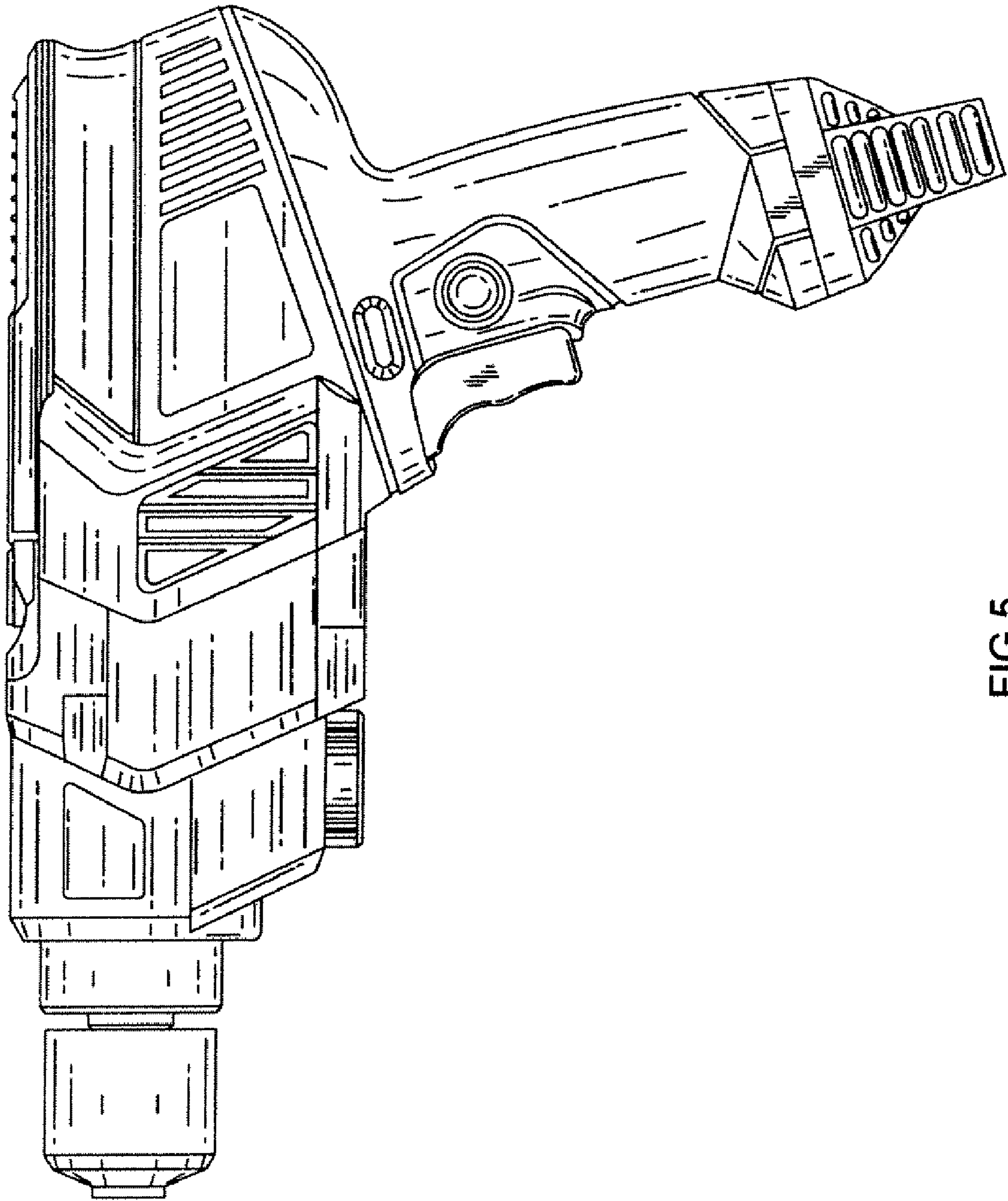


FIG.5

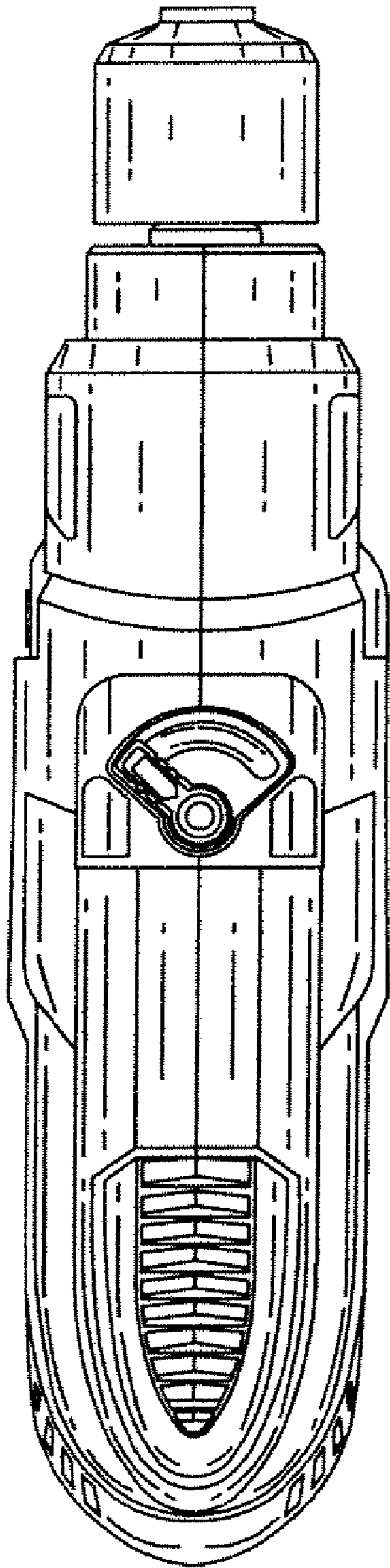


FIG. 6

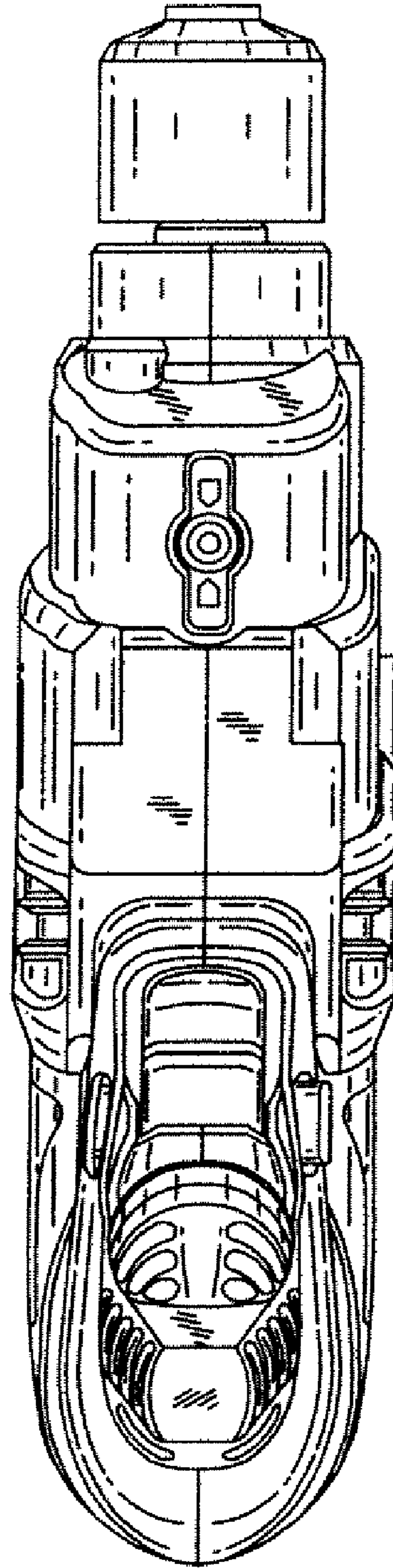


FIG. 7