

US00D594724S

(12) **United States Design Patent**
Ino

(10) **Patent No.:** **US D594,724 S**
(45) **Date of Patent:** **** Jun. 23, 2009**

(54) **PORTABLE ELECTRIC ROUND SAW**

(75) Inventor: **Tomoaki Ino**, Yokohama (JP)

(73) Assignee: **Panasonic Electric Works Co., Ltd.**,
Osaka (JP)

(**) Term: **14 Years**

(21) Appl. No.: **29/313,277**

(22) Filed: **Dec. 22, 2008**

(30) **Foreign Application Priority Data**

Jun. 20, 2008 (JP) 2008-015869

(51) **LOC (9) Cl.** **08-03**

(52) **U.S. Cl.** **D8/66**

(58) **Field of Classification Search** D8/69,
D8/68, 67, 66, 64, 61, 70; 83/698.41, 747,
83/166.3, 374, 373, 375, 376, 391, 377, 390,
83/388, 389; 125/13.01; 144/218

See application file for complete search history.

(56) **References Cited**

U.S. PATENT DOCUMENTS

- 4,982,501 A * 1/1991 Sauerwein et al. 30/376
- 5,010,651 A * 4/1991 Techter et al. 303/76
- D363,656 S * 10/1995 Gierke D8/66
- D411,425 S * 6/1999 Sugimoto et al. D8/66
- D427,872 S * 7/2000 Snider D8/66
- D427,874 S * 7/2000 Hayakawa et al. D8/66
- D428,318 S * 7/2000 Gallagher et al. D8/66
- D428,319 S * 7/2000 Gallagher D8/66
- D470,376 S * 2/2003 Chunn et al. D8/66
- 6,543,143 B2 * 4/2003 Moore et al. 30/391
- D474,952 S * 5/2003 Andriolo D8/66
- D499,001 S * 11/2004 Wu D8/66
- D502,073 S * 2/2005 Andriolo D8/66
- D503,878 S * 4/2005 Tillman et al. D8/66
- 6,889,439 B2 * 5/2005 Koukal et al. 30/377
- D507,949 S * 8/2005 Chunn et al. D8/66
- D514,411 S * 2/2006 Yuen et al. D8/66
- D520,830 S * 5/2006 Suzuki et al. D8/66
- D521,336 S * 5/2006 Heun D8/66
- D522,833 S * 6/2006 Kokawa D8/66
- D527,599 S * 9/2006 Ng D8/66
- D531,473 S * 11/2006 Lopano D8/66
- D555,450 S * 11/2007 Van Wambeke D8/66

D559,644 S * 1/2008 Kuroyanagi et al. D8/66
2004/0045176 A1 * 3/2004 Koukal et al. 30/391

FOREIGN PATENT DOCUMENTS

JP	D1088823	10/2000
JP	D1161468	12/2002
JP	D1180507	7/2003
JP	D1187789	10/2003
JP	D1188954	11/2003
JP	D1315241	11/2007

* cited by examiner

Primary Examiner—Cathron C Brooks

Assistant Examiner—Austin Murphy

(74) *Attorney, Agent, or Firm*—Osha • Liang LLP

(57) **CLAIM**

The ornamental design for a portable electric round saw, as shown and described.

DESCRIPTION

FIG. 1 is a rear perspective view of a design for a portable electric round saw according to the invention.

FIG. 2 is a front perspective view of the design according to the invention.

FIG. 3 is a front view of the design according to the invention.

FIG. 4 is a left side view of the design according to the invention.

FIG. 5 is a right side view of the design according to the invention.

FIG. 6 is a top view of the design according to the invention.

FIG. 7 is a bottom view of the design according to the invention.

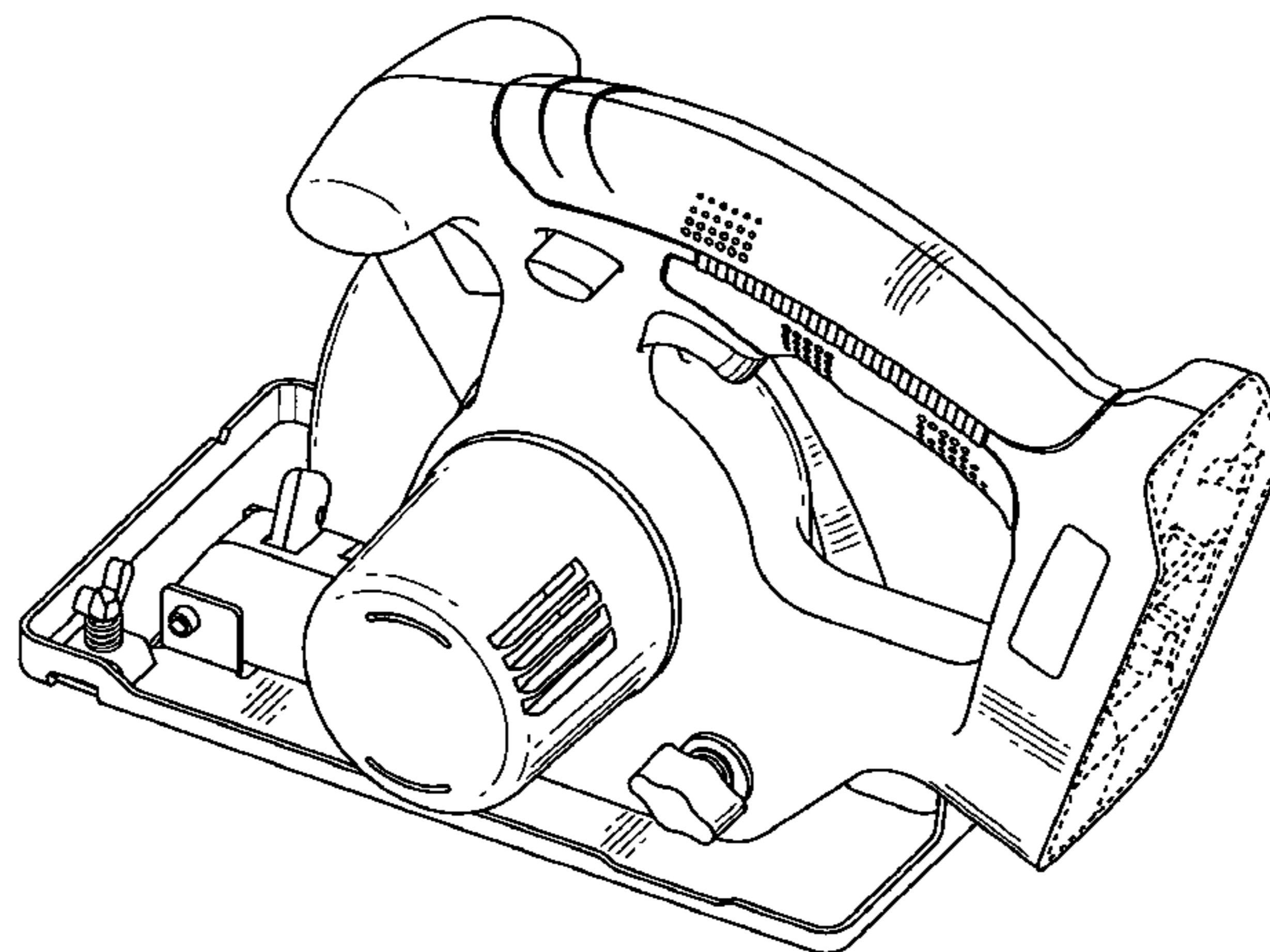
FIG. 8 is a rear view of the design according to the invention.

FIG. 9 is an end view along the line 9—9 in FIG. 5.

FIG. 10 is an end view along the line 10—10 in FIG. 3; and, FIG. 11 is a reference top front perspective view of the design according to the invention where a battery is attached.

The broken lines shown in FIGS. 1–8 and 11 form no part of the claimed design. The broken lines shown in FIGS. 9 and 10 represent boundary lines between claimed and unclaimed areas and form no part of the claimed design.

1 Claim, 9 Drawing Sheets



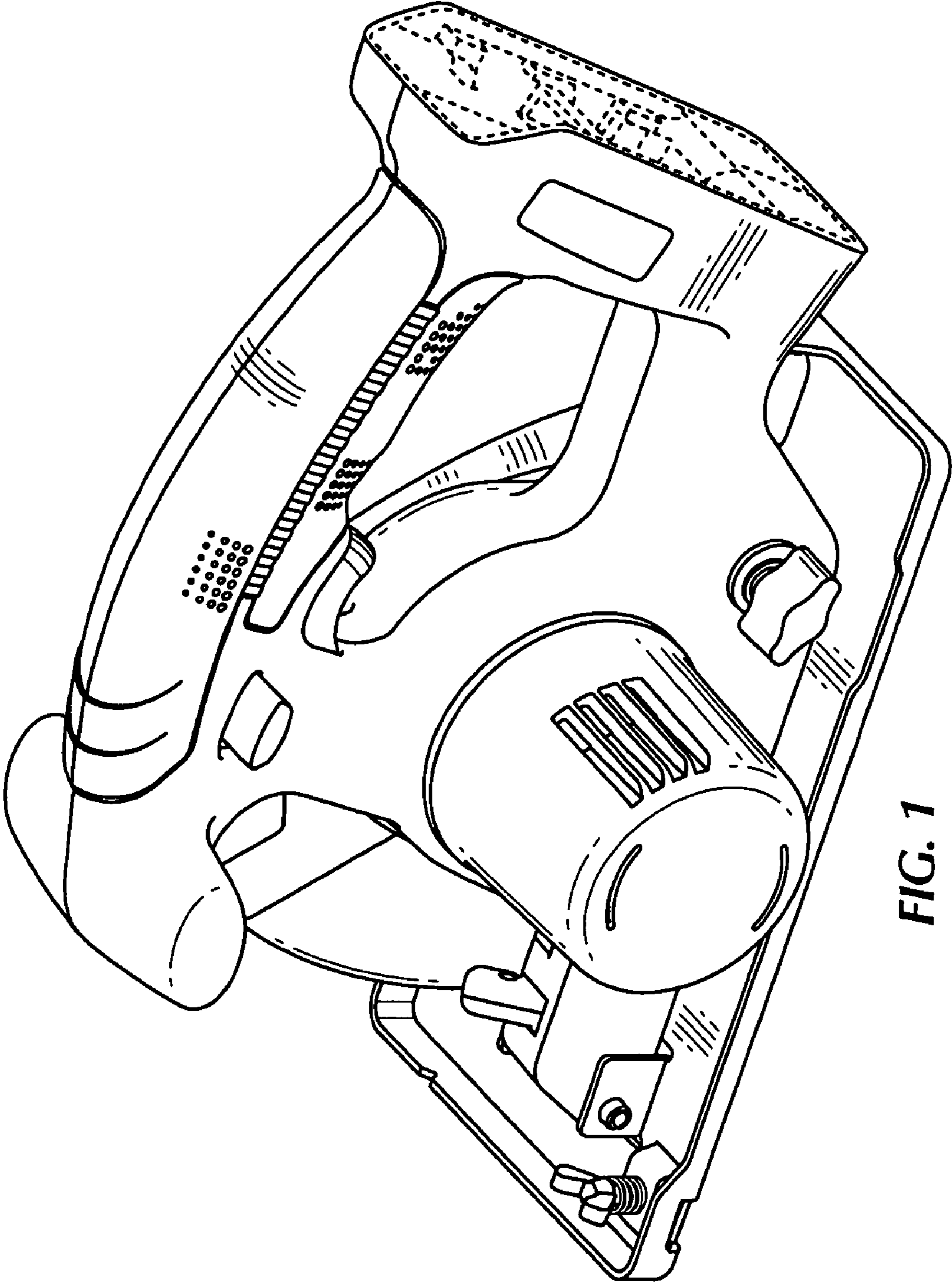


FIG. 1

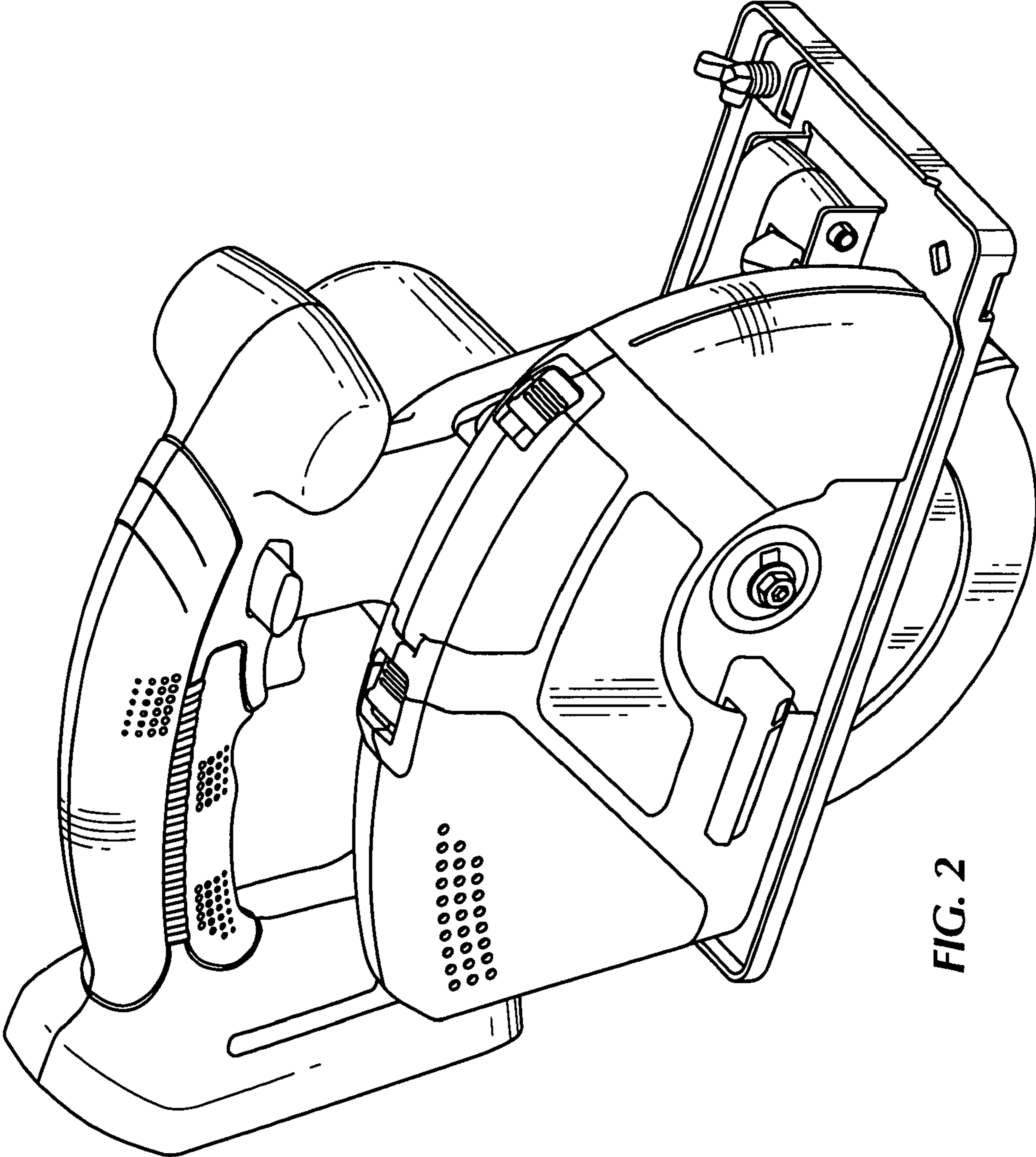


FIG. 2

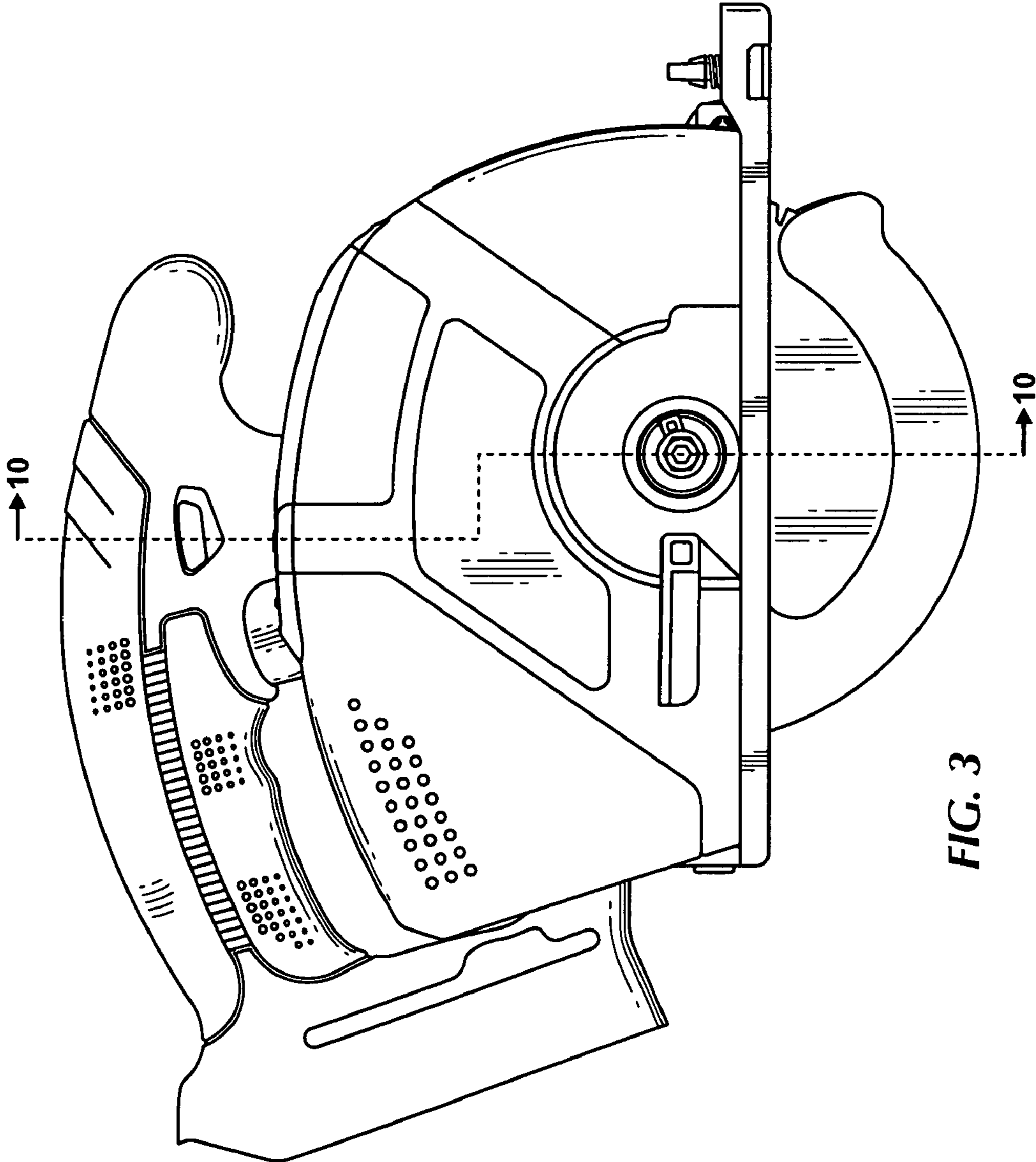


FIG. 3

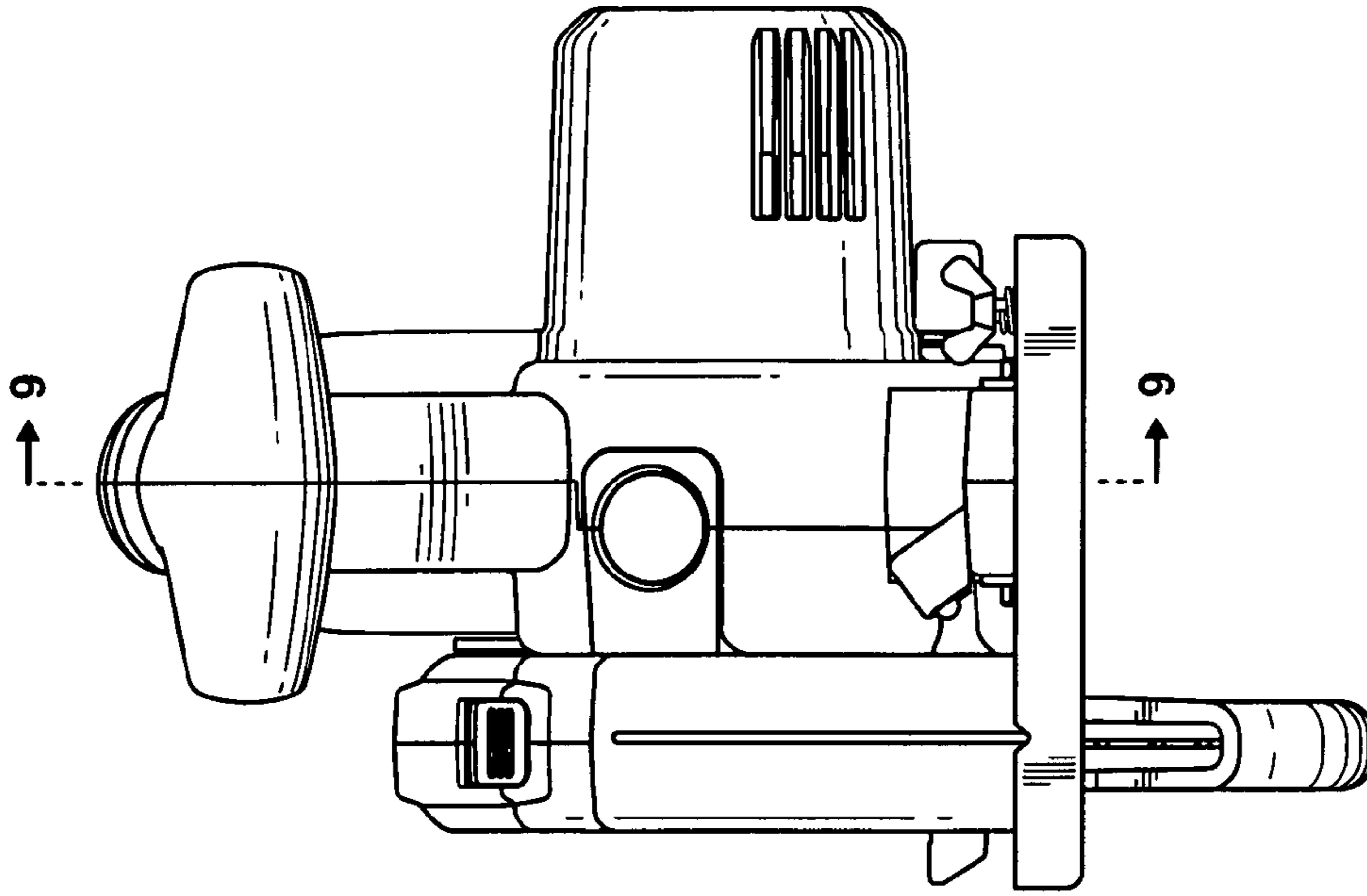


FIG. 5

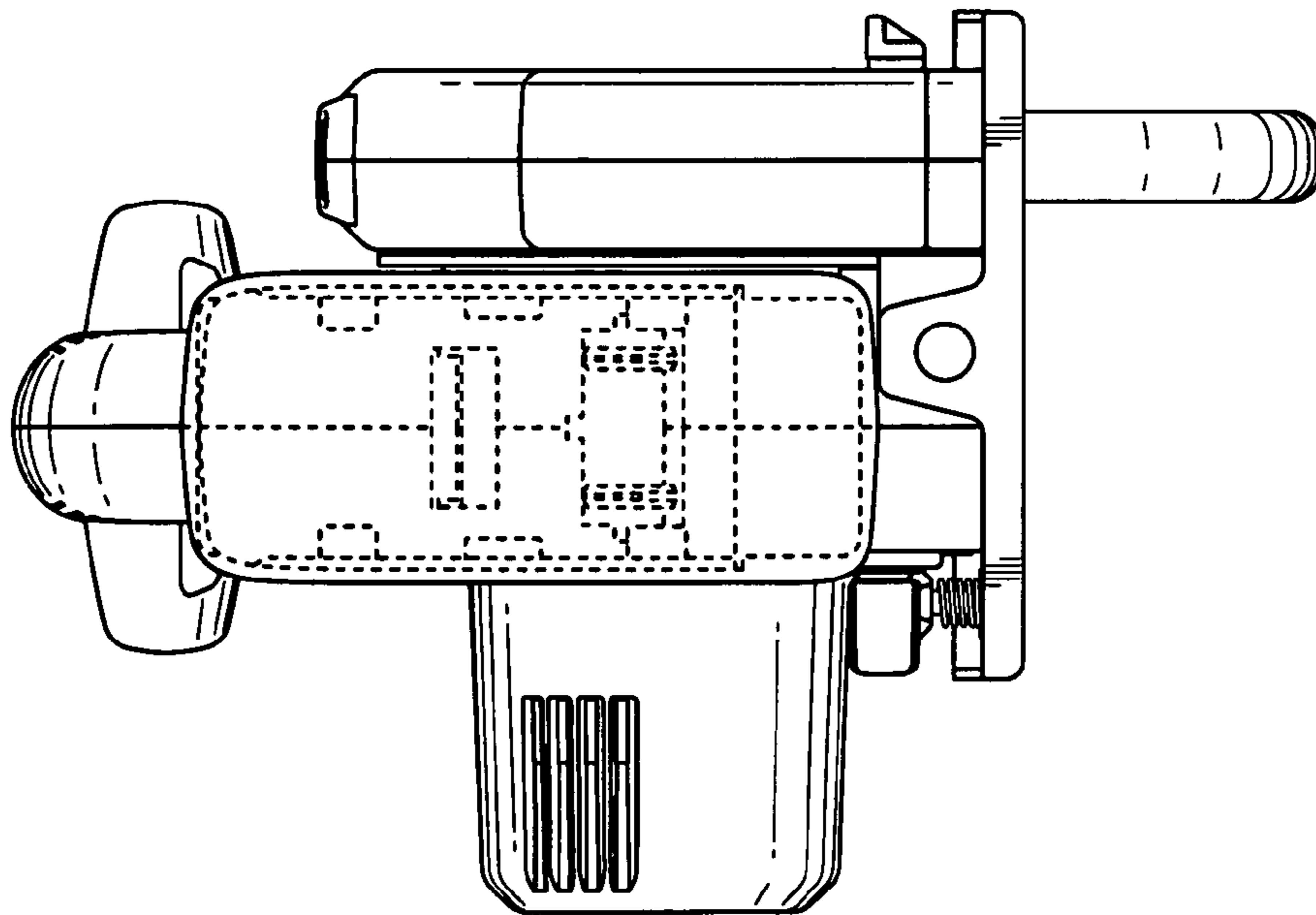


FIG. 4

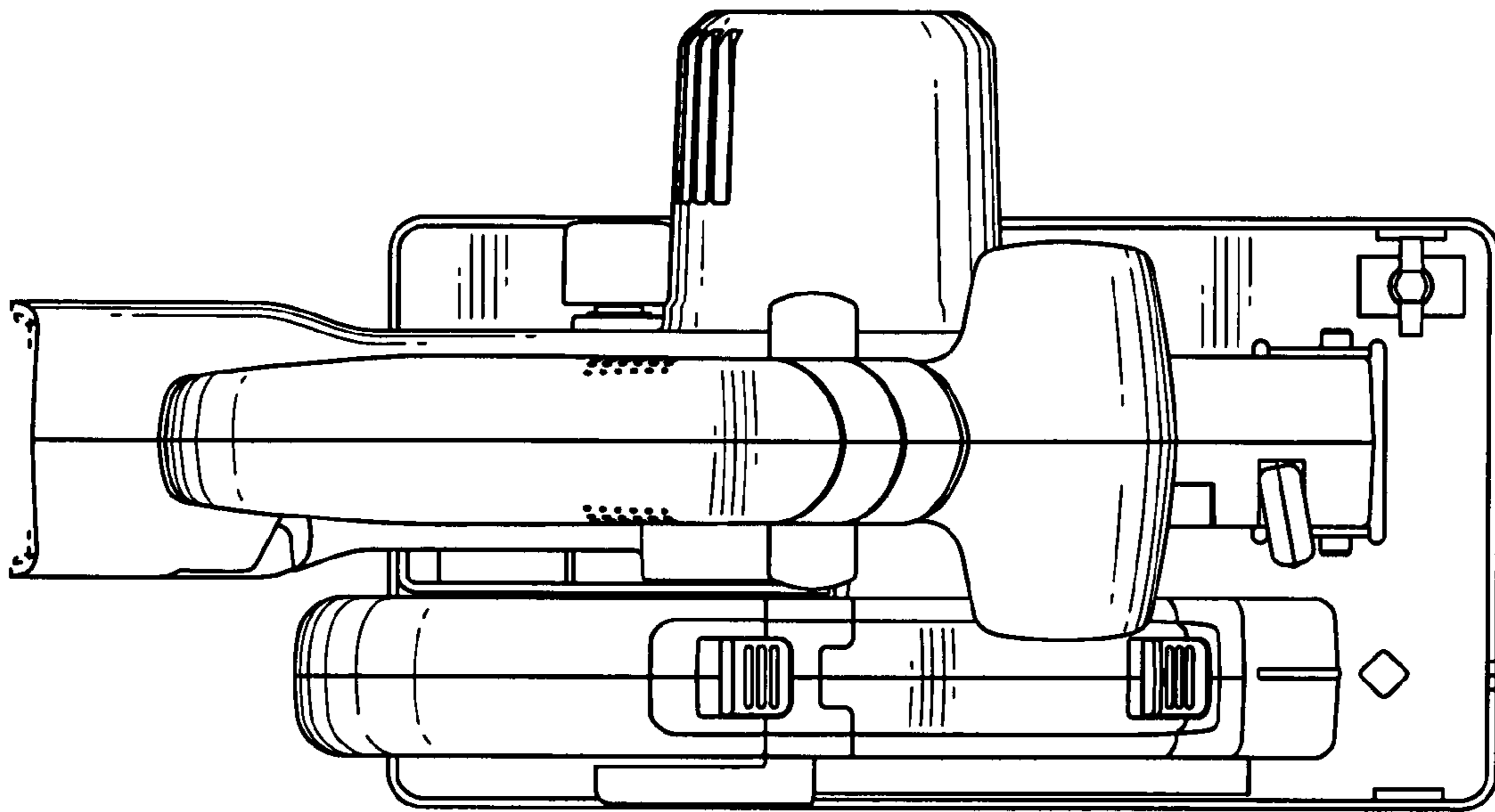


FIG. 6

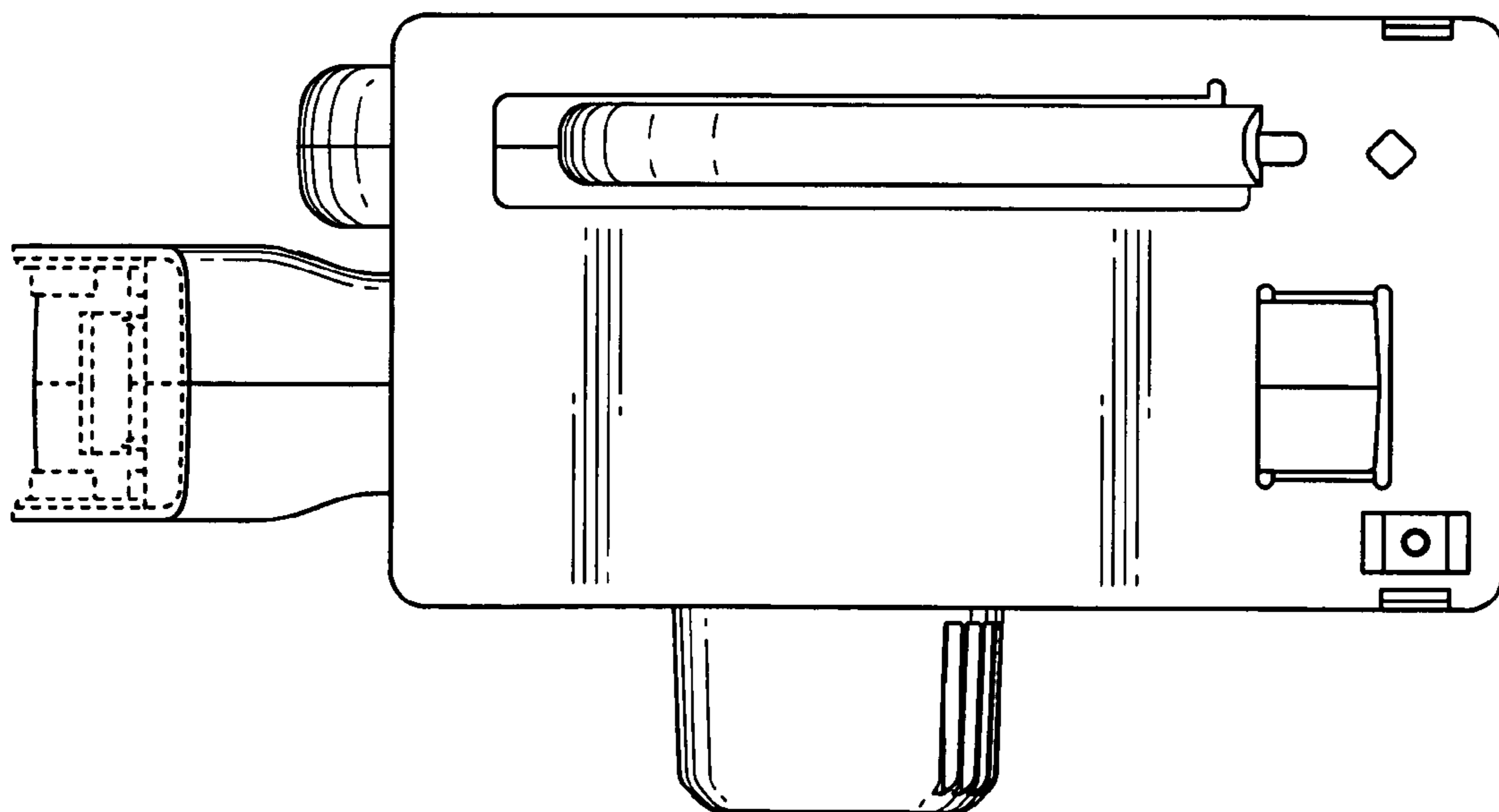


FIG. 7

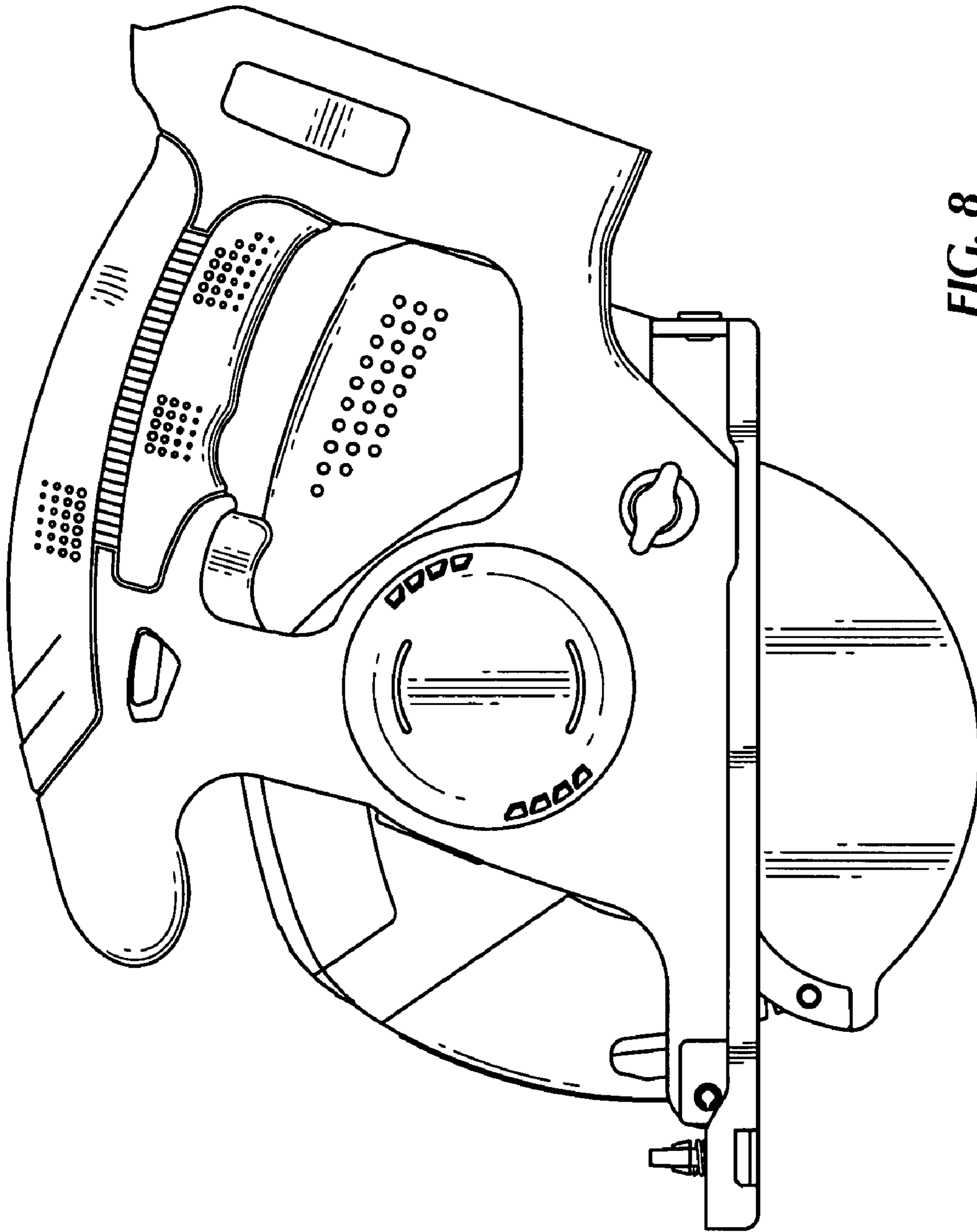


FIG. 8

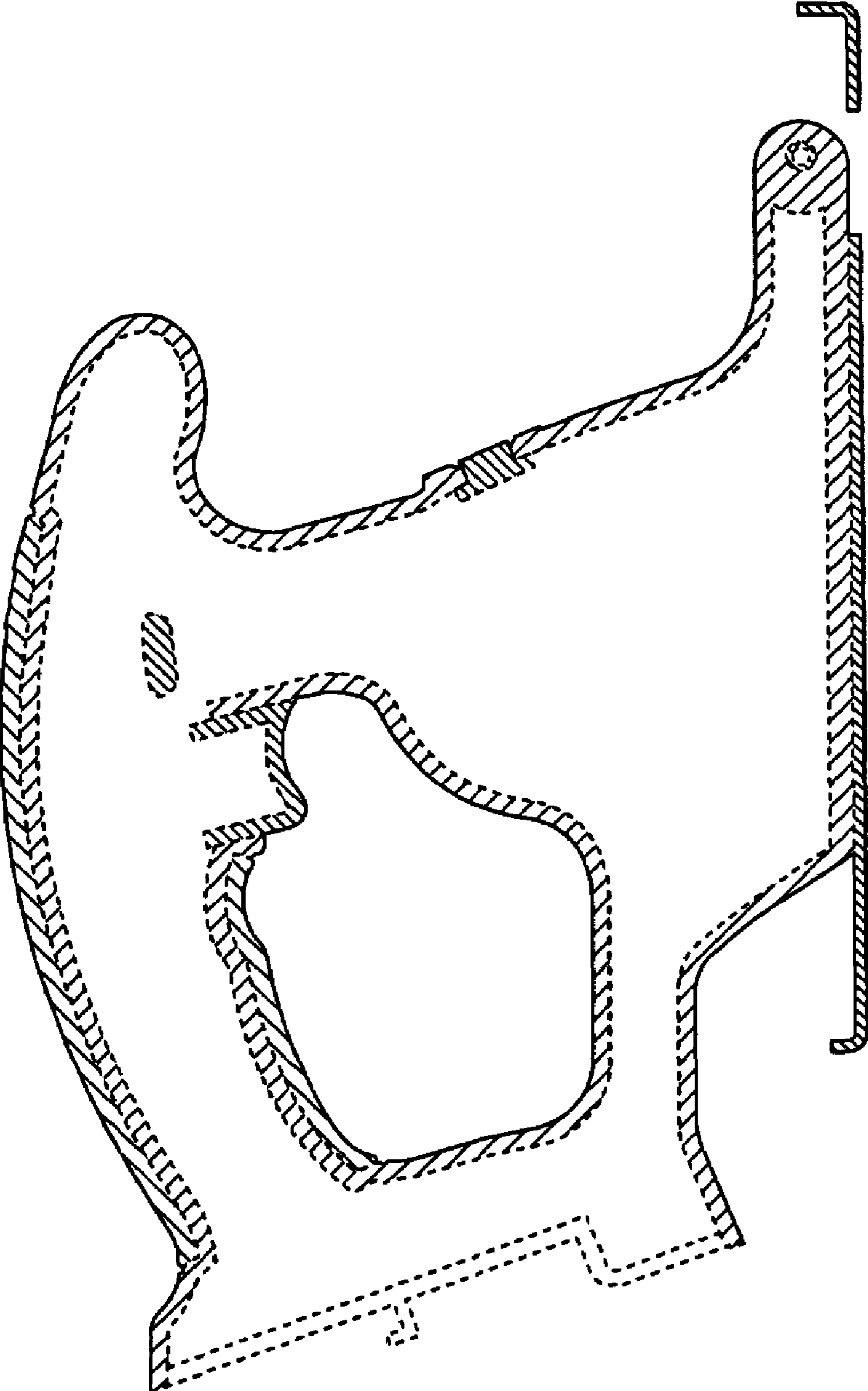


FIG. 9

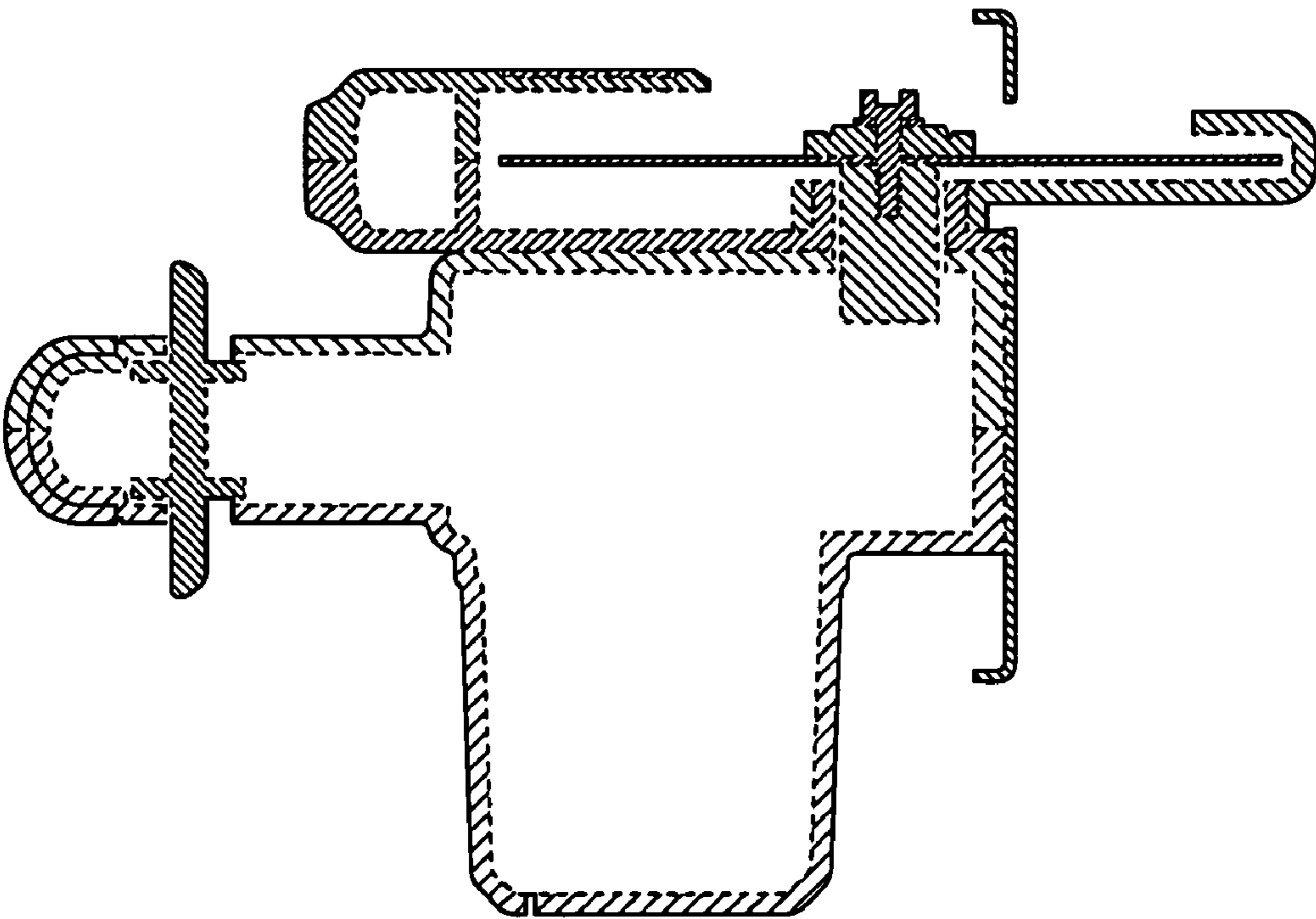


FIG. 10

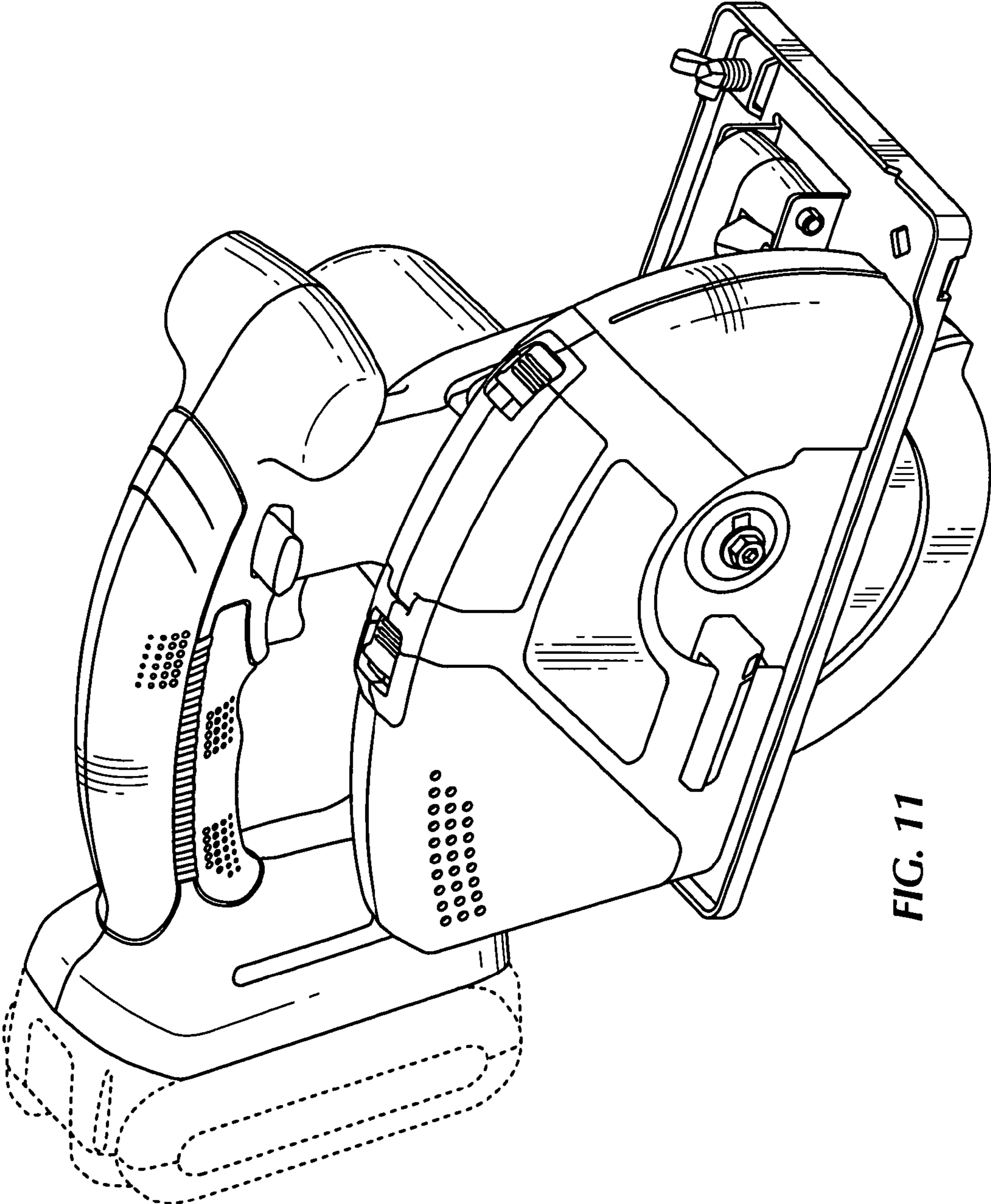


FIG. 11