



US00D594722S

(12) **United States Design Patent**
Hedrick et al.

(10) **Patent No.:** **US D594,722 S**
(45) **Date of Patent:** **** Jun. 23, 2009**

(54) **CRIMP TOOL**

(75) Inventors: **Kyle Dean Hedrick**, Midlothian, VA
(US); **De Sei Huang**, Taipei Hsien (TW)

(73) Assignee: **Greenlee Textron, Inc.**, Rockford, IL
(US)

(**) Term: **14 Years**

(21) Appl. No.: **29/323,485**

(22) Filed: **Aug. 26, 2008**

(51) **LOC (9) Cl.** **08-05**

(52) **U.S. Cl.** **D8/56**

(58) **Field of Classification Search** D8/1,
D8/4, 5, 14, 51, 52, 54-58, 71-75, 78, 105,
D8/107, 16, 19, 20, 47; D24/133, 140, 143,
D24/152-154, 216, 148; 81/300, 302, 318-338,
81/342, 351, 415-424, 424.5, 426, 426.5,
81/427, 427.5

See application file for complete search history.

(56) **References Cited**

U.S. PATENT DOCUMENTS

D152,927 S *	3/1949	Stern	D8/52
D154,561 S *	7/1949	McNamara	D8/52
2,475,866 A *	7/1949	Ward et al.	81/331
2,542,201 A *	2/1951	McDonald et al.	29/770
D179,678 S *	2/1957	Demier	D8/52
3,333,338 A *	8/1967	Burns	D8/58
3,359,778 A *	12/1967	Di Maio	D8/51
D215,693 S *	10/1969	McLogan	D8/51
3,903,725 A *	9/1975	Rommel	81/422
D244,904 S *	7/1977	Brunner et al.	D8/58
D278,876 S *	5/1985	Meyer	D8/52
4,571,764 A *	2/1986	Chen et al.	D8/105

4,713,874 A *	12/1987	Schwartz	29/566.4
6,293,004 B1 *	9/2001	Holliday	29/751
D455,325 S *	4/2002	Steiner	D8/51
D458,828 S *	6/2002	Starrett	D8/98
6,708,396 B2 *	3/2004	Holliday	29/751
D498,999 S *	11/2004	Bransby	D8/55
7,120,997 B2 *	10/2006	Islam et al.	29/751
2009/0011638 A1 *	1/2009	Wang	439/585

* cited by examiner

Primary Examiner—Cathron C Brooks

Assistant Examiner—Deanna Fluegeman

(74) *Attorney, Agent, or Firm*—Thomas, Raring & Teague, P.C.

(57) **CLAIM**

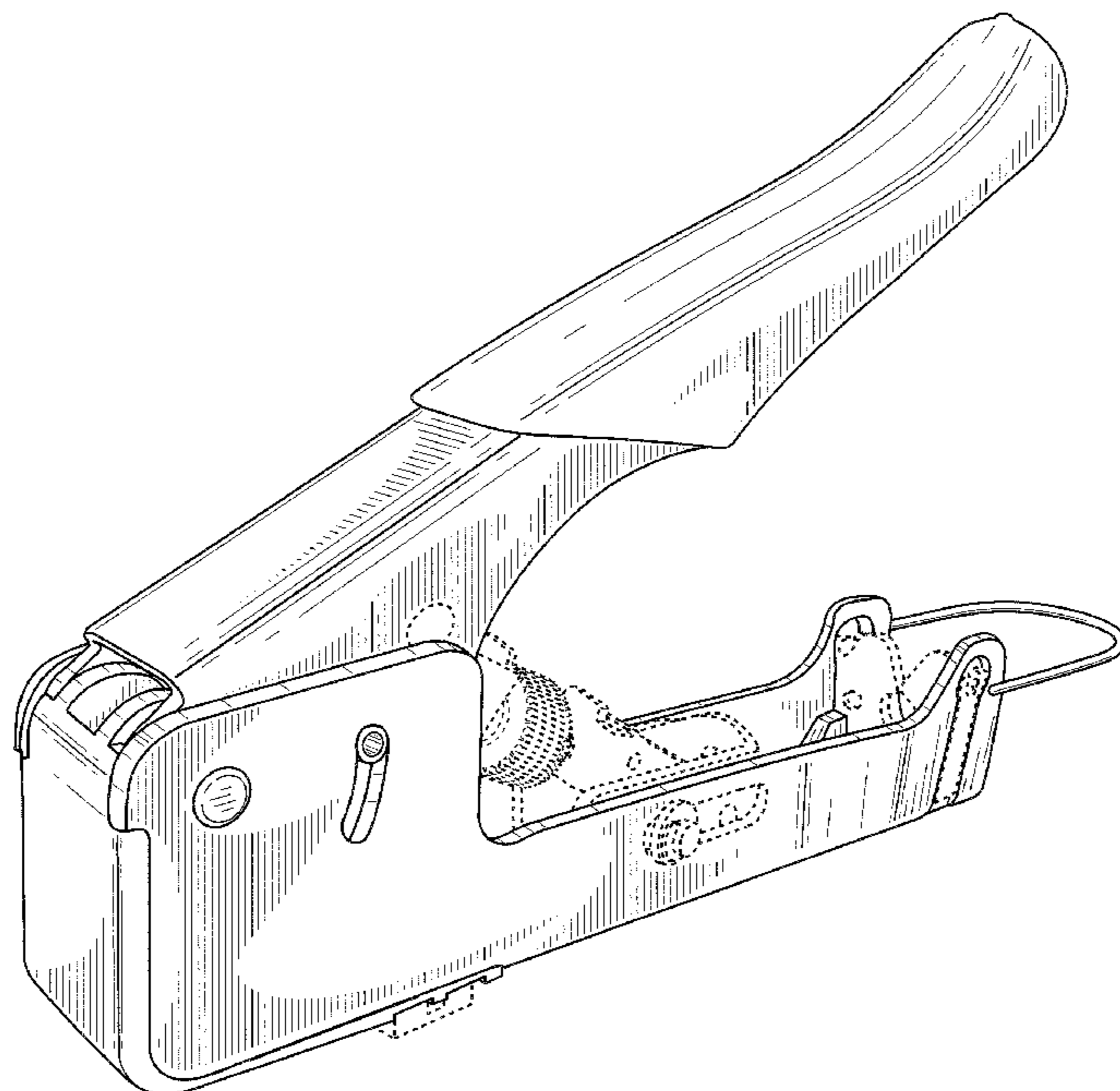
The ornamental design for a crimp tool, as shown and described.

DESCRIPTION

FIG. 1 is a perspective view as seen from the front and top side of a crimp tool in a closed position showing the new design; FIG. 2 is a perspective view as seen from the front and top side of a crimp tool in an open position showing the new design; FIG. 3 is a left side elevational view thereof; FIG. 4 is a right side elevational view thereof; FIG. 5 is a front elevational view thereof; FIG. 6 is a rear elevational view thereof; FIG. 7 is a top view thereof; and, FIG. 8 is a bottom view thereof.

The portions of the crimp tool illustrated in broken lines form no part of the claimed design.

1 Claim, 6 Drawing Sheets



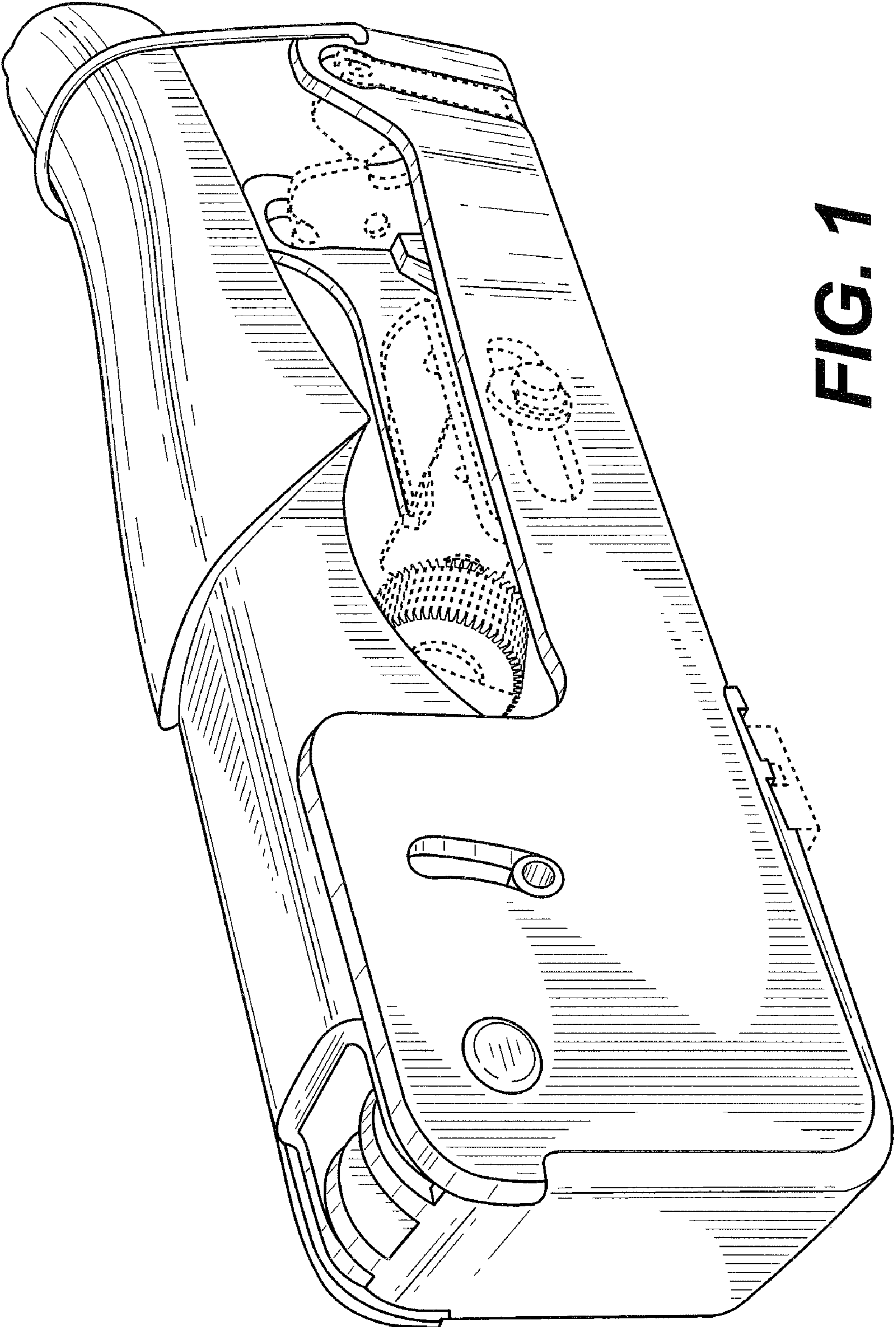


FIG. 1

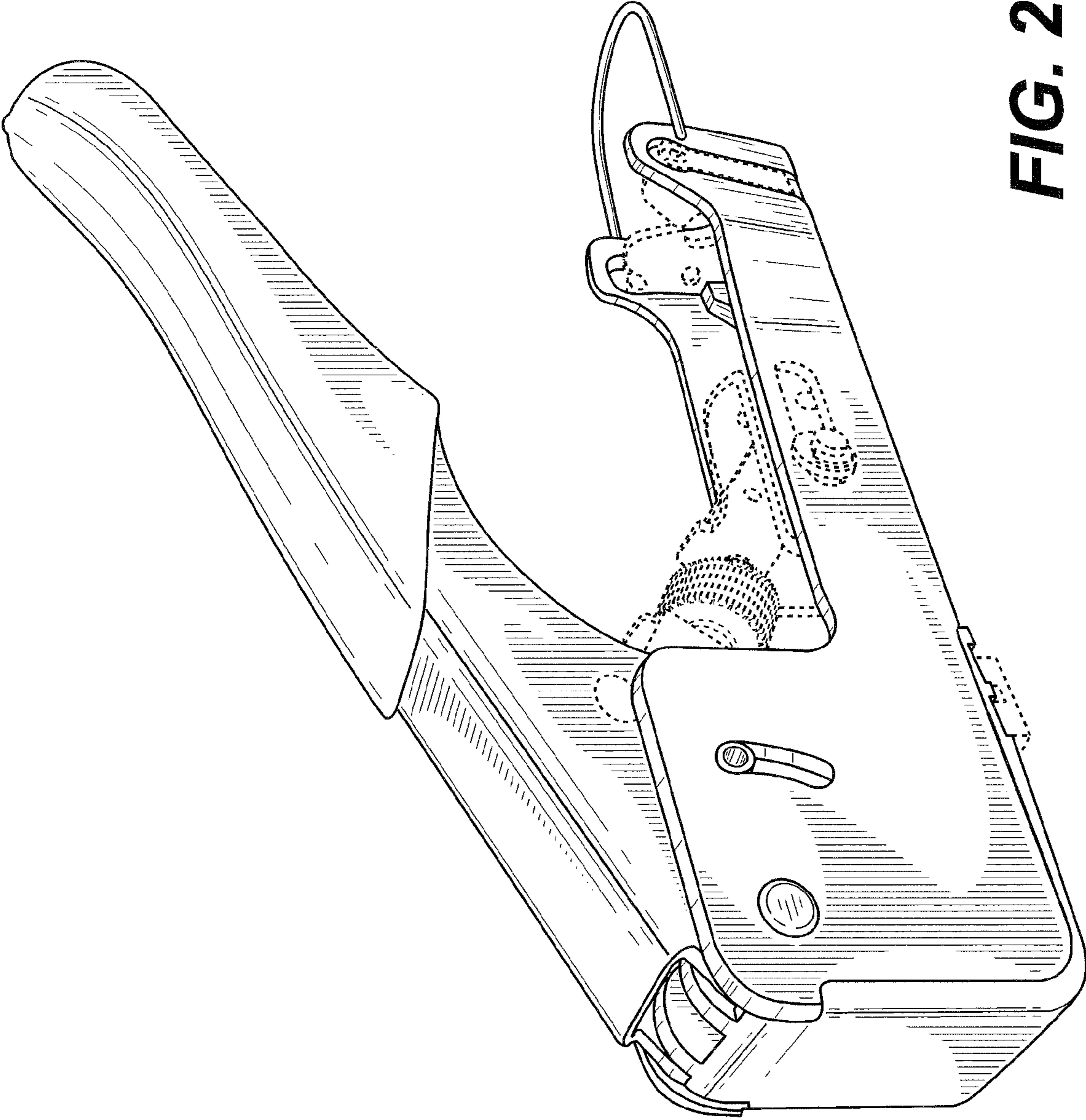


FIG. 2

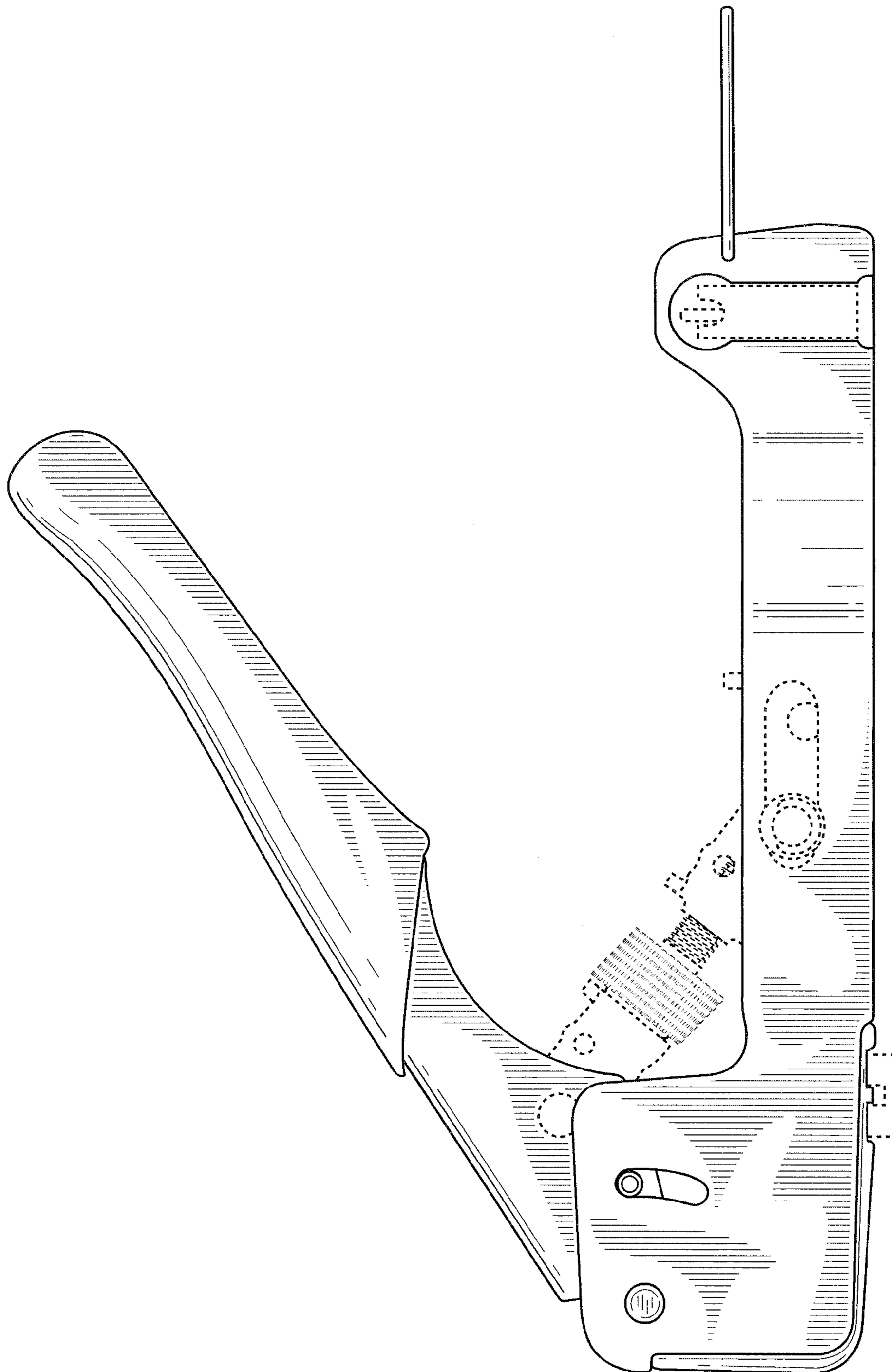


FIG. 3

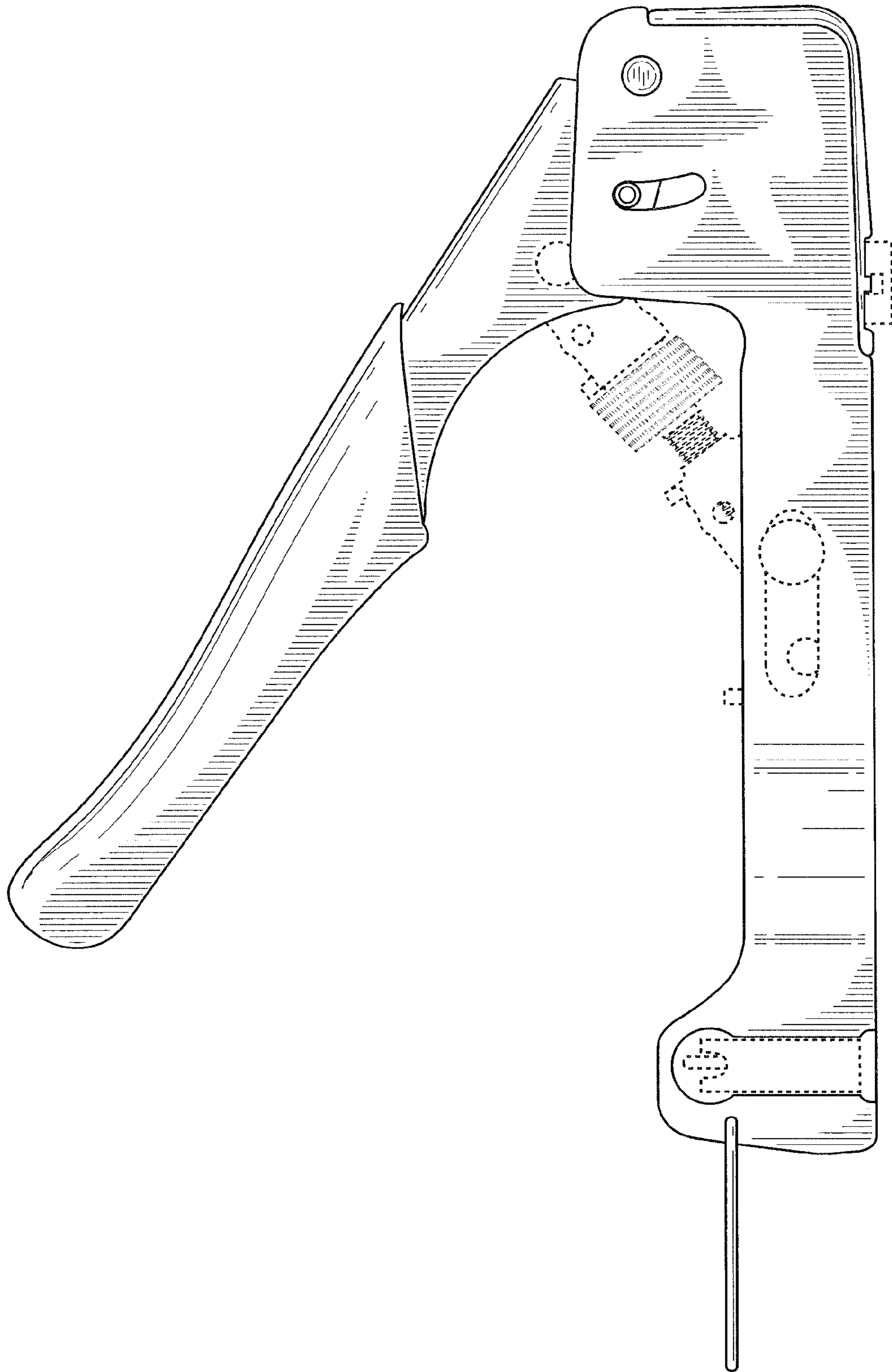


FIG. 4

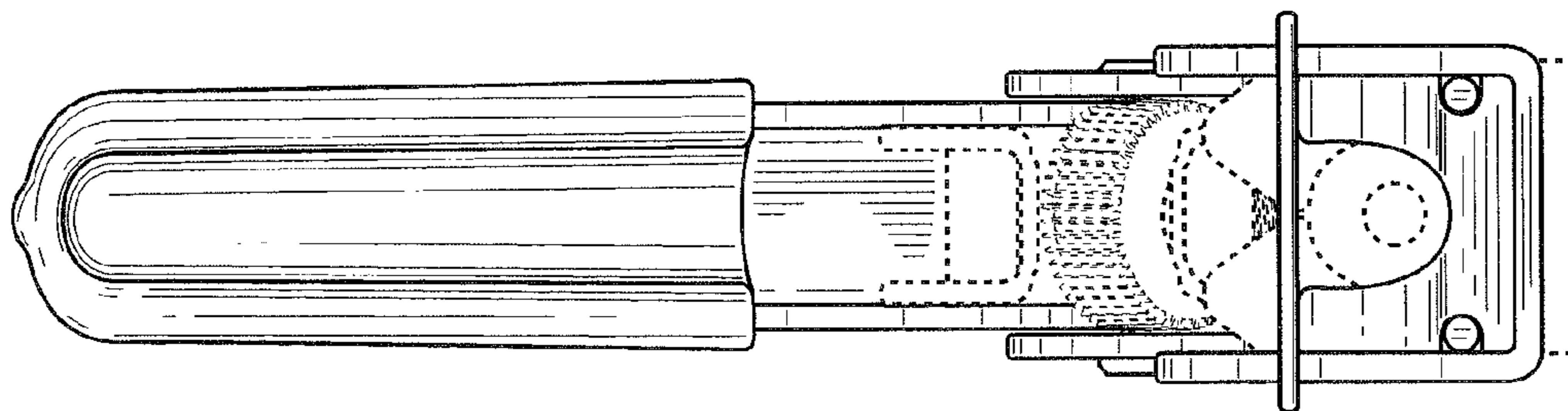


FIG. 6

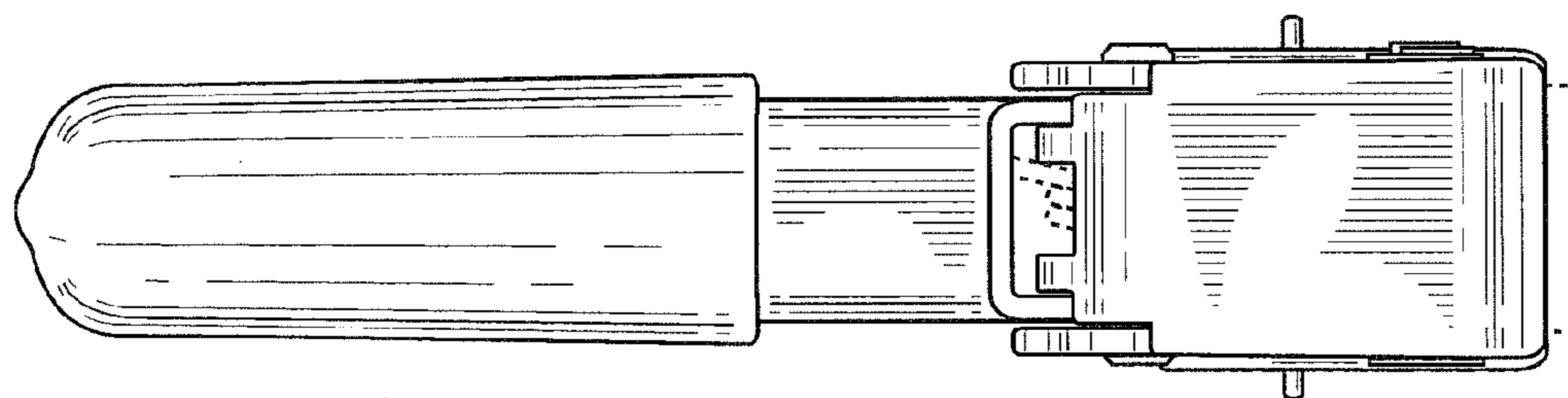


FIG. 5

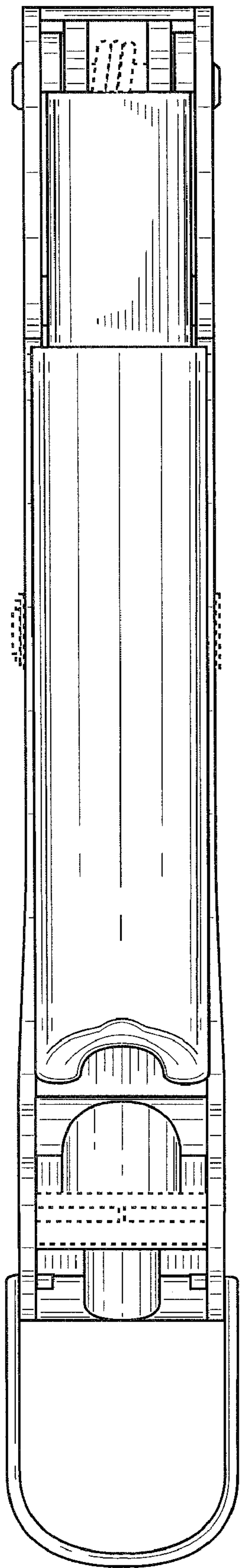


FIG. 7

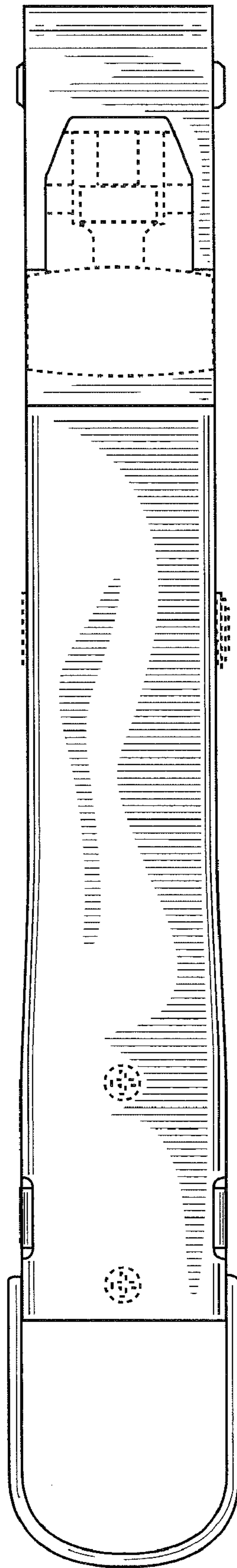


FIG. 8