



US00D594718S

(12) **United States Design Patent**
Duffy

(10) **Patent No.:** **US D594,718 S**

(45) **Date of Patent:** **** Jun. 23, 2009**

(54) **AXLE BEARING PRESS TOOL**

(76) **Inventor:** **Glen Robert Duffy**, Unit 3/20
Lancashire St., Acacia Ridge,
Queensland (AU) 4110

(**) **Term:** **14 Years**

(21) **Appl. No.:** **29/306,970**

(22) **Filed:** **Apr. 21, 2008**

(51) **LOC (9) Cl.** **08-05**

(52) **U.S. Cl.** **D8/14**

(58) **Field of Classification Search** D8/14,
D8/51; 29/256, 259, 260, 266, 263

See application file for complete search history.

(56) **References Cited**

U.S. PATENT DOCUMENTS

2,684,527	A *	7/1954	Hedlund	29/894.36
4,209,888	A *	7/1980	Glasscock, Sr.	29/263
4,682,395	A *	7/1987	Klann	29/261
4,908,925	A *	3/1990	Johnson	29/260

4,989,312	A *	2/1991	Maddalena	29/259
5,333,378	A *	8/1994	Sjobom	29/898.08
6,212,775	B1 *	4/2001	Sarver et al.	29/898.08
6,266,861	B1 *	7/2001	Chen	29/261
6,305,061	B1 *	10/2001	King	29/259
6,539,601	B1 *	4/2003	Cloward	29/263

* cited by examiner

Primary Examiner—Philip S Hyder

(74) *Attorney, Agent, or Firm*—Hartman & Hartman, P.C.;
Gary M. Hartman; Domenica N.S. Hartman

(57) **CLAIM**

The ornamental design for an “axle bearing press tool,” as shown and described.

DESCRIPTION

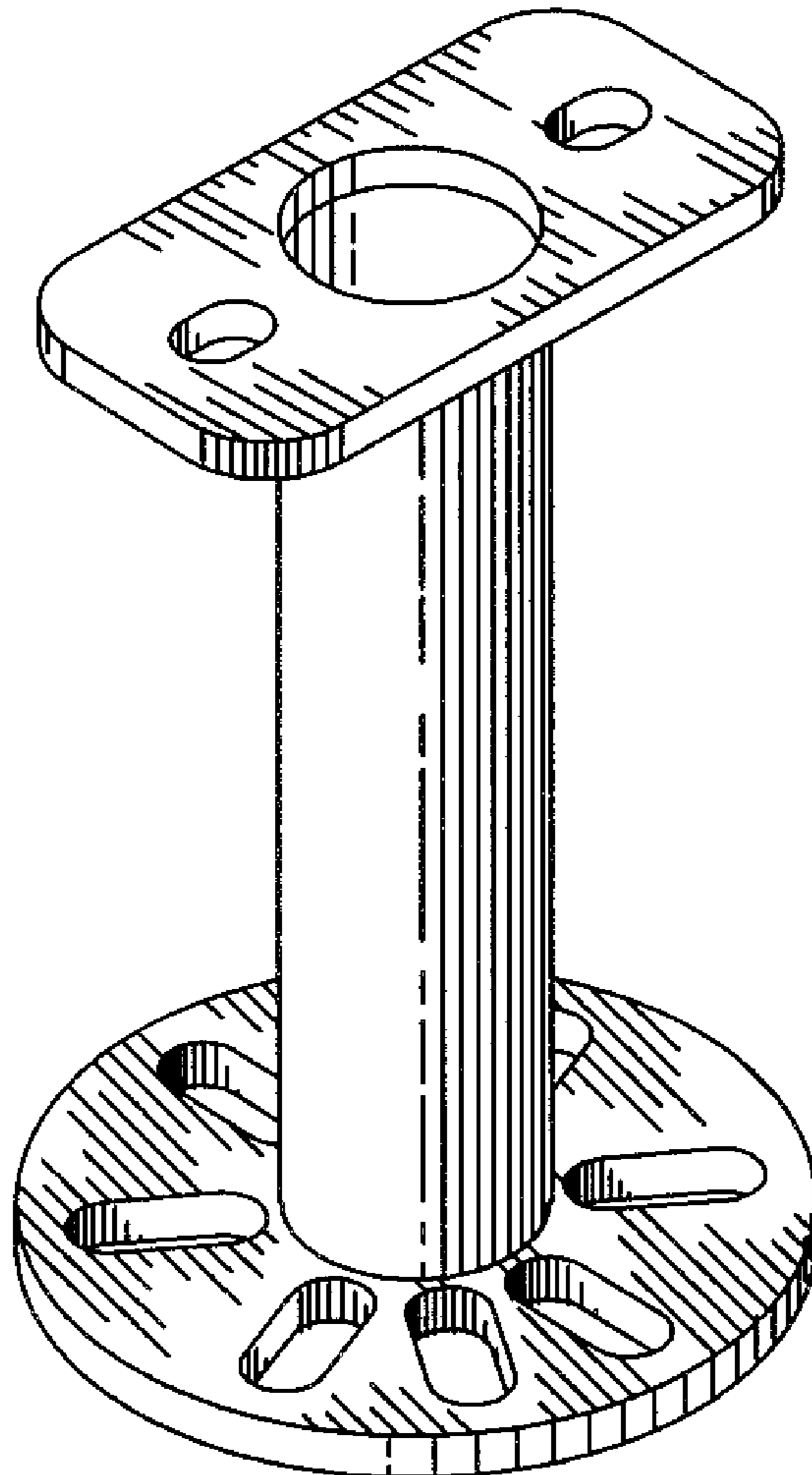
FIG. 1 is an isometric view thereof;

FIG. 2 is a top view thereof;

FIG. 3 is a side view thereof; and,

FIG. 4 is a bottom view thereof.

1 Claim, 1 Drawing Sheet



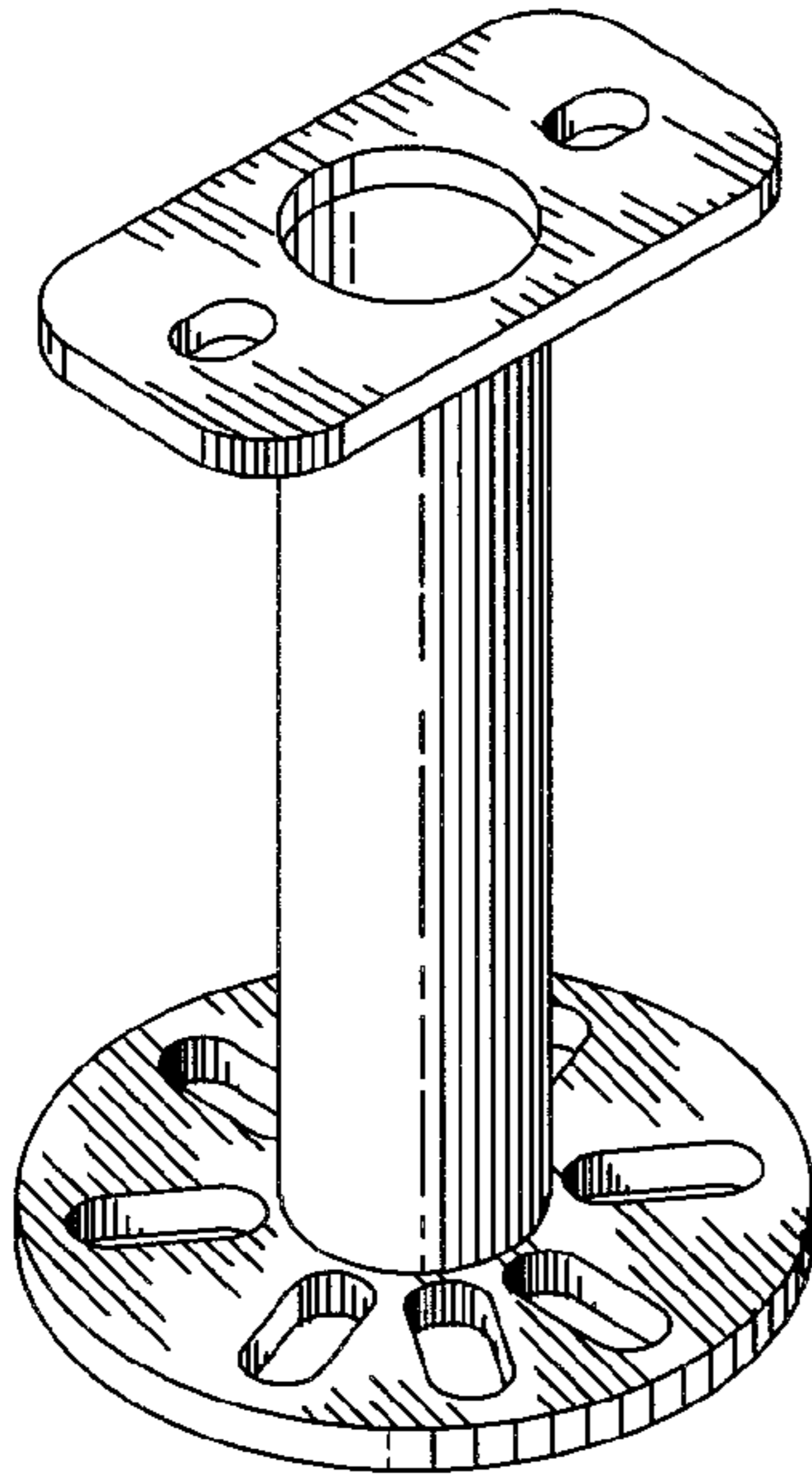


FIG. 1

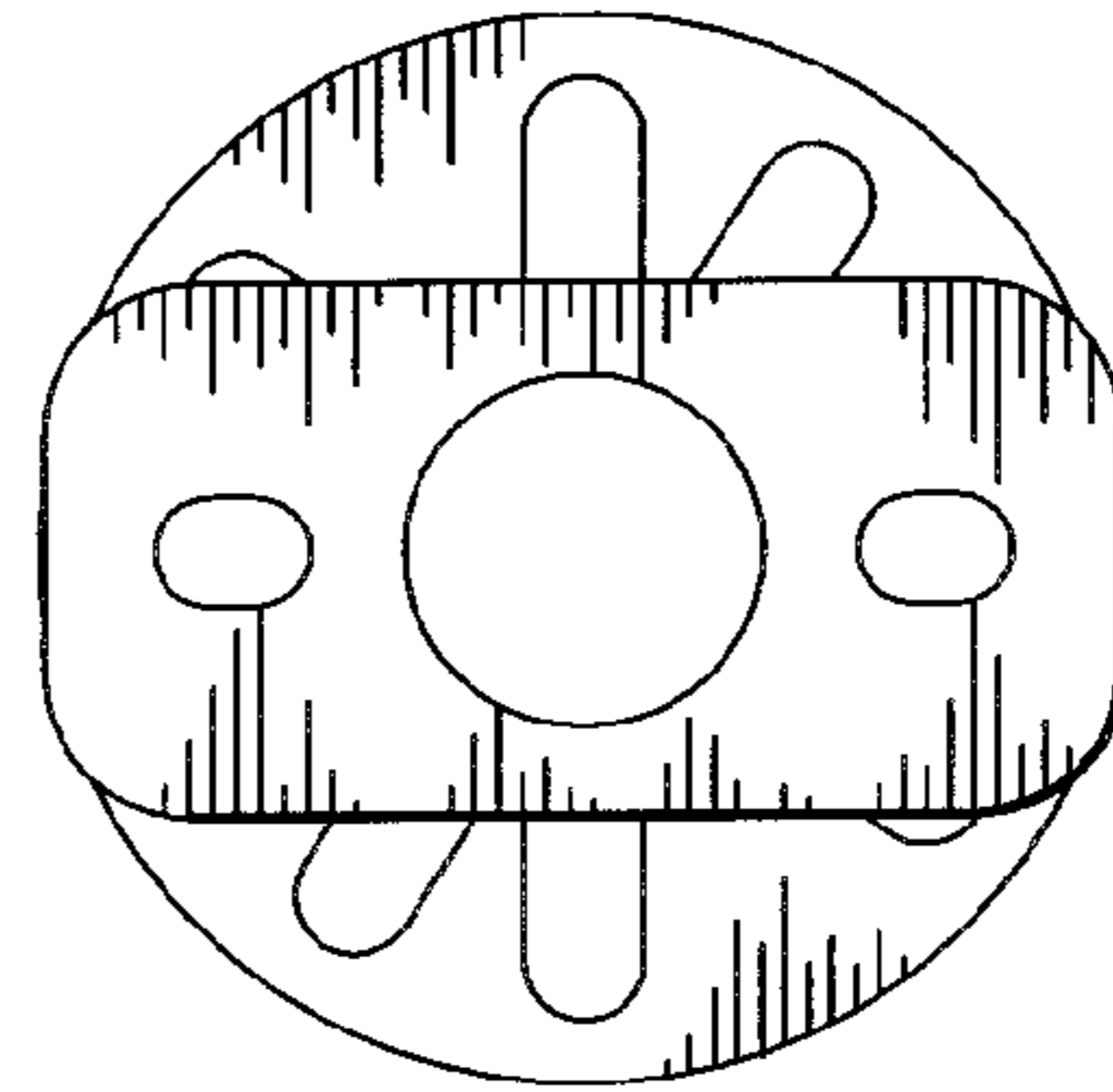


FIG. 2

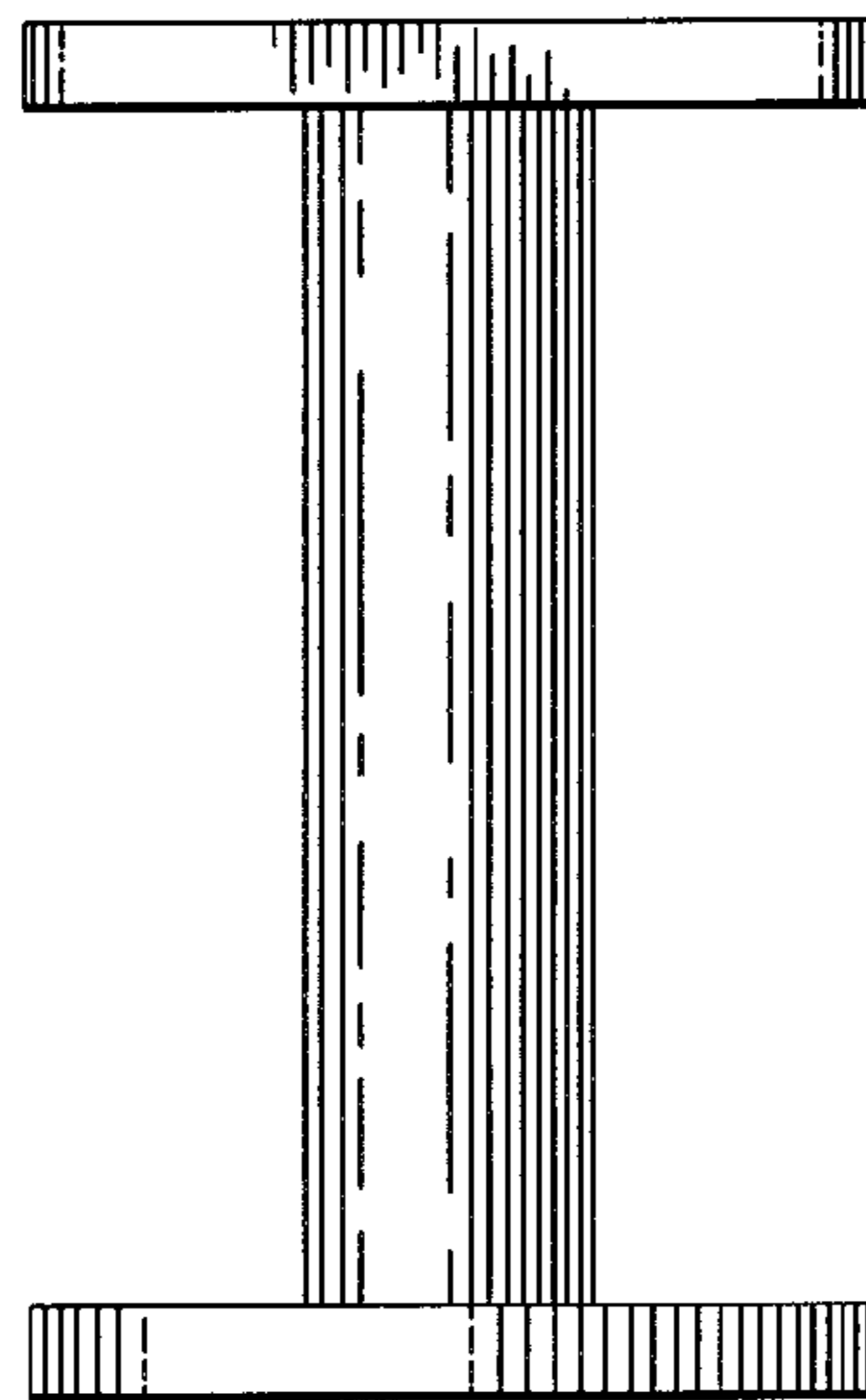


FIG. 3

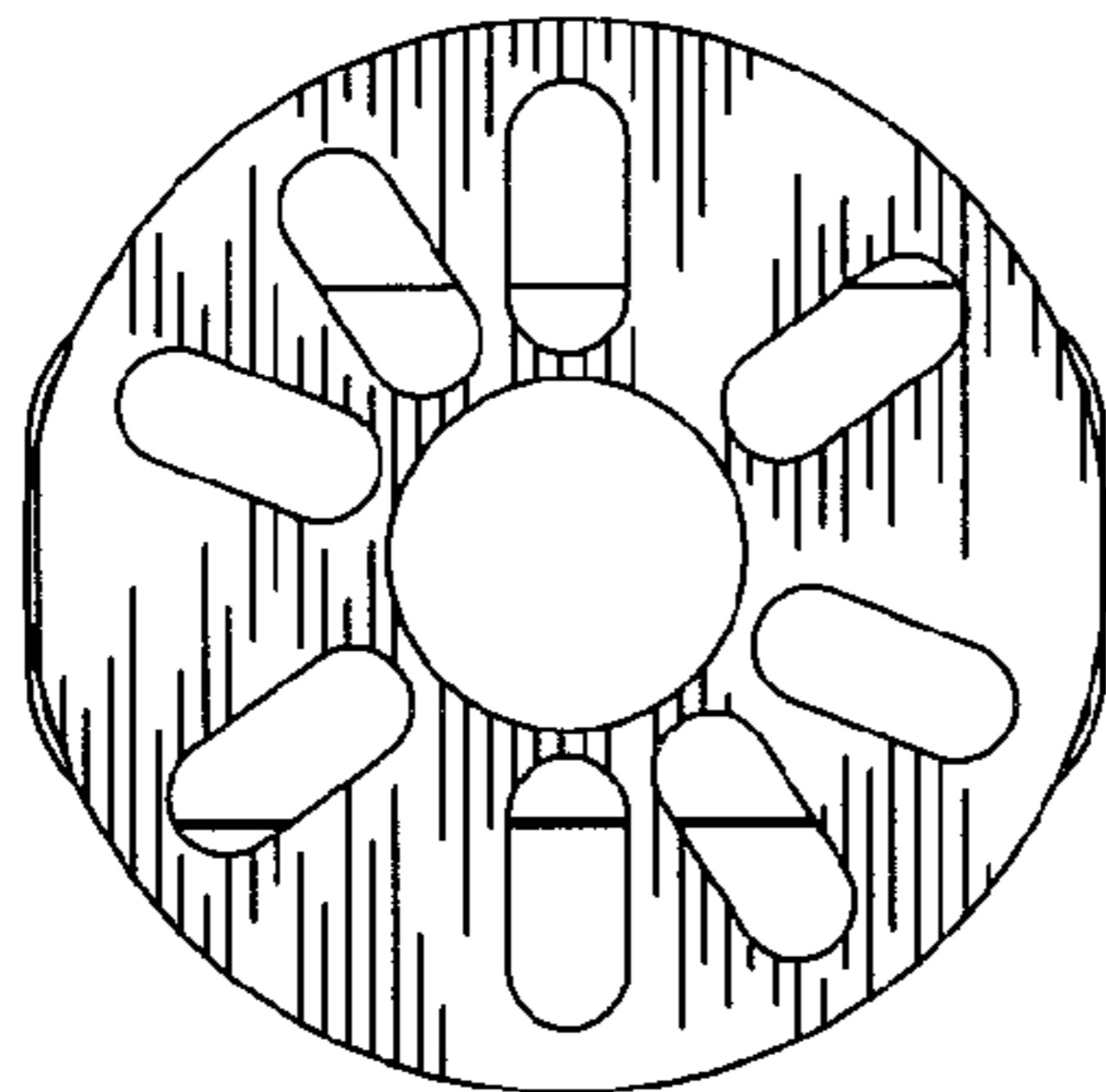


FIG. 4