



US00D594717S

(12) **United States Design Patent**
Wu Chang

(10) **Patent No.:** **US D594,717 S**
(45) **Date of Patent:** **** Jun. 23, 2009**

(54) **JUICE EXTRACTOR**

(75) Inventor: **Li-Chen Wu Chang**, Taoyuan (TW)

(73) Assignee: **Lyu Jan Co., Ltd.**, Taoyuan Hsien (TW)

(**) Term: **14 Years**

(21) Appl. No.: **29/328,546**

(22) Filed: **Nov. 25, 2008**

(51) **LOC (9) Cl.** **31-00**

(52) **U.S. Cl.** **D7/665**

(58) **Field of Classification Search** D7/665,
D7/666, 373, 374, 381, 384; 99/348, 495,
99/501-513, 357; 241/36, 37.5, 92, 100,
241/282.1

See application file for complete search history.

(56) **References Cited**

U.S. PATENT DOCUMENTS

6,609,455 B2 * 8/2003 Fouquet 99/511
D501,370 S * 2/2005 Hensel et al. D7/665
D513,943 S * 1/2006 Hsu D7/665

D522,321 S * 6/2006 Hsu D7/665
D526,540 S * 8/2006 Cohen et al. D7/665
D540,127 S * 4/2007 Ye et al. D7/665
2003/0052206 A1 * 3/2003 Fouquet 241/92

* cited by examiner

Primary Examiner—Terry A. Wallace

(57) **CLAIM**

The ornamental design for a juice extractor, as shown and described.

DESCRIPTION

FIG. 1 is a perspective view of a juice extractor showing our new design;

FIG. 2 is a front elevational view thereof;

FIG. 3 is a rear elevational view thereof;

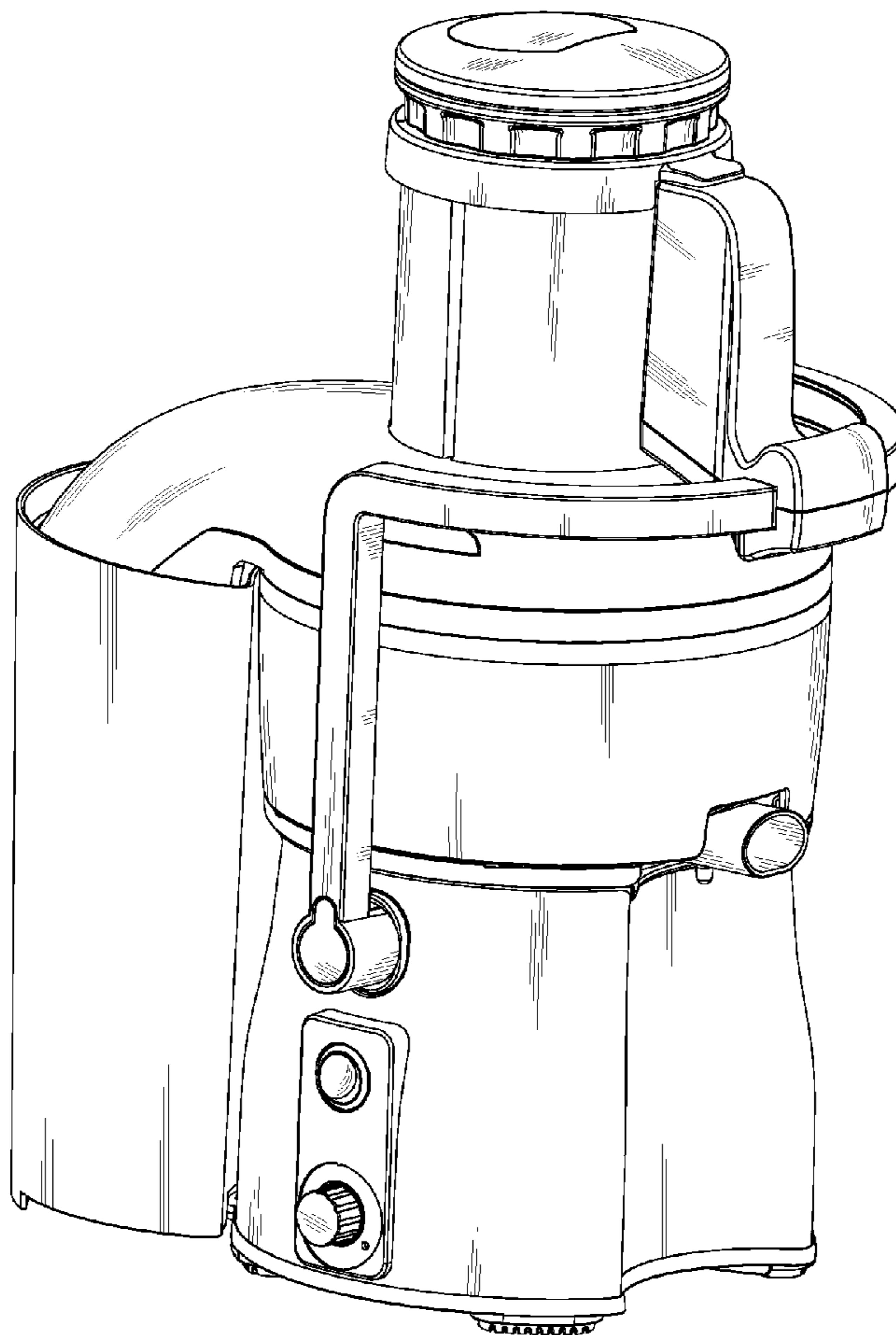
FIG. 4 is a left side elevational view thereof;

FIG. 5 is a right side elevational view thereof;

FIG. 6 is a top view thereof; and,

FIG. 7 is a bottom view thereof.

1 Claim, 7 Drawing Sheets



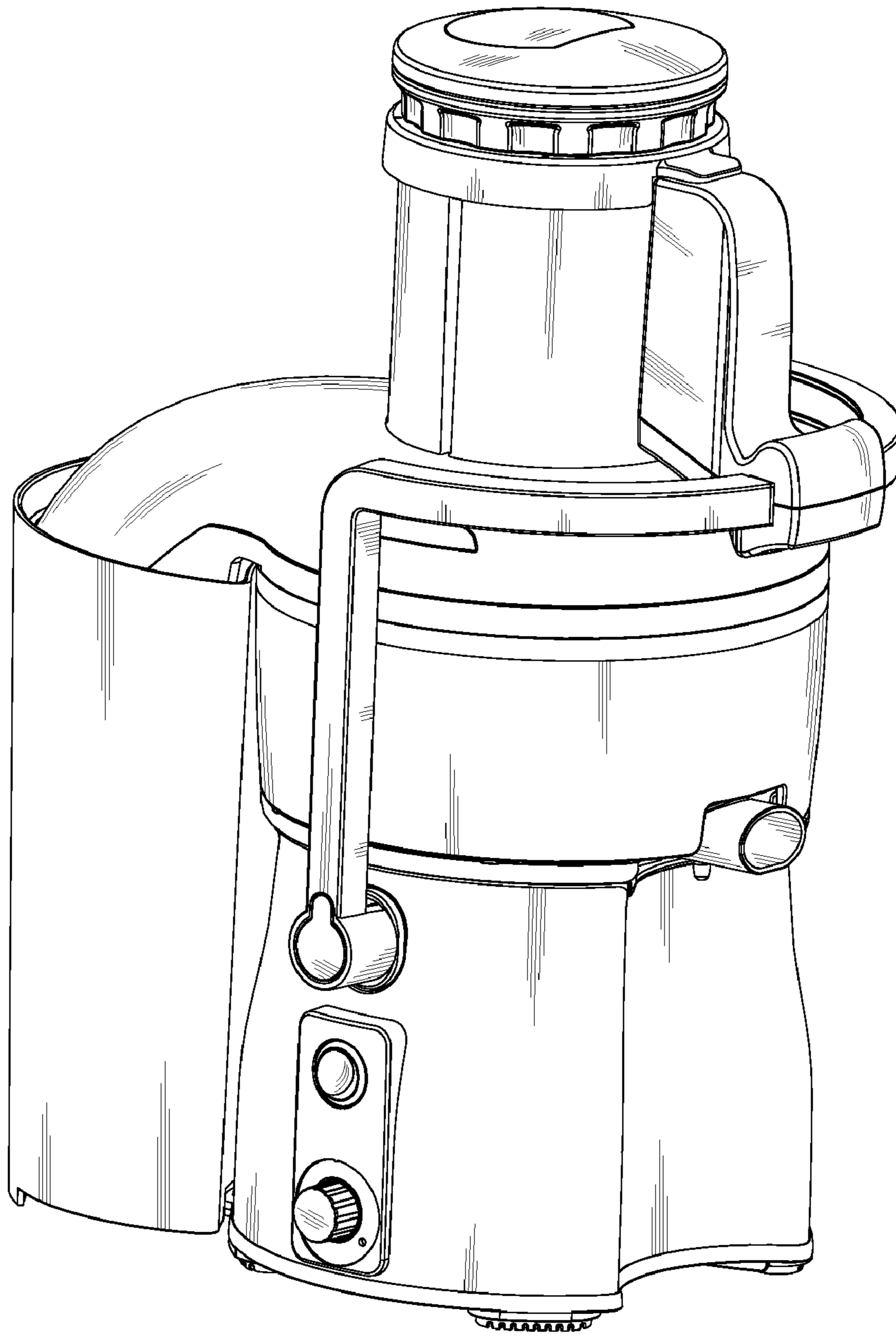


FIG. 1

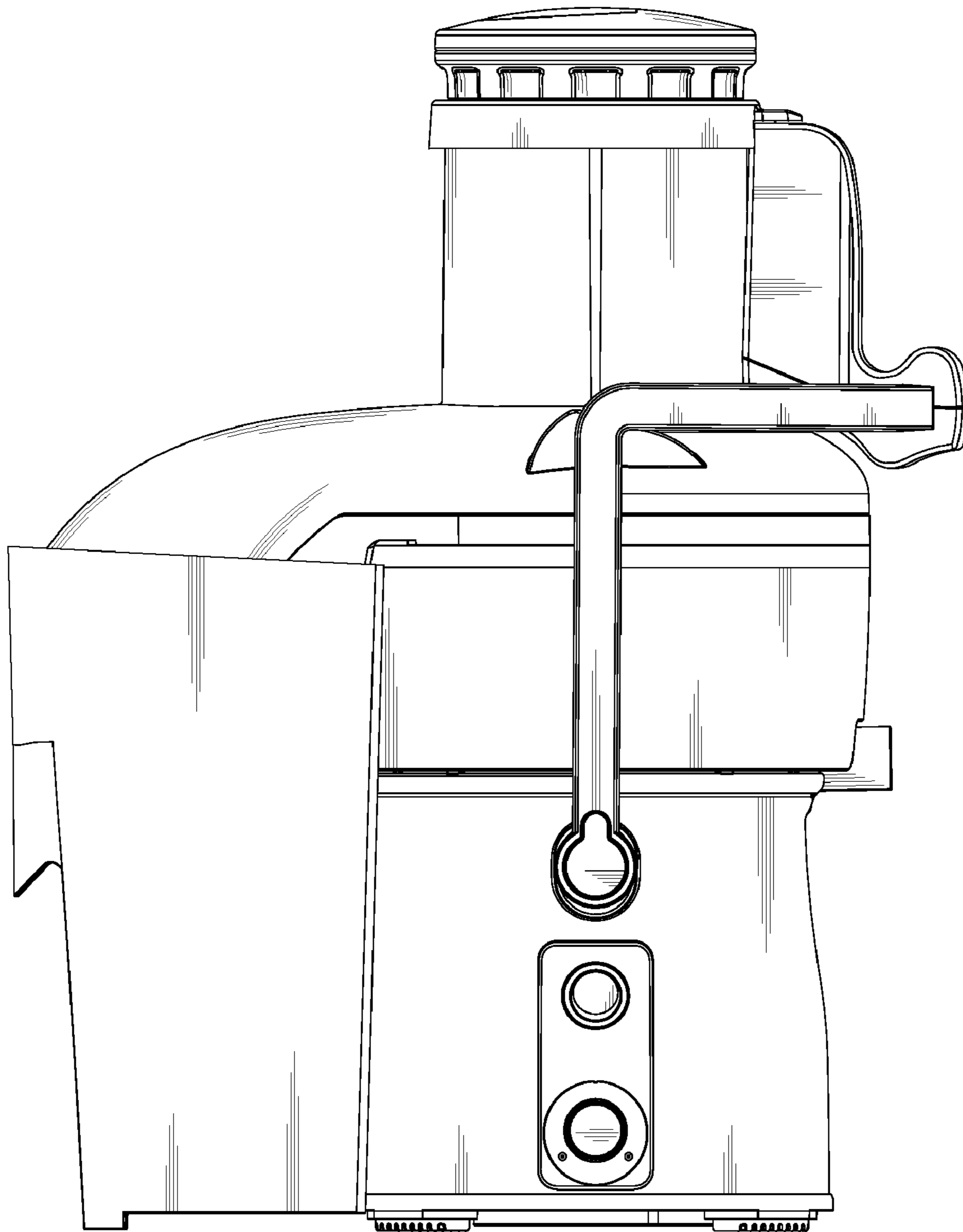


FIG. 2

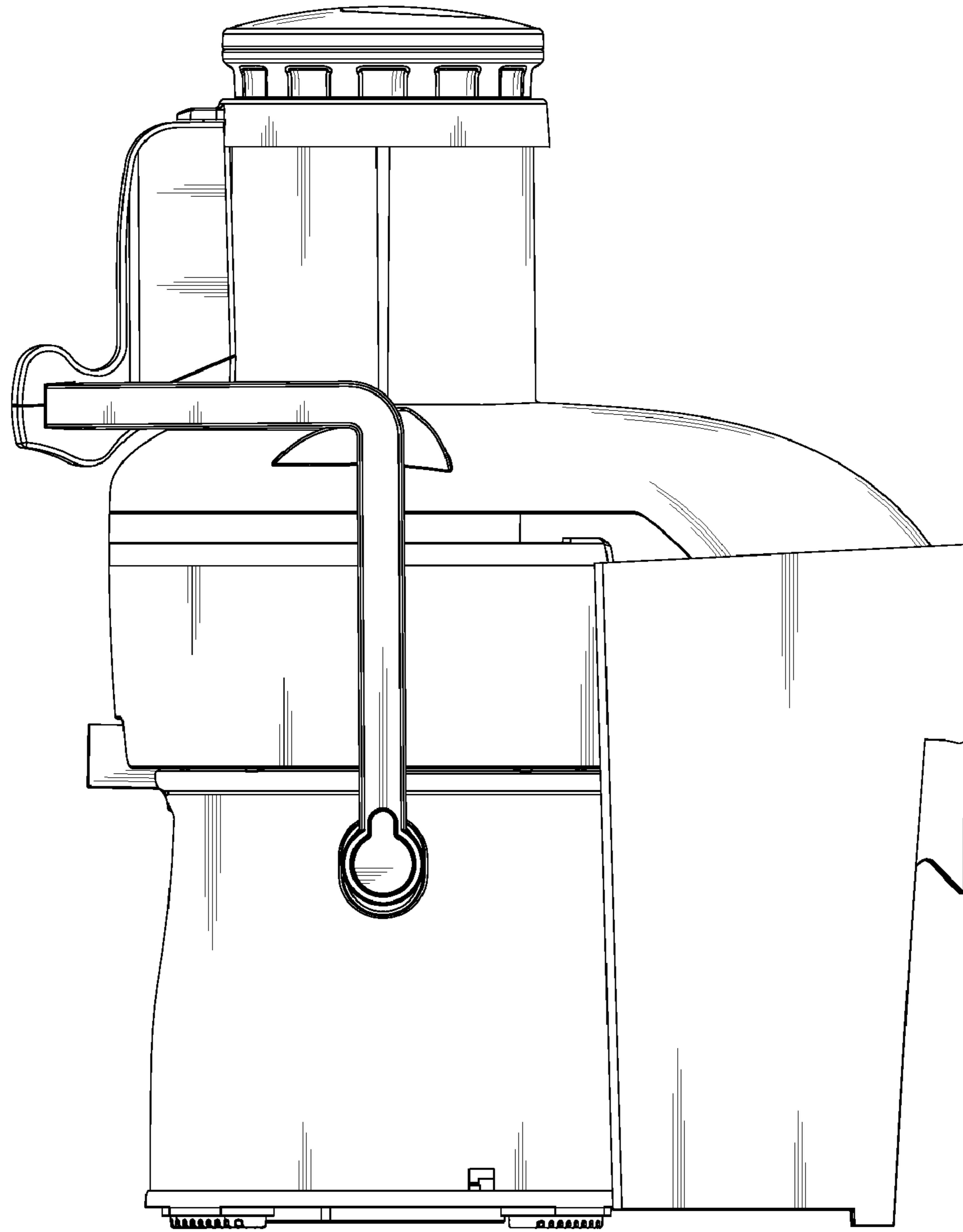


FIG. 3

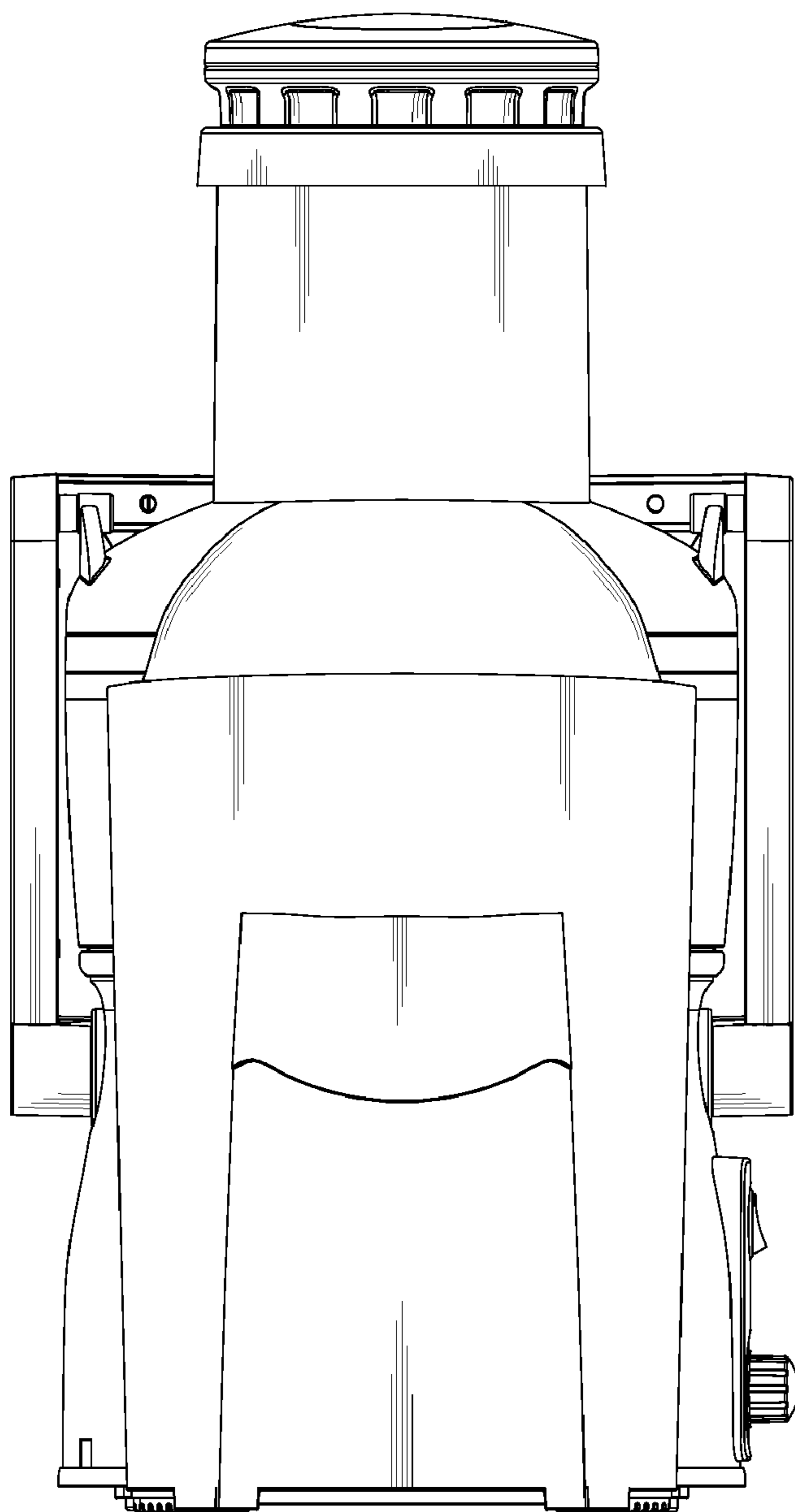


FIG. 4

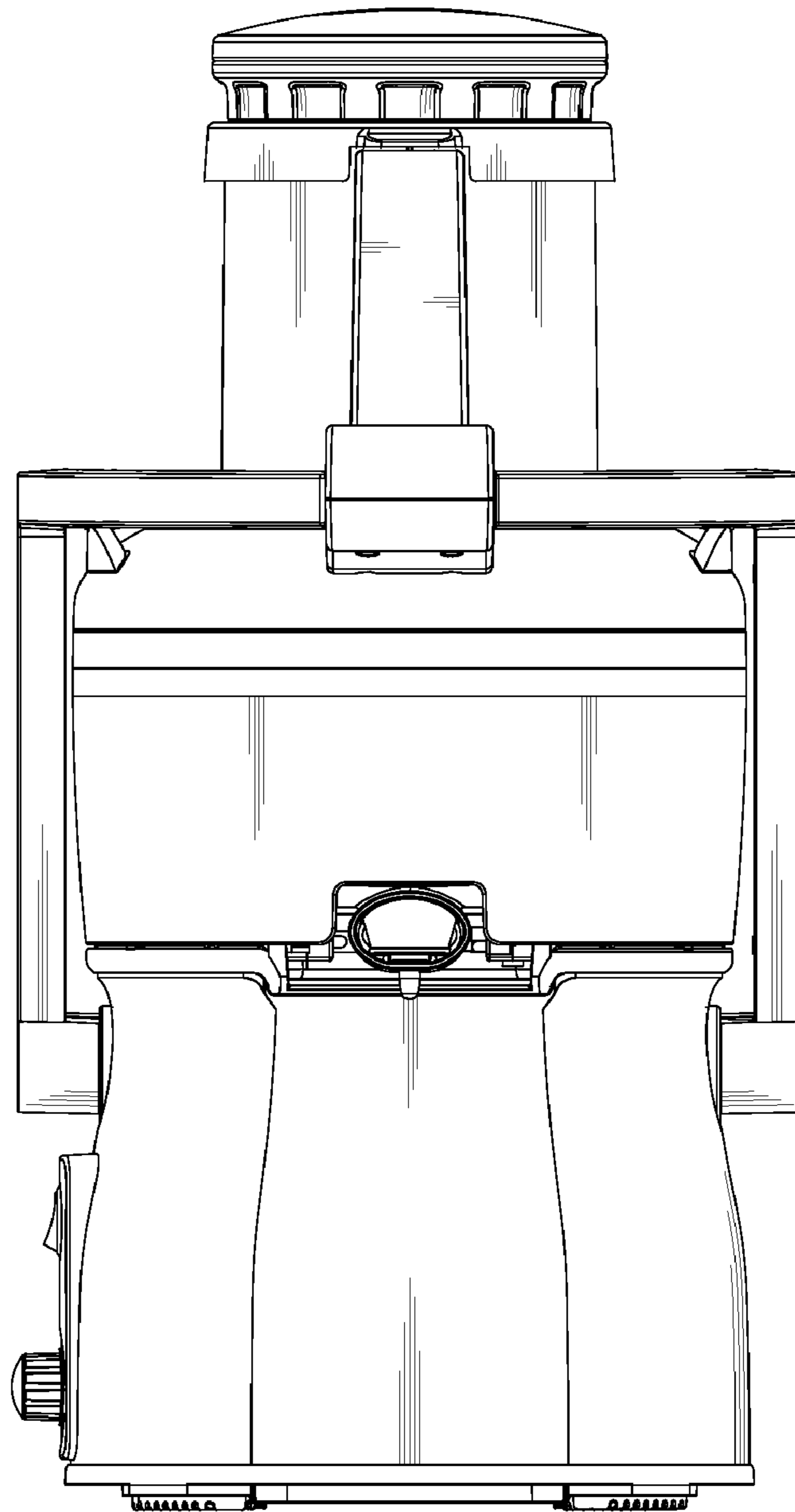


FIG. 5

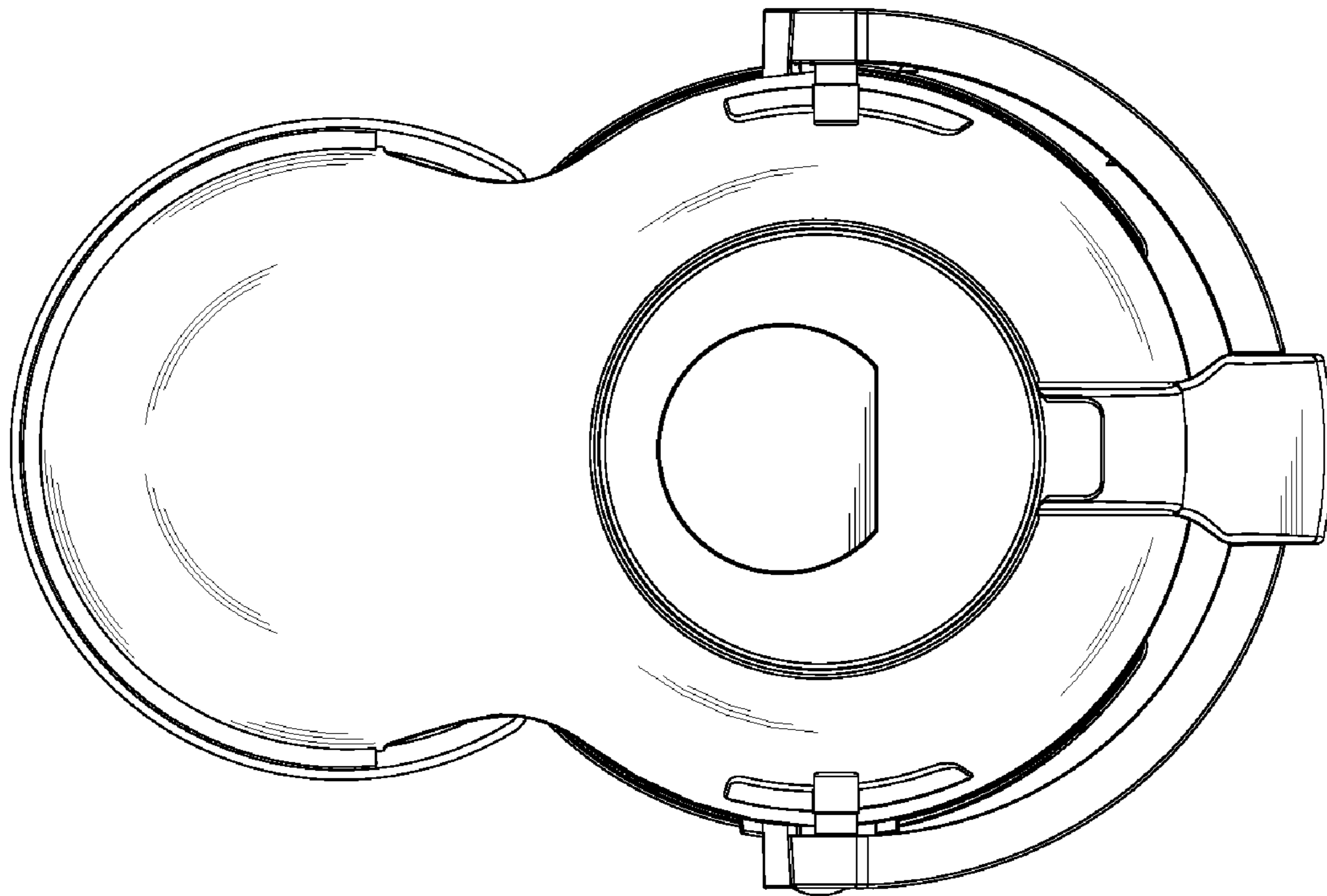


FIG. 6

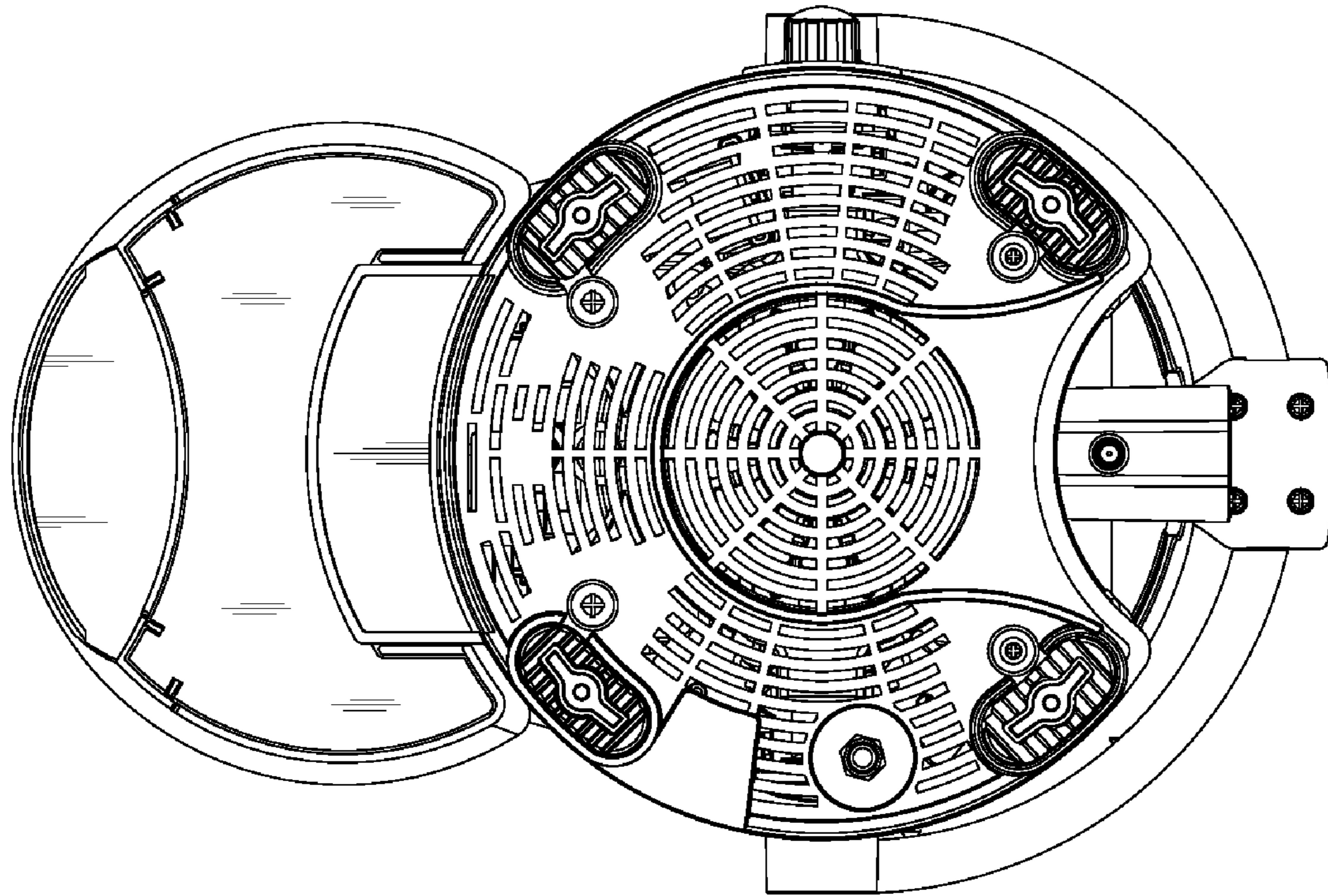


FIG. 7