



US00D594707S

(12) **United States Design Patent**
Silverstein et al.

(10) **Patent No.:** **US D594,707 S**
(45) **Date of Patent:** **** Jun. 23, 2009**

(54) **PROTECTIVE SLEEVE**

(75) Inventors: **Barry L. Silverstein**, Northbrook, IL (US); **Matthew R. Cook**, Hinsdale, IL (US); **James A. Hubbard, Jr.**, Oak Lawn, IL (US); **Kurt M. Wolf**, Evanston, IL (US)

(73) Assignee: **LBP Manufacturing, Inc.**, Cicero, IL (US)

(**) Term: **14 Years**

(21) Appl. No.: **29/321,925**

(22) Filed: **Jul. 25, 2008**

(51) **LOC (9) Cl.** **07-01**

(52) **U.S. Cl.** **D7/624.2; D7/607**

(58) **Field of Classification Search** D7/605-608,
D7/619.1-625; D9/444; 229/403, 405, 198.2;
220/737, 738, 739, 903

See application file for complete search history.

(56) **References Cited**

U.S. PATENT DOCUMENTS

4,986,089 A * 1/1991 Raab D7/607

(Continued)

Primary Examiner—Terry A Wallace

(74) *Attorney, Agent, or Firm*—Brinks Hofer Gilson & Lione

(57) **CLAIM**

We claim the ornamental design for a protective sleeve, as shown and described.

DESCRIPTION

FIG. 1 is a front perspective view of a protective sleeve assembled with a cup.

FIG. 2 is a front view of a protective sleeve assembled with a cup.

FIG. 3 is a first side perspective view of the protective sleeve assembled with a cup.

FIG. 4 is a second side perspective view of the protective sleeve assembled with a cup.

FIG. 5 is a back perspective view of the protective sleeve assembled with a cup.

FIG. 6 is a front perspective view of the protective sleeve in flat-folded formation.

FIG. 7 is a front view of the protective sleeve in flat-folded formation.

FIG. 8 is a back view of the protective sleeve in flat-folded formation.

FIG. 9 is a top view of the protective sleeve in flat-folded formation.

FIG. 10 is a bottom view of the protective sleeve in flat-folded formation.

FIG. 11 is a right view of the protective sleeve in flat-folded formation.

FIG. 12 is a left view of the protective sleeve in flat-folded formation.

FIG. 13 is a front perspective view of the unfolded protective sleeve.

FIG. 14 is a front view of the unfolded protective sleeve.

FIG. 15 is a back view of the unfolded protective sleeve.

FIG. 16 is a top view of the unfolded protective sleeve.

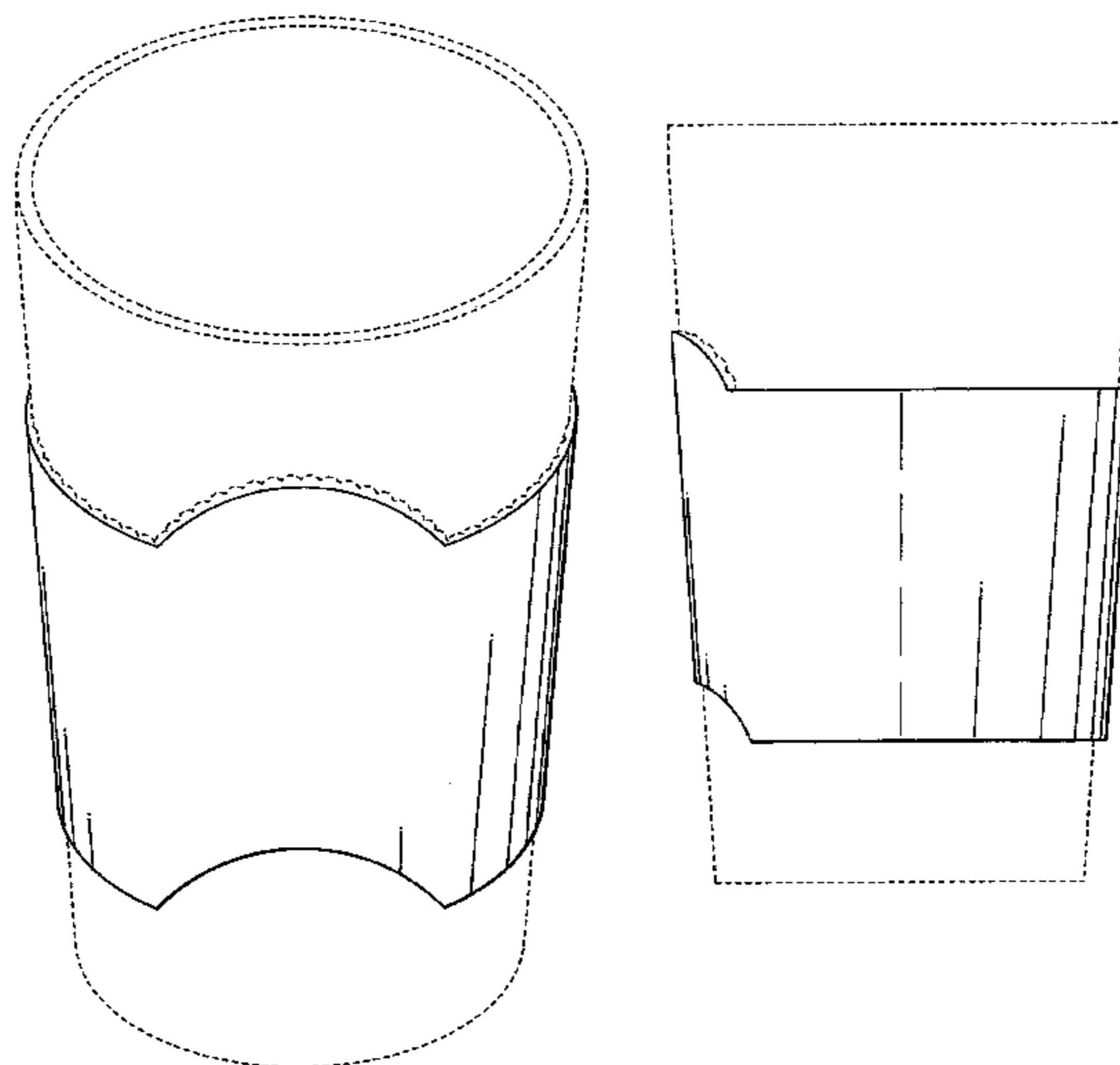
FIG. 17 is bottom view of the unfolded protective sleeve.

FIG. 18 is a right side view of the unfolded protective sleeve; and,

FIG. 19 is a left side view of the unfolded protective sleeve.

The ornamental design which is claimed is shown in solid lines in the drawing. Any broken lines in the drawings are for illustrative purposes only and form no part of the claimed design.

1 Claim, 13 Drawing Sheets



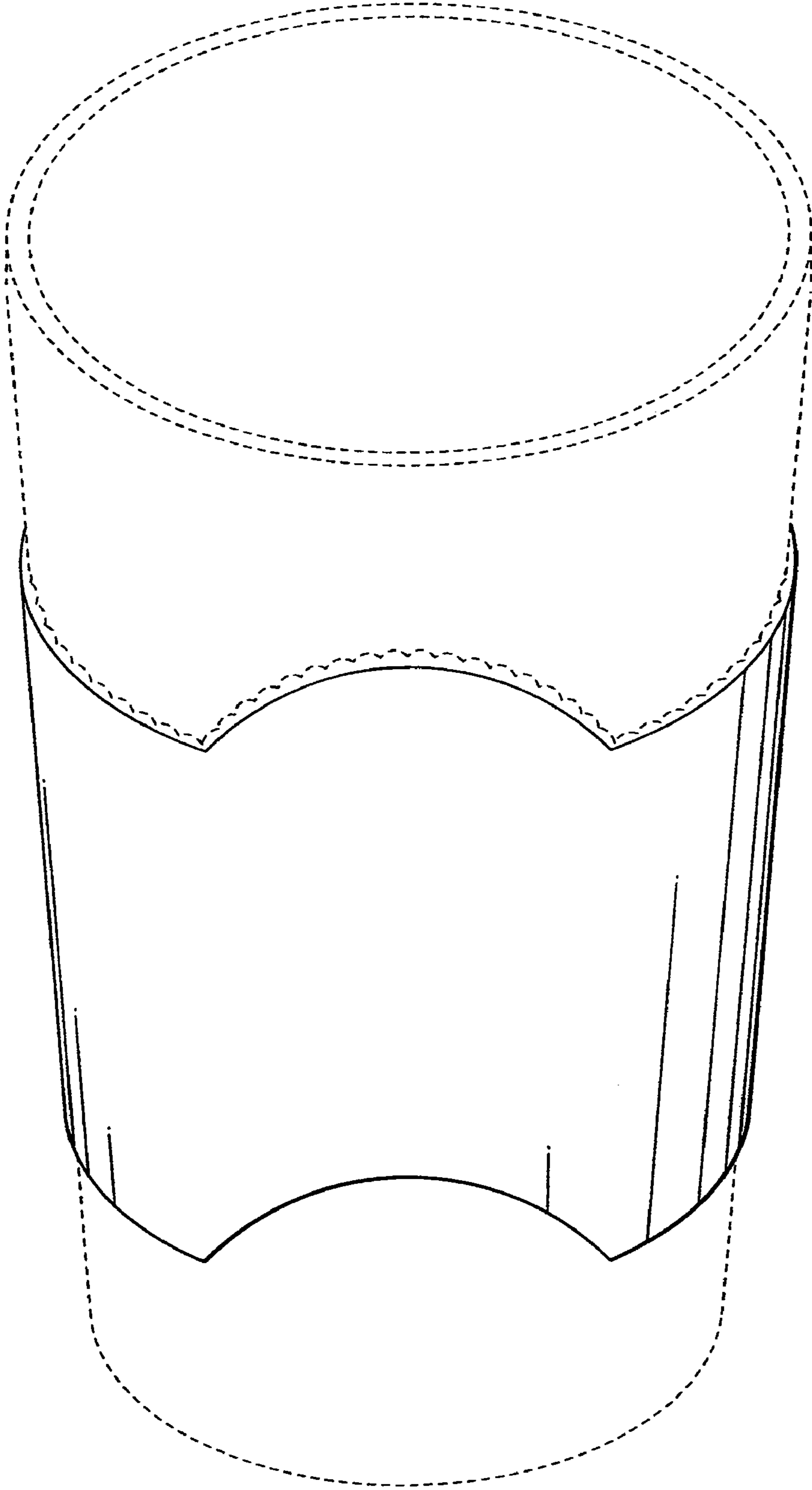


FIG. 1

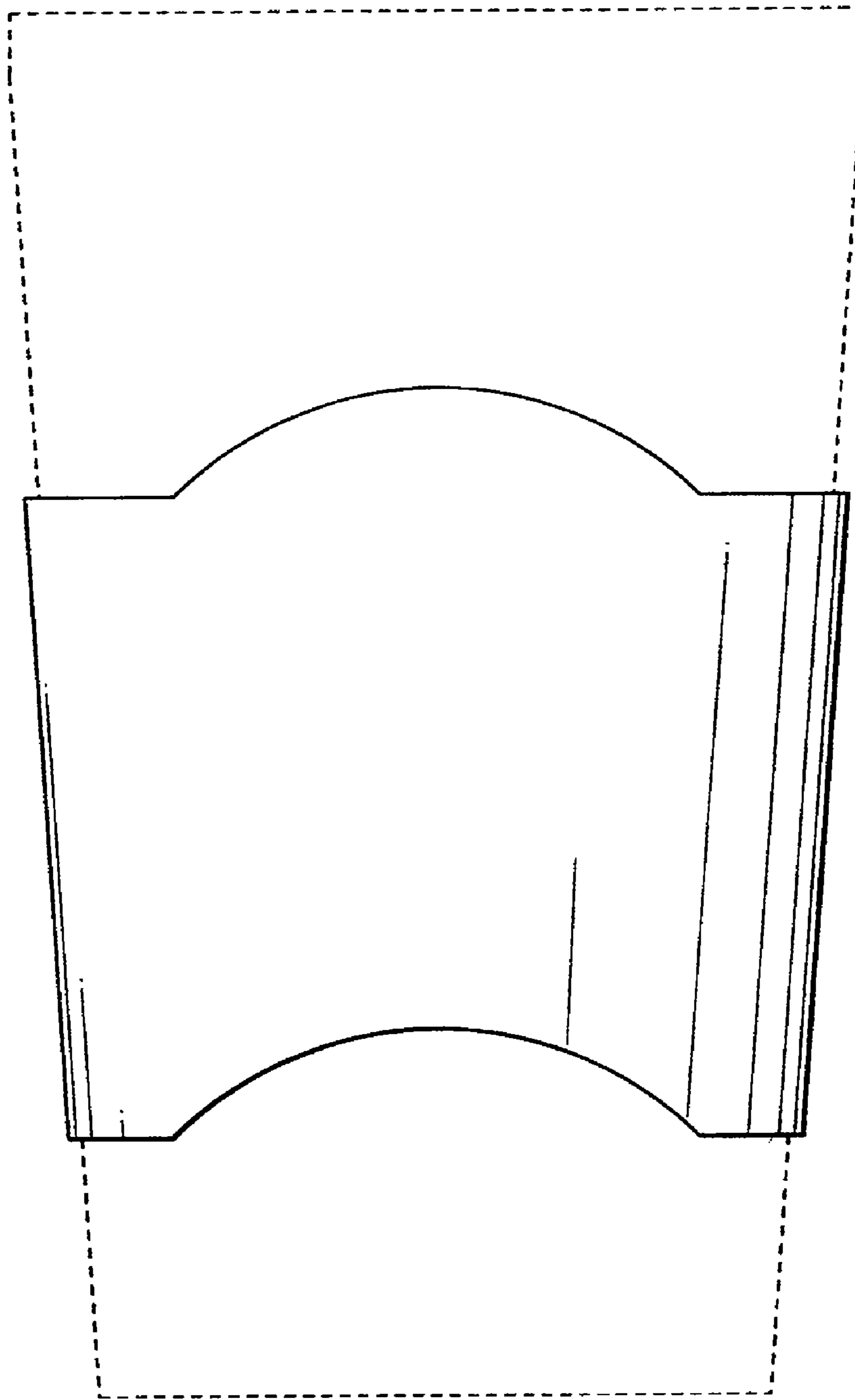


FIG. 2

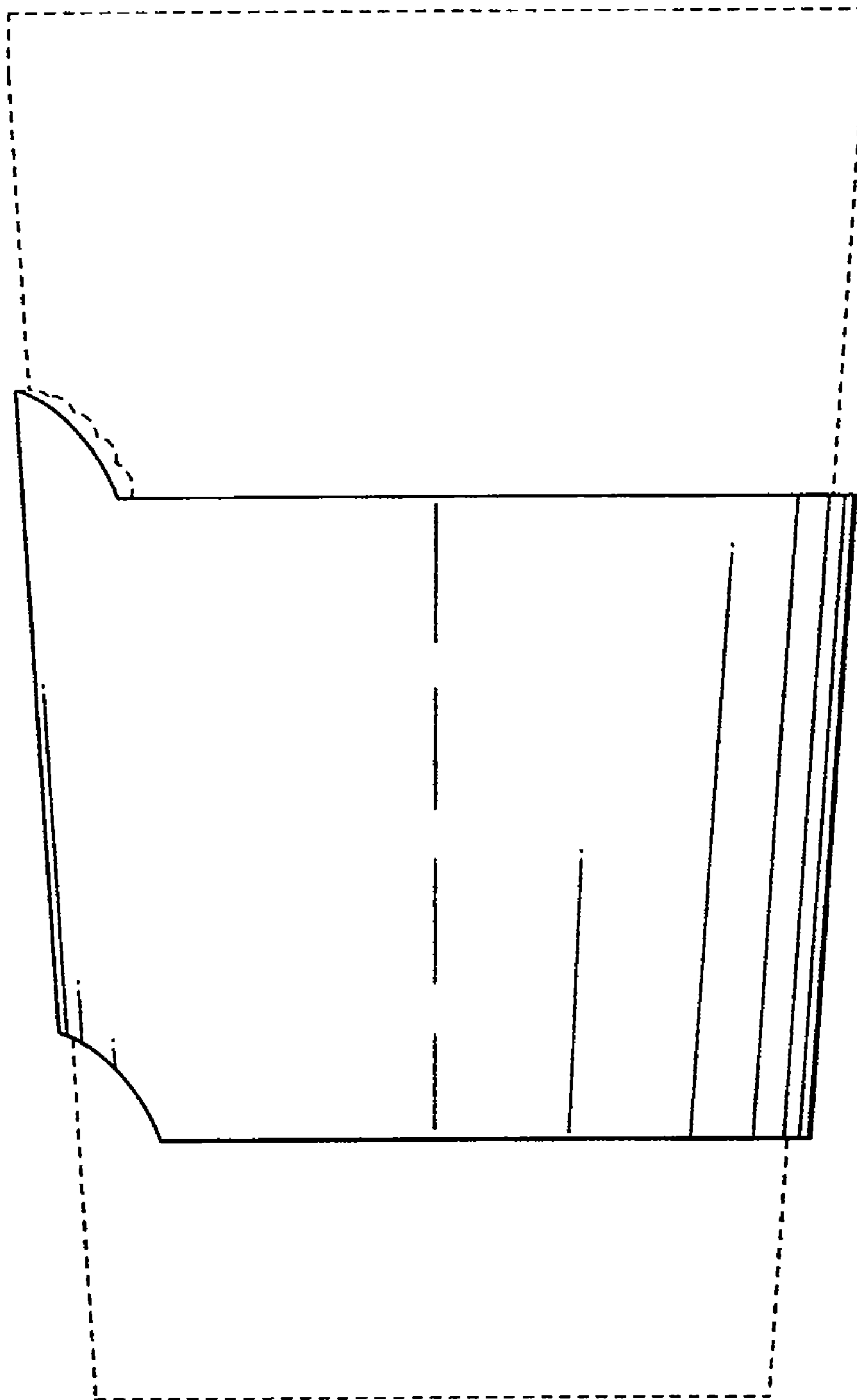


FIG. 3

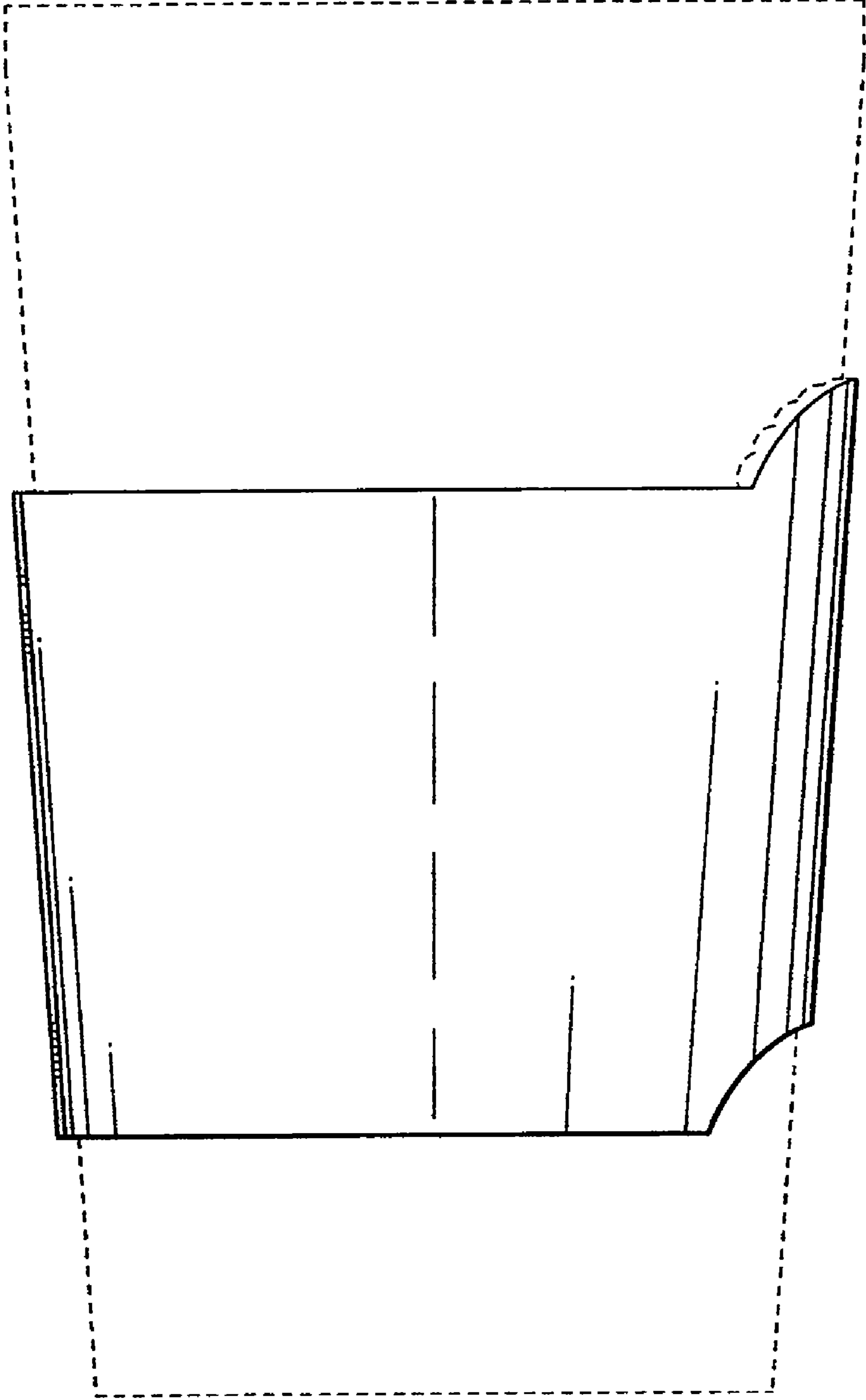


FIG. 4

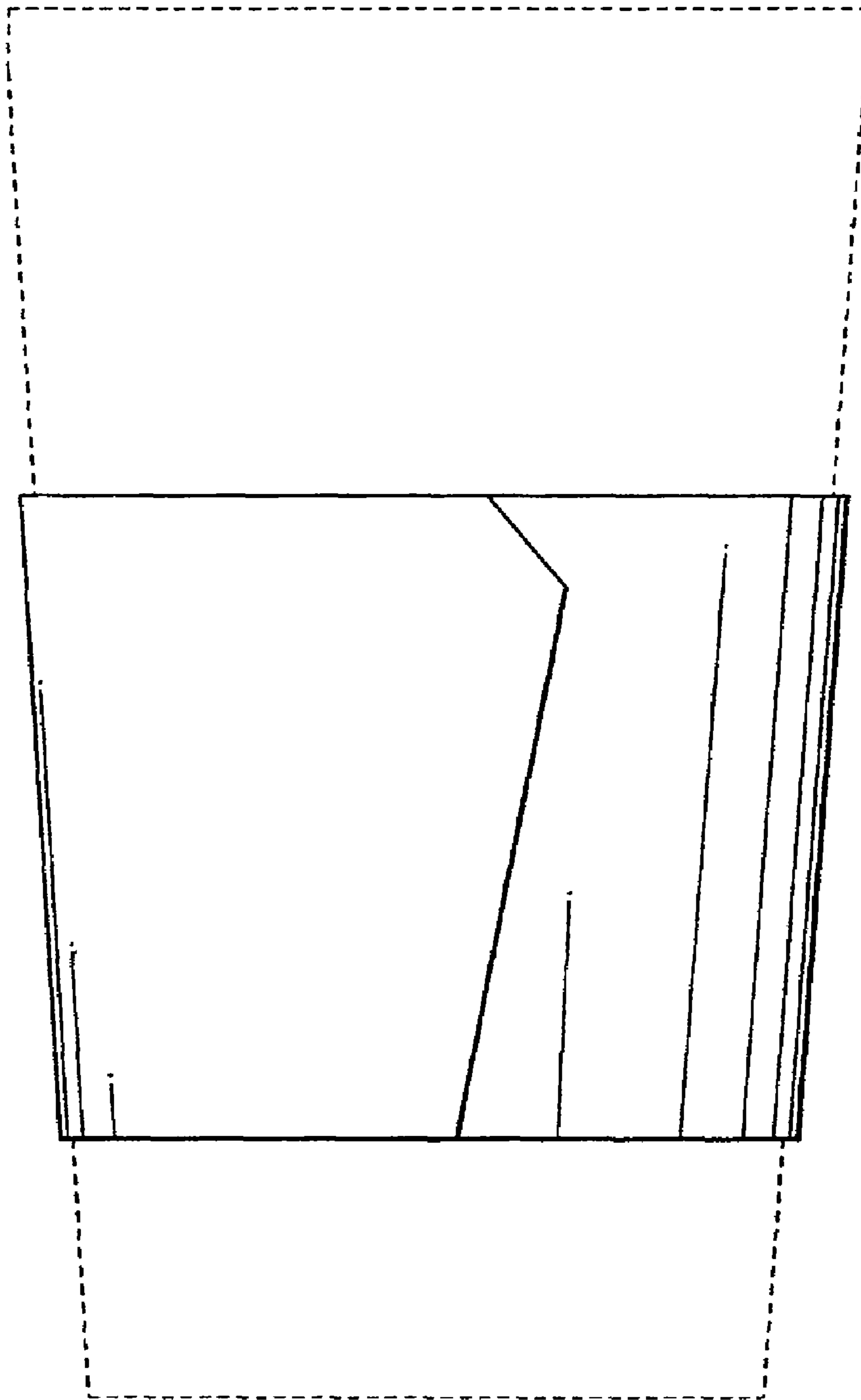


FIG. 5

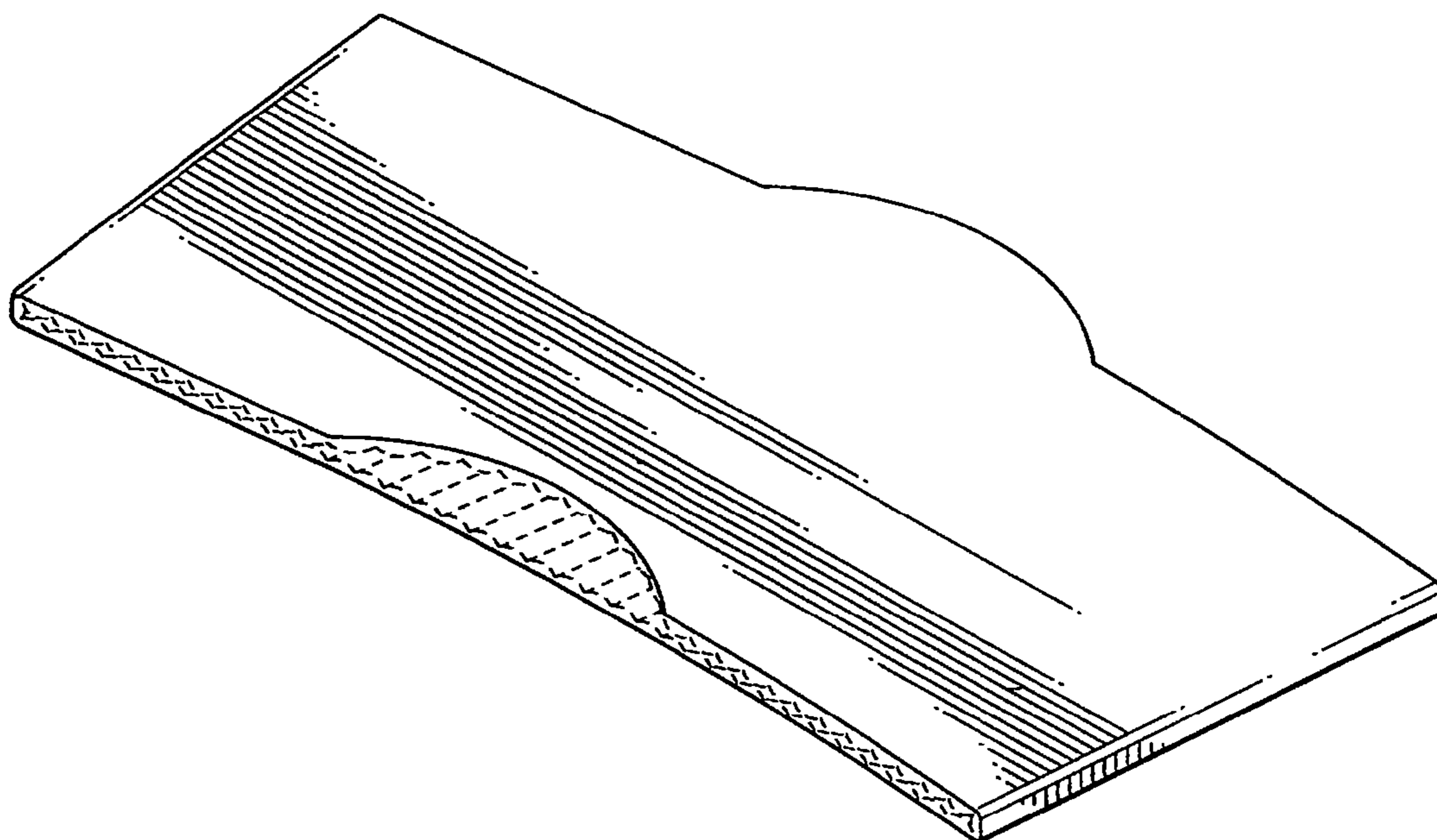


FIG. 6

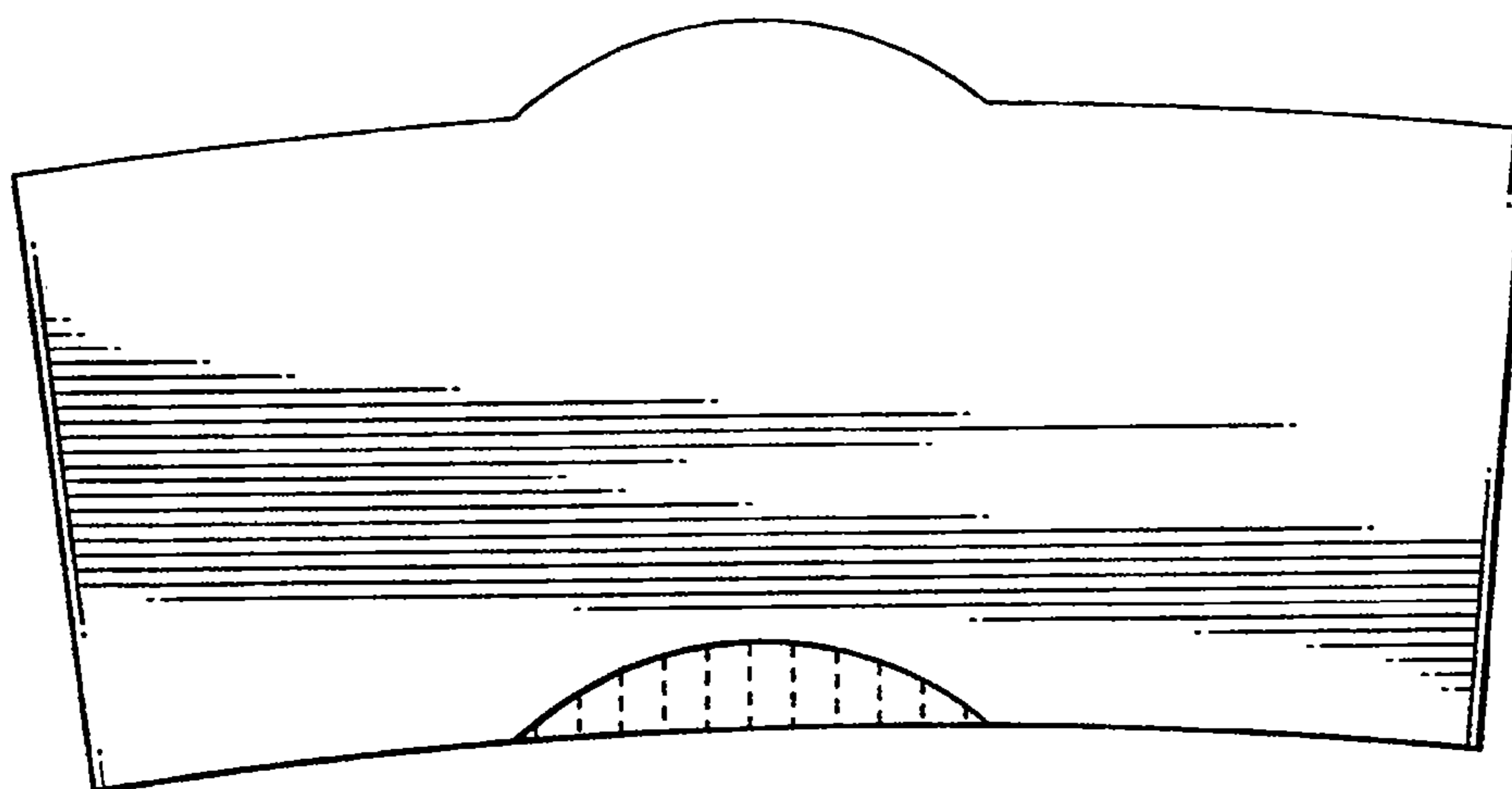


FIG. 7

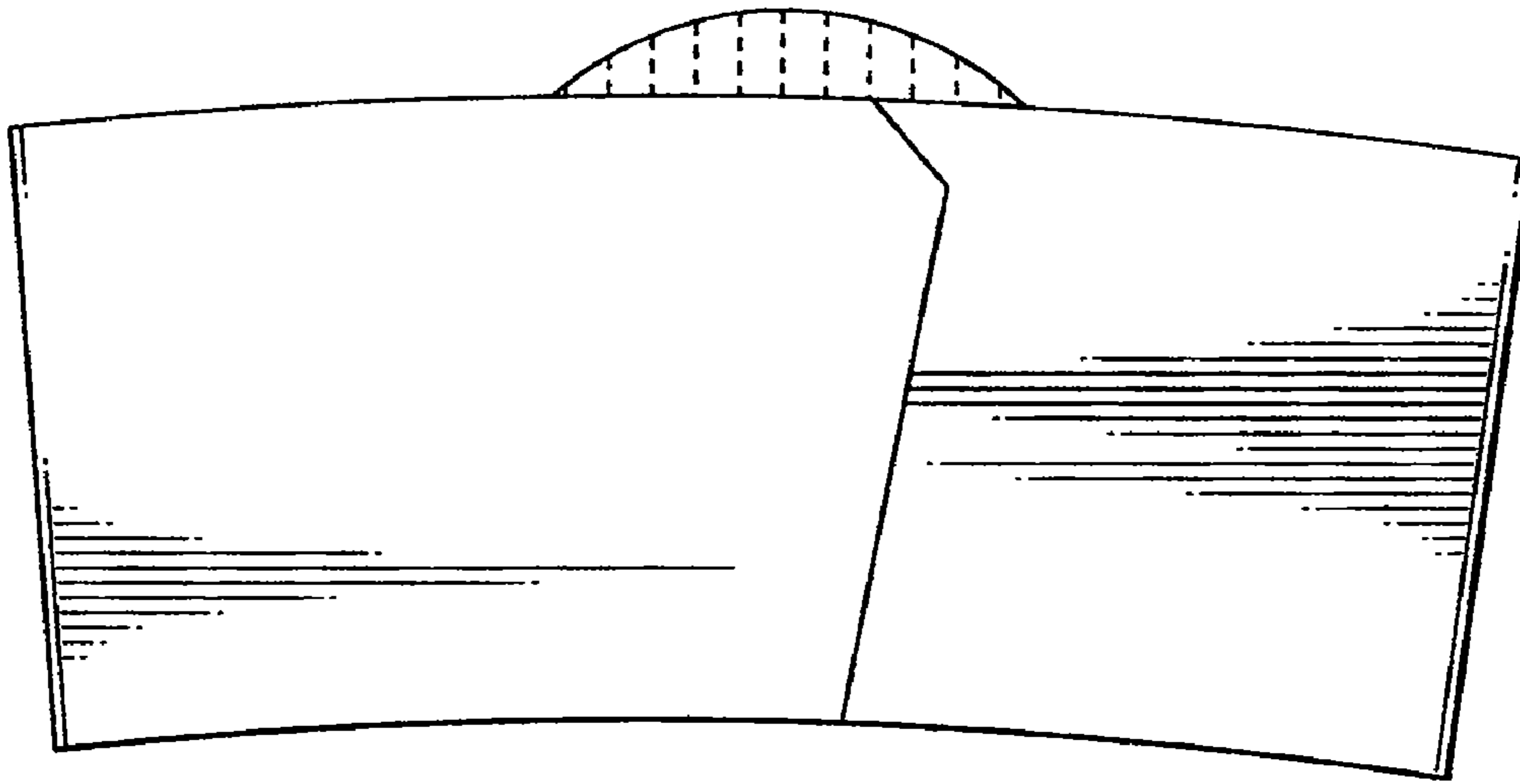


FIG. 8



FIG. 9



FIG. 10



FIG. 11



FIG. 12

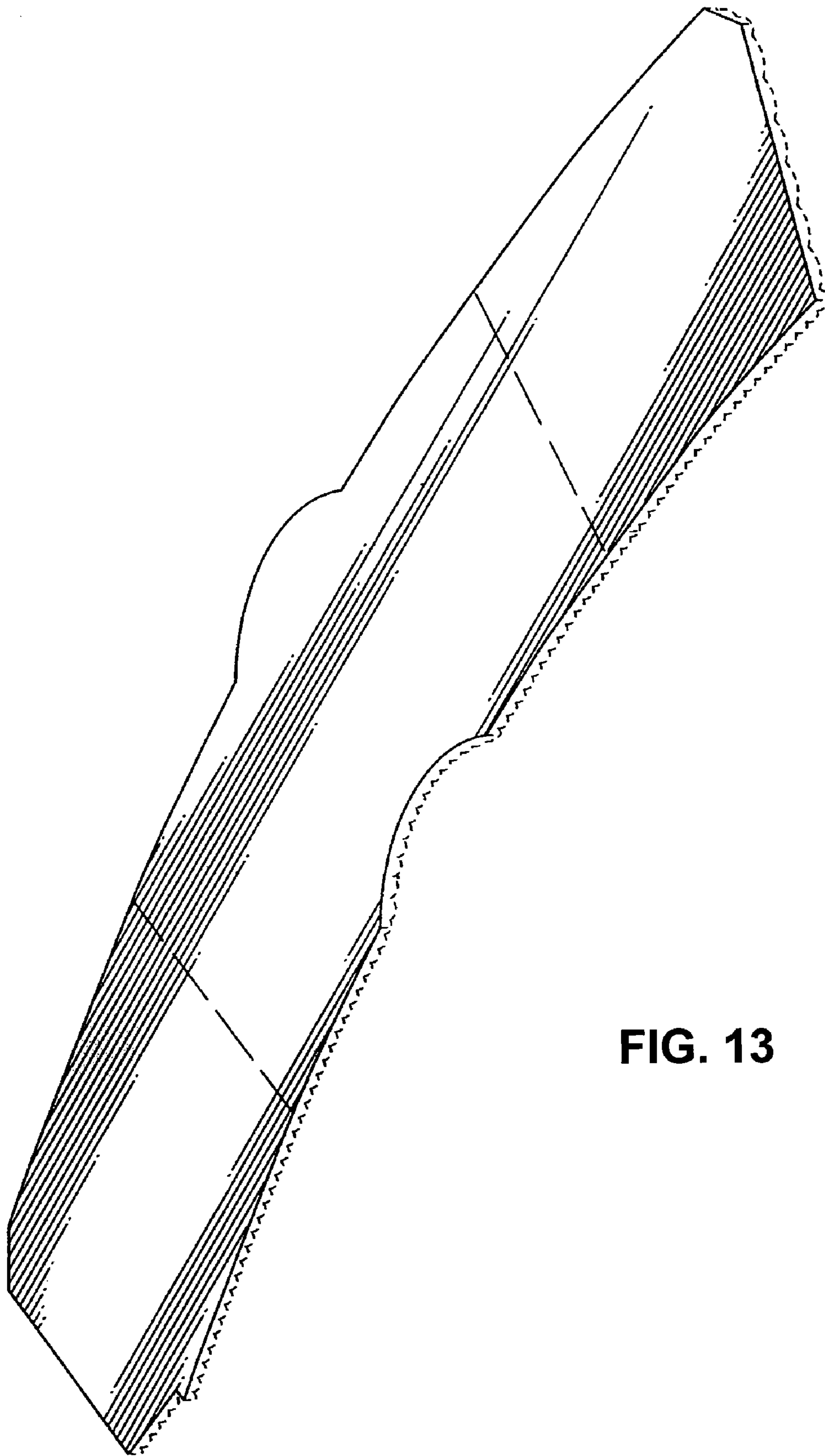


FIG. 13

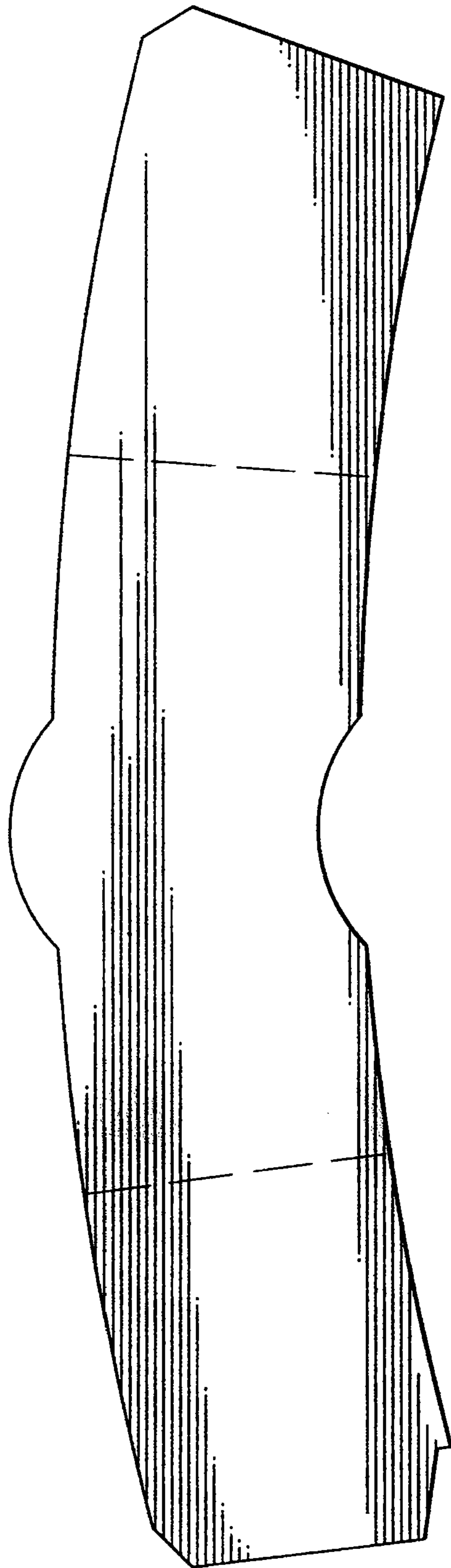


FIG. 14

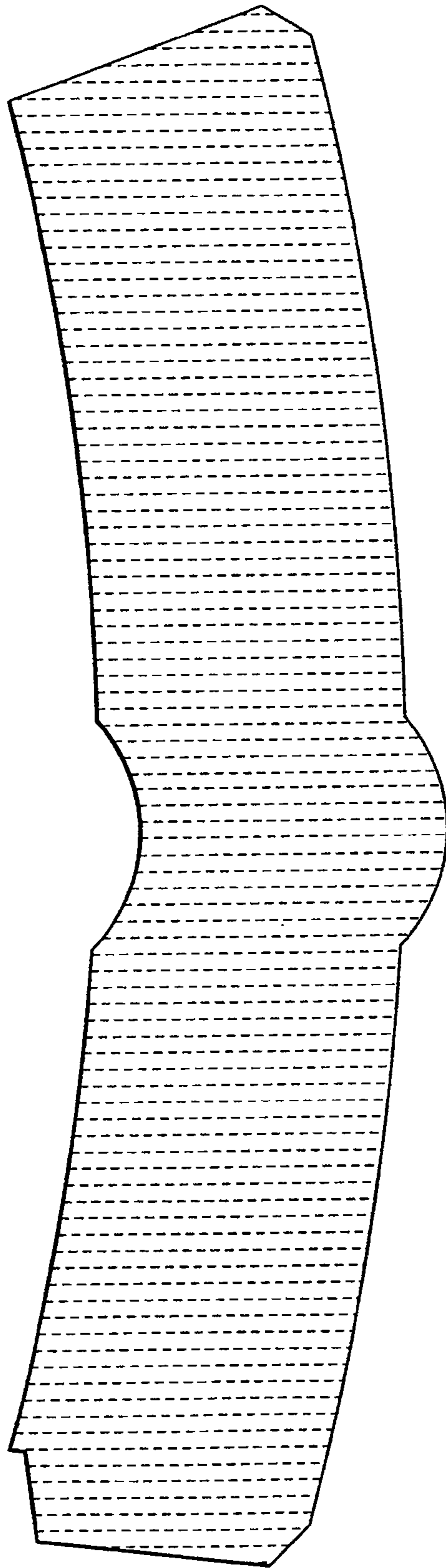


FIG. 15



FIG. 16



FIG. 17



FIG. 18



FIG. 19