



US00D594704S

(12) **United States Design Patent**  
**Loaiza**

(10) **Patent No.:** **US D594,704 S**  
(45) **Date of Patent:** **\*\* Jun. 23, 2009**

(54) **COOKING POT**  
(75) Inventor: **Jorge Loaiza**, Medellin (CO)  
(73) Assignee: **IMUSA, S.A.**, Antioquia (CO)  
(\*\*) Term: **14 Years**  
(21) Appl. No.: **29/322,906**  
(22) Filed: **Aug. 14, 2008**

D535,153 S \* 1/2007 Eide et al. .... D7/542  
D557,551 S \* 12/2007 Tetreault et al. .... D7/354  
D568,108 S \* 5/2008 Levien ..... D7/542  
D577,549 S \* 9/2008 Plante et al. .... D7/542

\* cited by examiner

*Primary Examiner*—Philip S Hyder  
*Assistant Examiner*—Cynthia Underwood  
(74) *Attorney, Agent, or Firm*—McDermott Will & Emery LLP

(51) **LOC (9) Cl.** ..... **07-01**  
(52) **U.S. Cl.** ..... **D7/542; D7/538**  
(58) **Field of Classification Search** ..... D7/547,  
D7/538, 545, 354, 360, 629, 540, 703, 500,  
D7/539, 542–544, 584, 601, 602; D9/504,  
D9/425, 432, 426; 16/225; 220/4.23, 432,  
220/573.1, 574, 495.03, 912, 839; D15/89;  
D28/82

(57) **CLAIM**

The ornamental design for a cooking pot, substantially as shown and described.

See application file for complete search history.

**DESCRIPTION**

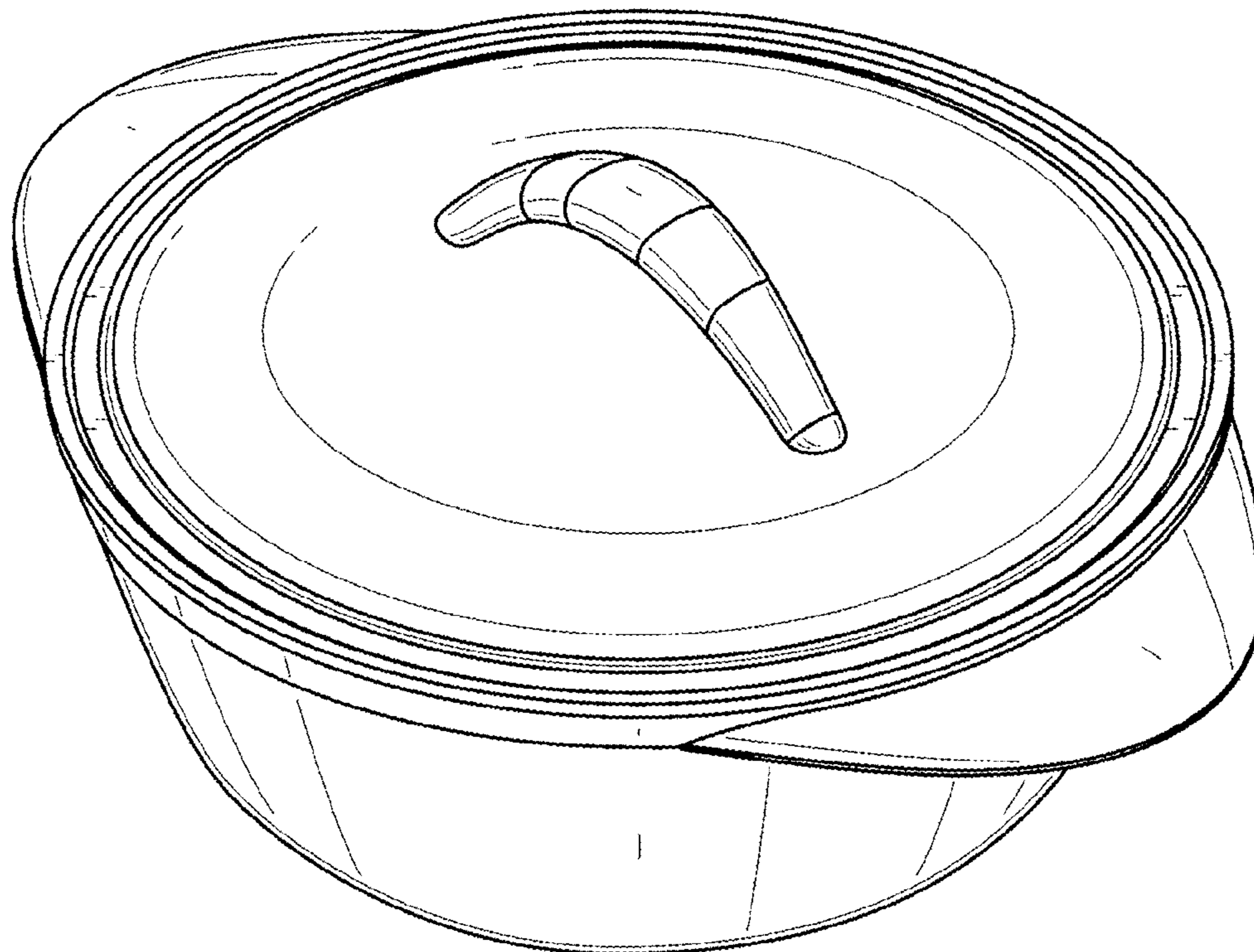
FIG. 1 is a perspective view of the cooking pot of the present invention;  
FIG. 2 is a front view of the cooking pot shown in FIG. 1;  
FIG. 3 is a rear view of the cooking pot shown in FIG. 1;  
FIG. 4 is a left side elevational view of the cooking pot shown in FIG. 1;  
FIG. 5 is a right side elevational view of the cooking pot shown in FIG. 1;  
FIG. 6 is a top view of the cooking pot shown in FIG. 1; and,  
FIG. 7 is a bottom view of the cooking pot shown in FIG. 1.

(56) **References Cited**

**U.S. PATENT DOCUMENTS**

D190,962 S \* 7/1961 Quistgaard ..... D7/542  
D207,594 S \* 5/1967 Aubecq ..... D7/542  
D218,346 S \* 8/1970 Aubecq ..... D7/360  
D228,114 S \* 8/1973 De La Rosa ..... D7/542  
5,065,889 A \* 11/1991 Conti ..... 220/360  
D431,420 S \* 10/2000 Susta ..... D7/545  
D453,283 S \* 2/2002 Terracciano ..... D7/608  
D477,970 S \* 8/2003 Thonis ..... D7/542

**1 Claim, 4 Drawing Sheets**



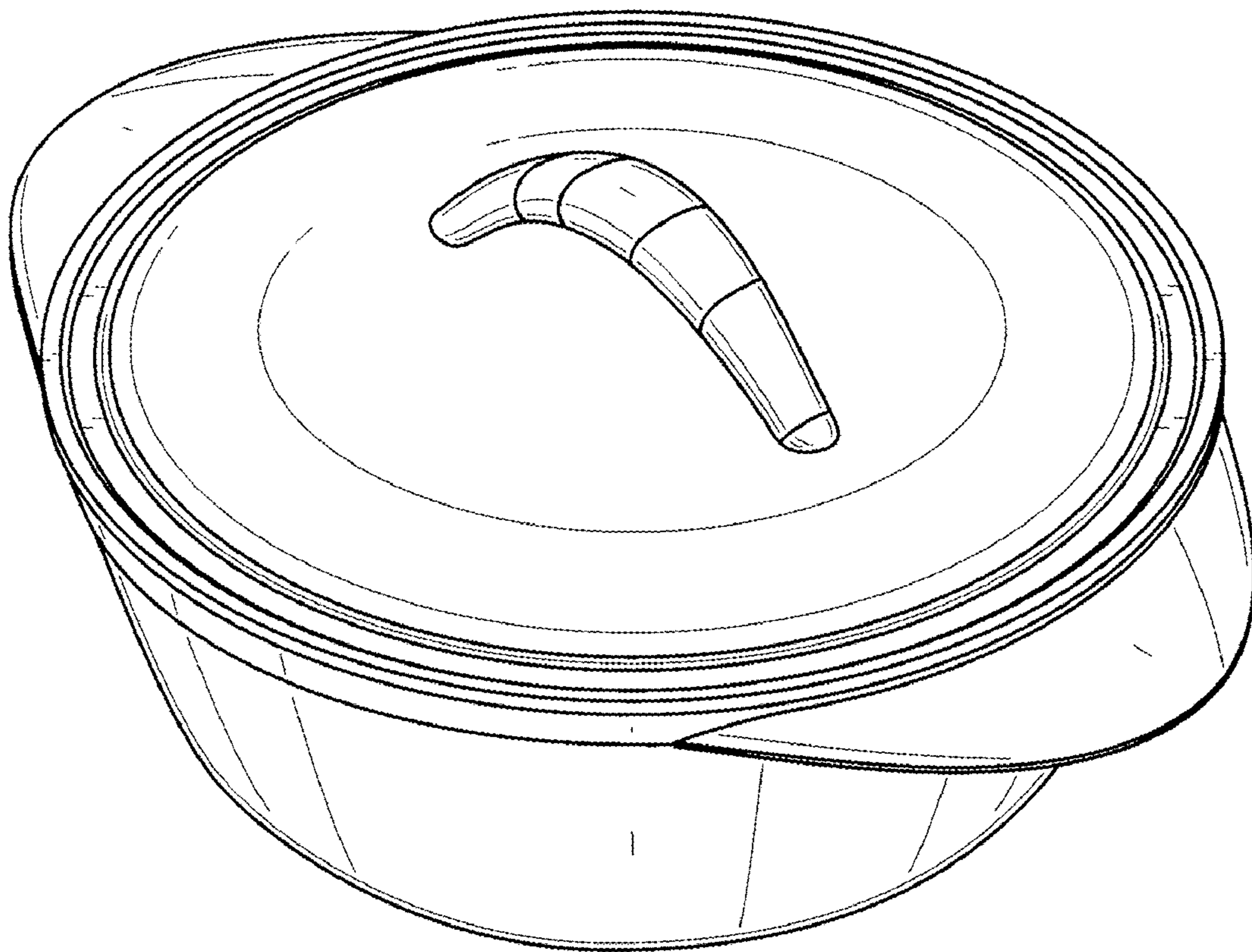


FIG. 1

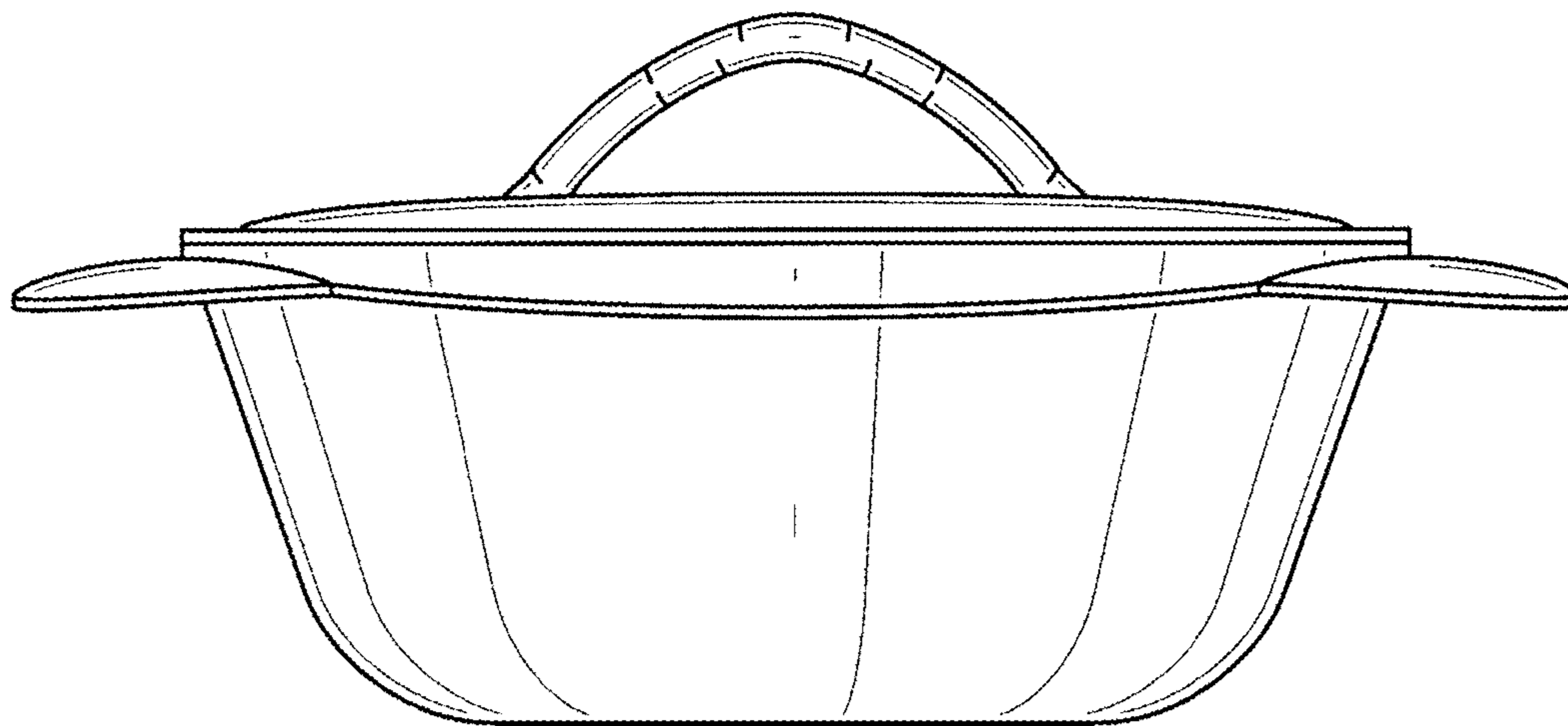


FIG. 2

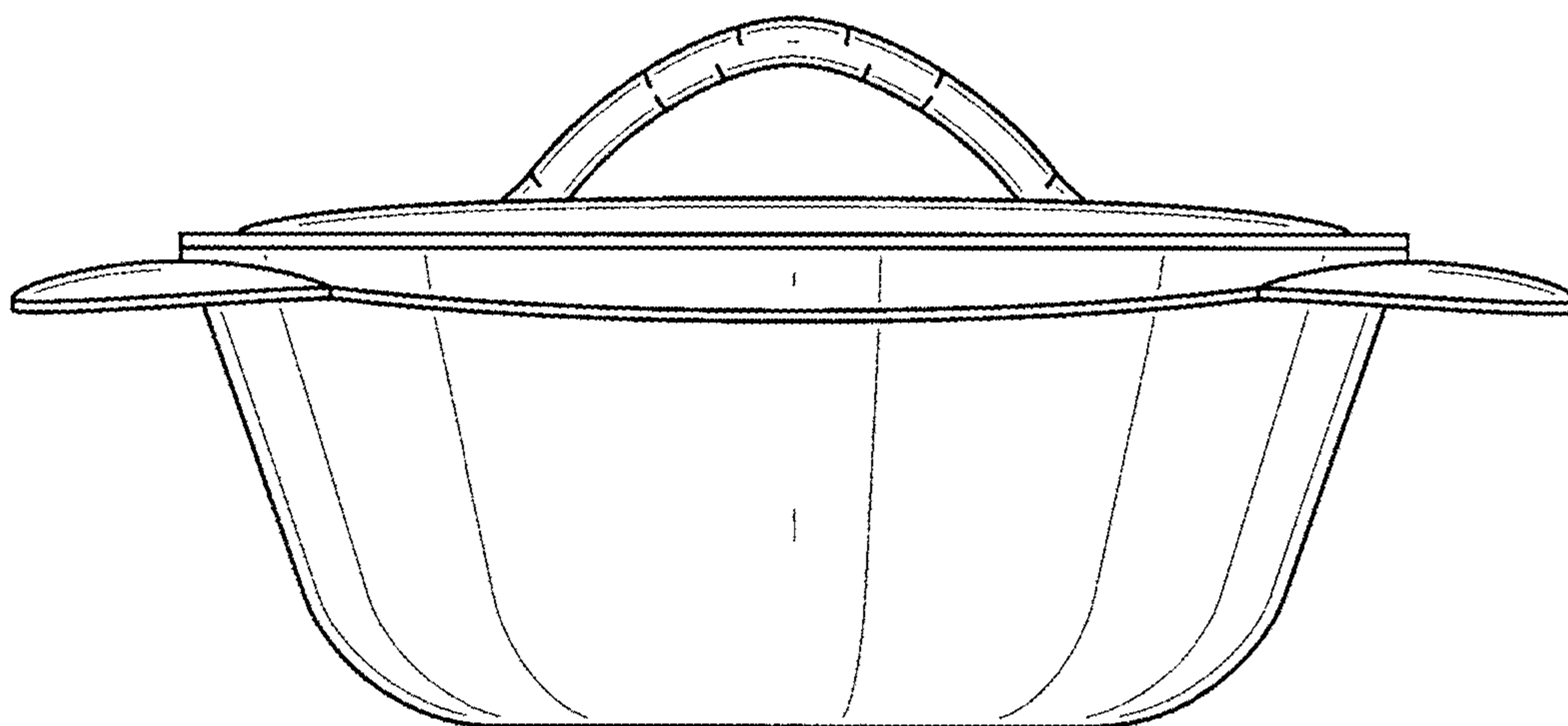


FIG. 3

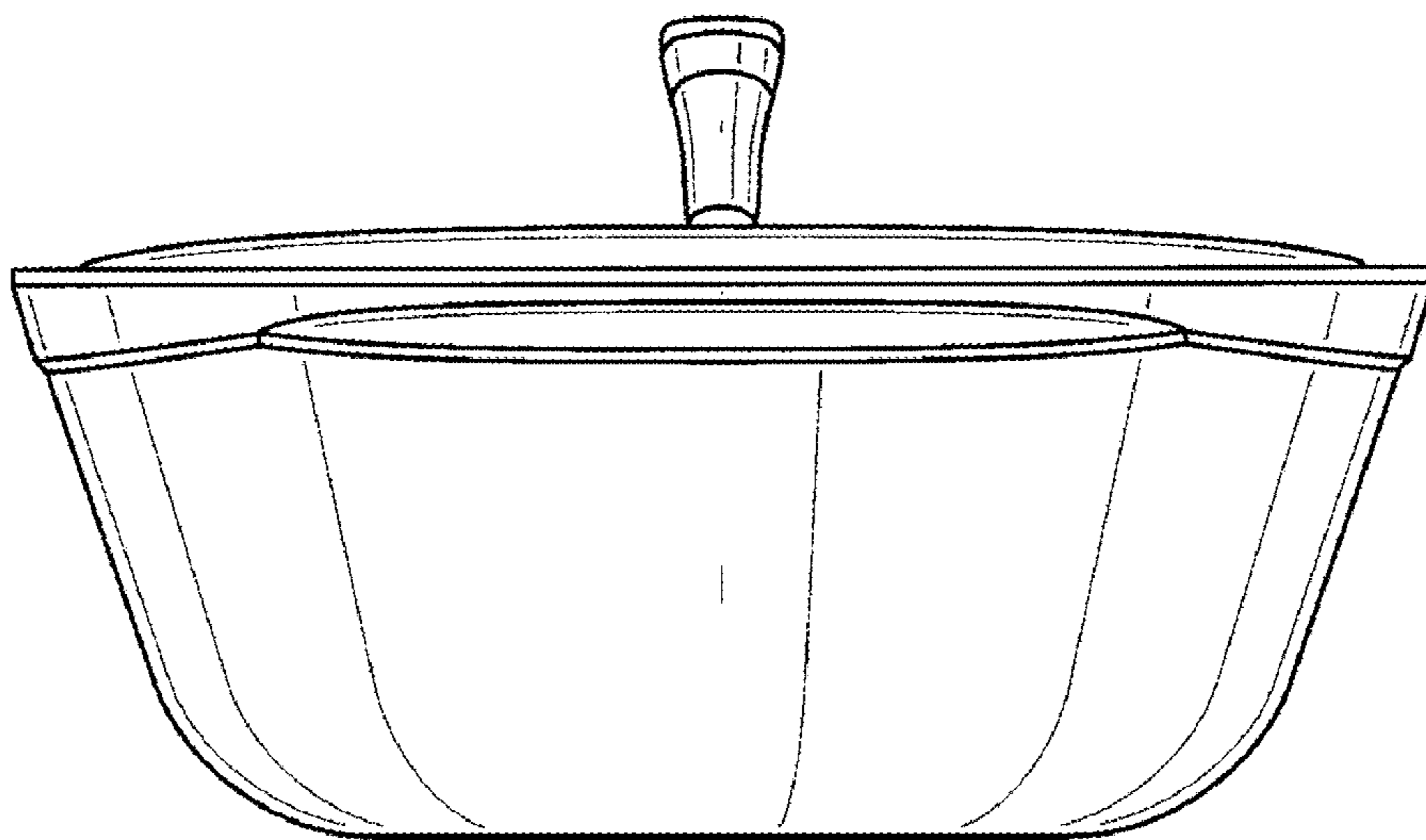


FIG. 4

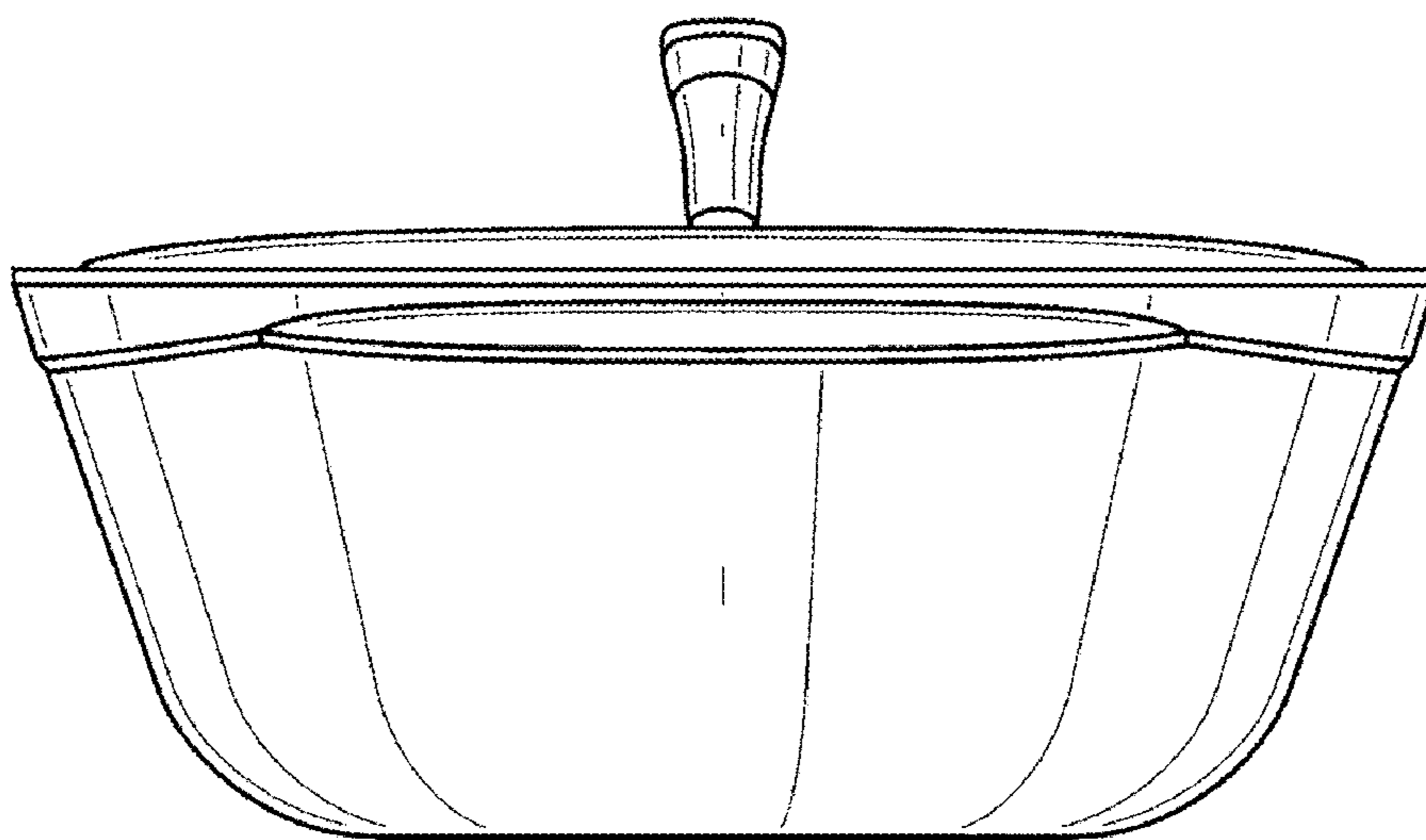


FIG. 5

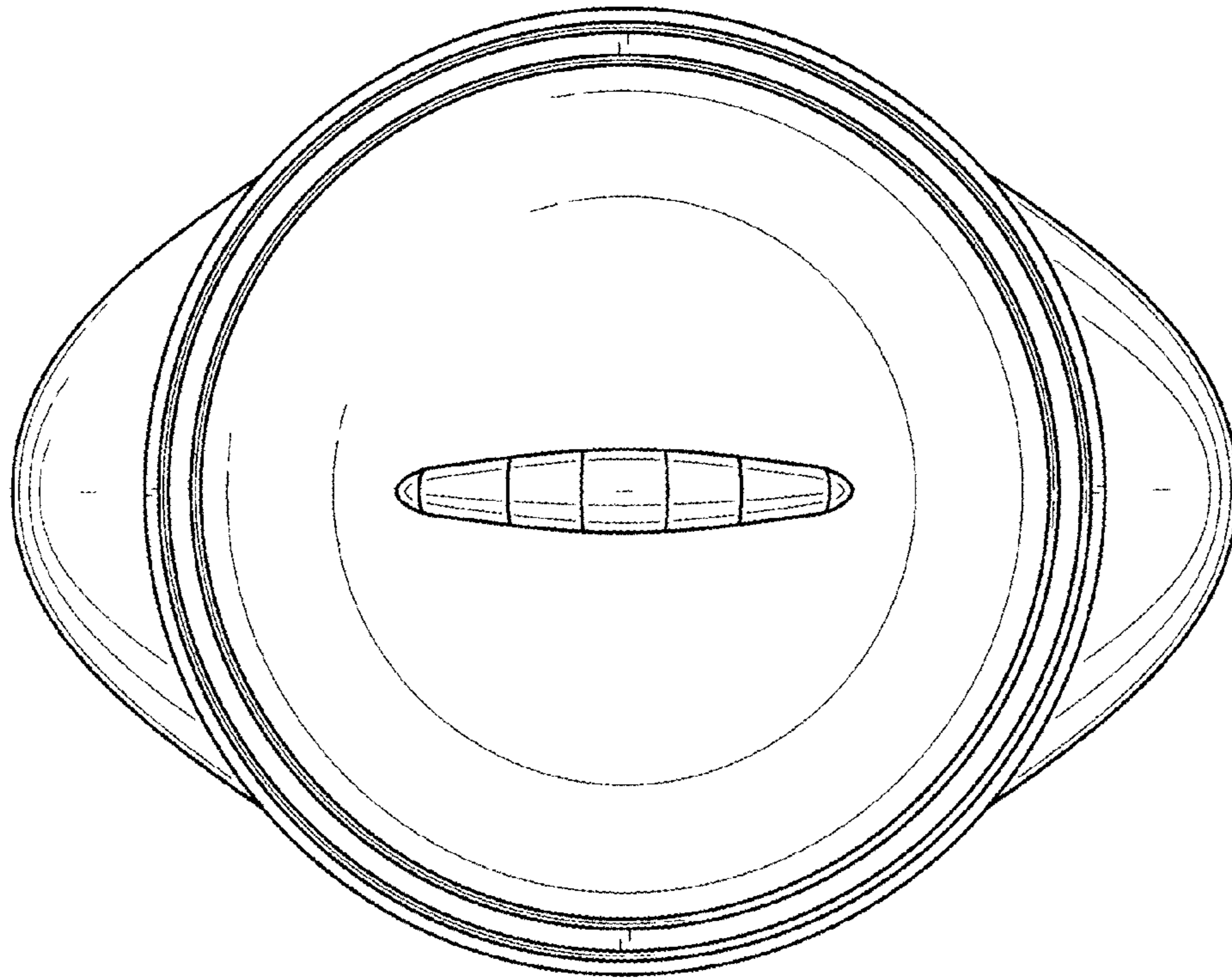


FIG. 6

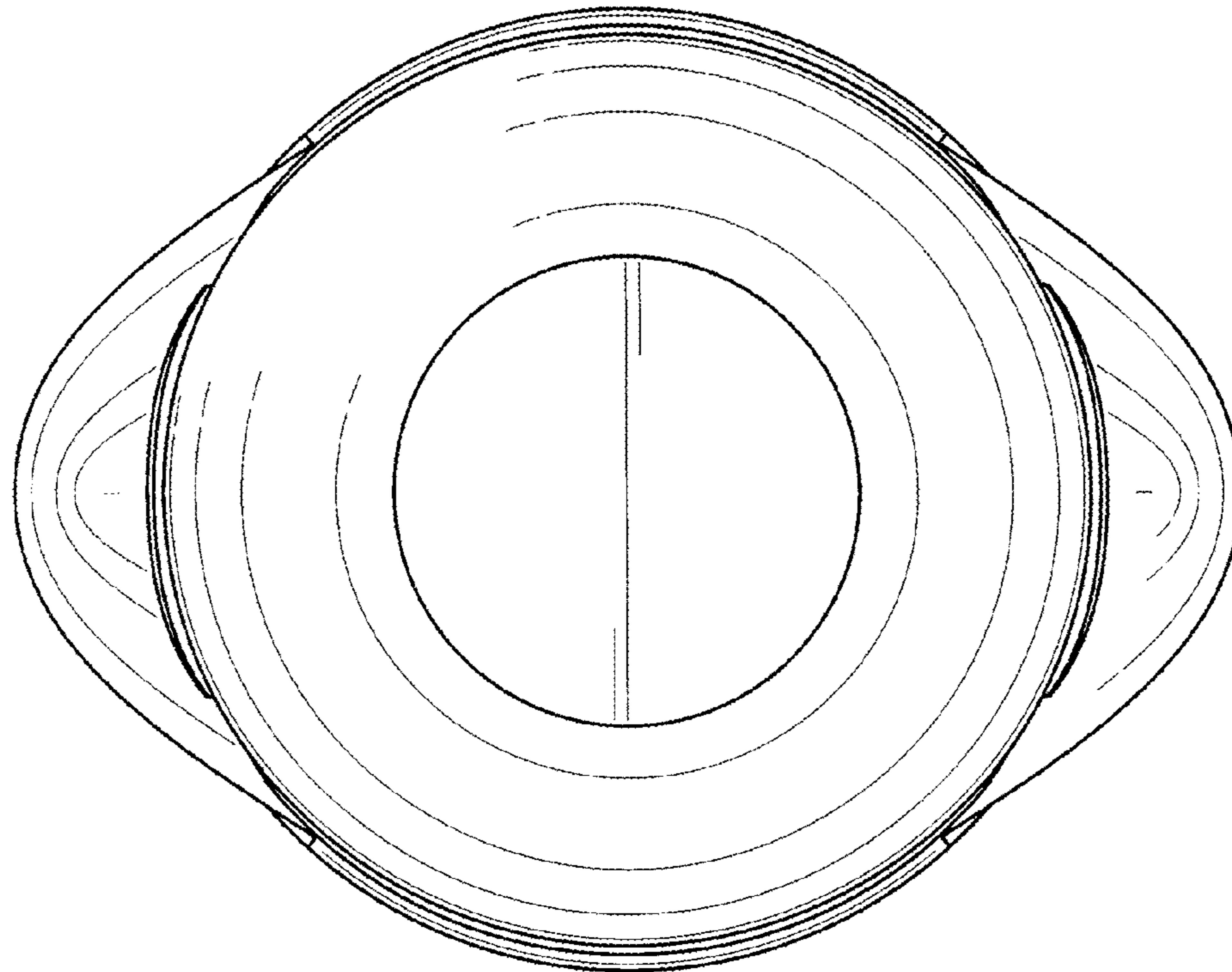


FIG. 7