



US00D594699S

(12) **United States Design Patent**  
**Spivey et al.**

(10) **Patent No.:** **US D594,699 S**  
(45) **Date of Patent:** **\*\* Jun. 23, 2009**

(54) **MUG**

(75) Inventors: **Patrick Spivey**, Clarkston, GA (US);  
**Kenneth C. Kreaflle**, Atlanta, GA (US)

(73) Assignee: **Base Brands, LLC**, Atlanta, GA (US)

(\*\*) Term: **14 Years**

(21) Appl. No.: **29/283,377**

(22) Filed: **Aug. 13, 2007**

(51) **LOC (9) Cl.** ..... **07-01**

(52) **U.S. Cl.** ..... **D7/510; D7/511; D7/536**

(58) **Field of Classification Search** ..... **D7/507,**  
**D7/509, 533, 536, 510, 511; 248/37.6; 215/383;**  
**220/705, 710, 713, 710.5, 735, 703, 612;**  
**206/520, 217; 229/400**

See application file for complete search history.

(56) **References Cited**

**U.S. PATENT DOCUMENTS**

D70,369 S *	6/1926	Johnson	.....	D7/536
D198,303 S *	5/1964	Dewinter	.....	D7/413
D232,901 S *	9/1974	Bell	.....	D7/605
D267,140 S *	12/1982	Thompson	.....	D7/531
D293,293 S *	12/1987	Isles	.....	D7/396.6
5,531,353 A *	7/1996	Ward et al.	.....	220/729
D396,381 S *	7/1998	Chung	.....	D7/510
D427,853 S *	7/2000	Kohlhase	.....	D7/510
D428,306 S *	7/2000	Lee	.....	D7/510
D433,877 S *	11/2000	Bickert et al.	.....	D7/536
D473,105 S *	4/2003	Ayers et al.	.....	D7/536
D486,997 S *	2/2004	Janky	.....	D7/531
D490,654 S *	6/2004	Allen et al.	.....	D7/515

D493,068 S *	7/2004	Slater et al.	.....	D7/510
D507,458 S *	7/2005	Allen et al.	.....	D7/532
D519,786 S *	5/2006	Betras	.....	D7/523
D530,981 S *	10/2006	Bin	.....	D7/510
D531,454 S *	11/2006	Zerillo et al.	.....	D7/533
D547,613 S *	7/2007	Hise et al.	.....	D7/536
D550,038 S *	9/2007	Trombly	.....	D7/523
D551,895 S *	10/2007	Allen et al.	.....	D7/313
D559,040 S *	1/2008	Freeman	.....	D7/523

\* cited by examiner

*Primary Examiner*—Marianne Pandozzi

(74) *Attorney, Agent, or Firm*—Wong, Cabello, Lutsch, Rutherford & Brucculeri, LLP

(57) **CLAIM**

The ornamental design for a mug, as shown and described.

**DESCRIPTION**

FIG. 1 is a perspective view of a mug according to our new design;

FIG. 2 is a top plan view of the mug shown in FIG. 1;

FIG. 3 is a front elevational view of the mug shown in FIG. 1;

FIG. 4 is a rear elevational view of the mug shown in FIG. 1;

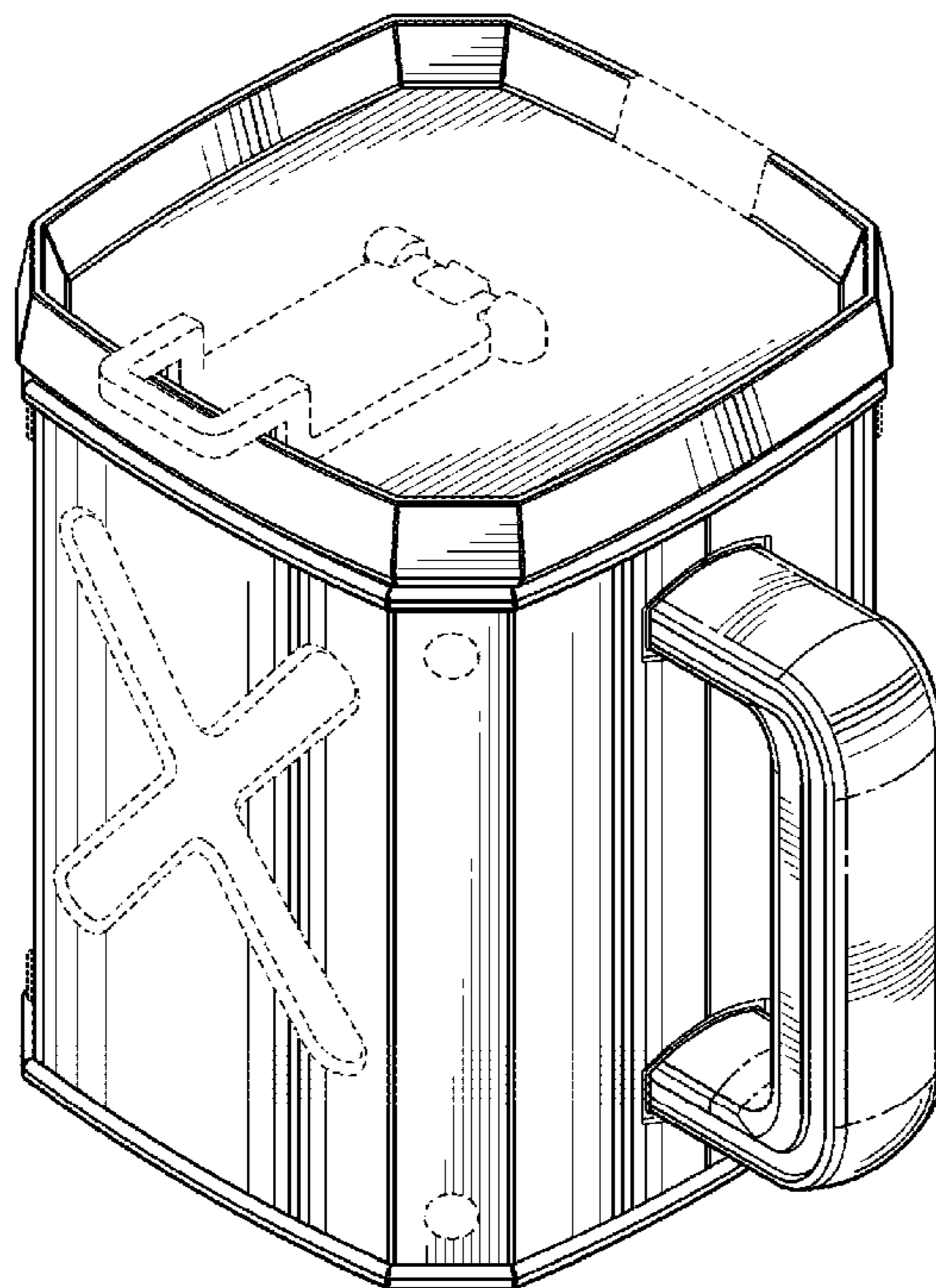
FIG. 5 is a left side elevational view of the mug shown in FIG. 1;

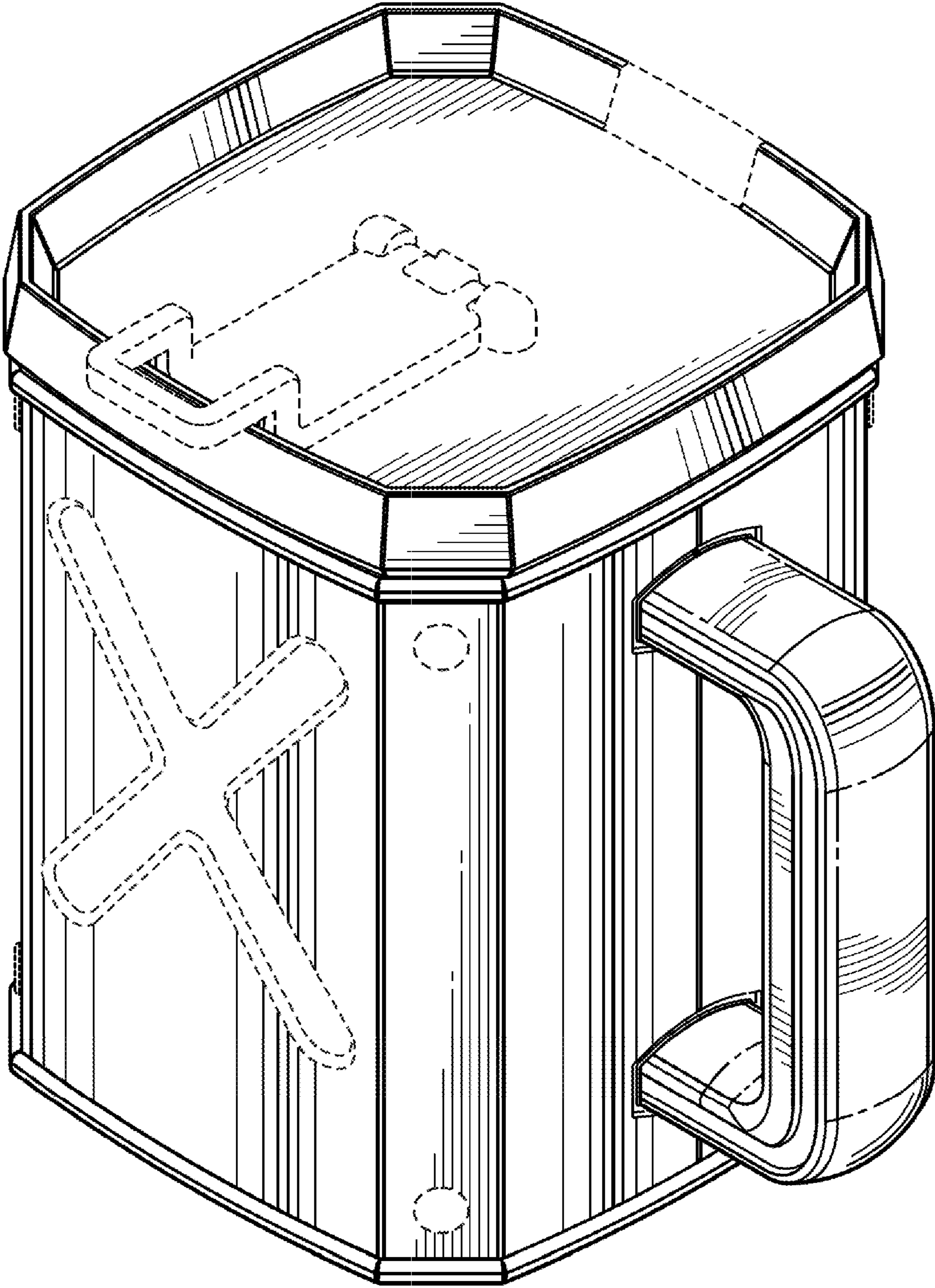
FIG. 6 is a right side elevational view of the mug shown in FIG. 1; and,

FIG. 7 is a bottom plan view of the mug shown in FIG. 1.

The broken lines showing in FIGS. 1–7 are for illustrative purposes only and form no part of the claimed design.

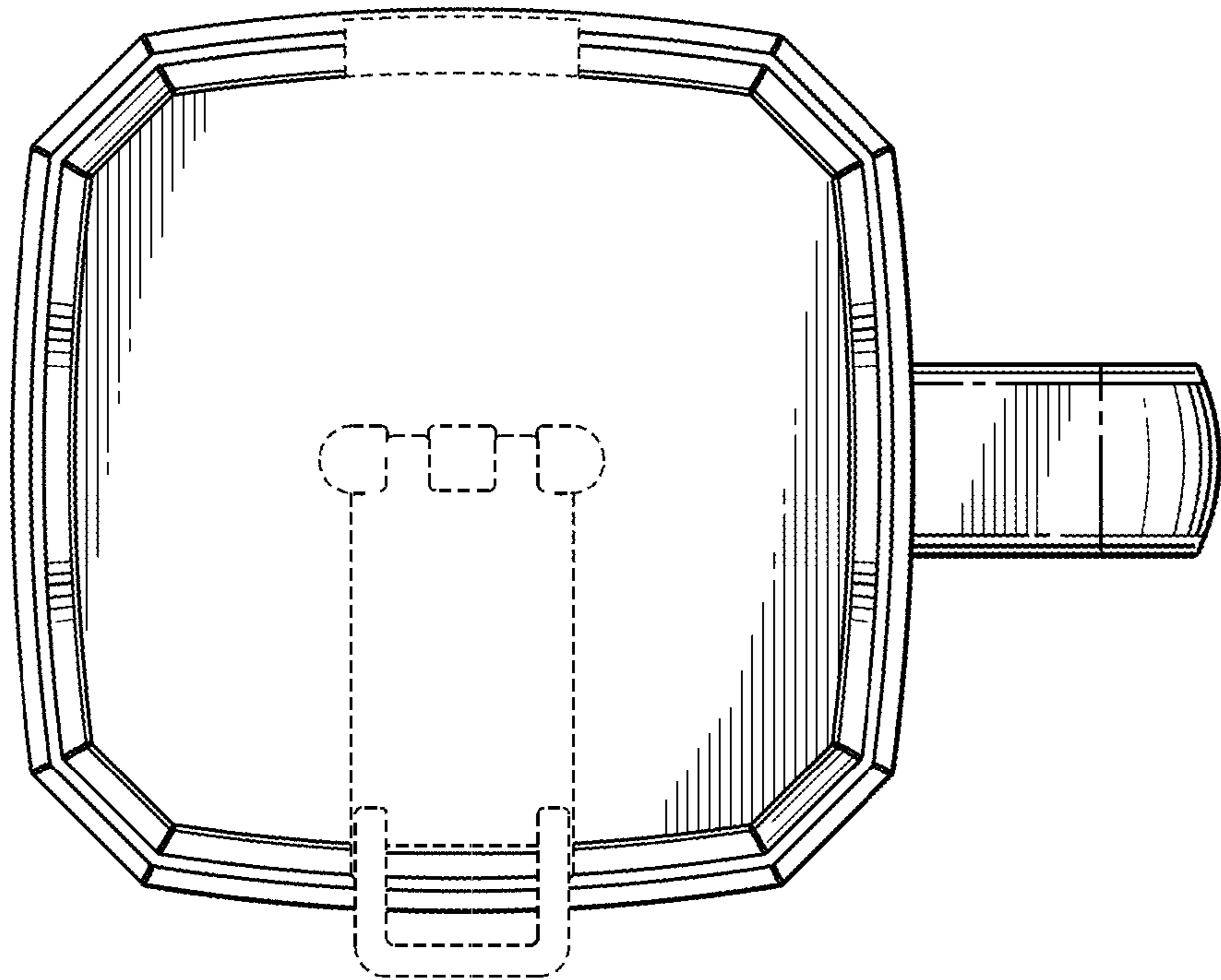
**1 Claim, 4 Drawing Sheets**



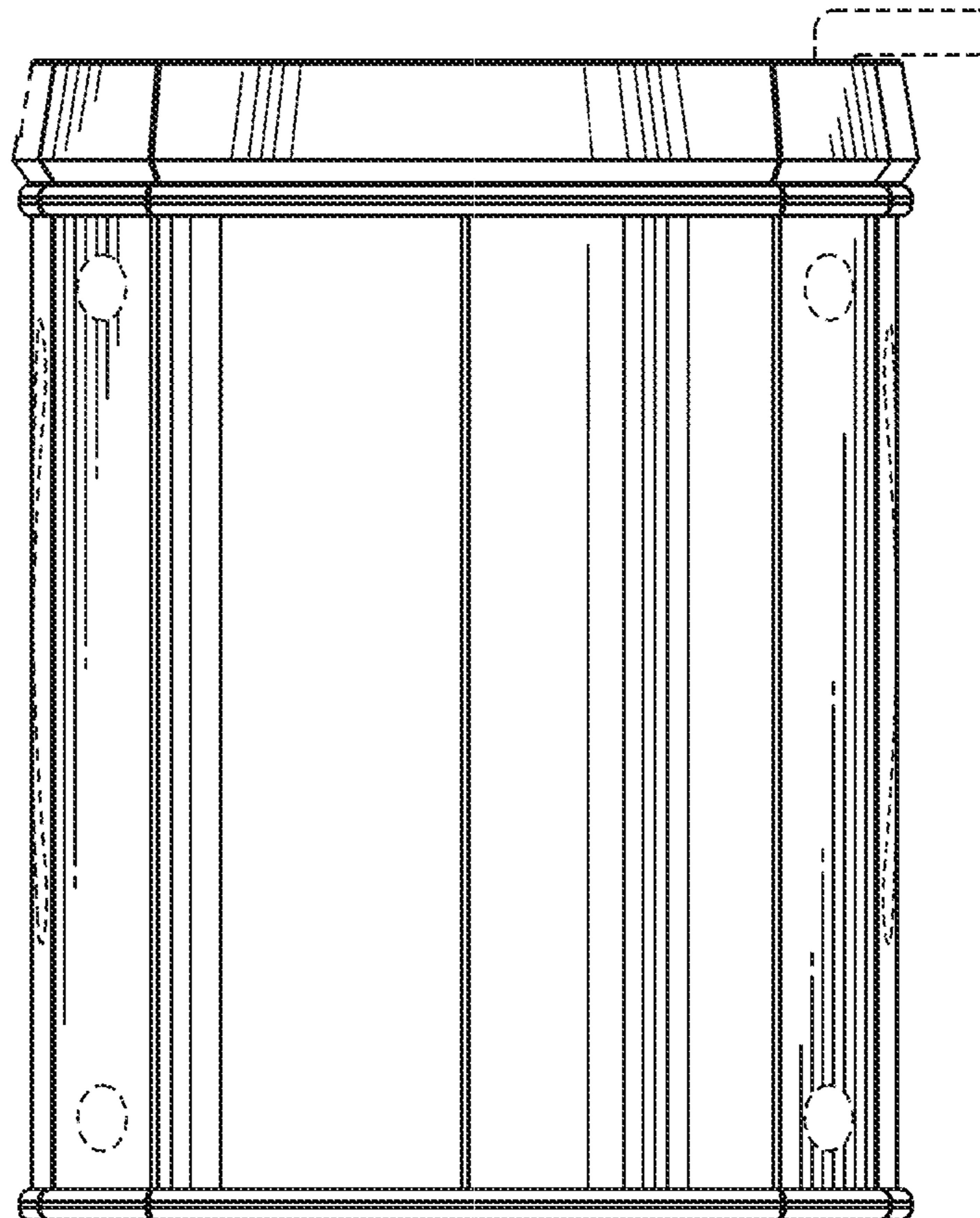


**FIG. 1**

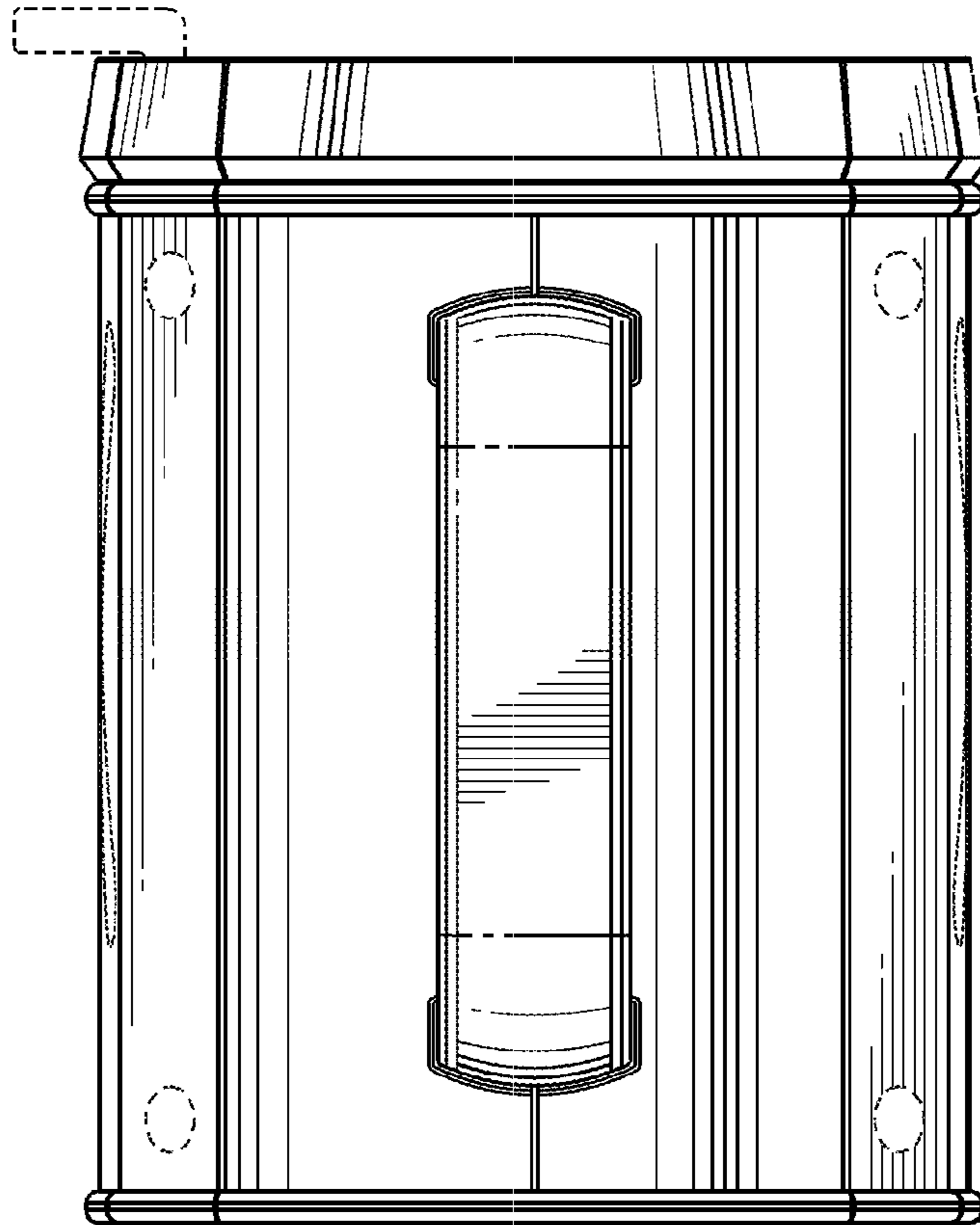
**FIG. 2**



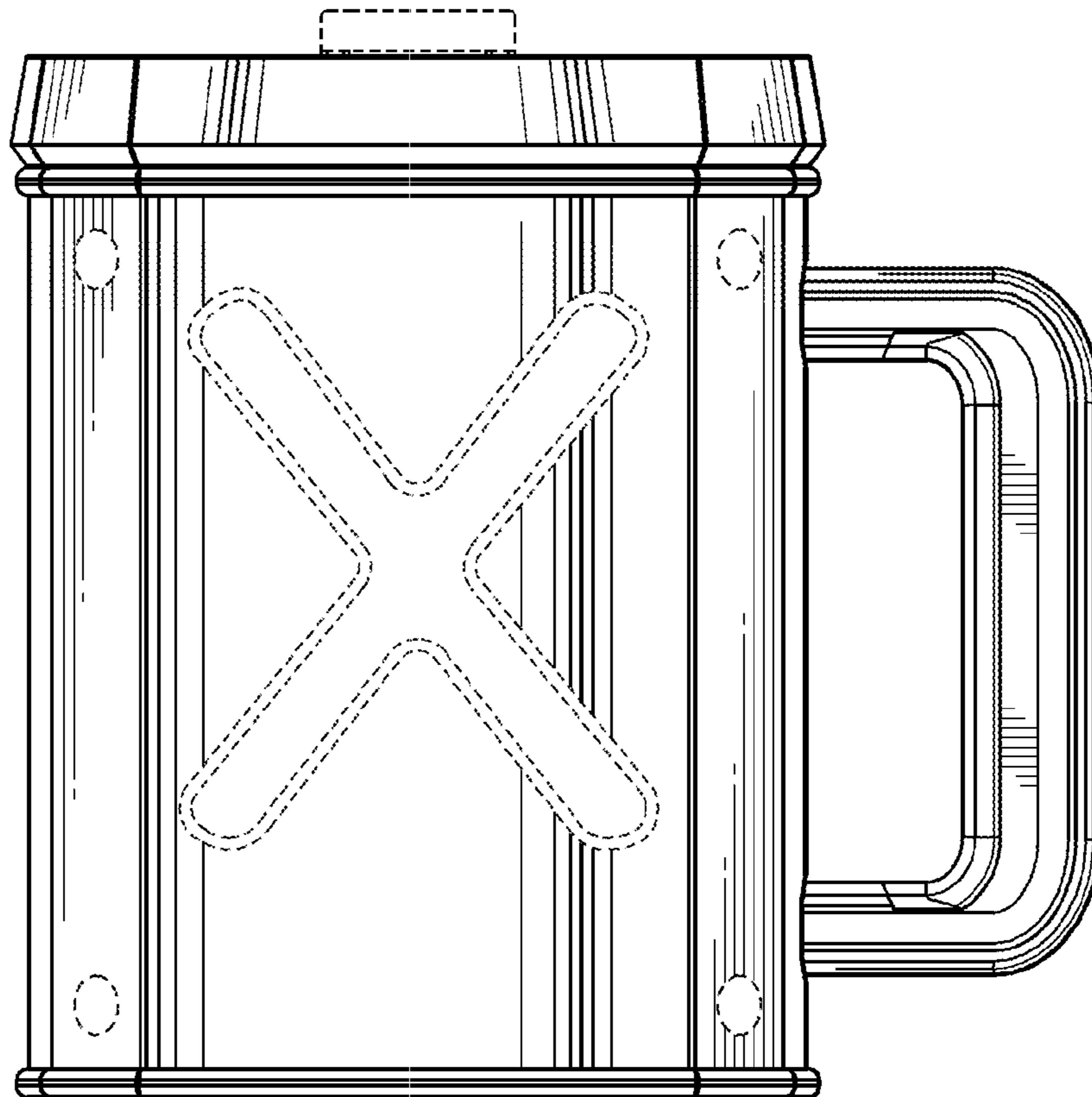
**FIG. 3**

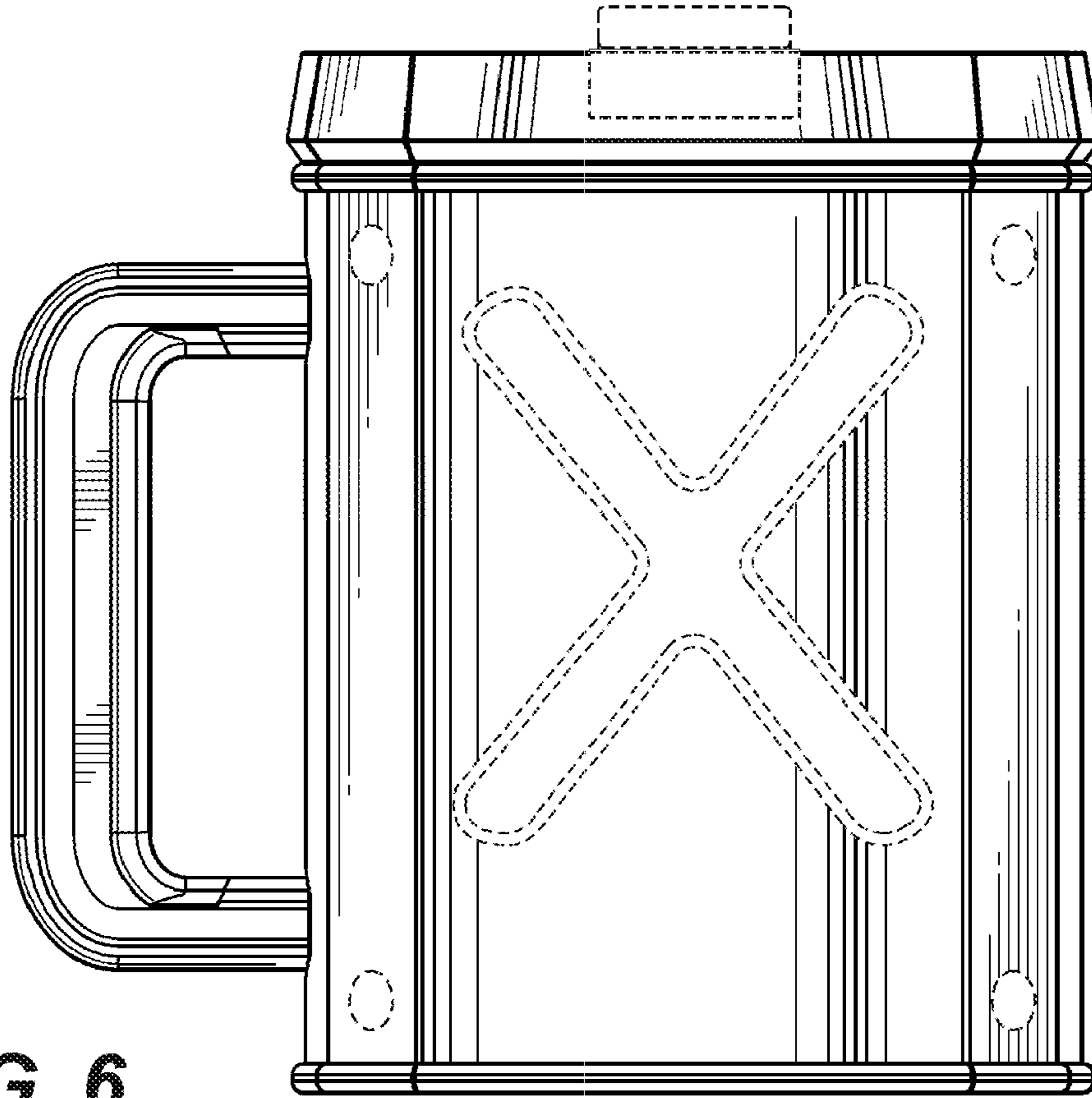


**FIG. 4**

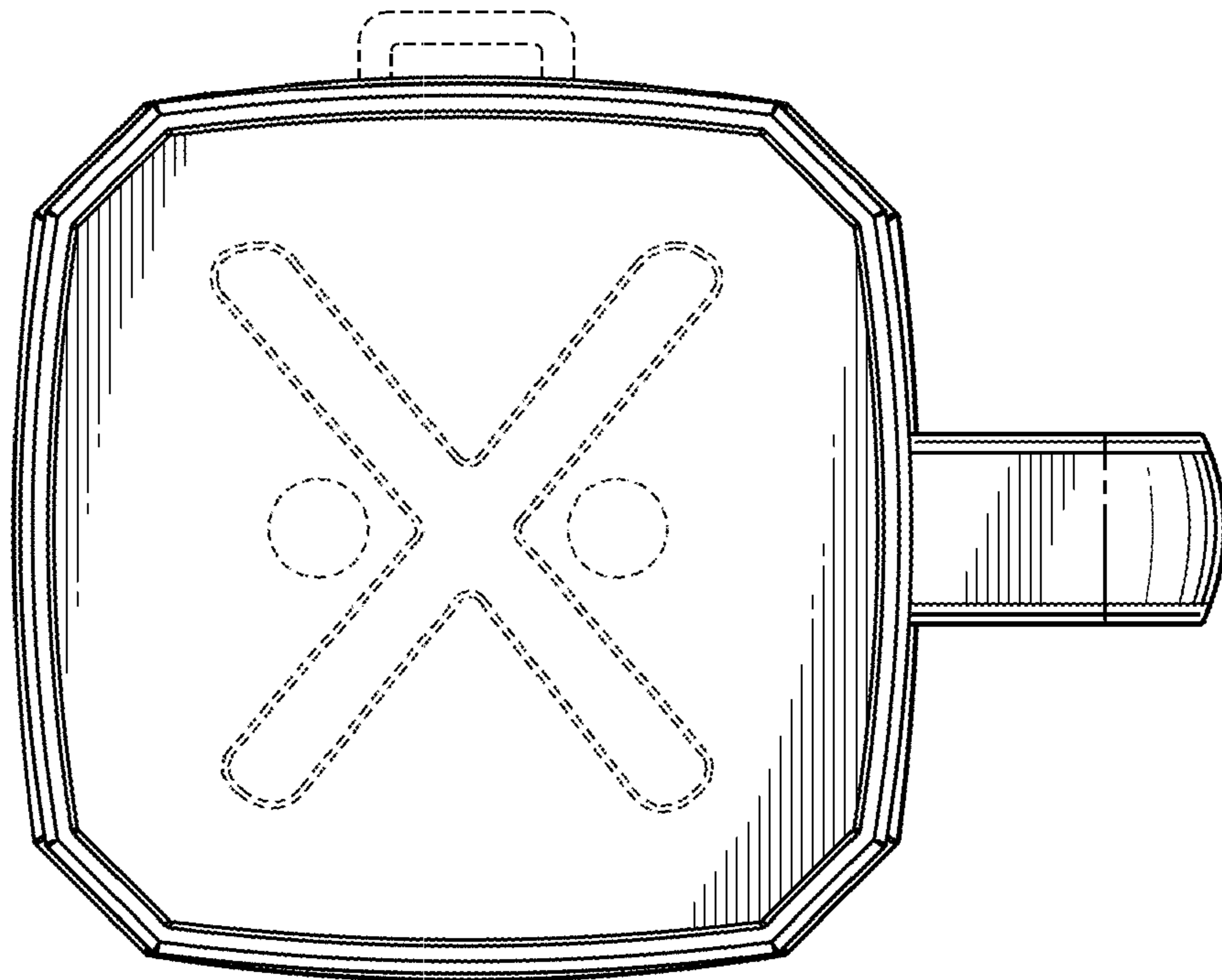


**FIG. 5**





**FIG. 6**



**FIG. 7**