

US00D594698S

(12) **United States Design Patent**
Cruver, IV et al.

(10) **Patent No.:** **US D594,698 S**
(45) **Date of Patent:** **** Jun. 23, 2009**

- (54) **OVEN**
- (75) Inventors: **Curtis Leroy Cruver, IV**, Elmhurst, IL (US); **William C. Cesaroni**, Glenview, IL (US)
- (73) Assignee: **Wolf Appliance, Inc.**, Madison, WI (US)
- (**) Term: **14 Years**
- (21) Appl. No.: **29/325,233**
- (22) Filed: **Sep. 26, 2008**

- D429,954 S 8/2000 Orzel et al.
- D430,451 S 9/2000 Bordet
- D462,867 S 9/2002 Resuello et al.
- D468,579 S * 1/2003 Sakai et al. D7/351
- D468,585 S 1/2003 Resuello et al.
- D468,962 S 1/2003 Jones et al.
- D469,657 S 2/2003 Becker et al.
- D470,720 S 2/2003 Jones et al.
- D471,403 S 3/2003 Jones et al.
- D473,747 S 4/2003 Seymour et al.
- D475,569 S 6/2003 Nichols

(Continued)

OTHER PUBLICATIONS

Wolf Appliance Company, Planning Information for 30" Built-In Single Oven, Sep. 2006 (7 pgs.).

(Continued)

Primary Examiner—Ruth McInroy
(74) *Attorney, Agent, or Firm*—Foley & Lardner LLP

- Related U.S. Application Data**
- (62) Division of application No. 29/269,201, filed on Nov. 22, 2006, now Pat. No. Des. 582,198.
 - (51) **LOC (9) Cl.** **07-02**
 - (52) **U.S. Cl.** **D7/402; D7/350.1**
 - (58) **Field of Classification Search** D7/350.1–350.4, D7/351, 402, 405, 406; 126/19 M, 275 R, 126/275 E, 21 A; 219/756–758, 386–387, 219/393; 99/327–328, 329 R, 331, 332, 99/348, 357, 467, 448, 468, 483, 339; 366/98, 366/146

See application file for complete search history.

(56) **References Cited**
U.S. PATENT DOCUMENTS

- D277,449 S 2/1985 Vetter et al.
- D374,372 S 10/1996 Holbrook, Jr.
- 5,562,090 A 10/1996 Katz
- D375,867 S 11/1996 Sparks
- D379,734 S 6/1997 Baldwin
- D391,800 S 3/1998 Holbrook, Jr.
- D399,390 S 10/1998 Baldwin
- D405,311 S 2/1999 Holbrook, Jr.
- D423,287 S 4/2000 Marchand
- D428,304 S 7/2000 Holbrook
- D429,953 S 8/2000 Orzel et al.

(57) **CLAIM**

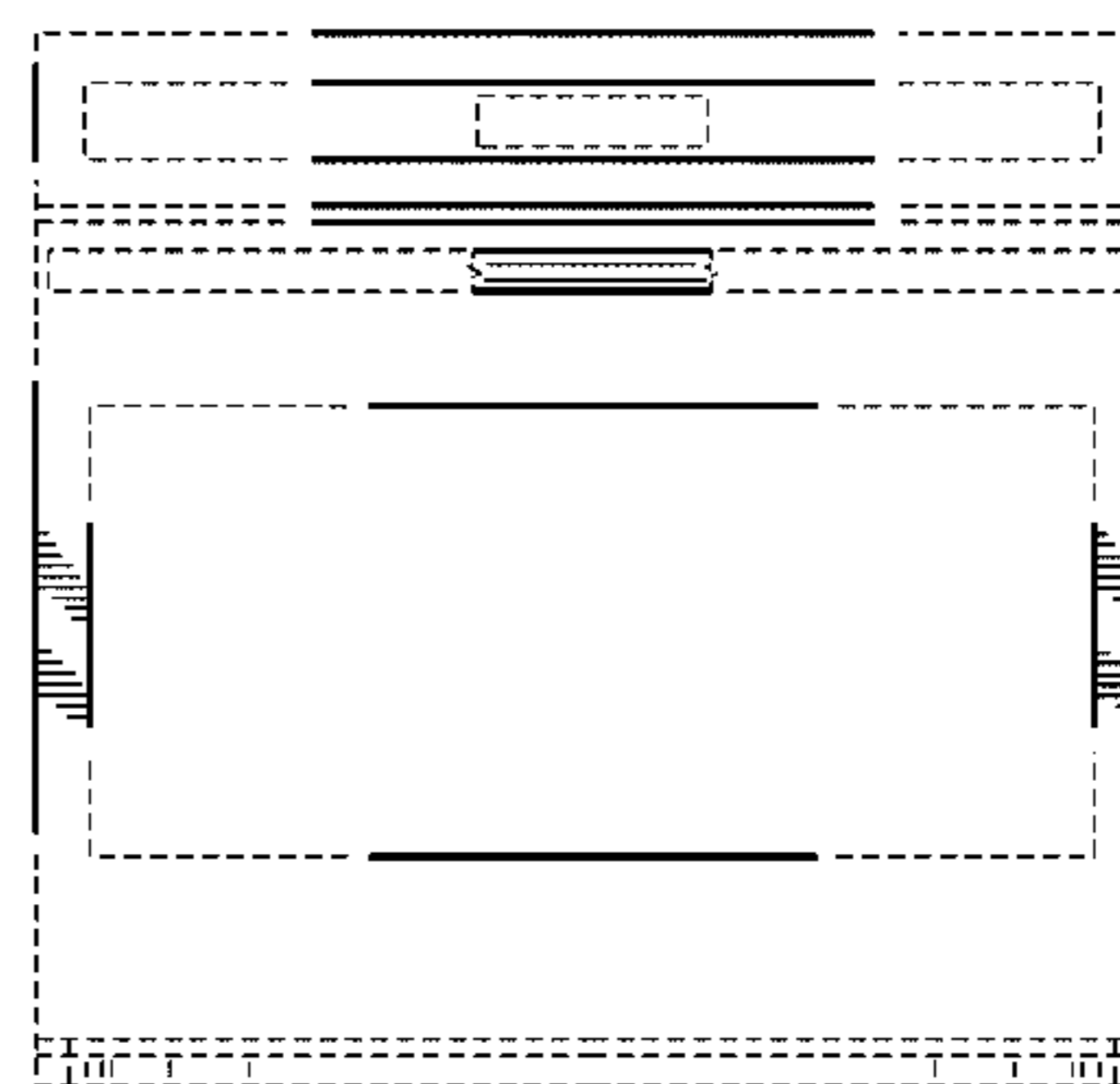
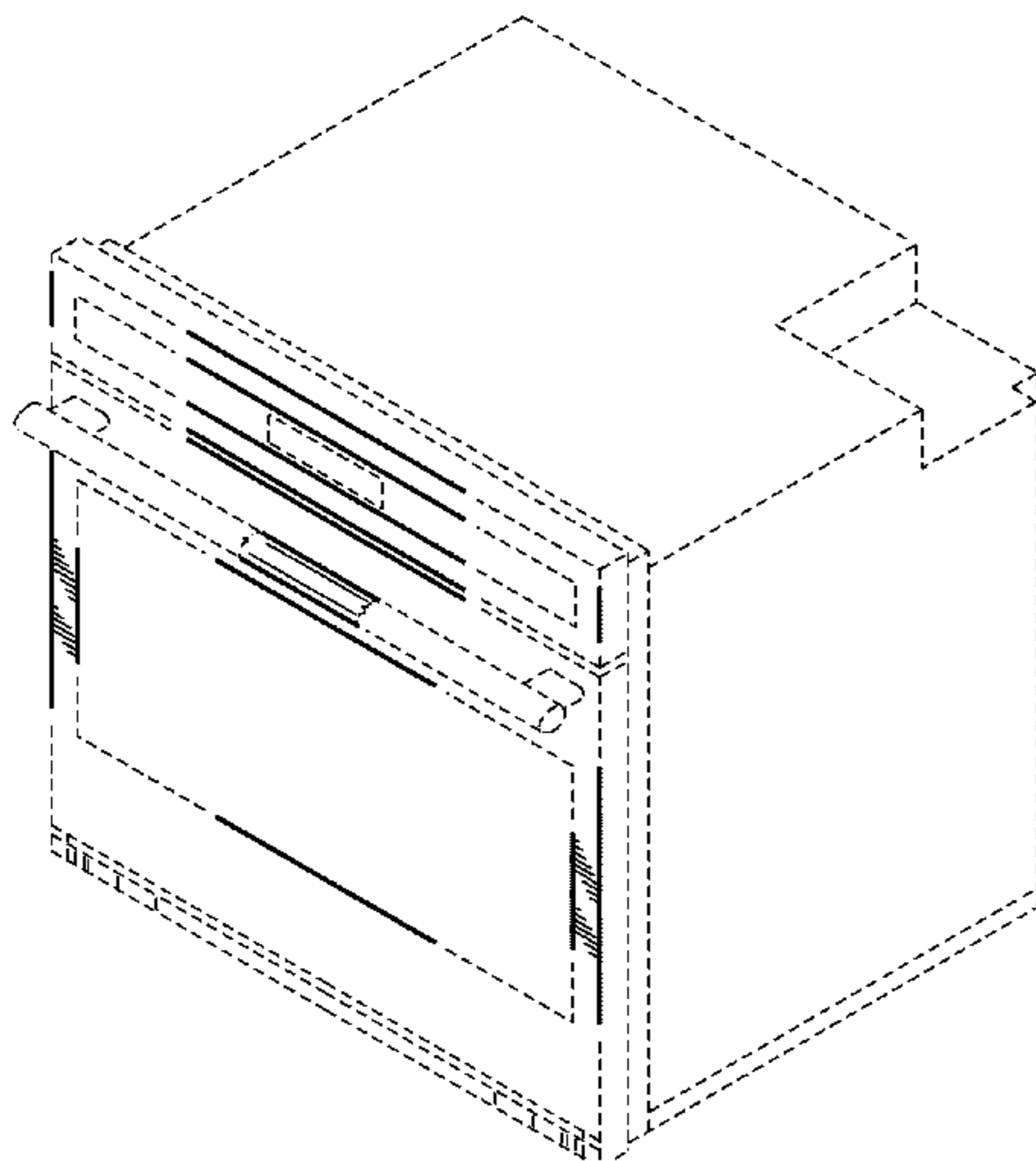
We claim the ornamental design for an oven, as shown and described.

DESCRIPTION

- FIG. 1 is a perspective view of an oven showing our new design;
- FIG. 2 is a front view thereof;
- FIG. 3 is a right side view thereof;
- FIG. 4 is a left side view thereof;
- FIG. 5 is a top view thereof; and,
- FIG. 6 is a bottom view thereof.

The claimed ornamental design is shown in solid lines and only surfaces with shading are claimed. The broken lines are for illustrative purposes only and form no part of the claimed design.

1 Claim, 4 Drawing Sheets



US D594,698 S

Page 2

U.S. PATENT DOCUMENTS

D477,177 S 7/2003 Jeong
D477,496 S 7/2003 Monguilod et al.
D486,349 S 2/2004 Nichols
D495,556 S 9/2004 Milrud et al.
D503,583 S 4/2005 Masin
D510,226 S 10/2005 Vetter
D510,227 S 10/2005 Baldwin
D510,501 S 10/2005 Kim et al.
D511,271 S 11/2005 Grützke et al.
D511,272 S 11/2005 Grützke et al.
D511,651 S 11/2005 Grützke et al.
D511,926 S 11/2005 Baldwin
D512,873 S 12/2005 Grützke et al.
D514,382 S 2/2006 Grützke et al.
D516,379 S 3/2006 Grützke et al.
D516,862 S 3/2006 Grützke et al.
D521,804 S 5/2006 Huxhold et al.
D524,093 S 7/2006 Home
D524,094 S 7/2006 Home
D524,103 S 7/2006 Bradshaw
D525,476 S 7/2006 Bengtson et al.
D525,477 S * 7/2006 Kim D7/351
D525,830 S 8/2006 Pryor
D526,844 S 8/2006 Bradshaw
D527,572 S * 9/2006 Lee et al. D7/350.1
D527,948 S 9/2006 Bengtson
D530,151 S 10/2006 Huxhold et al.
D530,152 S 10/2006 Pryor

D530,561 S * 10/2006 Kim D7/351
D530,971 S 10/2006 Kim
D530,972 S 10/2006 Park
D530,979 S 10/2006 Huxhold et al.
D534,035 S * 12/2006 Huxhold et al. D7/405
D535,515 S 1/2007 Sadtler
D535,847 S 1/2007 Sadtler
D541,578 S * 5/2007 Jeon D7/350.1
D543,781 S 6/2007 Martin et al.
7,234,457 B2 6/2007 Bartmann et al.
D546,623 S 7/2007 Kim

OTHER PUBLICATIONS

Wolf Appliance Company, Built-In Ovens Installation Instructions, Sep. 2005 (16 pgs.).
Wolf Appliance Company, Built-In Ovens Use & Care Information, Aug. 2005 (40 pgs.).
Wolf Appliance Company, Planning Information for 30" Built-In Double Oven, Sep. 2006 (5 pgs.).
Wolf Appliance Company, Planning Information for 36" Built-In Single Oven, Sep. 2006 (5 pgs.).
Wolf Appliance Company, Planning Information for 36" Gas Ranges, Jul. 2006 (5 pgs.).
Wolf Appliance Company, Gas Ranges Use & Care Information, Oct. 2006 (36 pgs.).
Wolf Appliance Company, Gas Ranges Installation Instructions, Oct. 2006 (20 pgs.).

* cited by examiner

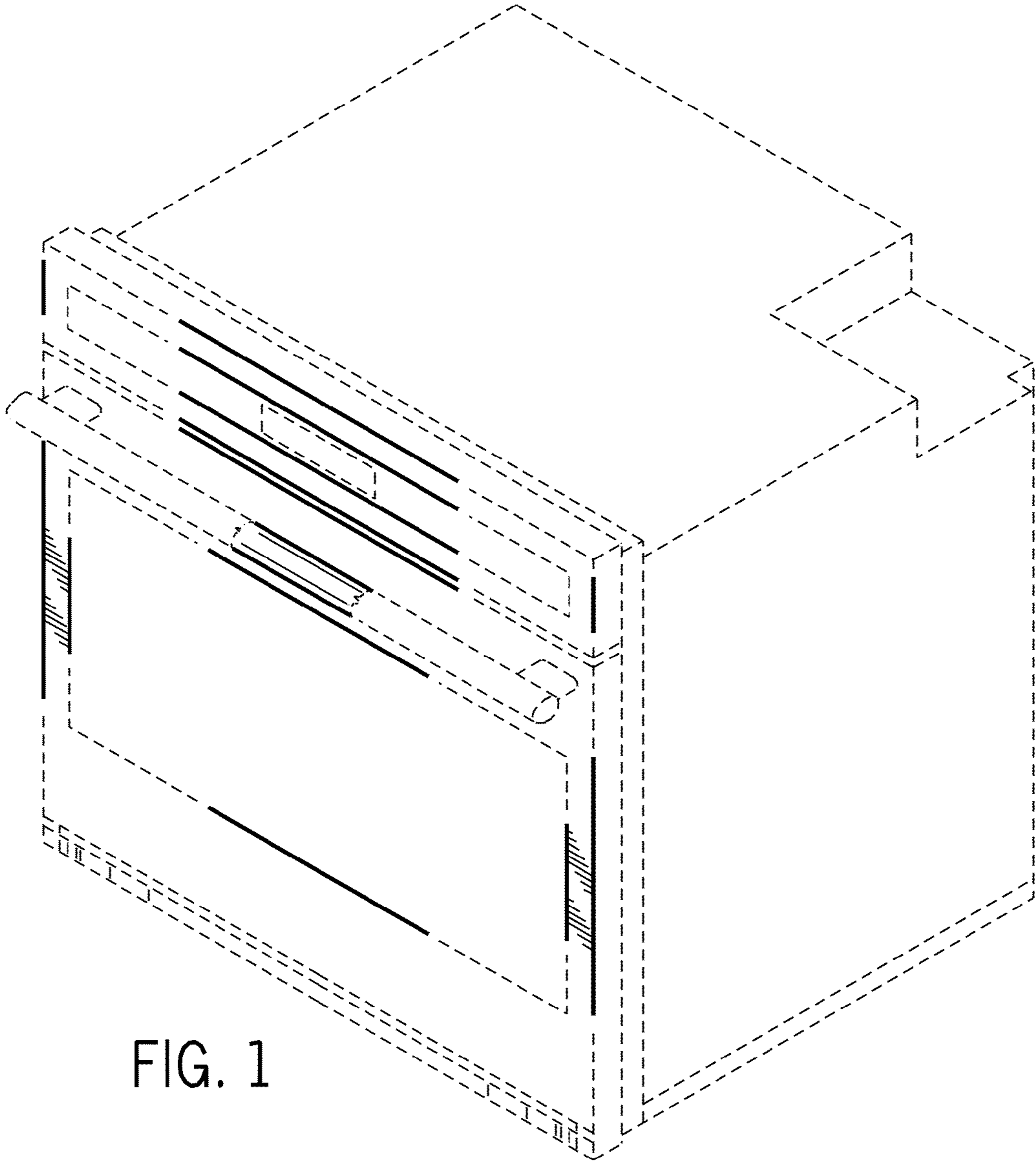


FIG. 1

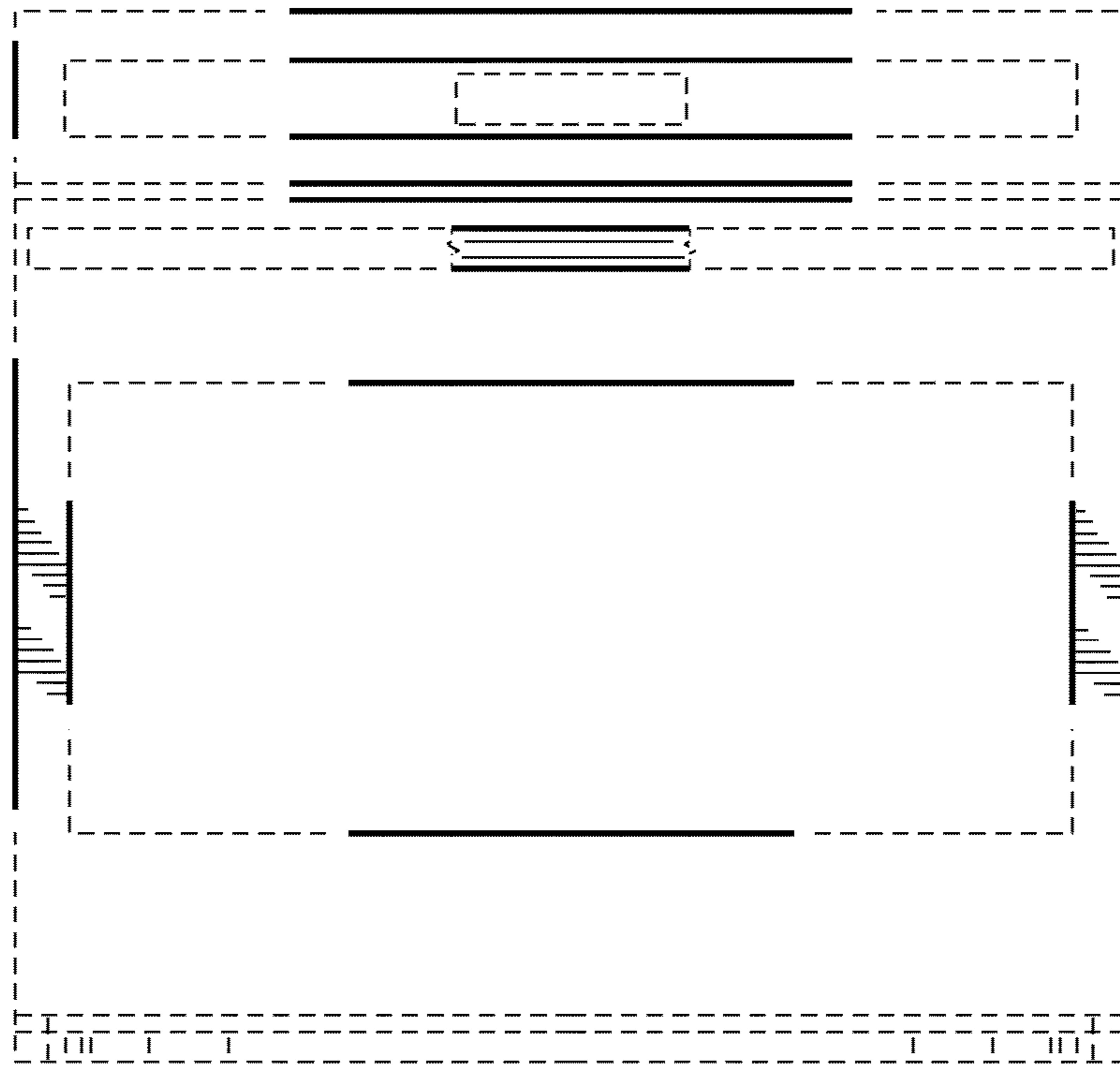


FIG. 2

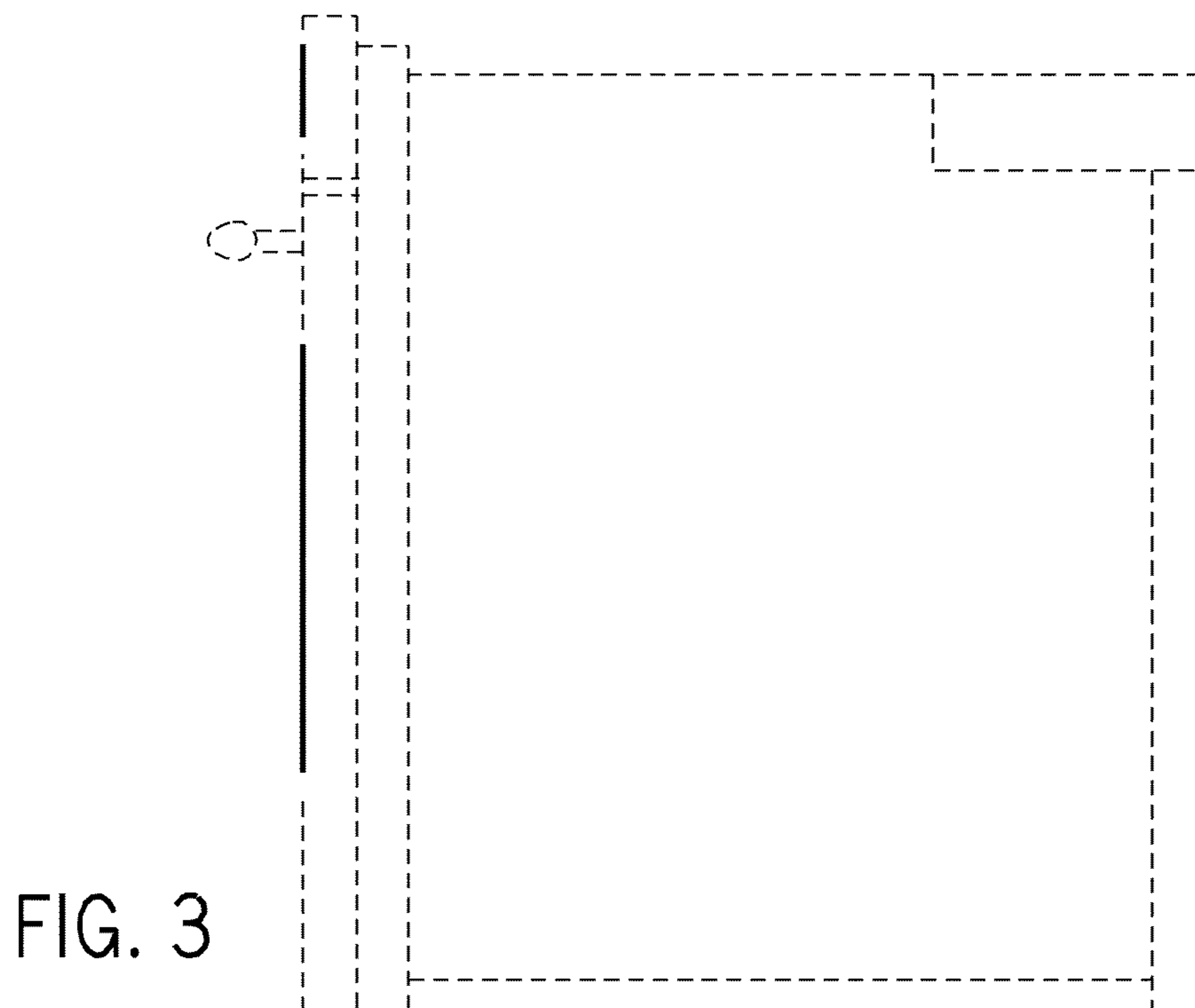


FIG. 3

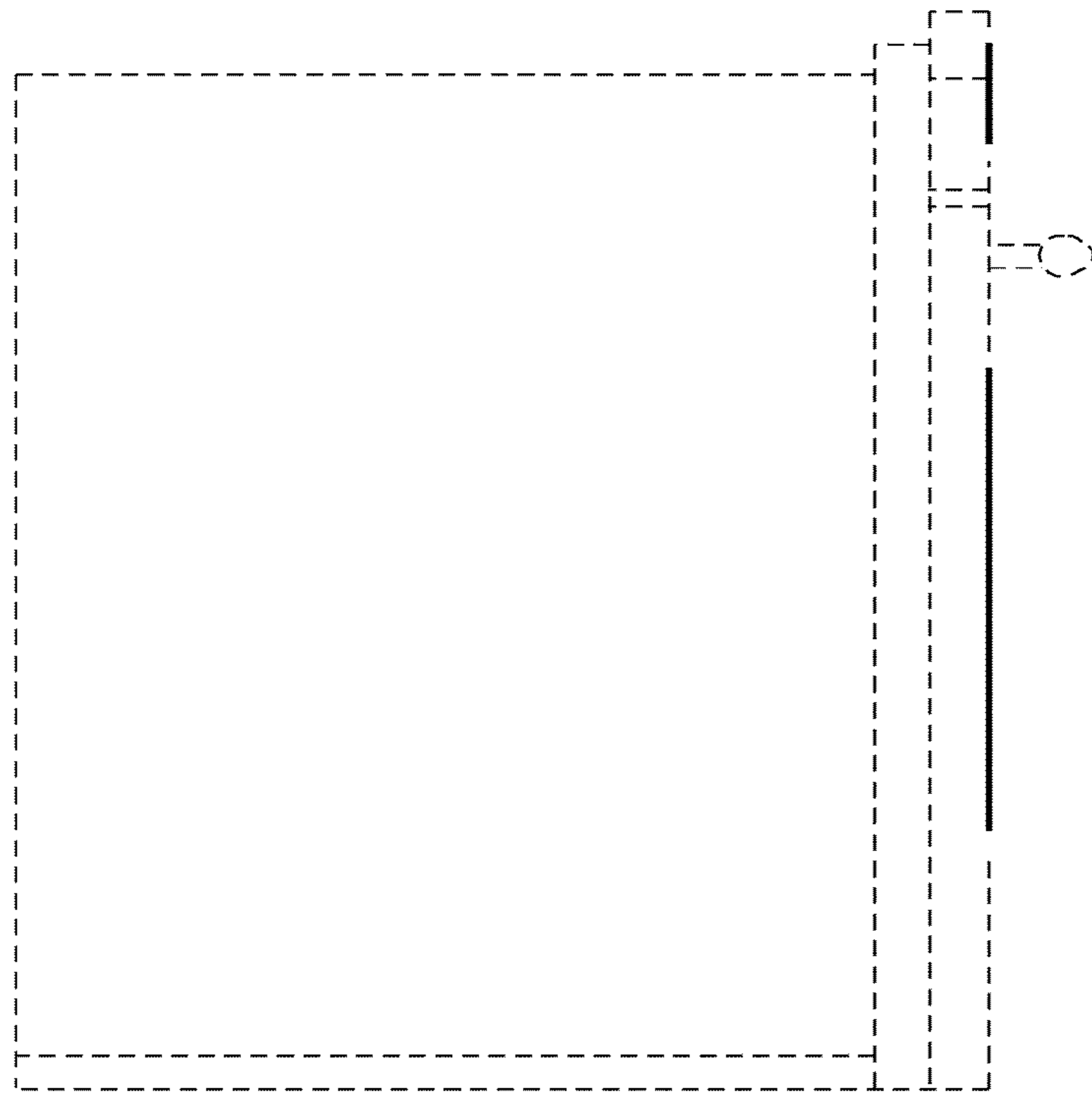


FIG. 4

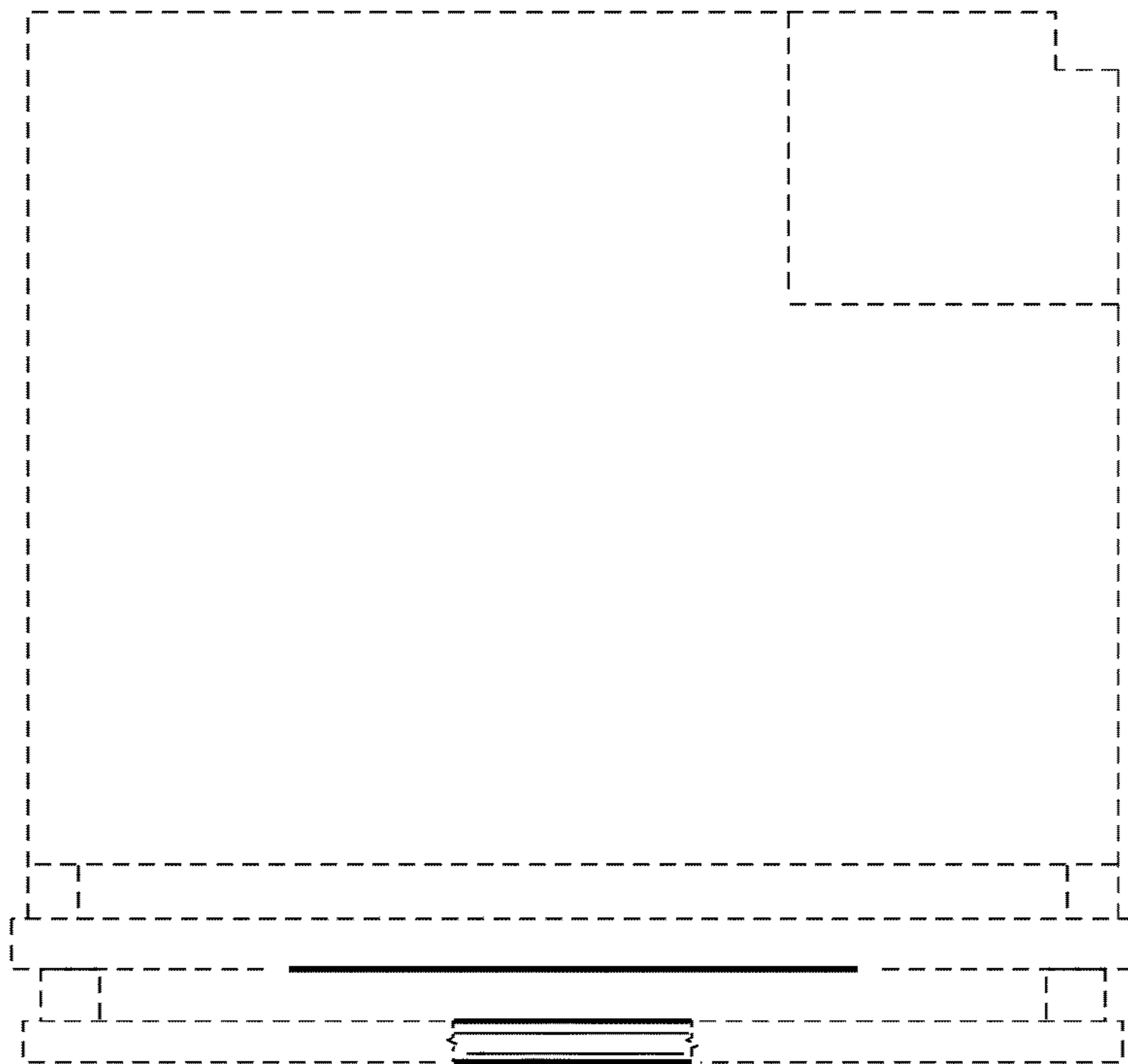


FIG. 5

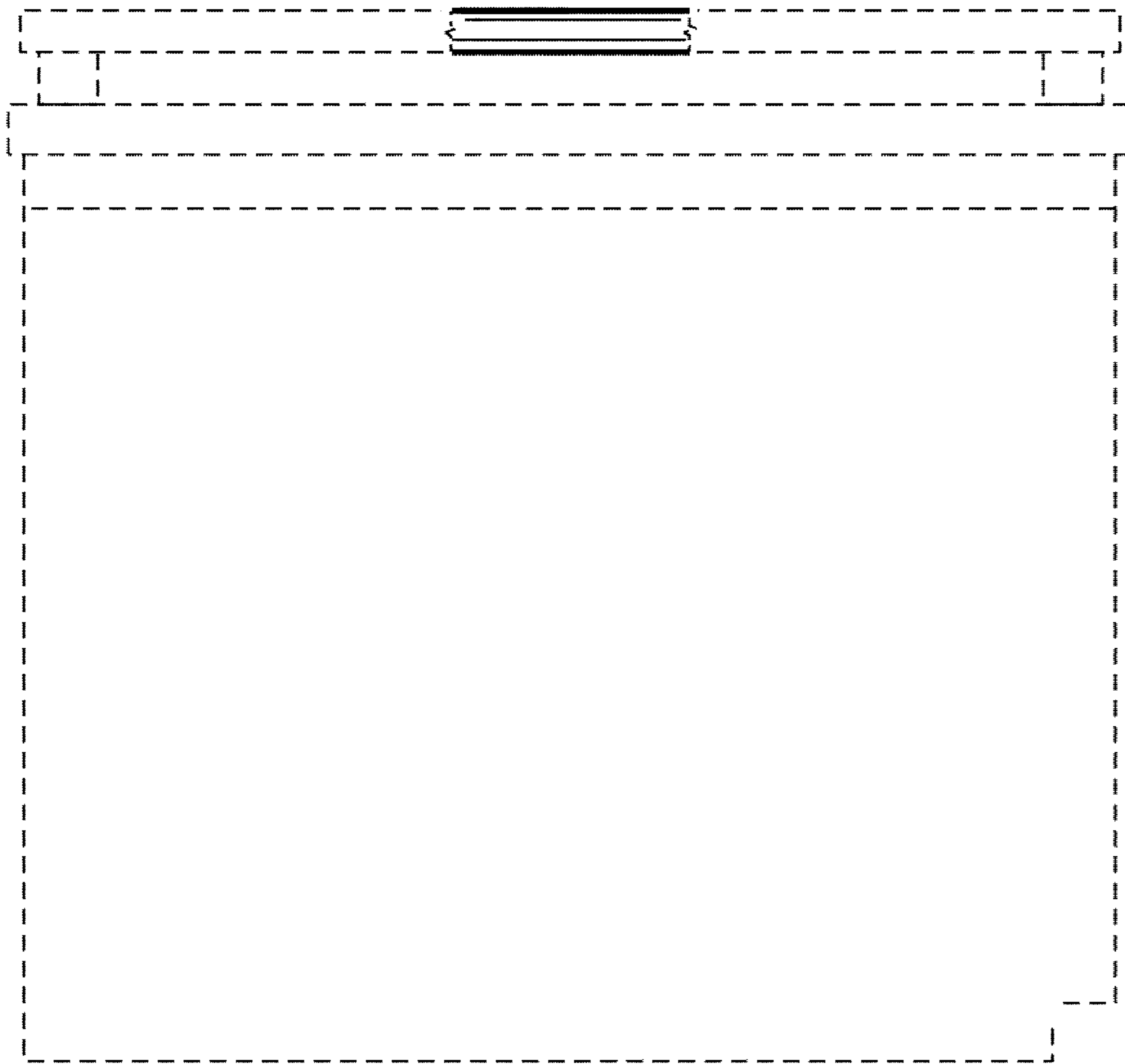


FIG. 6

UNITED STATES PATENT AND TRADEMARK OFFICE
CERTIFICATE OF CORRECTION

PATENT NO. : Des. 594,698 S
APPLICATION NO. : 29/325233
DATED : June 23, 2009
INVENTOR(S) : Curtis Leroy Cruver, IV and William C. Cesaroni

Page 1 of 6

It is certified that error appears in the above-identified patent and that said Letters Patent is hereby corrected as shown below:

The Title Page, Showing an Illustrative Figure, Should be Deleted and Substitute Therefor the Attached Title Page.

Delete Drawing Sheets 1-4 and Substitute Therefor the Drawing Sheets, Consisting of FIGS. 1-6, as Shown on the Attached Pages.

Signed and Sealed this

Thirteenth Day of October, 2009



David J. Kappos
Director of the United States Patent and Trademark Office

(12) **United States Design Patent**
Cruver, IV et al.

(10) **Patent No.:** **US D594,698 S**
(45) **Date of Patent:** **** Jun. 23, 2009**

- (54) **OVEN**
- (75) **Inventors:** **Curtis Leroy Cruver, IV**, Elinhurst, IL (US); **William C. Cesaroni**, Glenview, IL (US)
- (73) **Assignee:** **Wolf Appliance, Inc.**, Madison, WI (US)
- (**) **Term:** **14 Years**
- (21) **Appl. No.:** **29/325,233**
- (22) **Filed:** **Sep. 26, 2008**

- D429,954 S 8/2000 Orzel et al.
- D430,451 S 9/2000 Bordet
- D462,867 S 9/2002 Resuello et al.
- D468,579 S * 1/2003 Sakai et al. D7/351
- D468,585 S 1/2003 Resuello et al.
- D468,962 S 1/2003 Jones et al.
- D469,657 S 2/2003 Becker et al.
- D470,720 S 2/2003 Jones et al.
- D471,403 S 3/2003 Jones et al.
- D473,747 S 4/2003 Seymour et al.
- D475,569 S 6/2003 Nichols

(Continued)

OTHER PUBLICATIONS

Wolf Appliance Company, Planning Information for 30" Built-In Single Oven, Sep. 2006 (7 pgs.).

(Continued)

Primary Examiner—Ruth McInroy
(74) *Attorney, Agent, or Firm* Foley & Lardner LLP

- Related U.S. Application Data**
- (62) Division of application No. 29/269,201, filed on Nov. 22, 2006, now Pat. No. Des. 582,198.
 - (51) **LOC (9) Cl.** **07-02**
 - (52) **U.S. Cl.** **D7/402; D7/350.1**
 - (58) **Field of Classification Search** D7/350.1-350.4, D7/351, 402, 405, 406; 126/19 M, 275 R, 126/275 E, 21 A; 219/756-758, 386-387, 219/393; 99/327-328, 329 R, 331, 332, 99/348, 357, 467, 448, 468, 483, 339; 366/98, 366/146
- See application file for complete search history.

(57) **CLAIM**

We claim the ornamental design for an oven, as shown and described.

DESCRIPTION

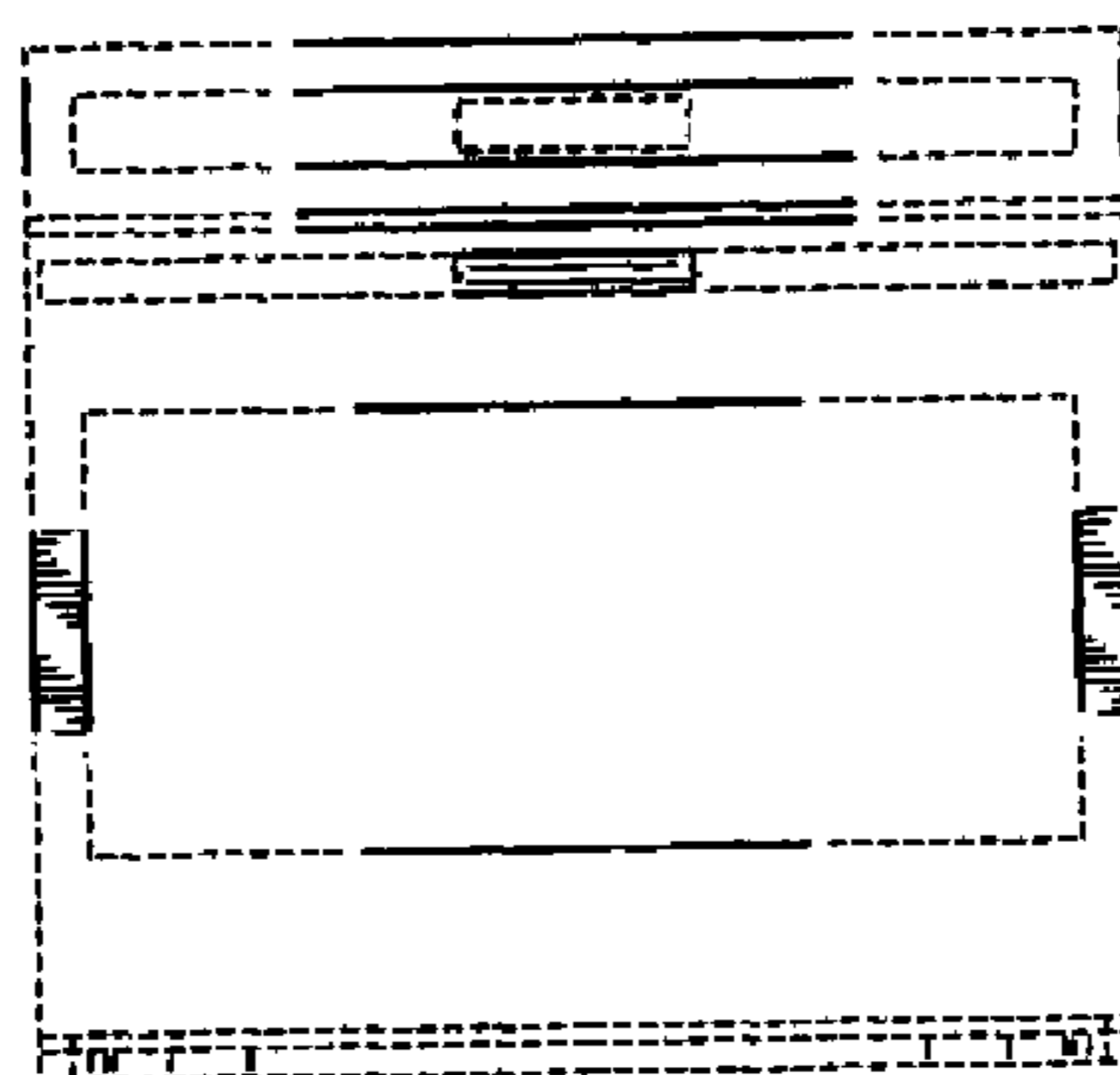
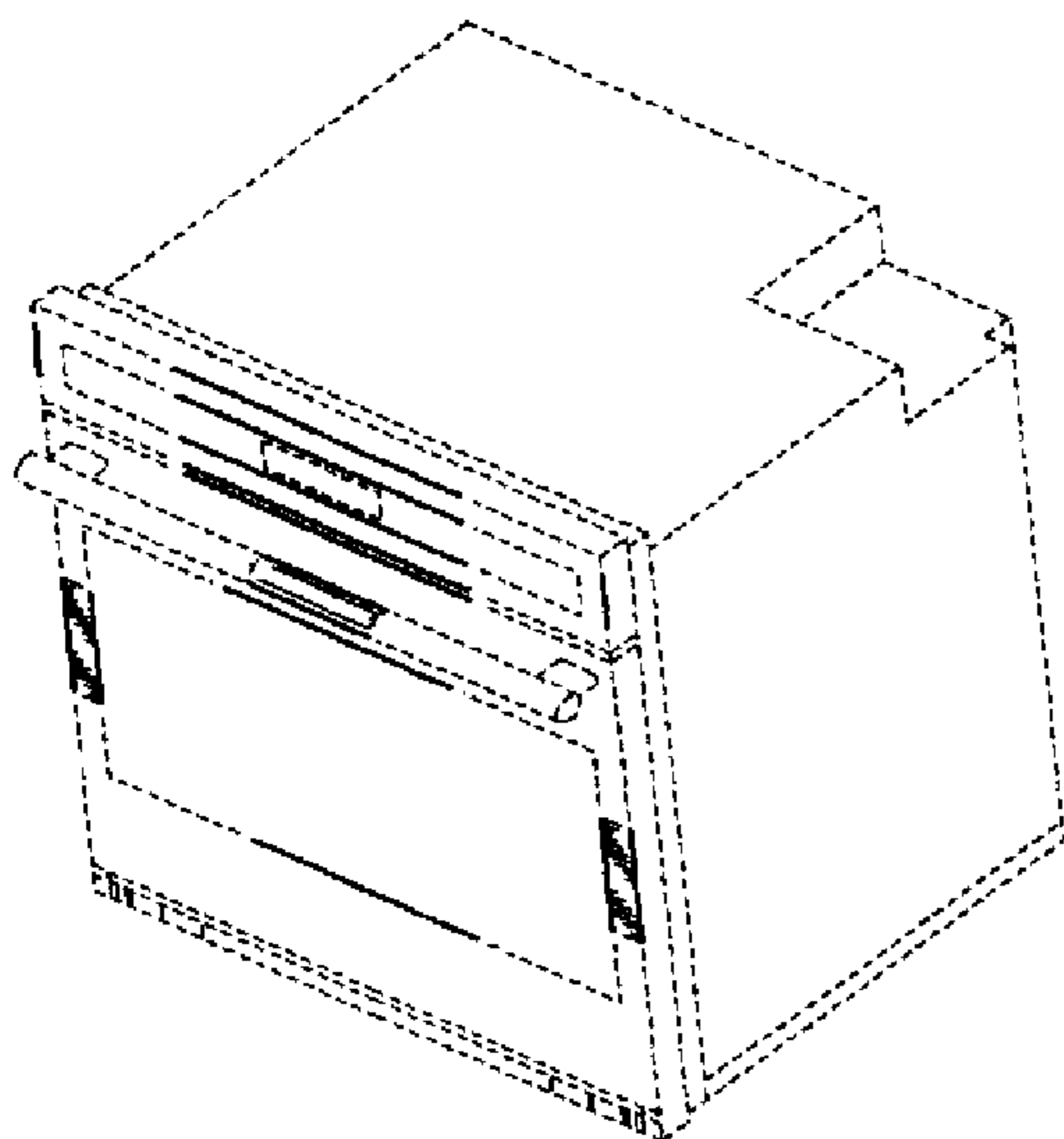
FIG. 1 is a perspective view of an oven showing our new design;
FIG. 2 is a front view thereof;
FIG. 3 is a right side view thereof;
FIG. 4 is a left side view thereof;
FIG. 5 is a top view thereof; and,
FIG. 6 is a bottom view thereof.

The claimed ornamental design is shown in solid lines and only surfaces with shading are claimed. The broken lines are for illustrative purposes only and form no part of the claimed design.

(56) **References Cited**
U.S. PATENT DOCUMENTS

- D277,449 S 2/1985 Vetter et al.
- D374,372 S 10/1996 Holbrook, Jr.
- 5,562,090 A 10/1996 Katz
- D375,867 S 11/1996 Sparks
- D379,734 S 6/1997 Baldwin
- D391,800 S 3/1998 Holbrook, Jr.
- D399,390 S 10/1998 Baldwin
- D405,311 S 2/1999 Holbrook, Jr.
- D423,287 S 4/2000 Marchand
- D428,304 S 7/2000 Holbrook
- D429,953 S 8/2000 Orzel et al.

1 Claim, 4 Drawing Sheets



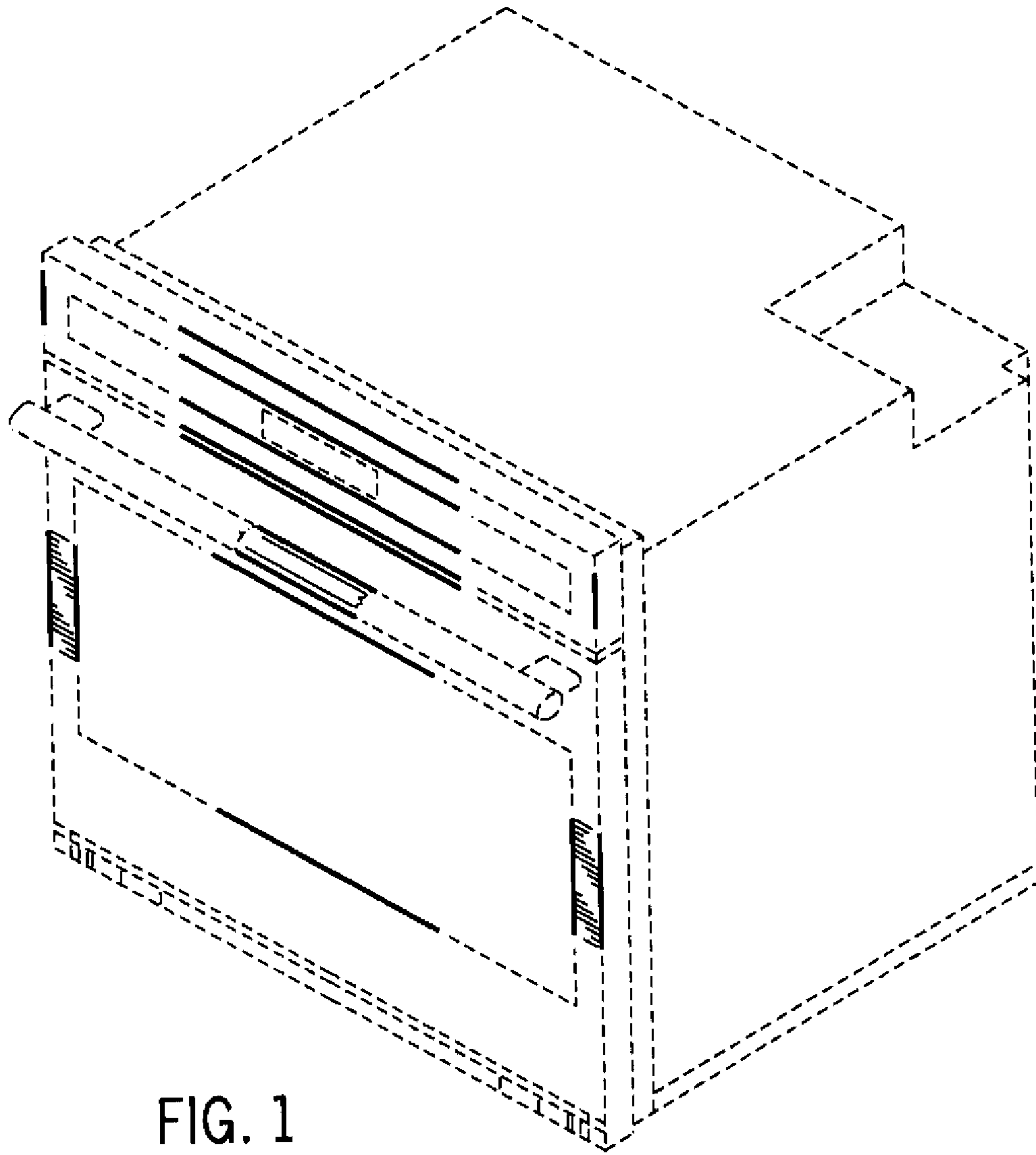


FIG. 1

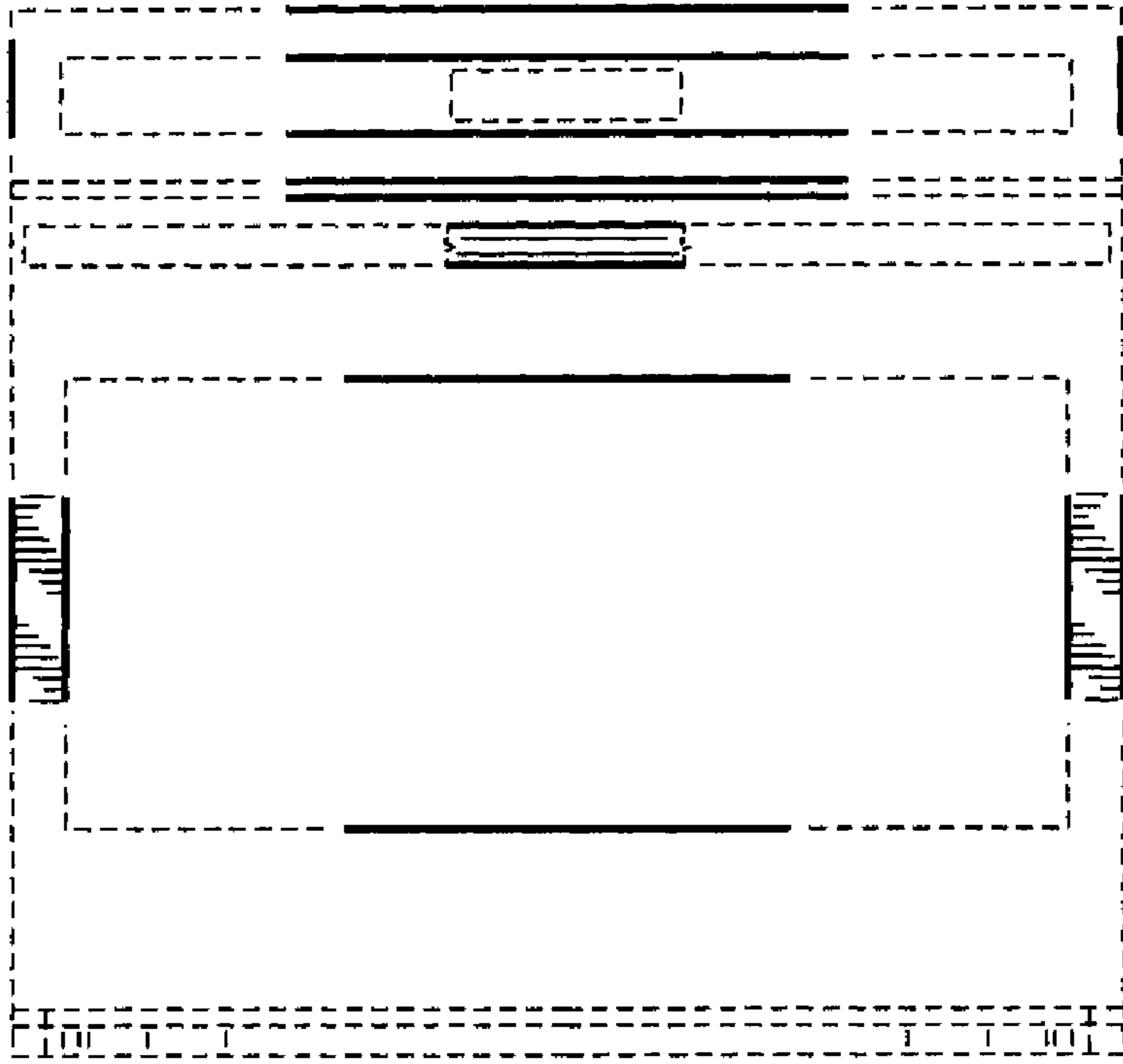


FIG. 2

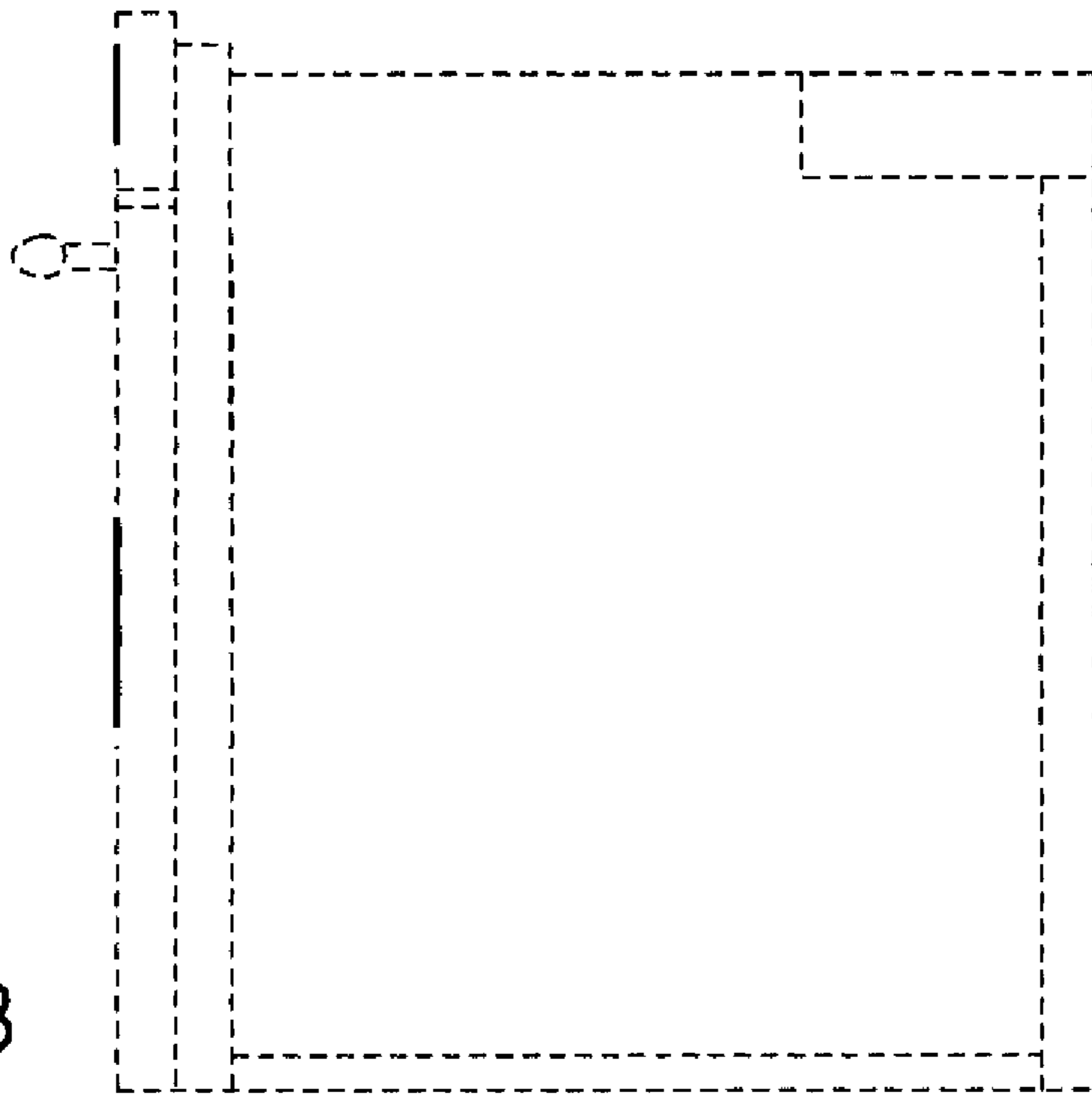


FIG. 3

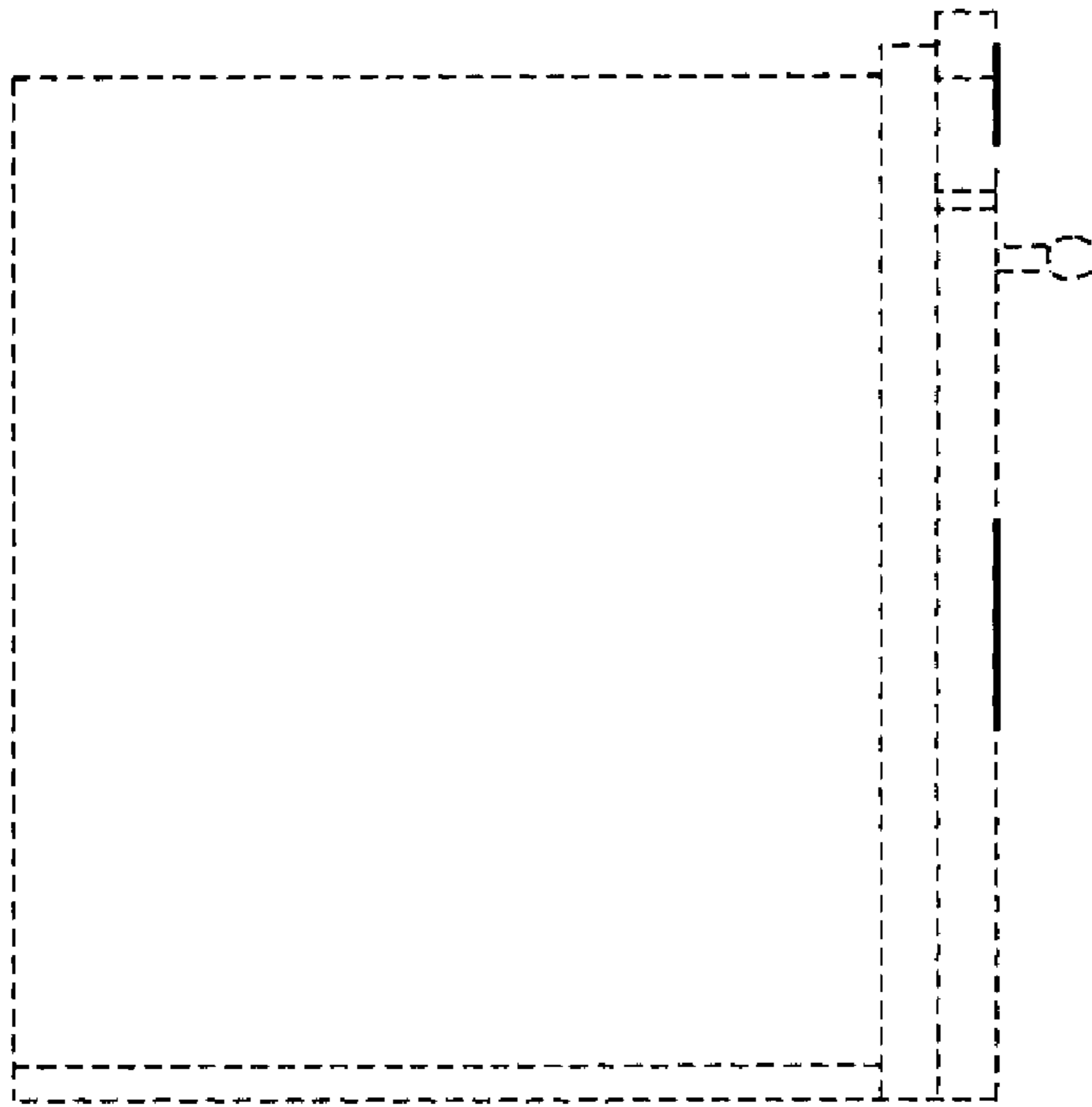


FIG. 4

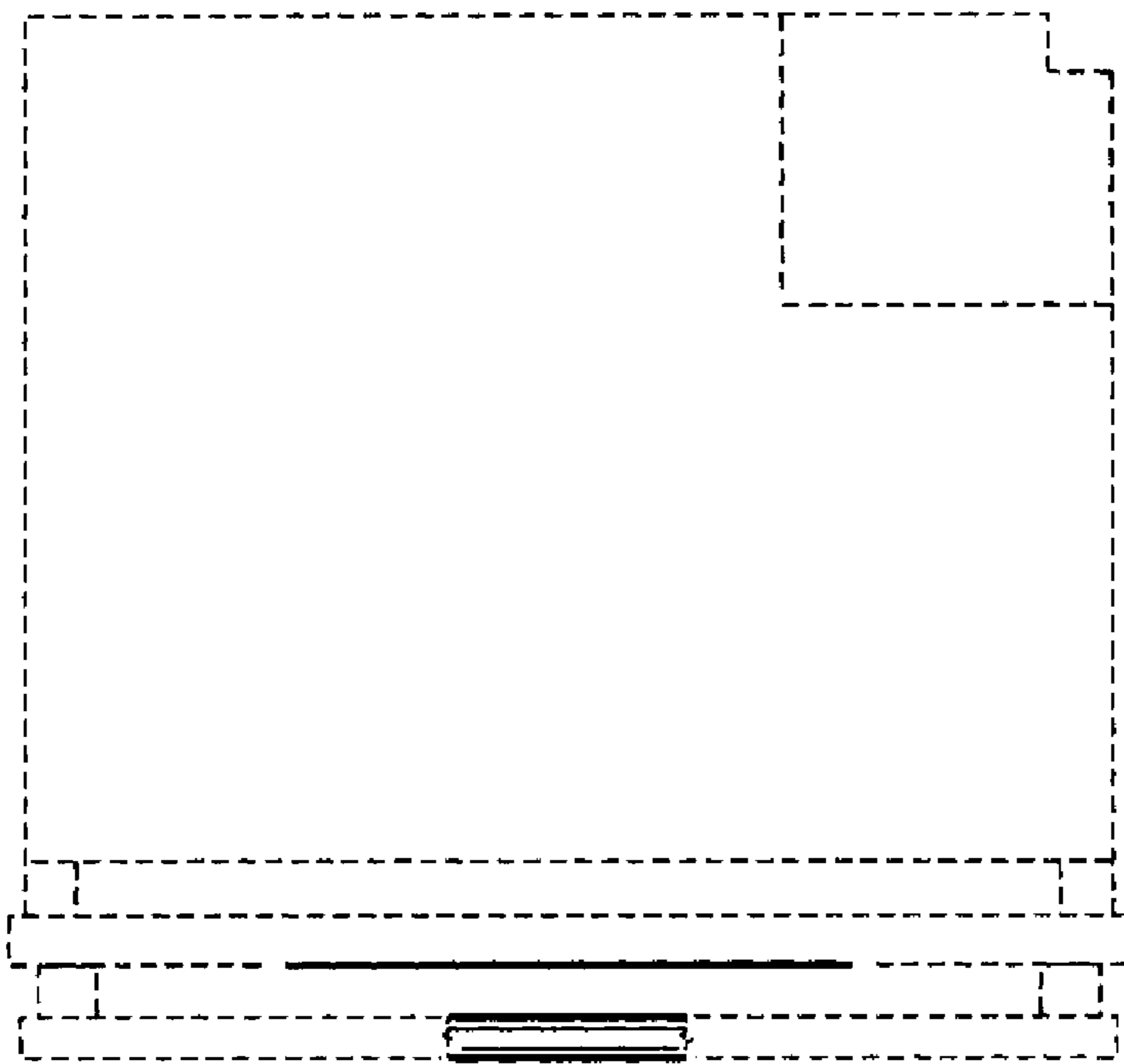


FIG. 5

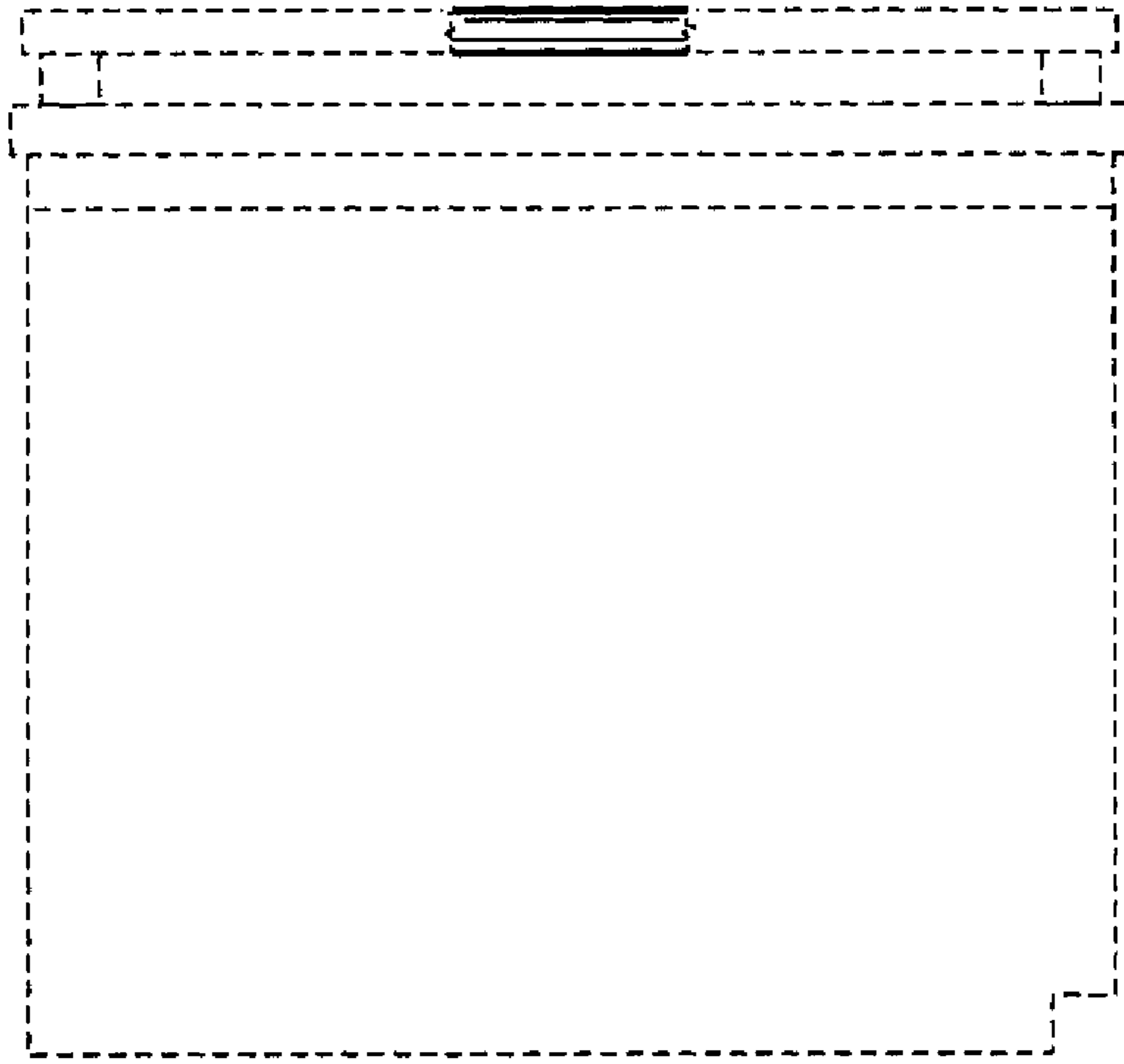


FIG. 6