



US00D594697S

(12) **United States Design Patent**
Lavy

(10) **Patent No.:** **US D594,697 S**
(45) **Date of Patent:** **** Jun. 23, 2009**

(54) **BLENDER BASE**

(76) Inventor: **Danny Lavy**, 775 Lexington Ave.,
Westmont, Quebec (CA) H3Y 1K9

(**) Term: **14 Years**

(21) Appl. No.: **29/326,711**

(22) Filed: **Oct. 23, 2008**

(51) **LOC (9) Cl.** **31-00**

(52) **U.S. Cl.** **D7/386**

(58) **Field of Classification Search** D7/317-318,
D7/356, 376-386, 392, 412-415, 665; 99/348,
99/509-511; 241/30-37.5, 101.01-101.2,
241/166-169.1, 274-278.2, 285.1-285.3,
241/291, 292.1; 366/64-67, 98, 192, 197-211,
366/241-254, 279-292, 341-343

See application file for complete search history.

(56) **References Cited**

U.S. PATENT DOCUMENTS

- D228,698 S * 10/1973 Barnardt, Jr. D7/378
- D444,344 S * 7/2001 Barthelemy et al. D7/378
- D466,760 S * 12/2002 Baerenrodt et al. D7/378
- D484,357 S * 12/2003 Seum et al. D7/378
- D525,481 S * 7/2006 Kassenaar D7/378

- D553,904 S * 10/2007 Romandy D7/378
- D560,963 S * 2/2008 Altheimer et al. D7/378
- 2006/0018189 A1* 1/2006 Chang Chien 366/205

* cited by examiner

Primary Examiner—Caron Veynar

Assistant Examiner—Ricky Pham

(74) *Attorney, Agent, or Firm*—Cook Alex Ltd.

(57) **CLAIM**

The ornamental design for a blender base, as shown and described.

DESCRIPTION

FIG. 1 is a perspective view of a blender base showing my new design;

FIG. 2 is a front elevational view thereof;

FIG. 3 is a rear elevational view thereof;

FIG. 4 is a top plan view thereof; the bottom plan view not being shown as it is devoid of ornamentation; and,

FIG. 5 is a left side elevational view of thereof.

The broken lines shown in the Figures are used for illustrative purposes only and form no part of the claimed design.

1 Claim, 3 Drawing Sheets

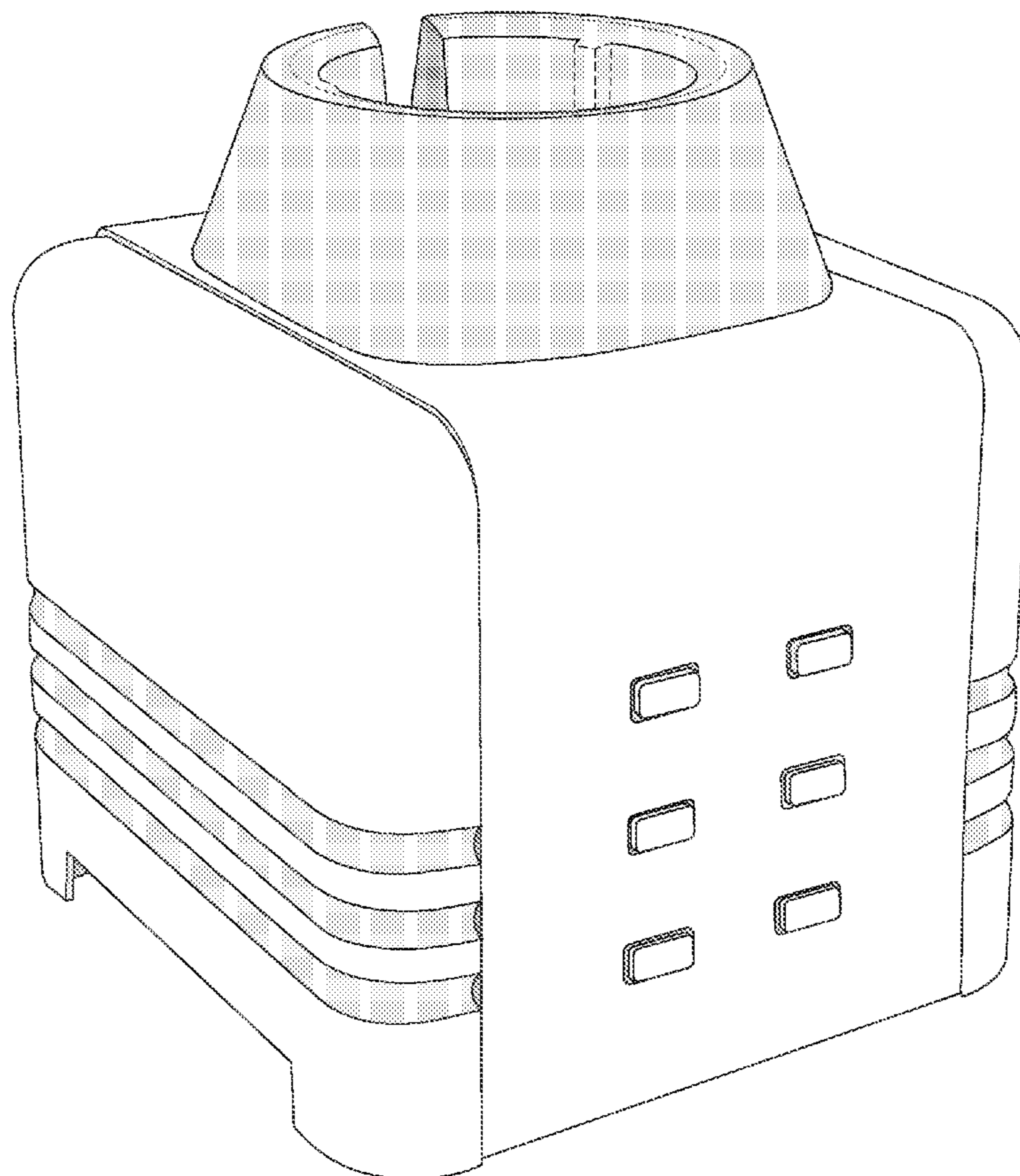


FIGURE 1

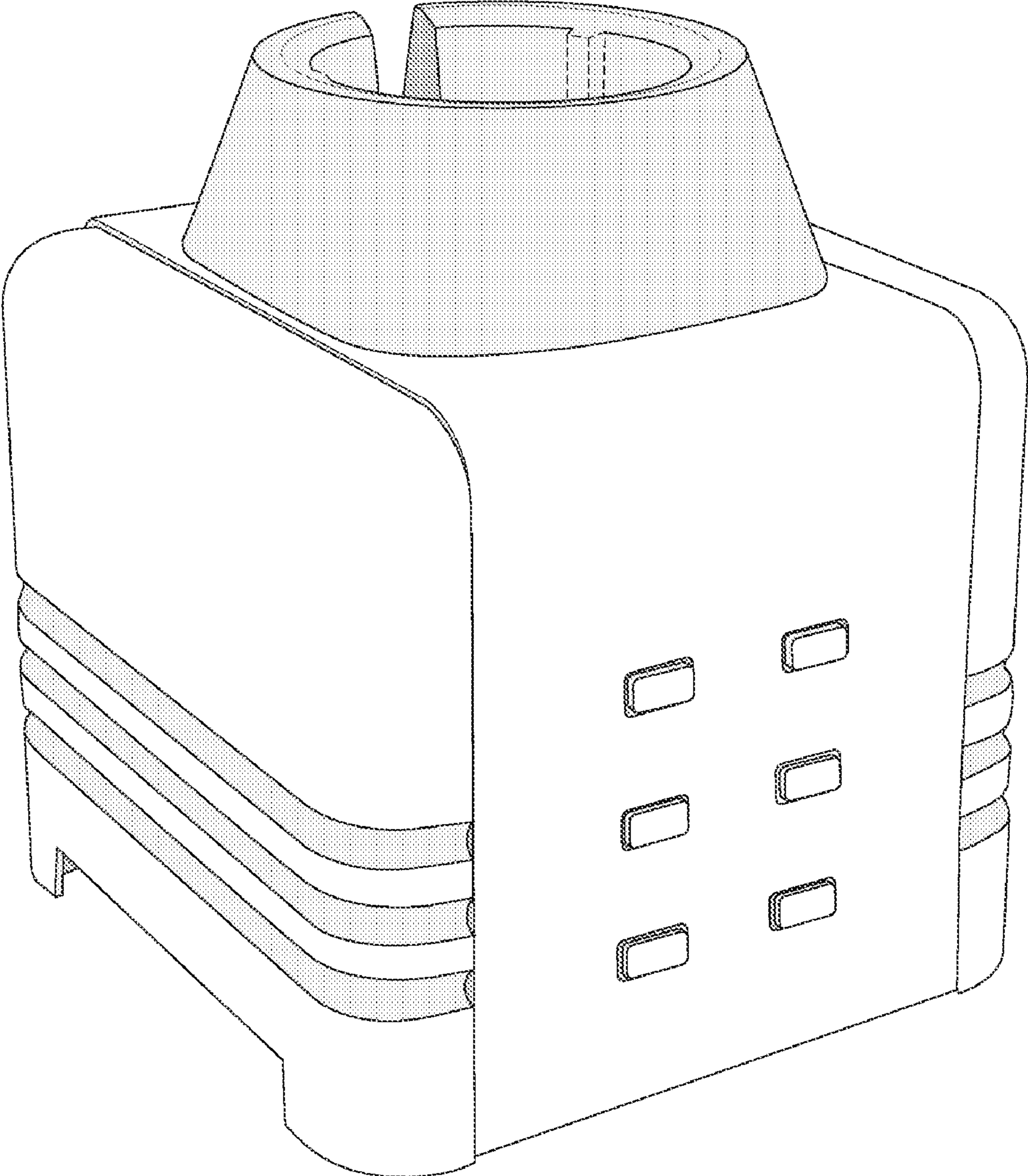


FIGURE 2

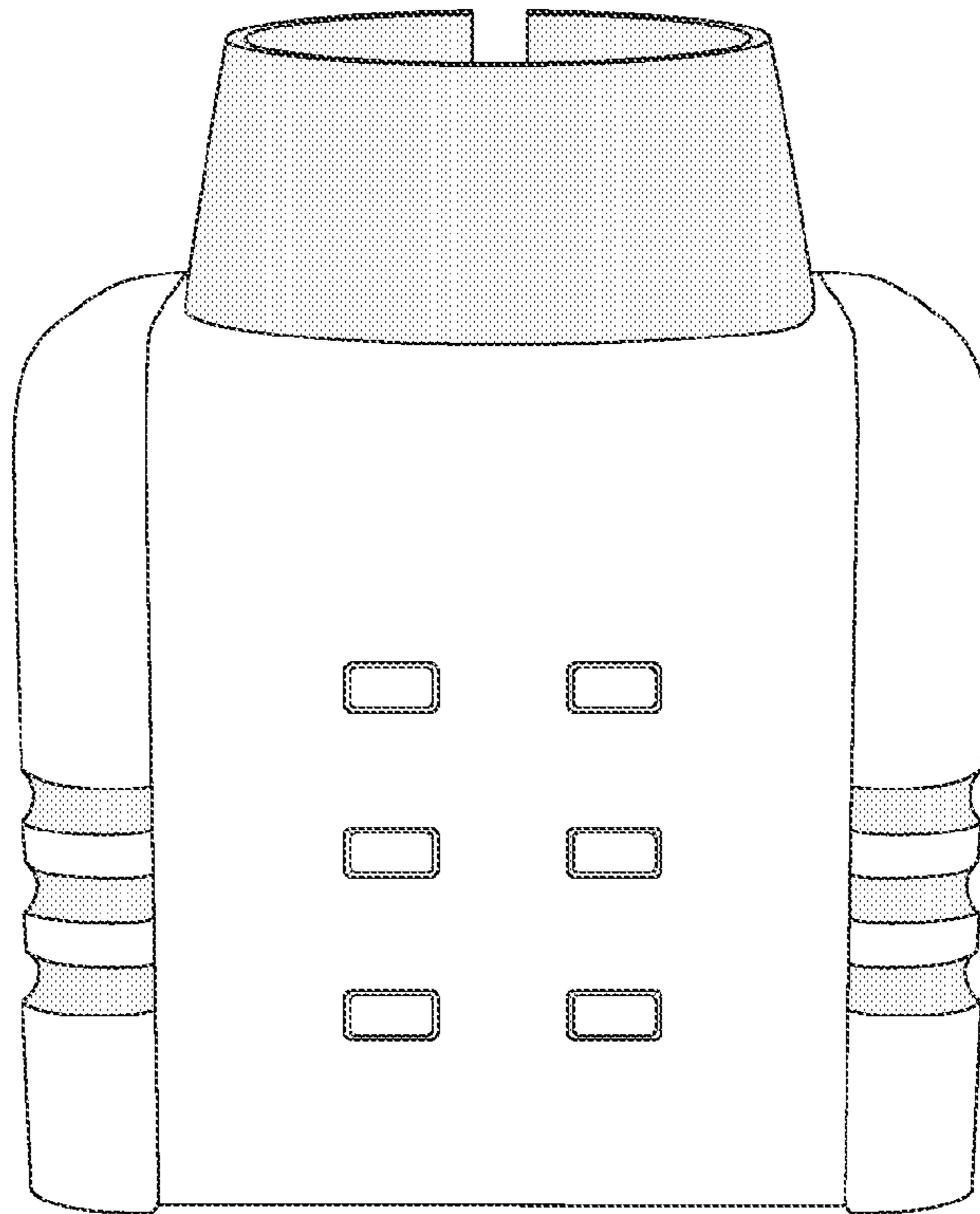


FIGURE 3

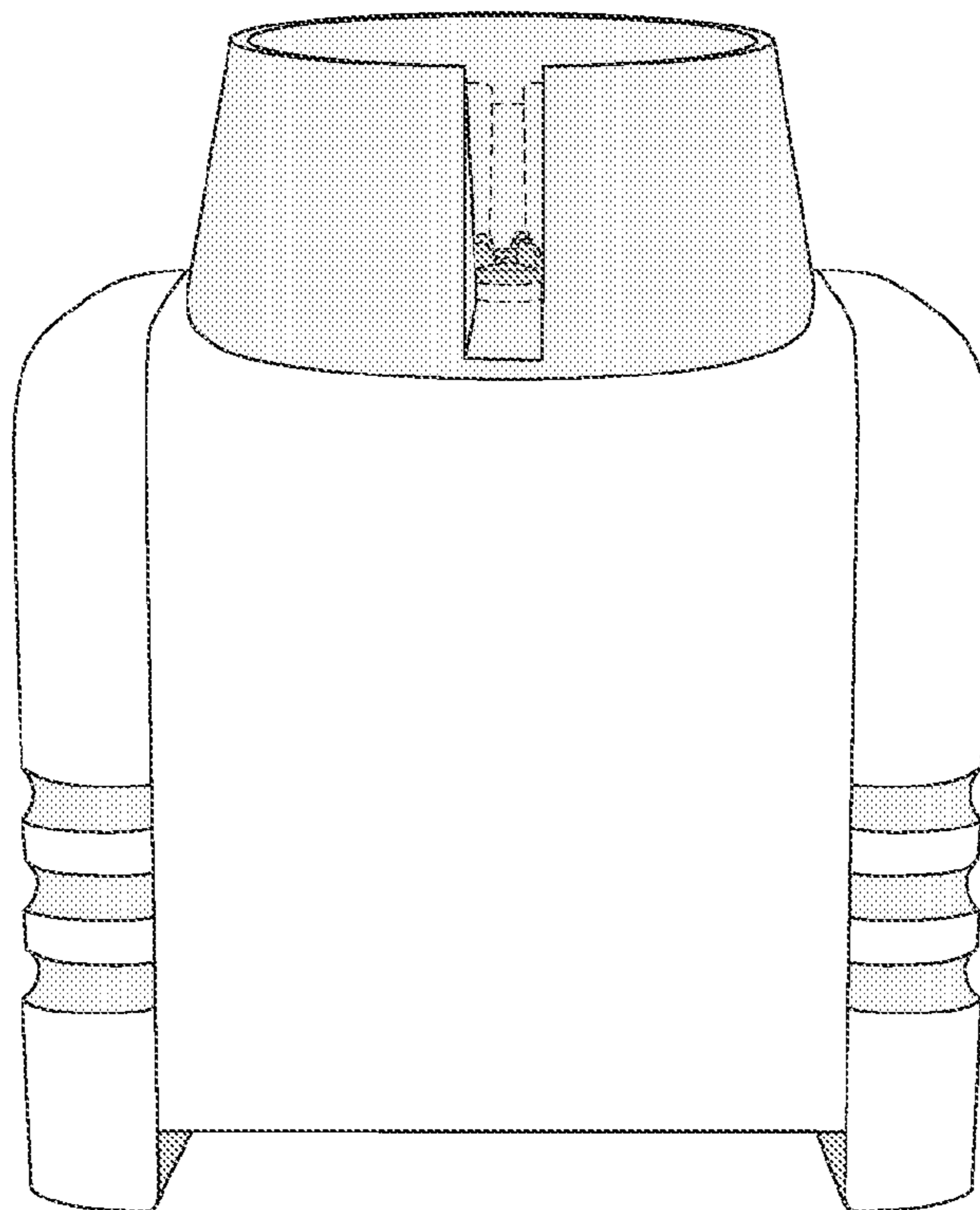


FIGURE 4

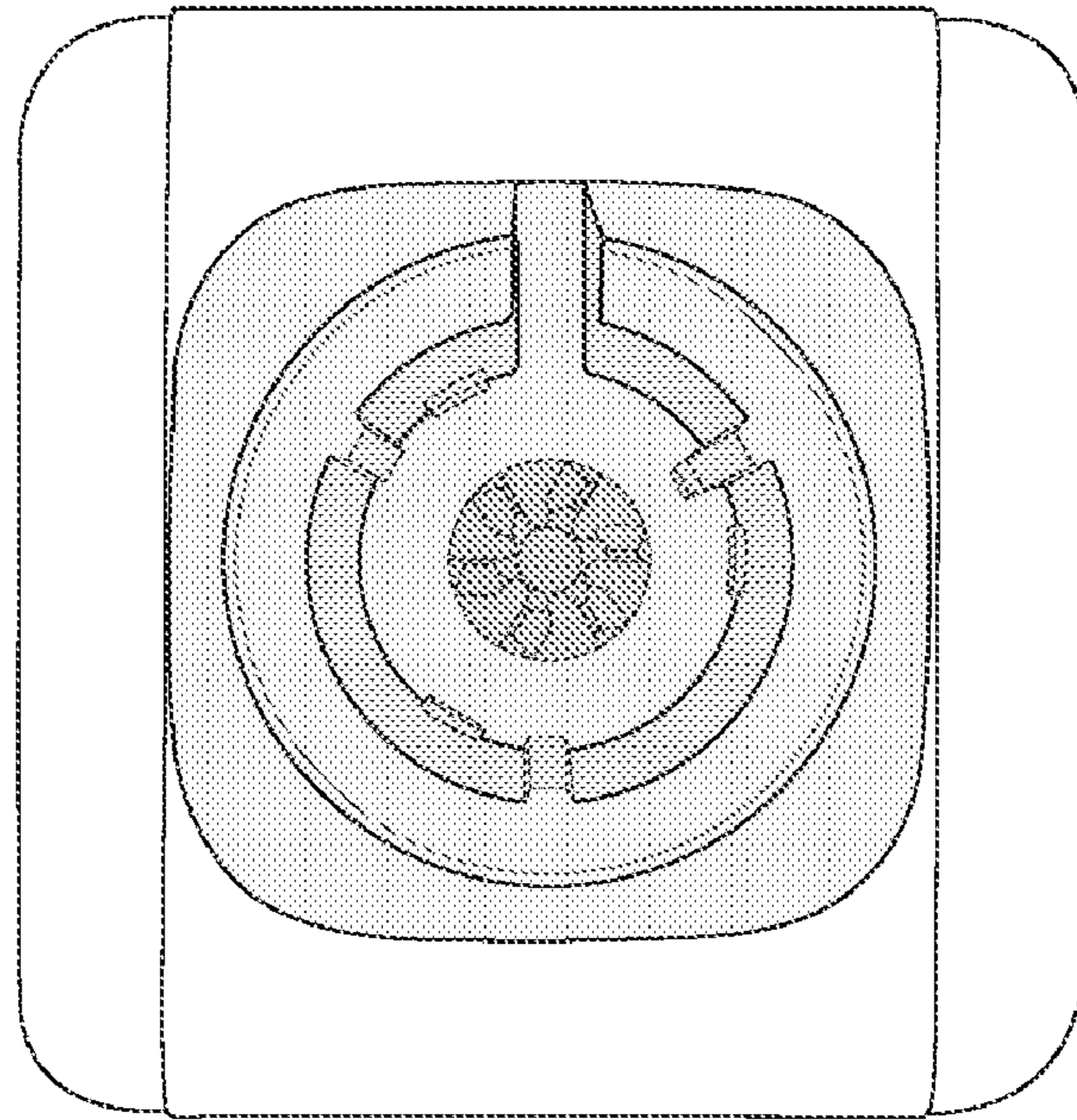


FIGURE 5

