



US00D594694S

(12) **United States Design Patent**
Pino et al.

(10) **Patent No.:** **US D594,694 S**
(45) **Date of Patent:** **** Jun. 23, 2009**

(54) **ELECTRIC PRESSURE COOKER**
(75) Inventors: **Giovanni Pino**, Delray Beach, FL (US);
Raul Chinda, Fort Lauderdale, FL (US);
Valentin Neda, Timisoara (RO)

D370,381 S * 6/1996 Roussard D7/358
D370,827 S * 6/1996 Combe D7/360
D413,483 S * 9/1999 Roussard D7/358
D476,191 S * 6/2003 Josancy D7/358
D486,352 S * 2/2004 Park D7/358
D549,517 S * 8/2007 Moran D7/358

(73) Assignee: **Sunbeam Products, Inc.**, Boca Raton,
FL (US)

* cited by examiner

(**) Term: **14 Years**

Primary Examiner—Caron Veynar

Assistant Examiner—Ricky Pham

(74) *Attorney, Agent, or Firm*—Seth Blum

(21) Appl. No.: **29/321,700**

(22) Filed: **Jul. 22, 2008**

(51) **LOC (9) Cl.** **07-02**

(52) **U.S. Cl.** **D7/354**

(58) **Field of Classification Search** D7/323,
D7/332, 352–361, 365, 378–379, 383–384,
D7/391–396.1, 402, 542–543, 545, 667;
D21/525; 99/140 R, 337, 340, 345, 403,
99/422, 425, 445; 219/438–442, 620–622,
219/725–730; 220/203.01, 573.1–574, 769,
220/912

See application file for complete search history.

(56) **References Cited**

U.S. PATENT DOCUMENTS

D143,693 S * 1/1946 Zimmer D7/358
D332,549 S * 1/1993 Gerlach D7/360
D345,886 S * 4/1994 Gingele D7/360

(57) **CLAIM**

The ornamental design for an electric pressure cooker, as shown and described.

DESCRIPTION

FIG. 1 is a top front right perspective view of the electric pressure cooker showing the new design;

FIG. 2 is a left side elevation view thereof;

FIG. 3 is a front elevation view thereof;

FIG. 4 is a right side elevation view thereof;

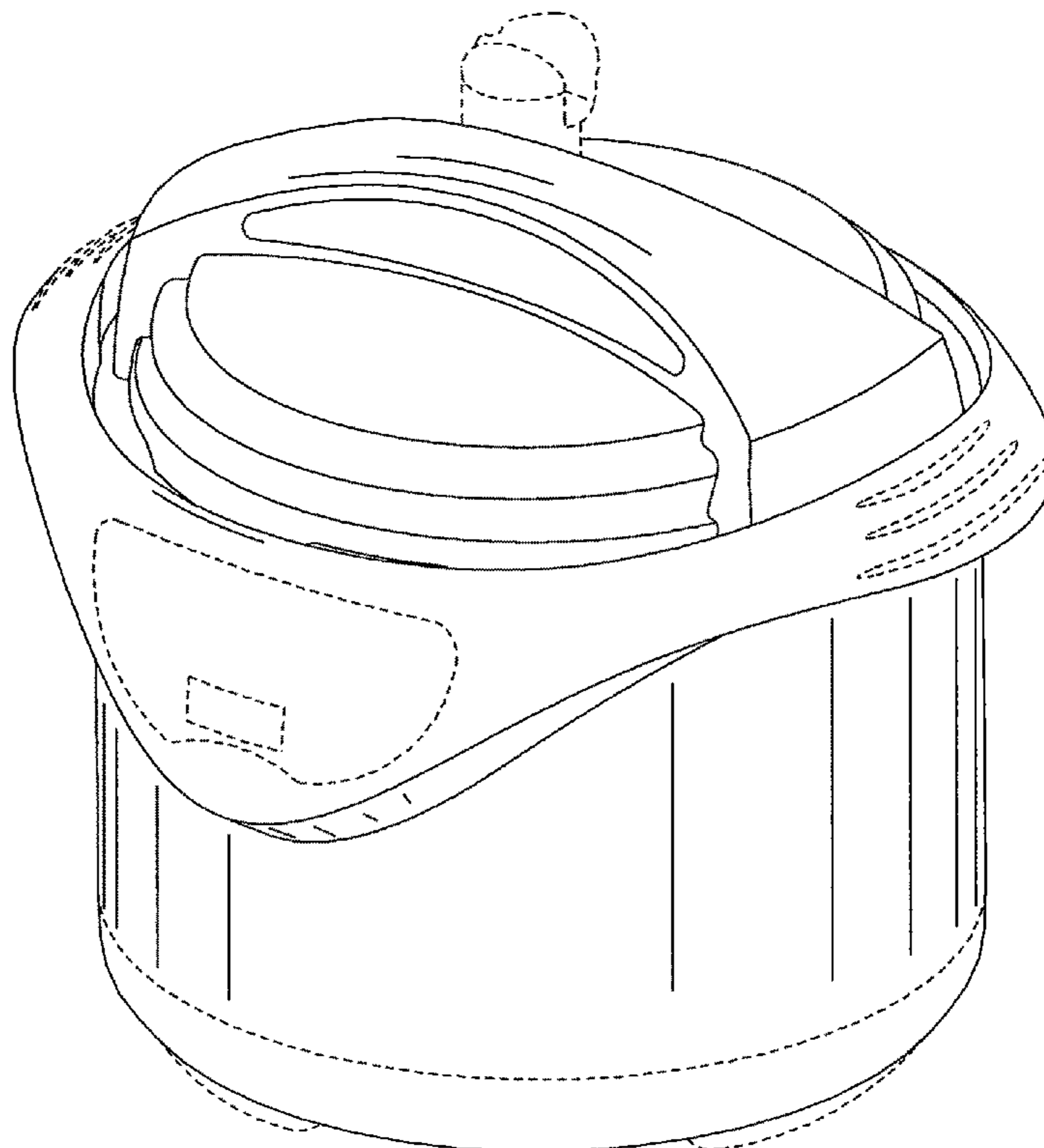
FIG. 5 is a back elevation view thereof;

FIG. 6 is a top plan view thereof; and,

FIG. 7 is a bottom plan view thereof.

The broken lines in the drawings are for illustrative purposes only and form no part of the claimed design.

1 Claim, 7 Drawing Sheets



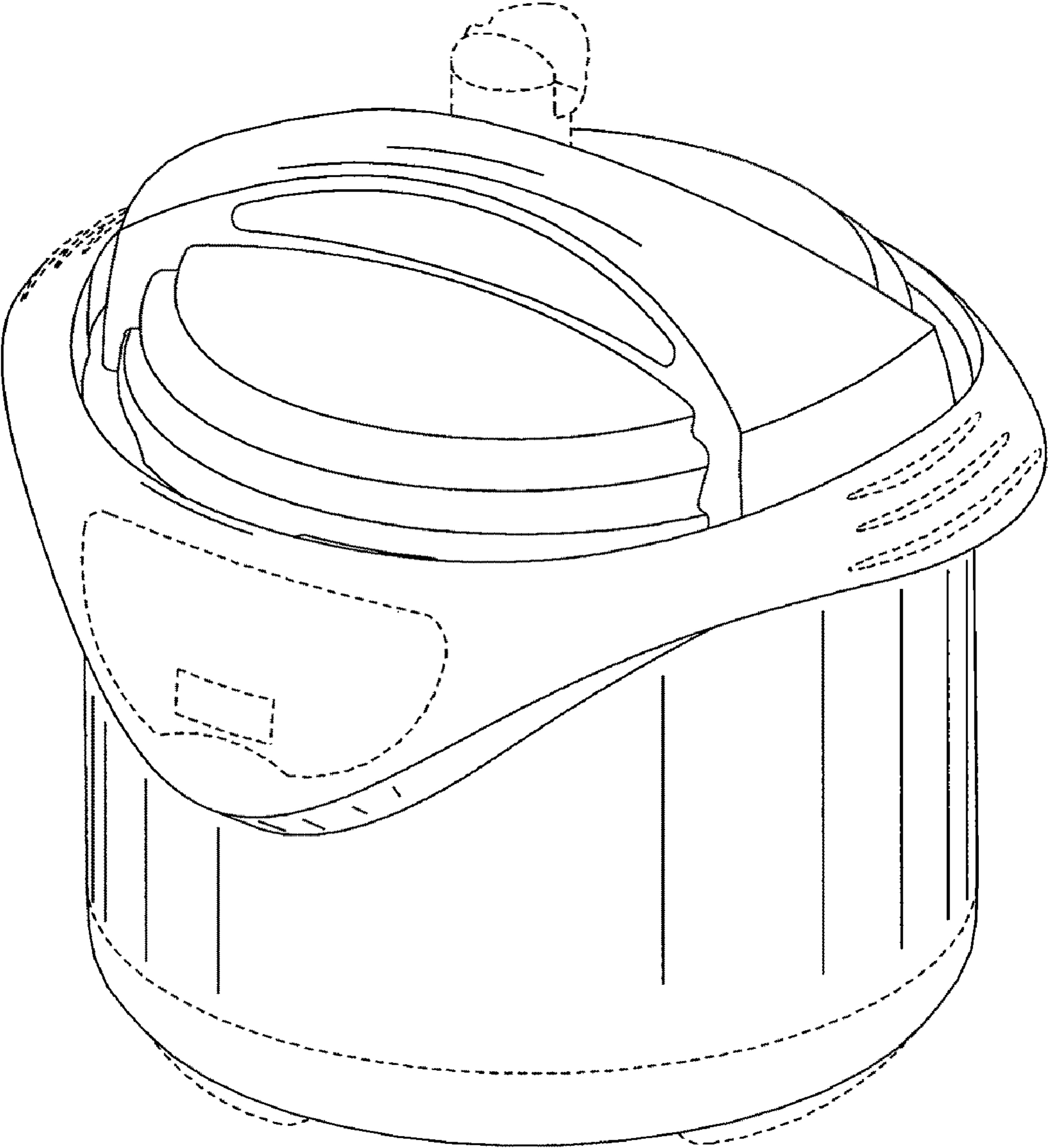


FIG 1

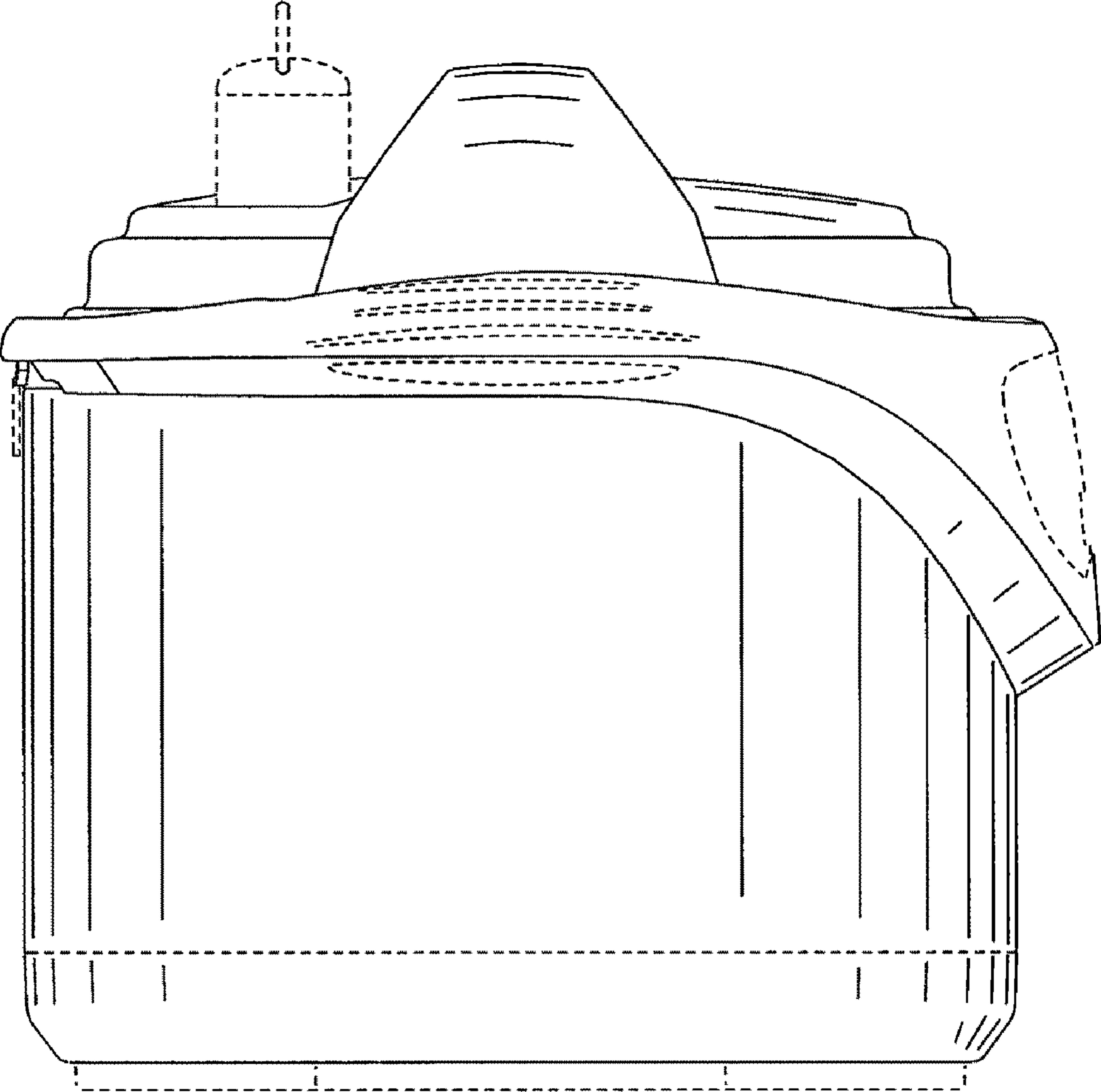


FIG 2

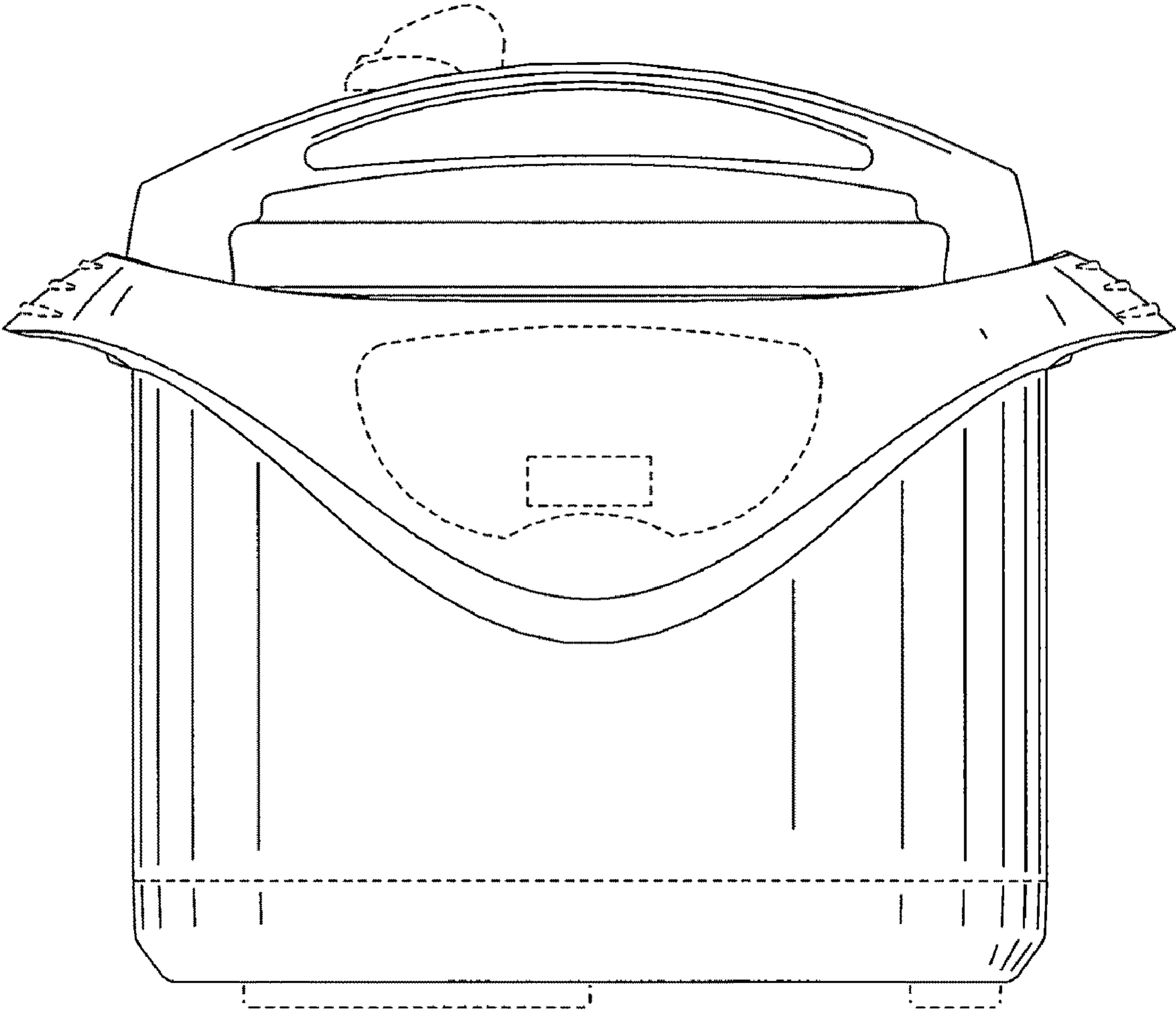


FIG 3

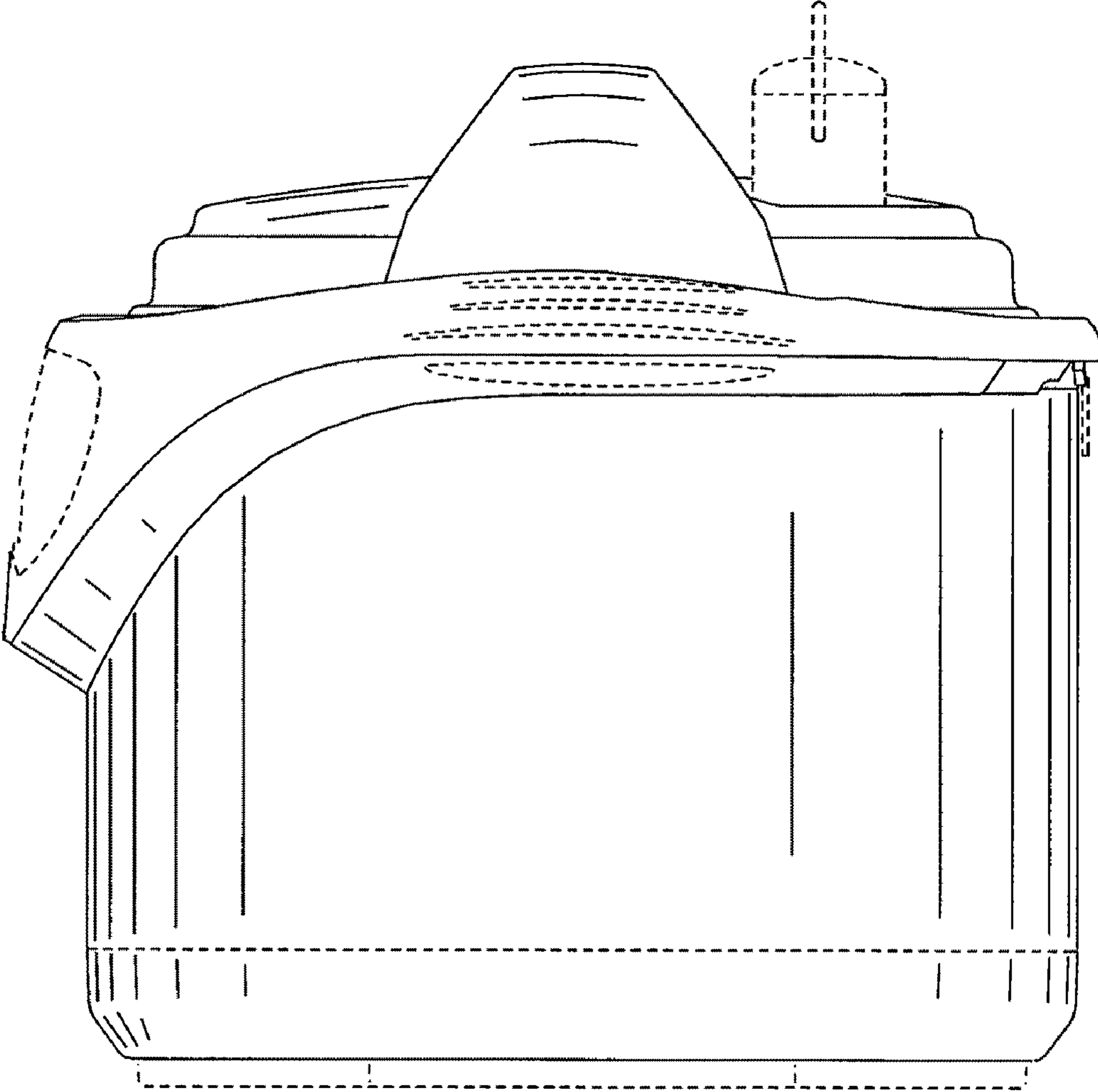


FIG 4

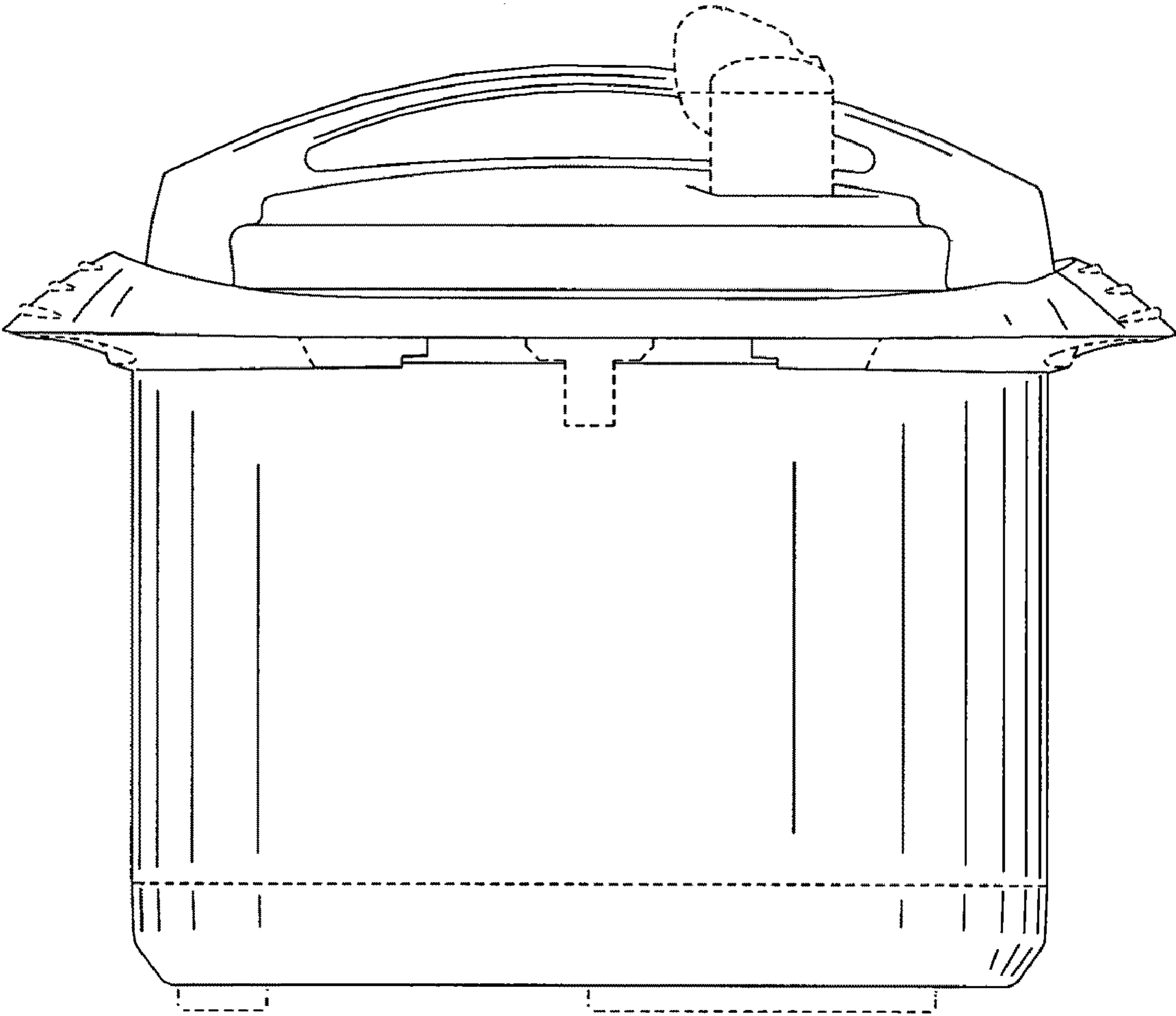


FIG 5

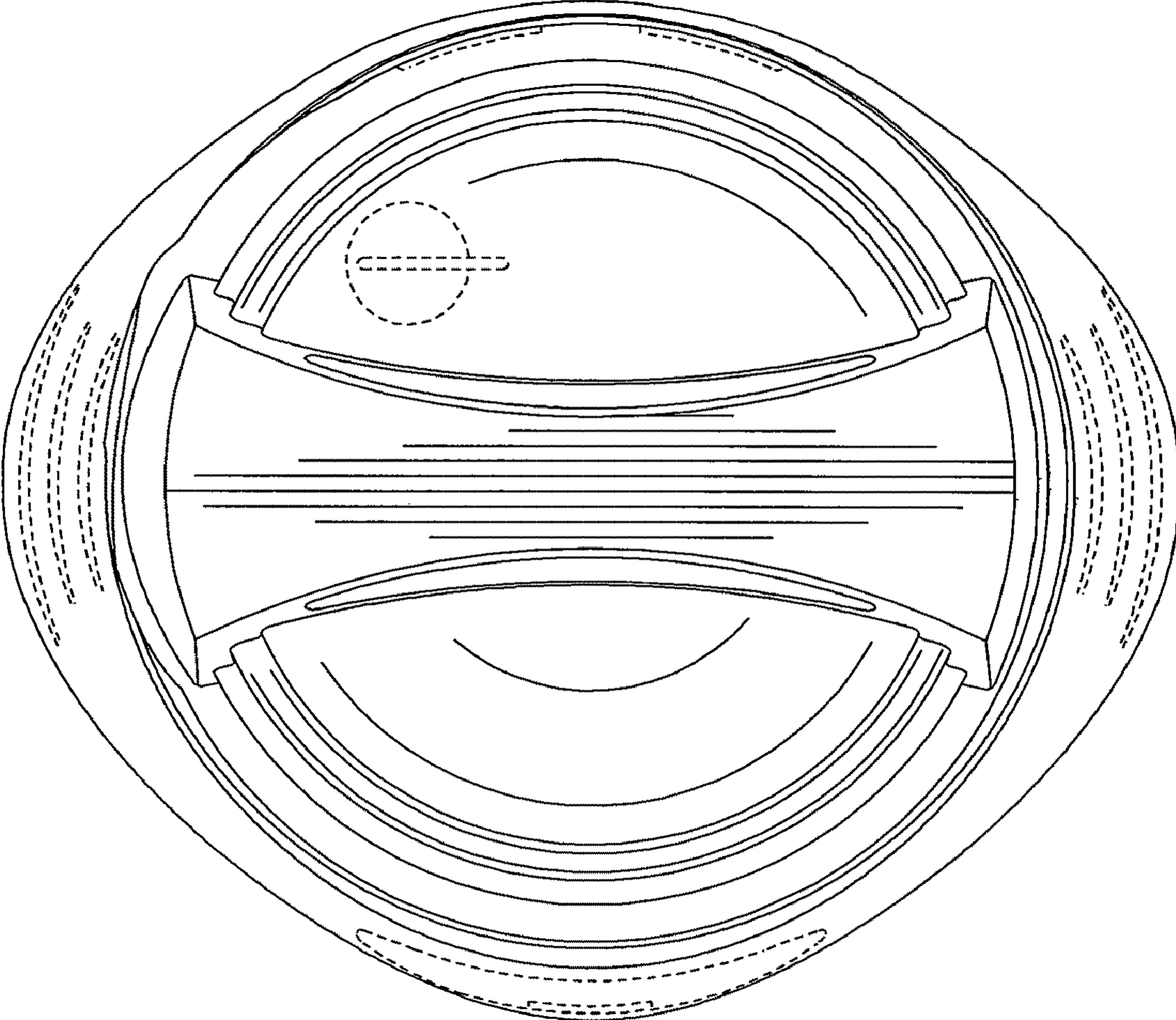


FIG 6

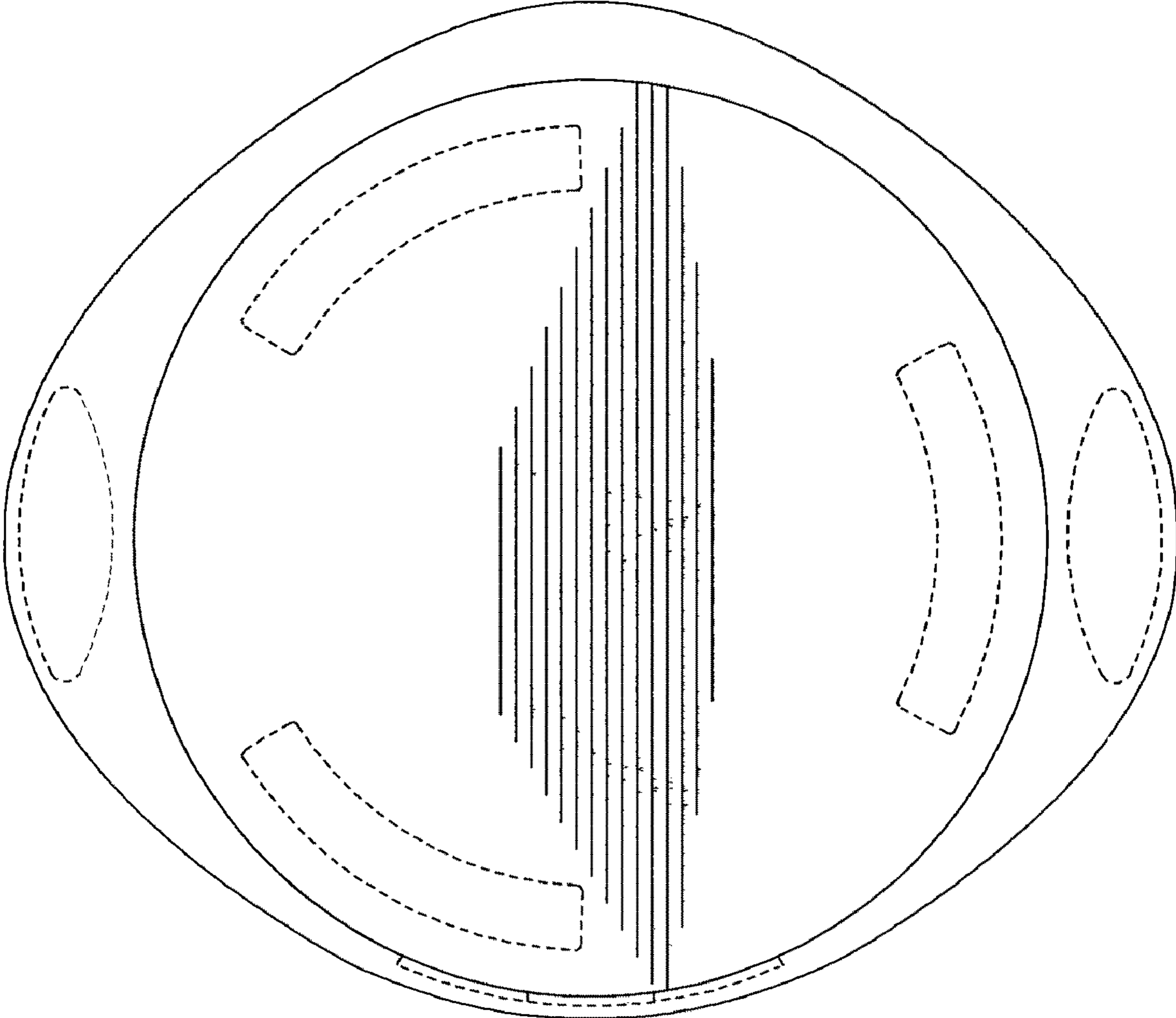


FIG 7