



US00D594693S

(12) **United States Design Patent**
Hsu

(10) **Patent No.:** **US D594,693 S**
(45) **Date of Patent:** **** Jun. 23, 2009**

(54) **FRYER AND ROASTER**

D519,776 S * 5/2006 Chen D7/352
D543,410 S * 5/2007 Cohen et al. D7/352

(75) Inventor: **Peihong Hsu**, Zhongli (TW)

* cited by examiner

(73) Assignee: **Tsann Kuen(China) Enterprise Co., Ltd**, Xiamen (CN)

Primary Examiner—Caron Veynar
Assistant Examiner—Ricky Pham

(**) Term: **14 Years**

(74) *Attorney, Agent, or Firm*—Kening Li

(21) Appl. No.: **29/319,975**

(57) **CLAIM**

(22) Filed: **Jun. 18, 2008**

The ornamental design for a fryer and roaster, as shown and described.

(51) **LOC (9) Cl.** **07-02**

(52) **U.S. Cl.** **D7/354**

(58) **Field of Classification Search** D7/323,
D7/328–332, 334–341, 347–349, 352–363,
D7/609; 99/219, 331, 339–340, 349, 369,
99/372–375, 385–386, 389, 425, 444, 446,
99/466, 601, 618, 620; 219/524–525, 620–622,
219/732–734

See application file for complete search history.

DESCRIPTION

FIG. 1 is a front view of the present fryer and roaster;
FIG. 2 is a rear view thereof;
FIG. 3 is a side elevational view thereof, the opposite side being a mirror image;
FIG. 4 is a top view thereof;
FIG. 5 is a is an isometric view thereof; and,
FIG. 6 is a bottom plan view thereof.

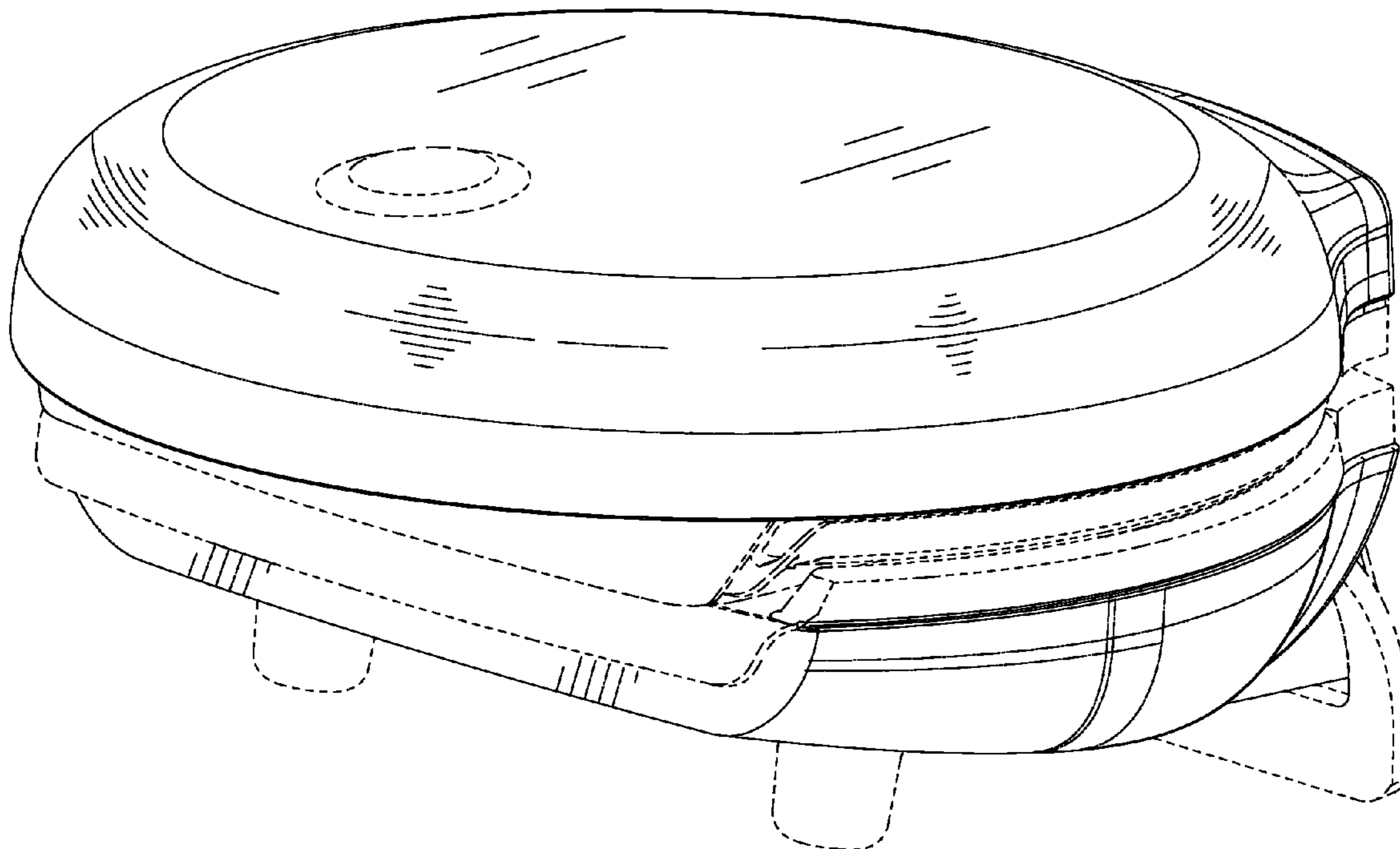
The subject matter in broken lines is provided for environmental purposes only and is not considered part of the claimed design.

(56) **References Cited**

U.S. PATENT DOCUMENTS

D334,108 S * 3/1993 Fisher D7/323
D463,950 S * 10/2002 Wu D7/352
D464,230 S * 10/2002 Wu D7/352
D467,766 S * 12/2002 Wanat et al. D7/352

1 Claim, 6 Drawing Sheets



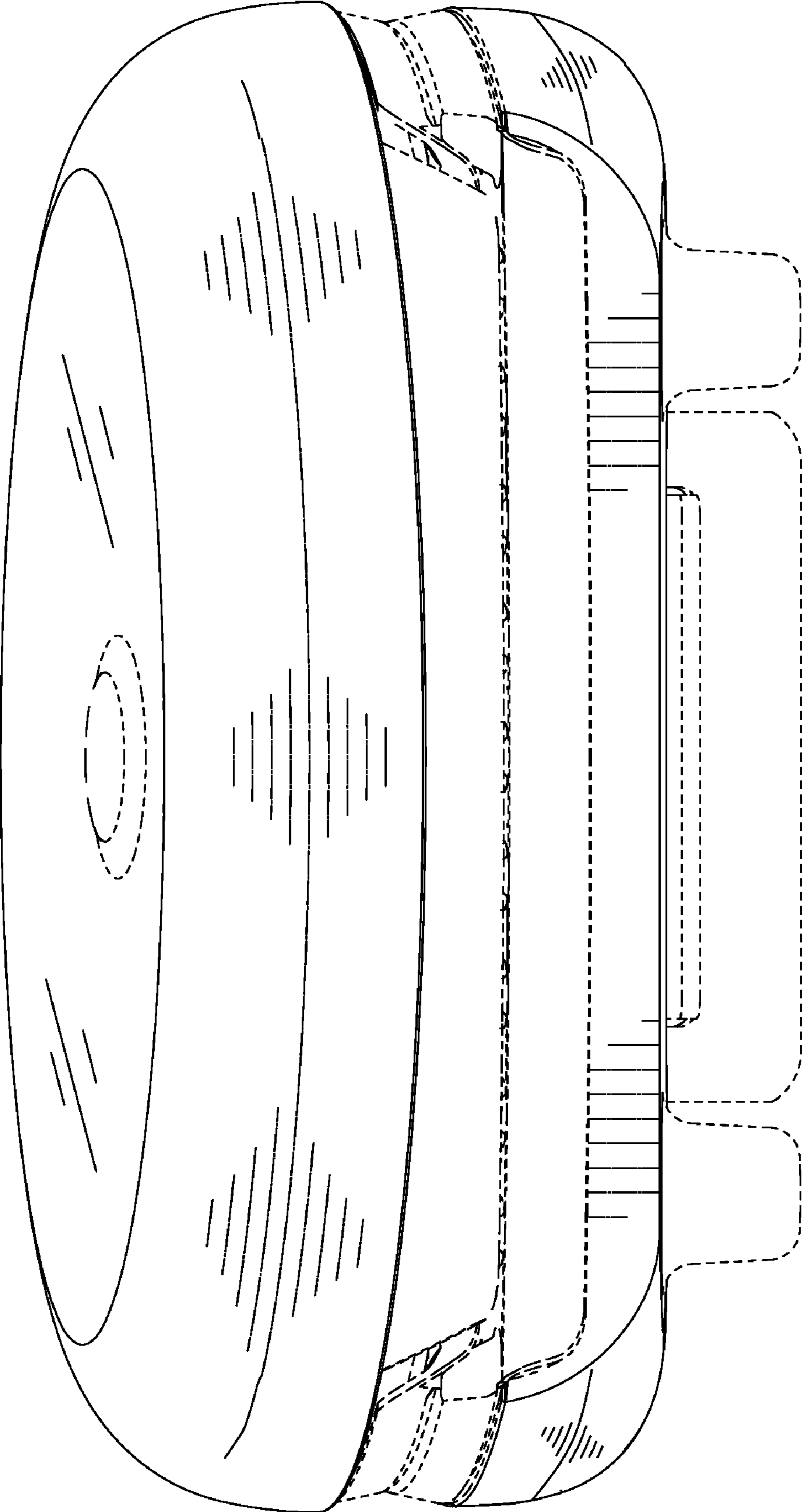


fig.1

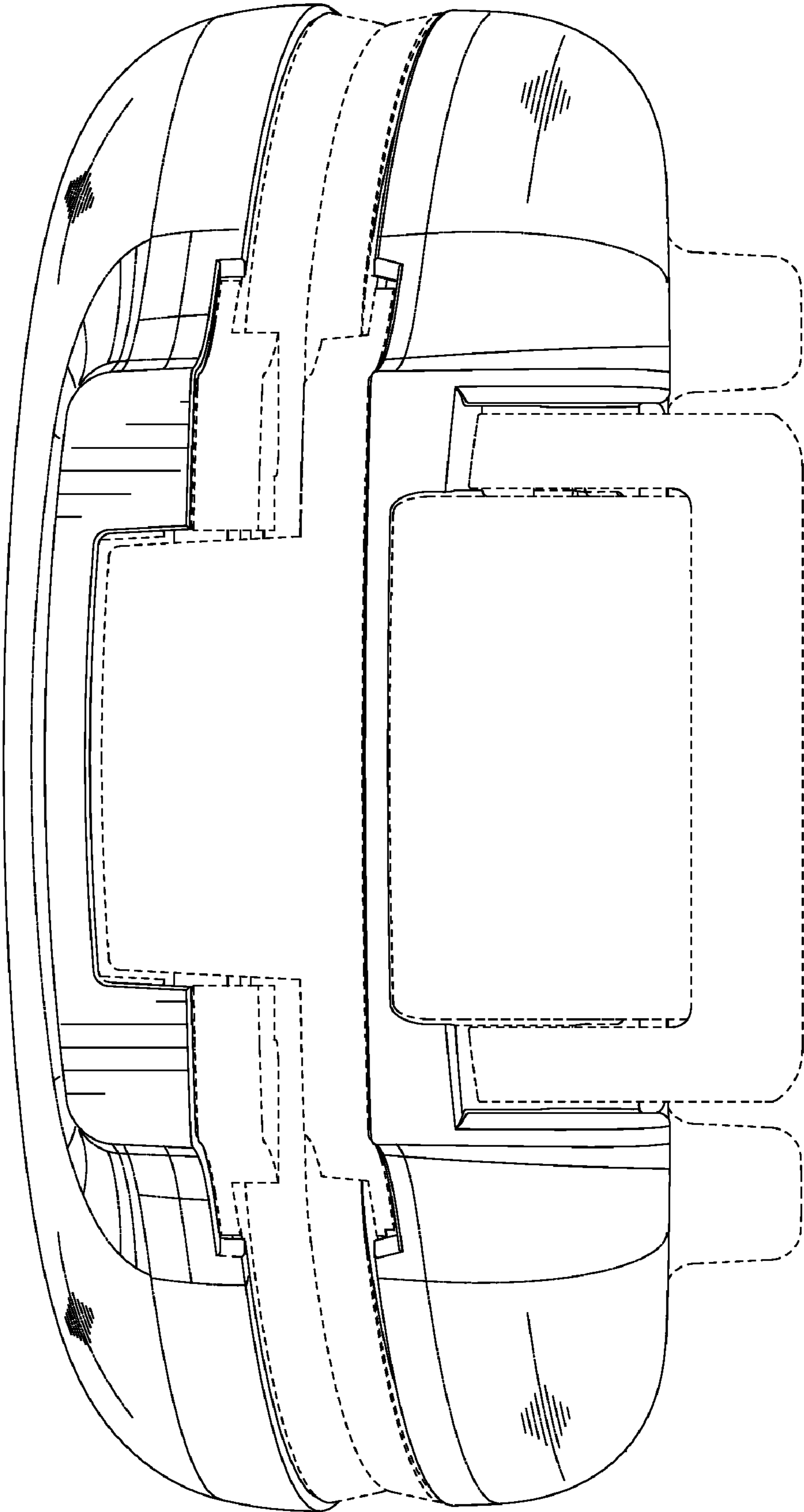


fig.2

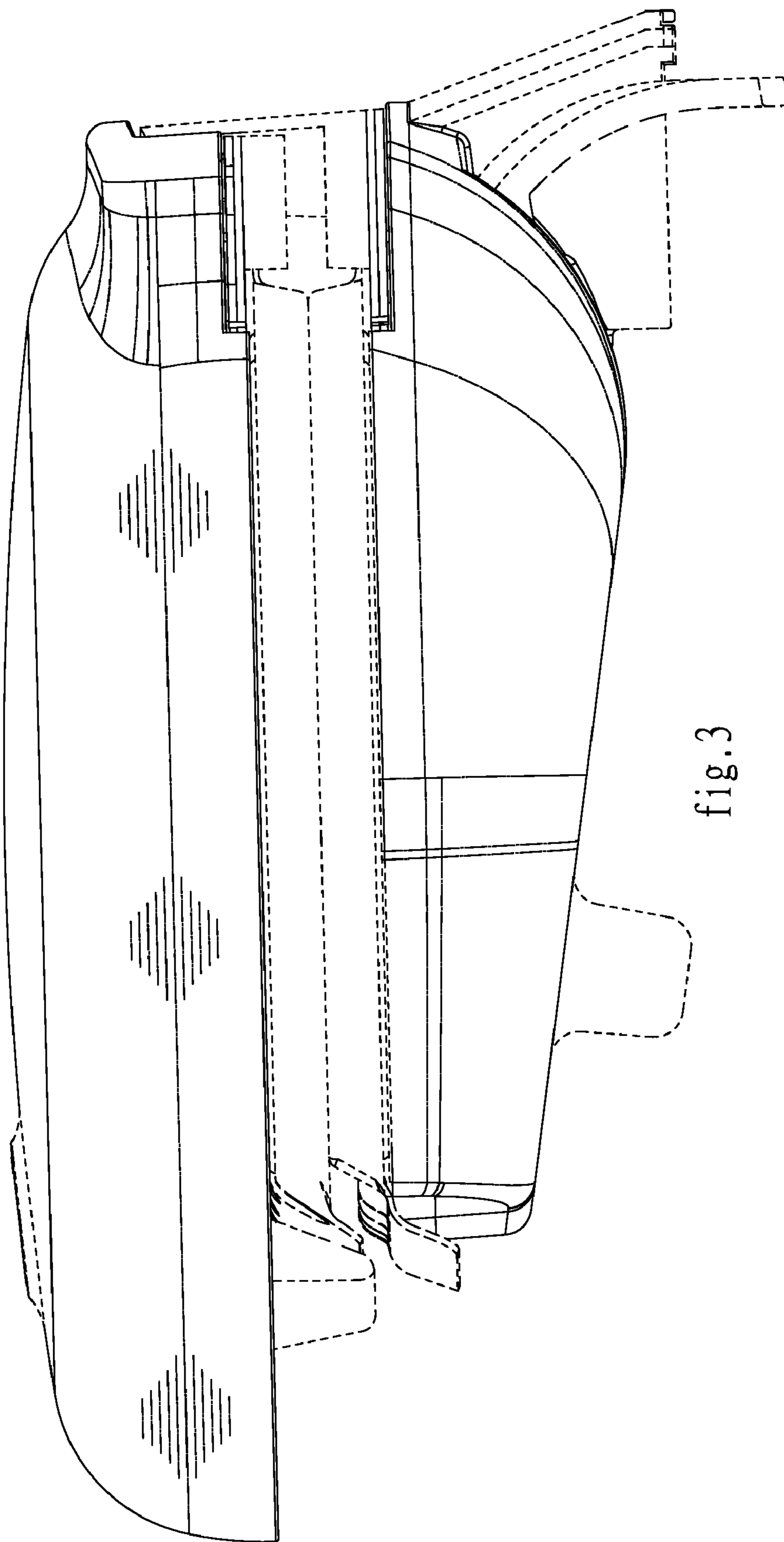


fig.3

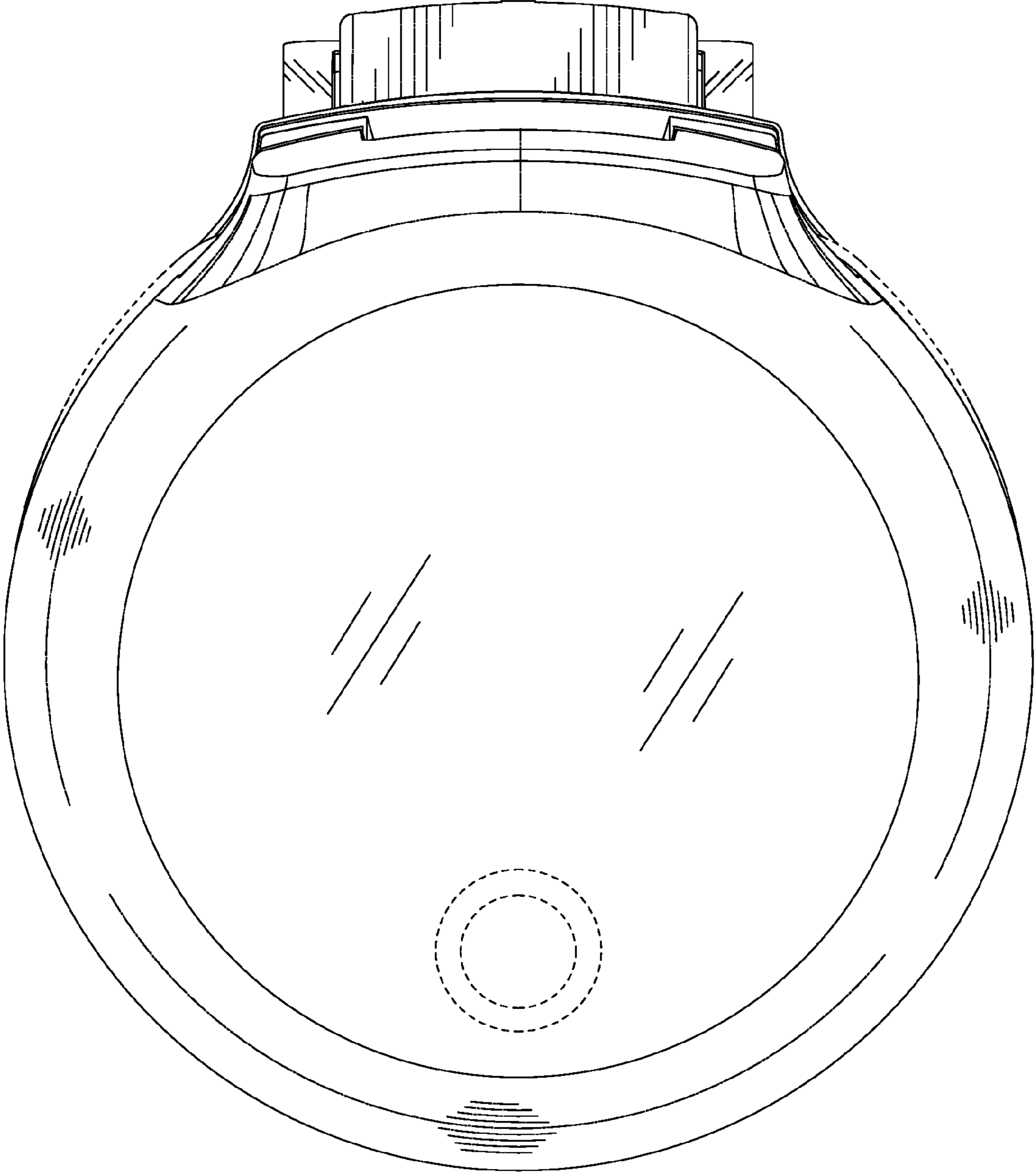


fig.4

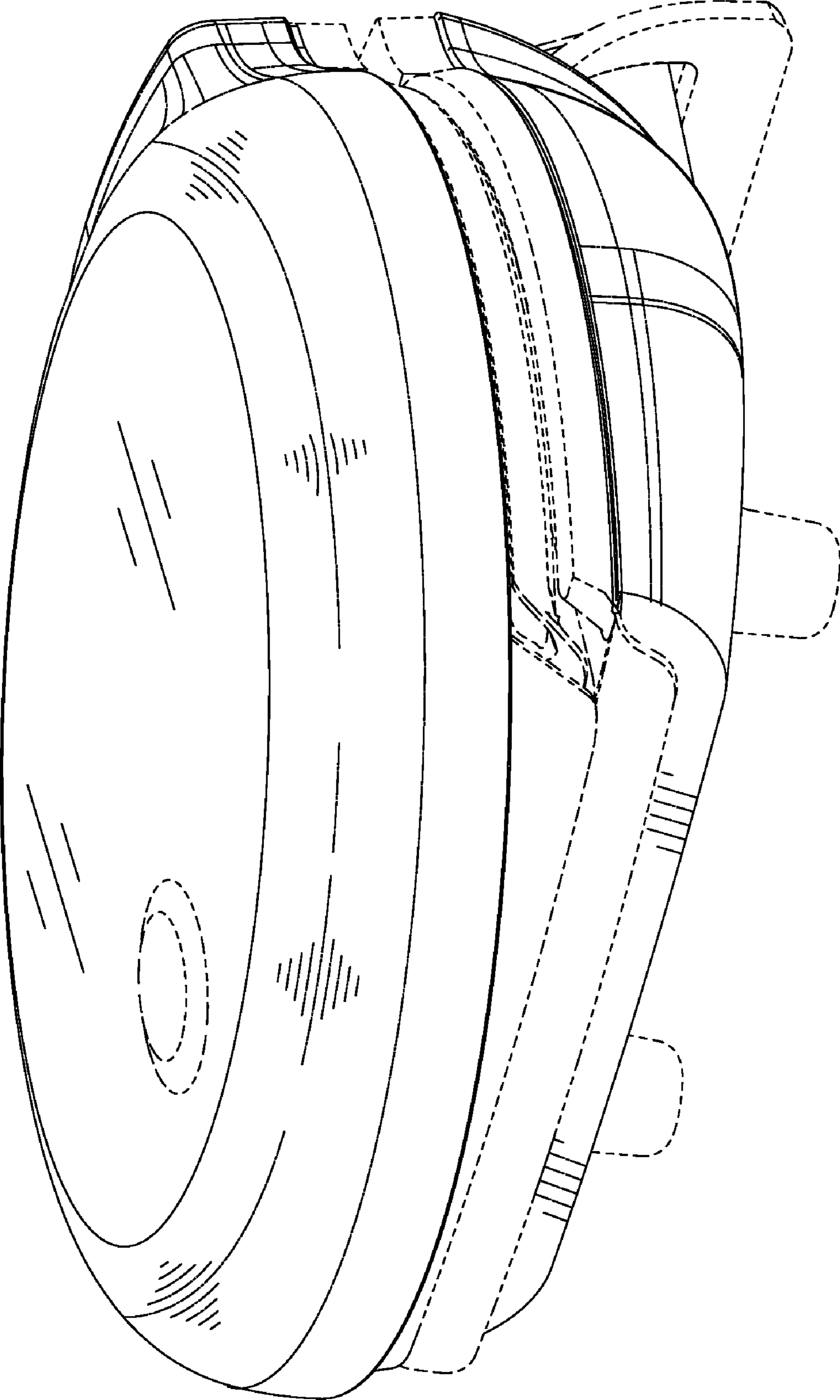


fig.5

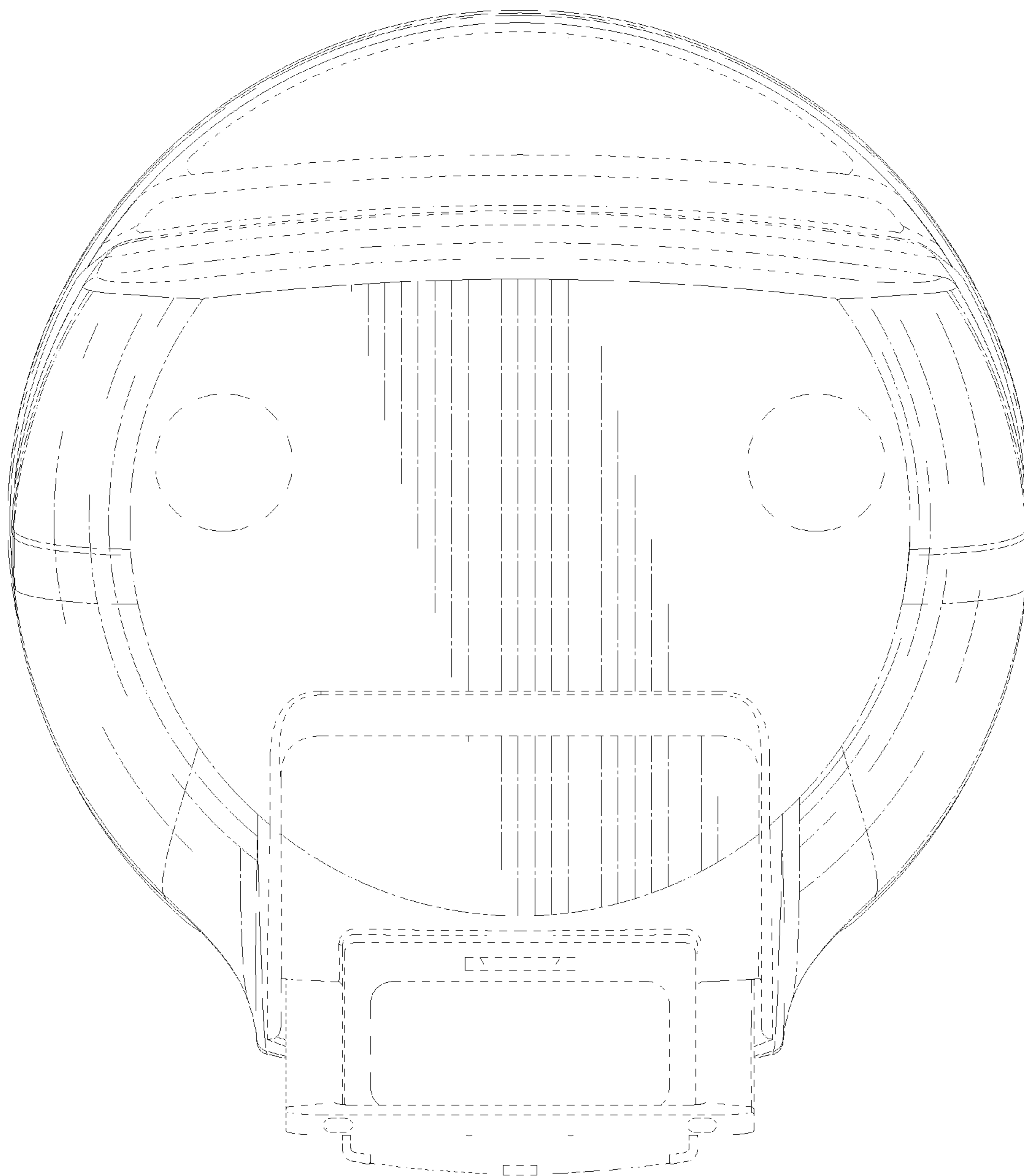


fig.6