



US00D594692S

(12) **United States Design Patent**
Shin et al.

(10) **Patent No.:** **US D594,692 S**
(45) **Date of Patent:** **** Jun. 23, 2009**

(54) **MICROWAVE OVEN**

D577,949 S * 10/2008 Kim D7/351
D578,823 S * 10/2008 Kim D7/340

(75) Inventors: **Dae Kee Shin**, Seoul (KR); **Soo Yeon Kim**, Seoul (KR)

* cited by examiner

(73) Assignee: **LG Electronics Inc.**, Seoul (KR)

Primary Examiner—Catherine R Oliver
(74) *Attorney, Agent, or Firm*—Morgan Lewis & Bockius LLP

(**) Term: **14 Years**

(21) Appl. No.: **29/300,018**

(57) **CLAIM**

(22) Filed: **Feb. 8, 2008**

The ornamental design for a microwave oven, as shown and described.

(30) **Foreign Application Priority Data**

DESCRIPTION

Aug. 13, 2007 (KR) 30-2007-0034697

FIG. 1 is a front, right perspective of the microwave oven showing my new design;

(51) **LOC (9) Cl.** **07-02**

FIG. 2 is a front view thereof;

(52) **U.S. Cl.** **D7/351; D7/348**

FIG. 3 is a rear view thereof;

(58) **Field of Classification Search** D7/351,
D7/339–349, 402, 407–408; 126/273 A,
126/19 R, 39 C, 211, 275 R, 257 E, 273 R,
126/273 S; 219/552, 458, 460, 464, 538;
99/402–403, 385

FIG. 4 is a left side view thereof, with the right side view being a mirror image thereof;

See application file for complete search history.

FIG. 5 is a top plan view thereof; and,

FIG. 6 is a bottom plan view thereof.

(56) **References Cited**

The broken line showing of environment in the drawings is included for the purpose of illustrating only and forms no part of the claimed design.

U.S. PATENT DOCUMENTS

D215,126 S * 9/1969 Mango D7/351

1 Claim, 5 Drawing Sheets

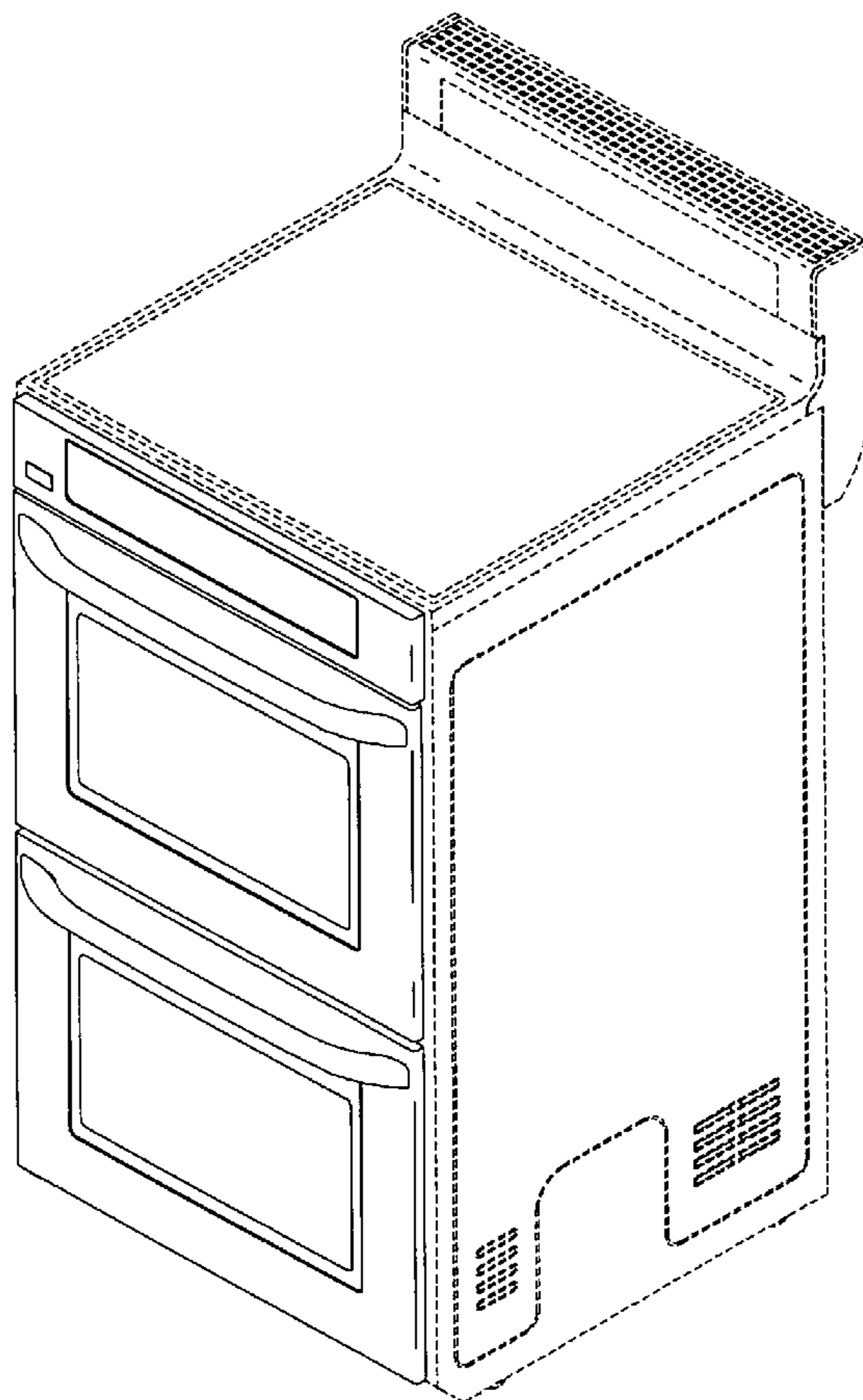


FIG. 1

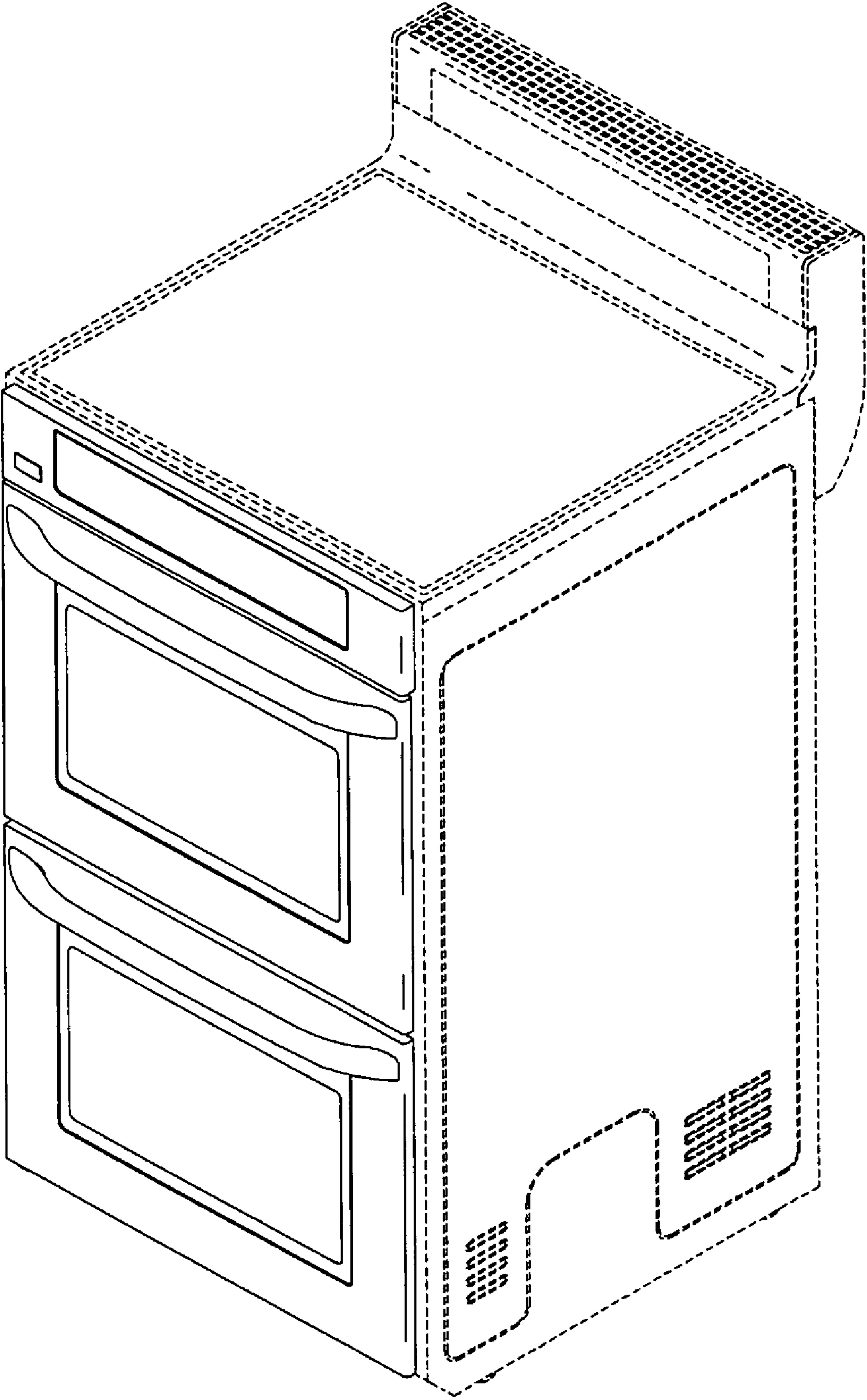


FIG. 2

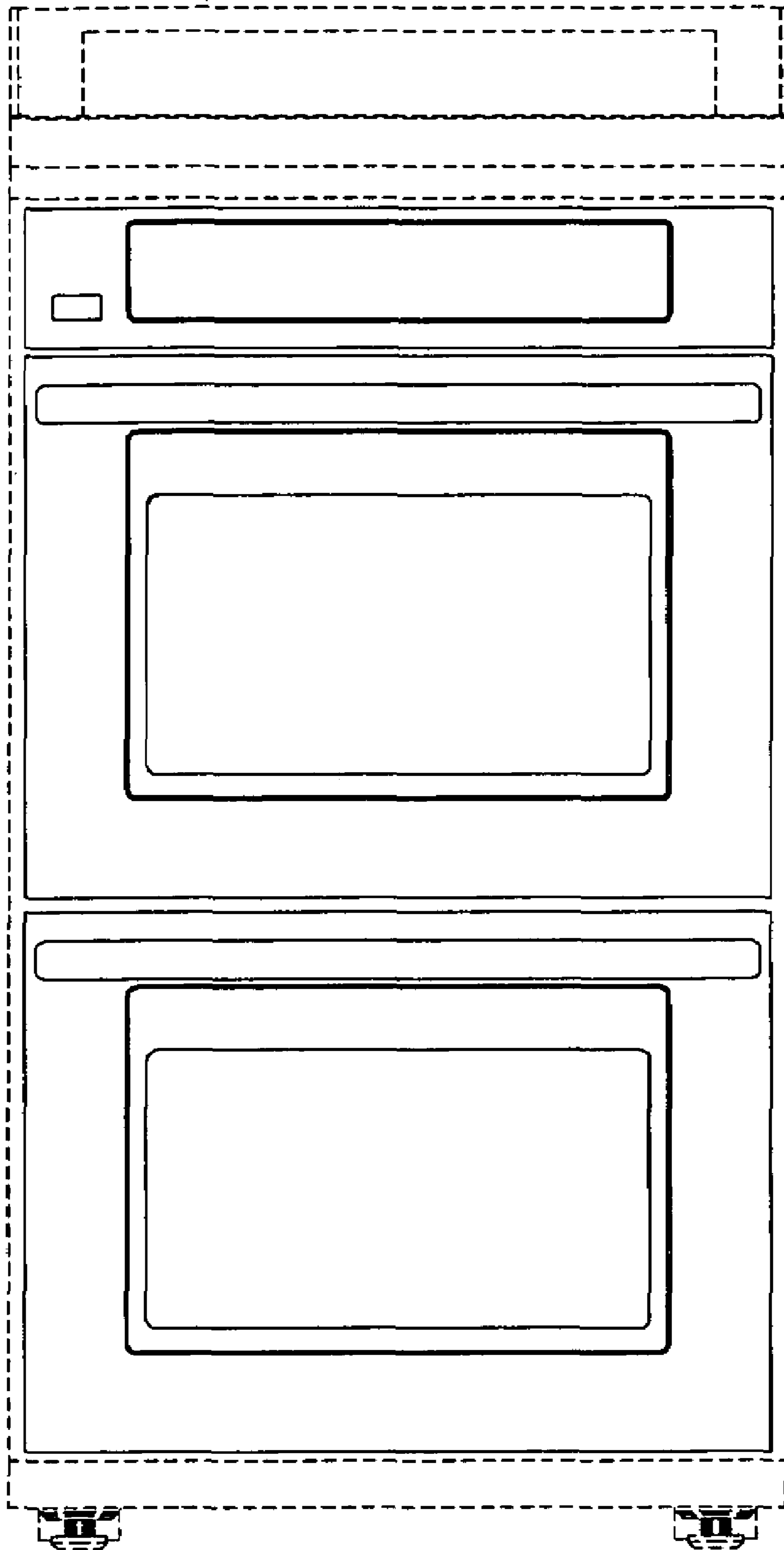


FIG. 3

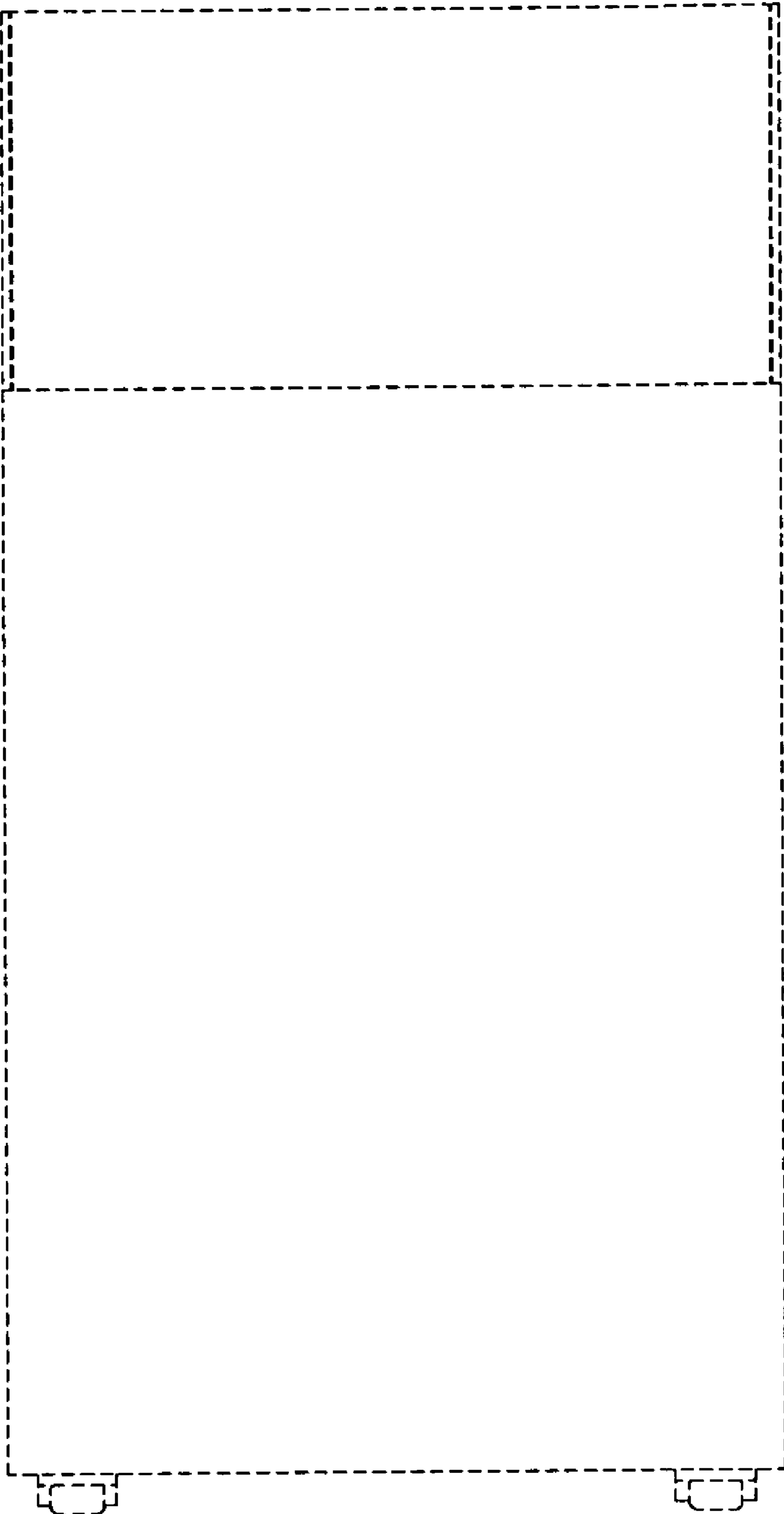


FIG. 4

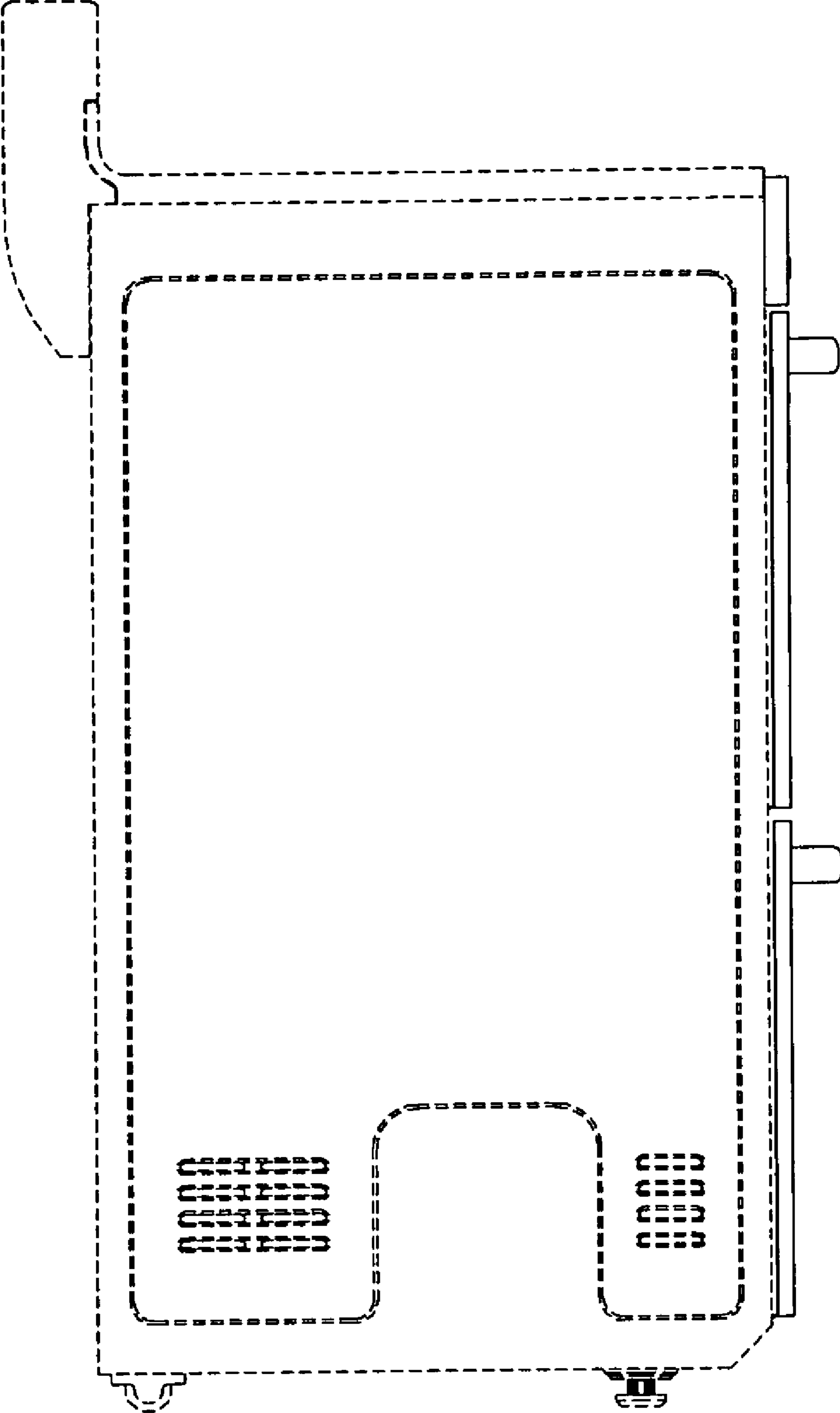


FIG. 5

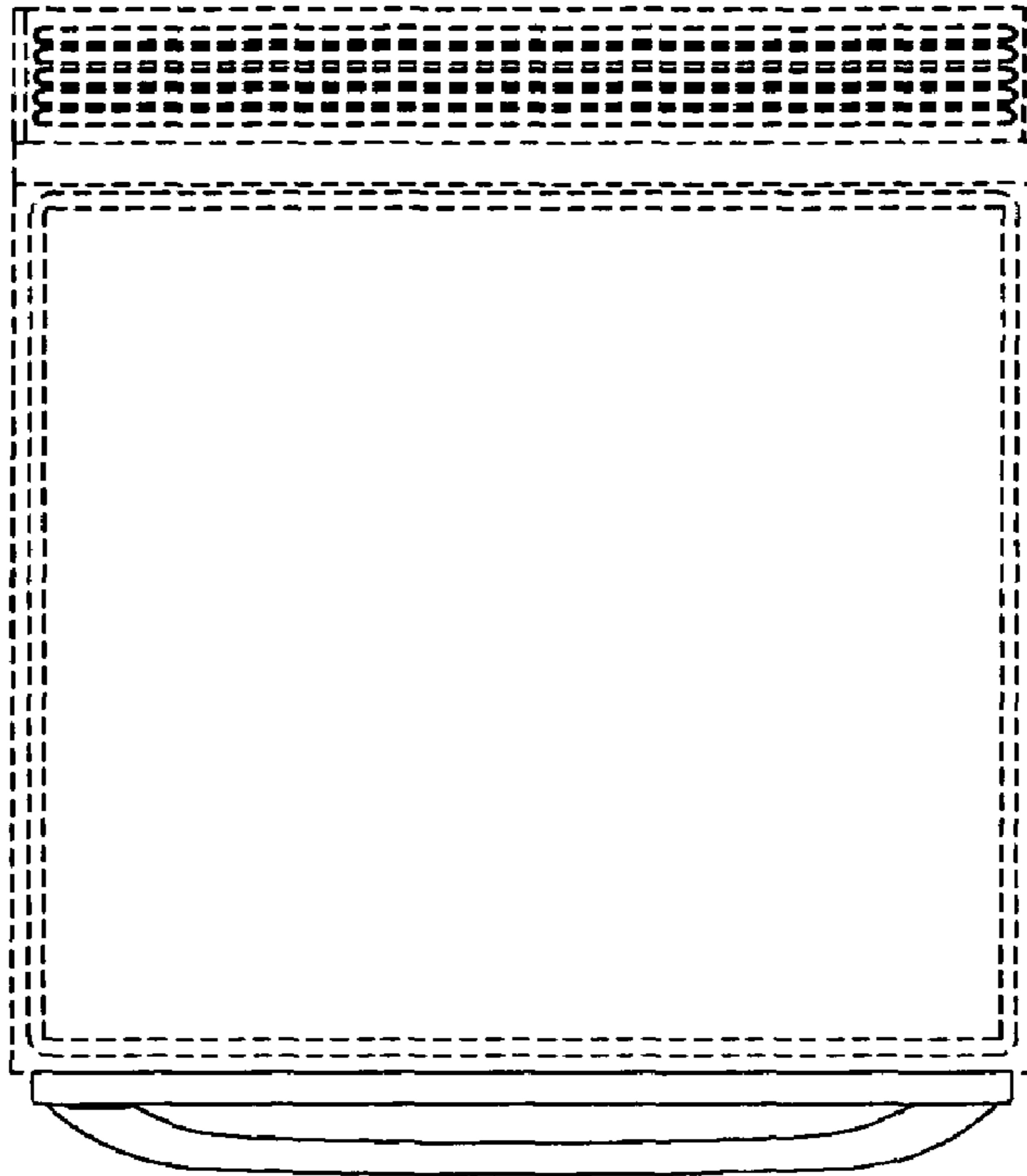


FIG. 6

