



US00D594690S

(12) **United States Design Patent**
Bursztein

(10) **Patent No.:** **US D594,690 S**
(45) **Date of Patent:** **** Jun. 23, 2009**

(54) **PITCHER FOR FILTERING WATER**

(76) Inventor: **Slawomir Bursztein**, Ul. Rzeszowskall,
25-140 Kielce (PL)

(**) Term: **14 Years**

(21) Appl. No.: **29/269,520**

(22) Filed: **Nov. 30, 2006**

(51) **LOC (9) Cl.** **07-01**

(52) **U.S. Cl.** **D7/319; D7/317**

(58) **Field of Classification Search** **D7/300,**
D7/316-319, 312, 691; D23/207, 209; 73/304 R;
210/482, 266, 85, 232; 222/131, 105; 229/123.2;
220/270

See application file for complete search history.

(56) **References Cited**

U.S. PATENT DOCUMENTS

D388,654 S *	1/1998	Bouhuys	D7/319
D415,922 S *	11/1999	Kawasaki et al.	D7/317
5,989,424 A	11/1999	Serenko et al.	
D437,175 S *	2/2001	Brady	D7/319
D440,110 S *	4/2001	Tanner et al.	D7/319
D444,662 S *	7/2001	McGrath et al.	D7/319
D450,531 S	11/2001	McGrath et al.	
D459,941 S *	7/2002	Miller	D7/392
D465,377 S *	11/2002	Murison et al.	D7/319
6,953,523 B2 *	10/2005	Vandenbelt et al.	210/85
D520,597 S *	5/2006	Witte	D23/209
7,107,838 B2 *	9/2006	Chai et al.	73/304 R
D546,113 S *	7/2007	Ruoff	D7/319

* cited by examiner

Primary Examiner—Marianne Pandozzi
(74) *Attorney, Agent, or Firm*—Horst M. Kasper

(57) **CLAIM**

The ornamental design for a pitcher for filtering water, as shown and described.

DESCRIPTION

FIG. 1 is a left side elevational view of a pitcher for filtering water showing my new design;

FIG. 2 is a perspective view showing the electronic sensor on the cover of the pitcher thereof;

FIG. 3 is a bottom plan view thereof;

FIG. 4 is an additional perspective view showing the electronic sensor on the cover of the pitcher in alternate position than in FIG. 2 thereof;

FIG. 5 is a top plan view thereof;

FIG. 6 is a top plan view showing the electronic sensor on the cover of the pitcher in alternate position than in FIG. 2 thereof;

FIG. 7 is an additional perspective view showing the cover of the pitcher thereof;

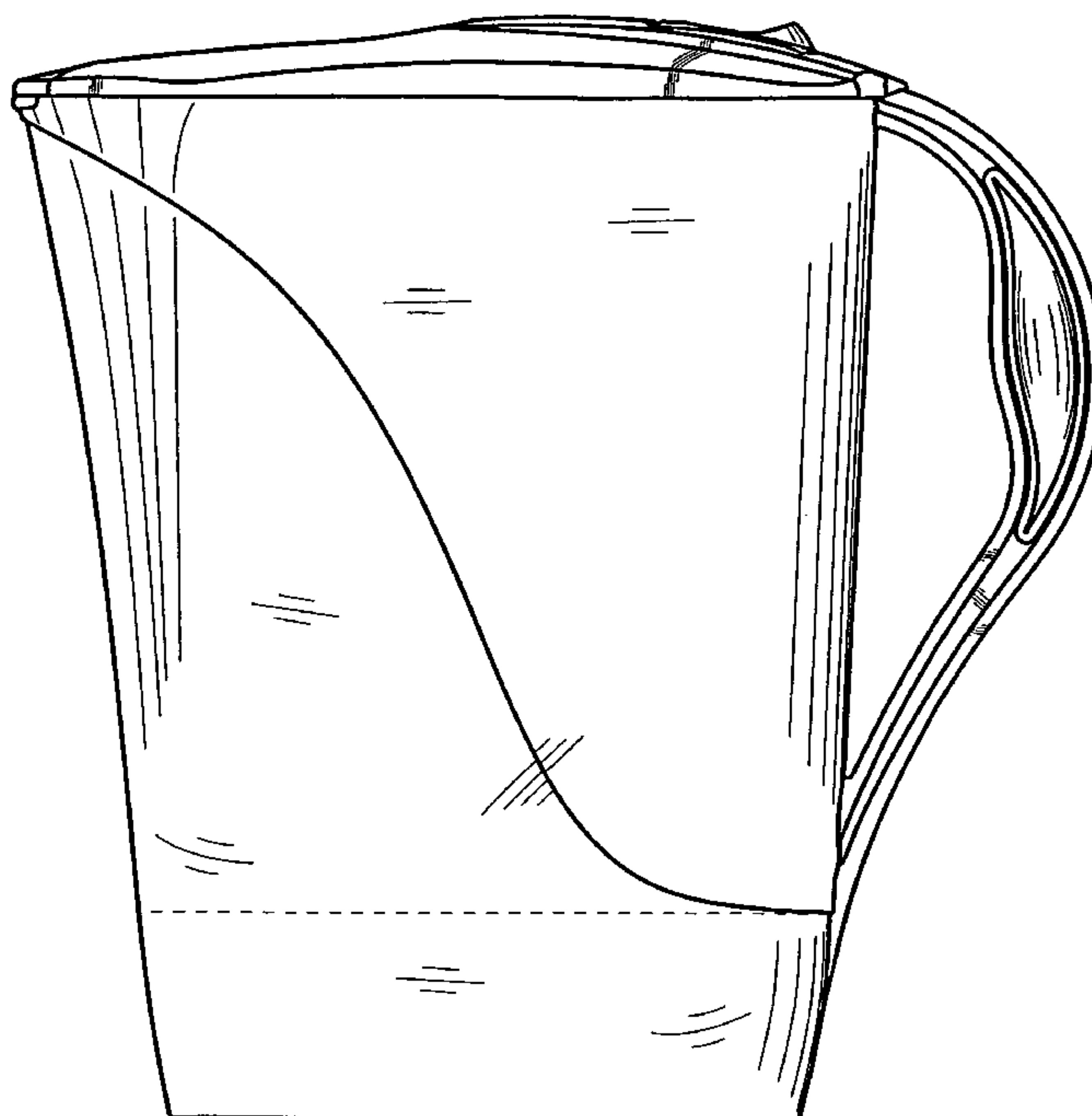
FIG. 8 is a right side elevational view thereof;

FIG. 9 is a rear elevational view thereof; and,

FIG. 10 is a front elevational view thereof.

The broken line in the drawings are for purposes of illustration form no part of the claimed design.

1 Claim, 10 Drawing Sheets



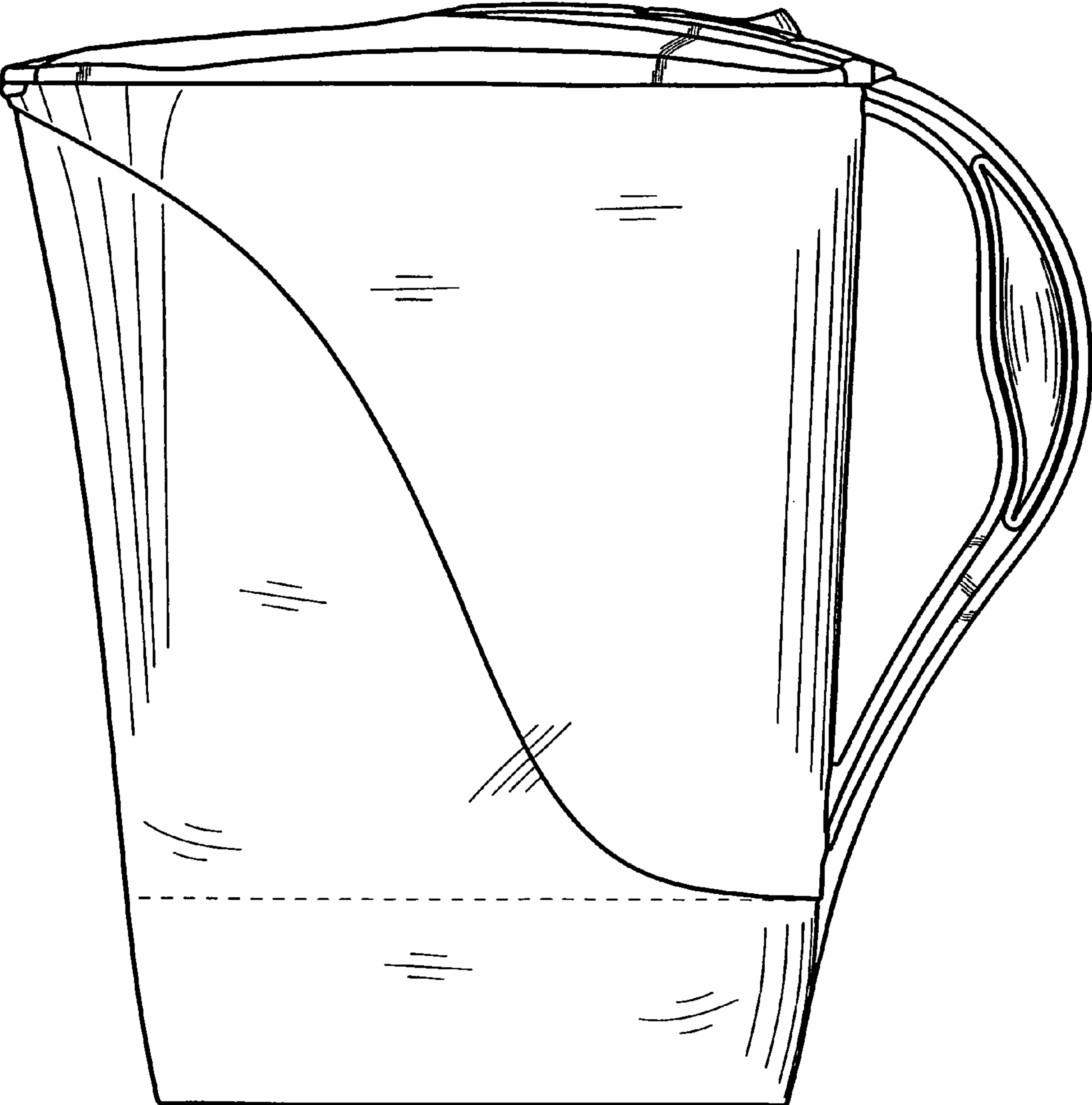


fig. 1

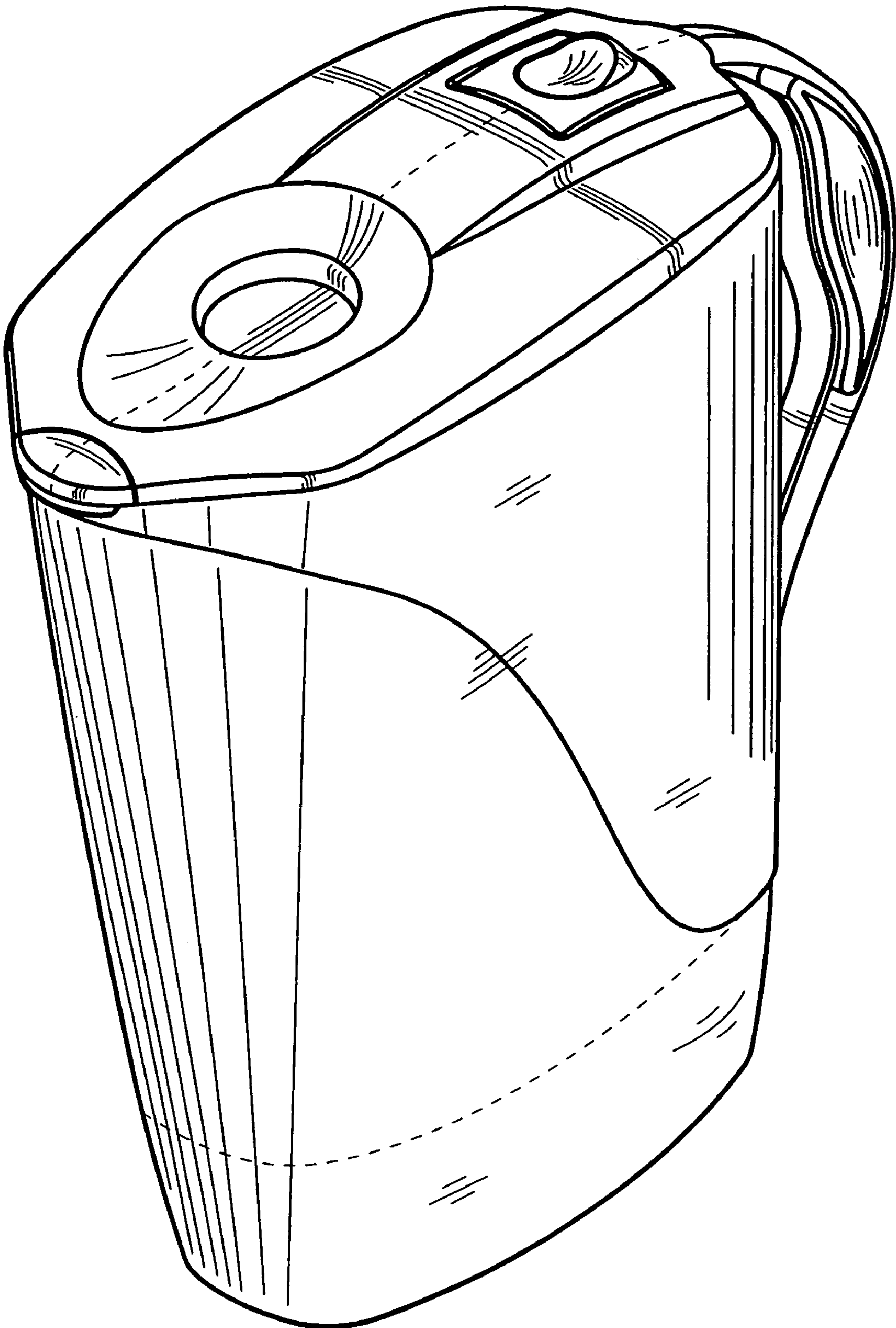


fig. 2

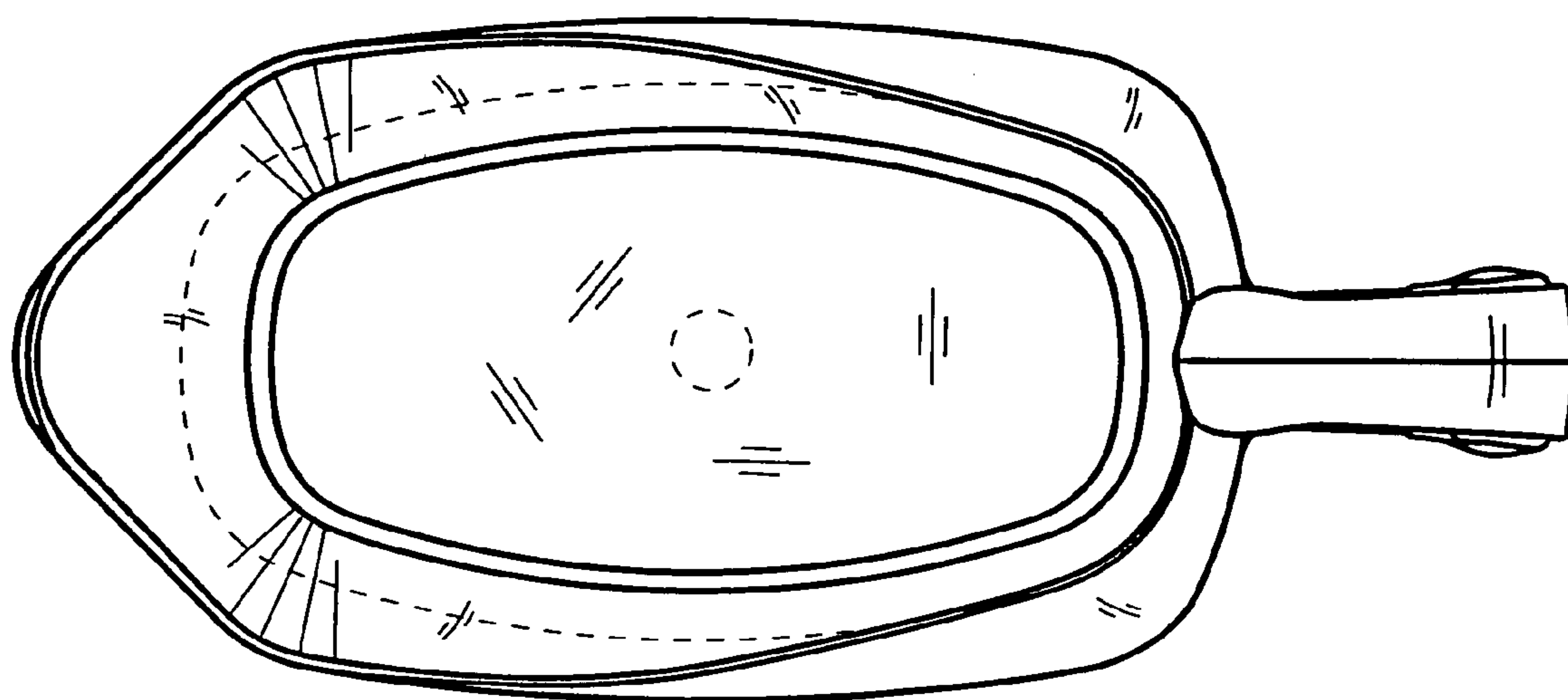


fig. 3

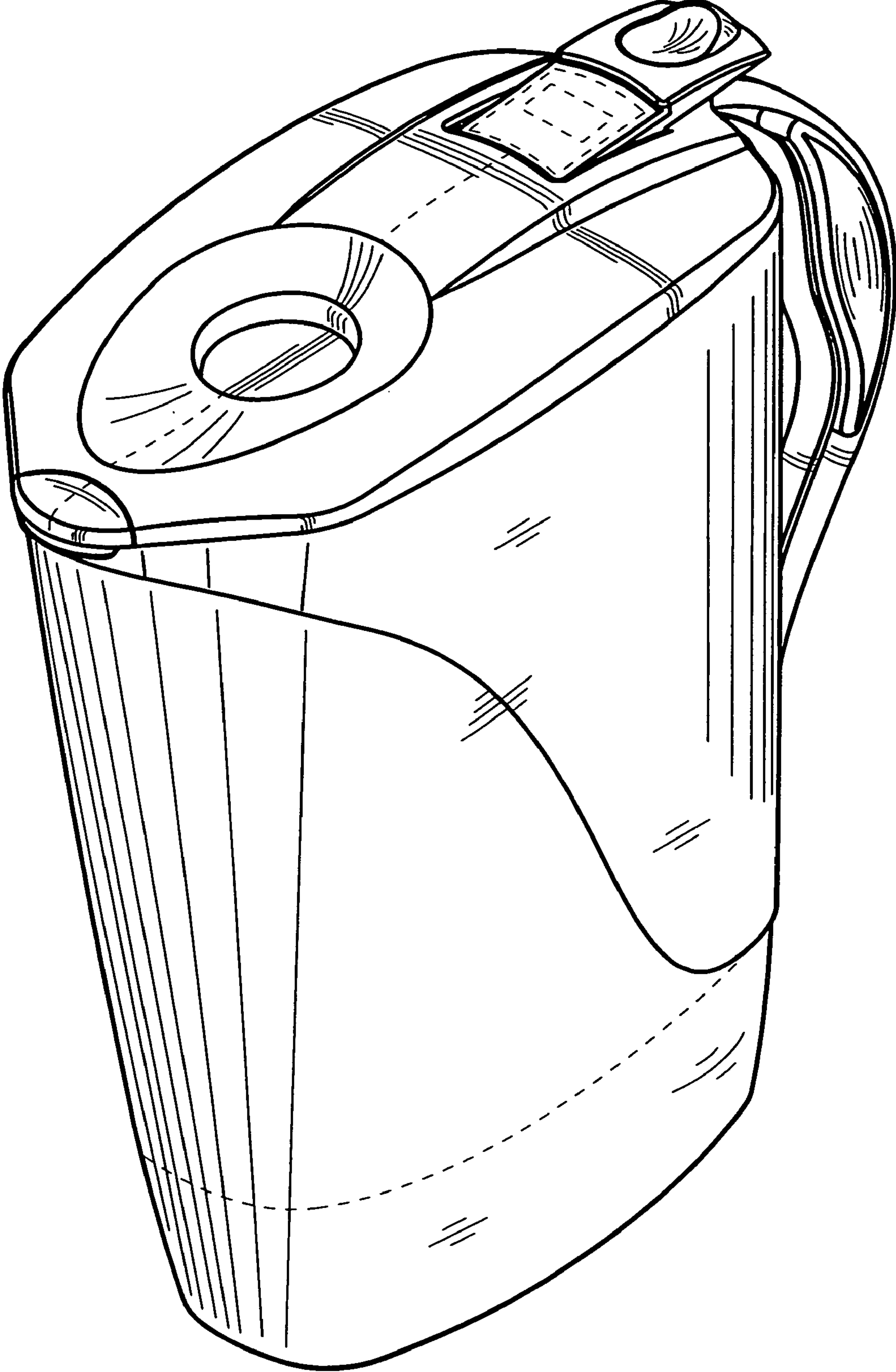


fig. 4

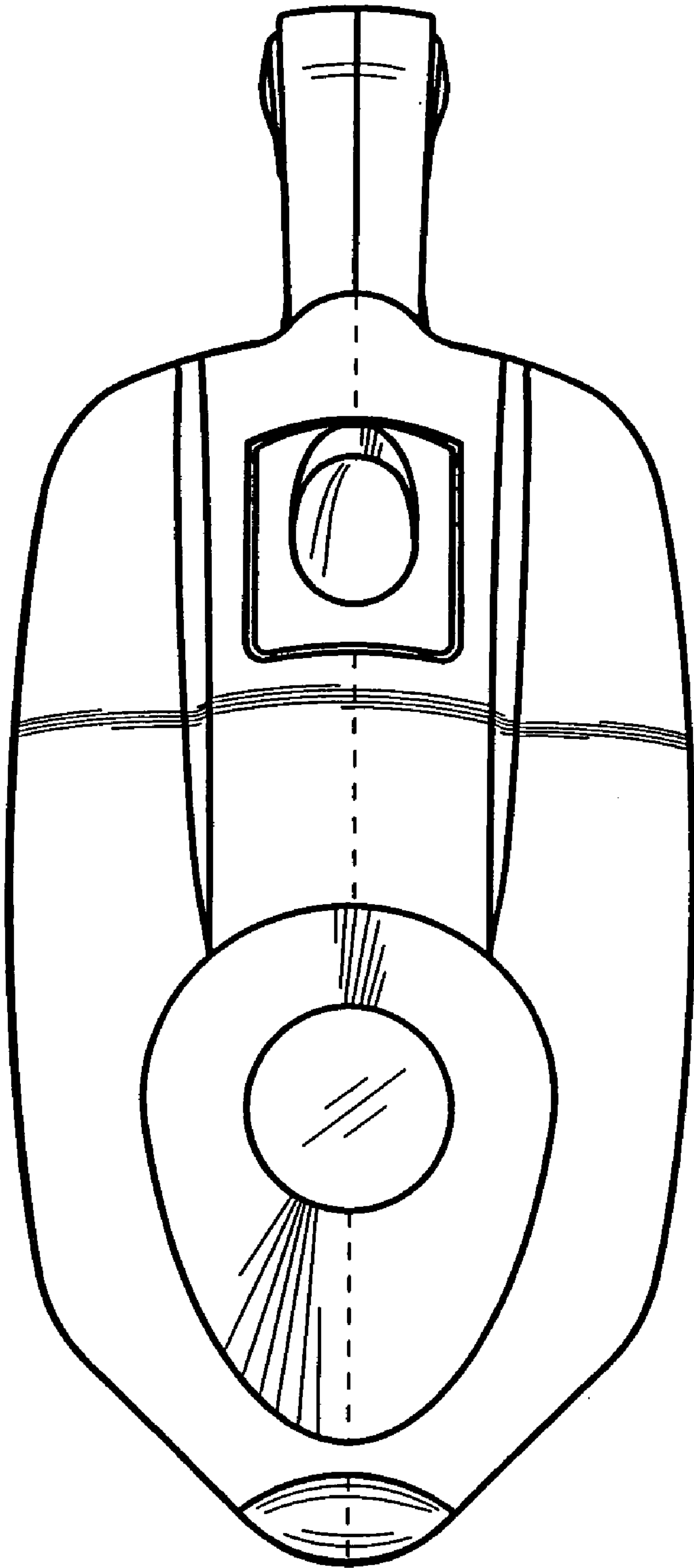


fig. 5

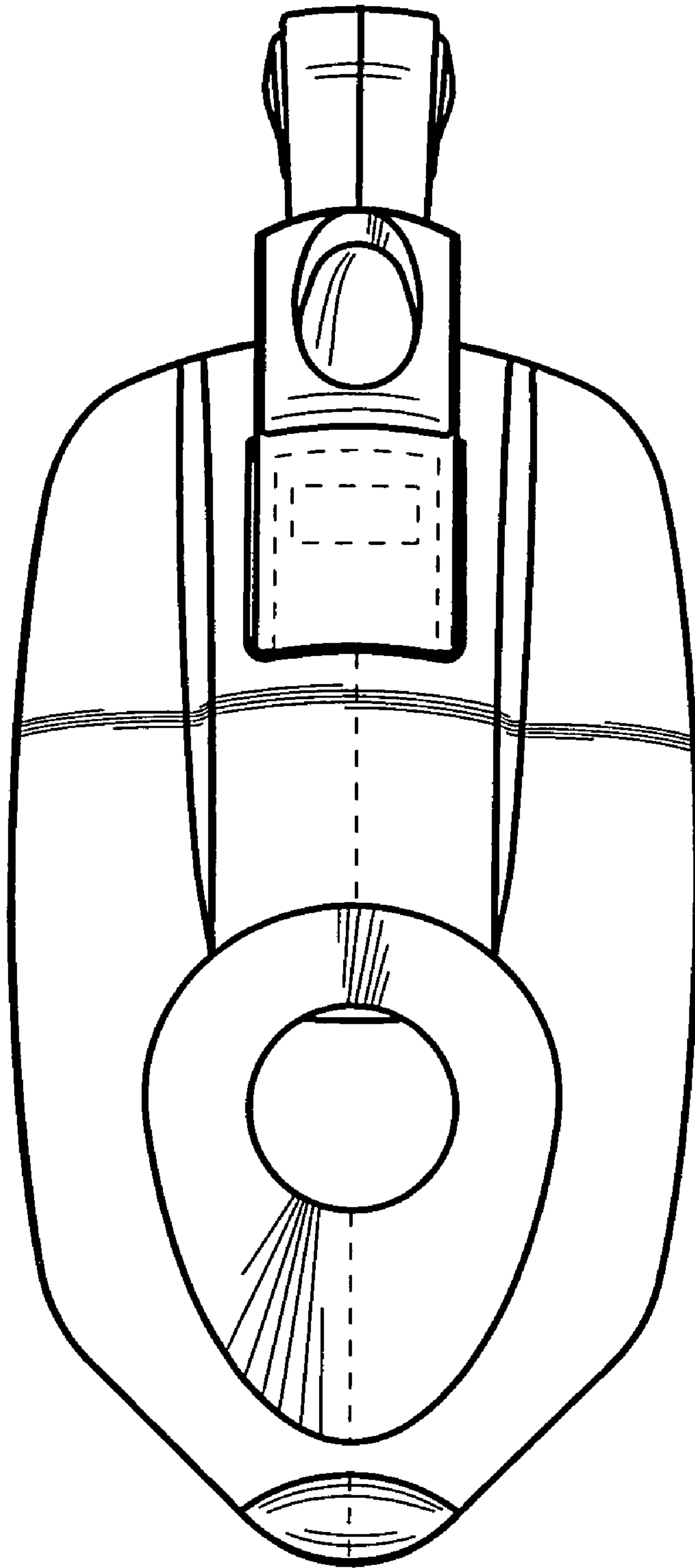


fig. 6

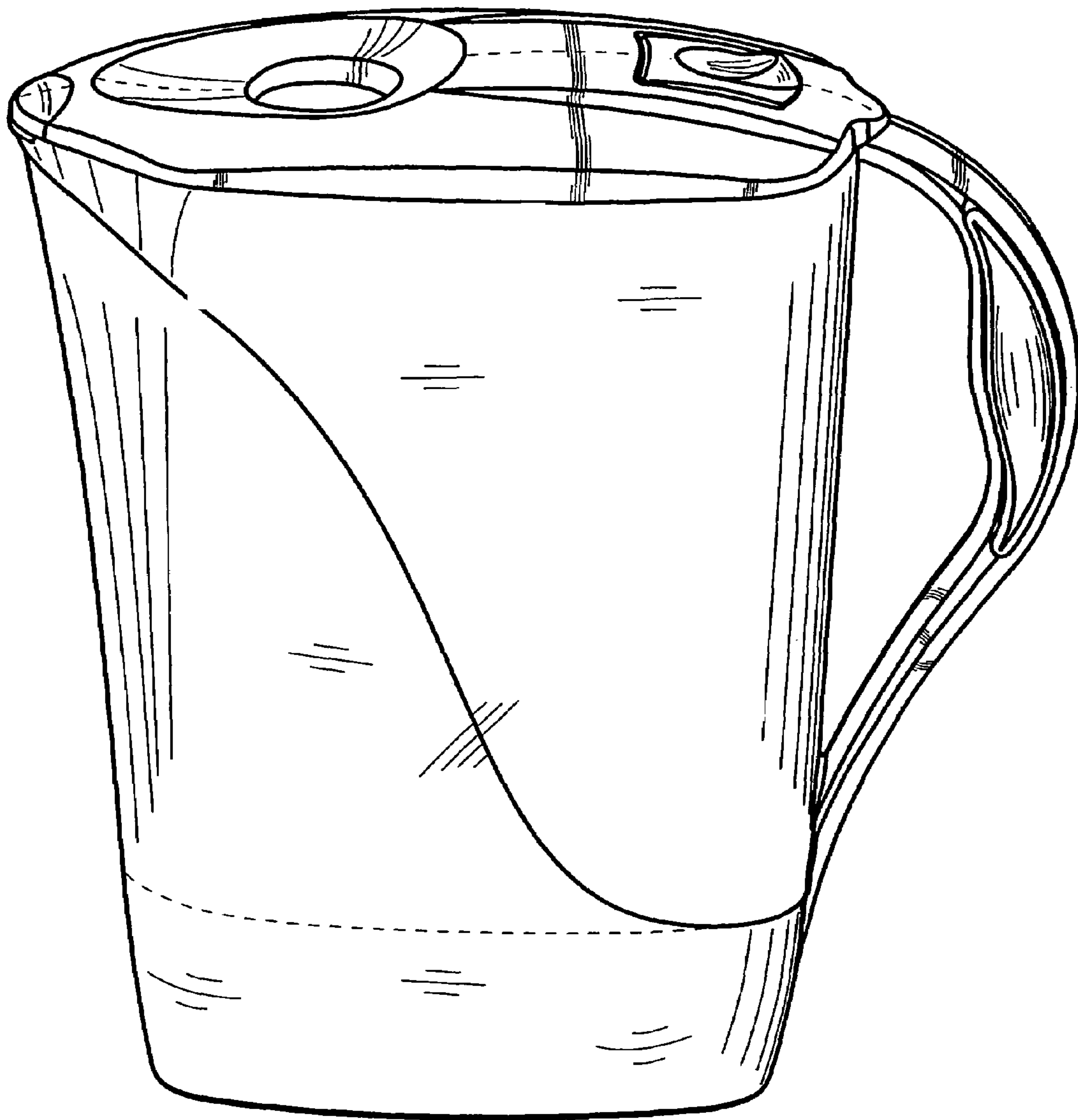


fig. 7

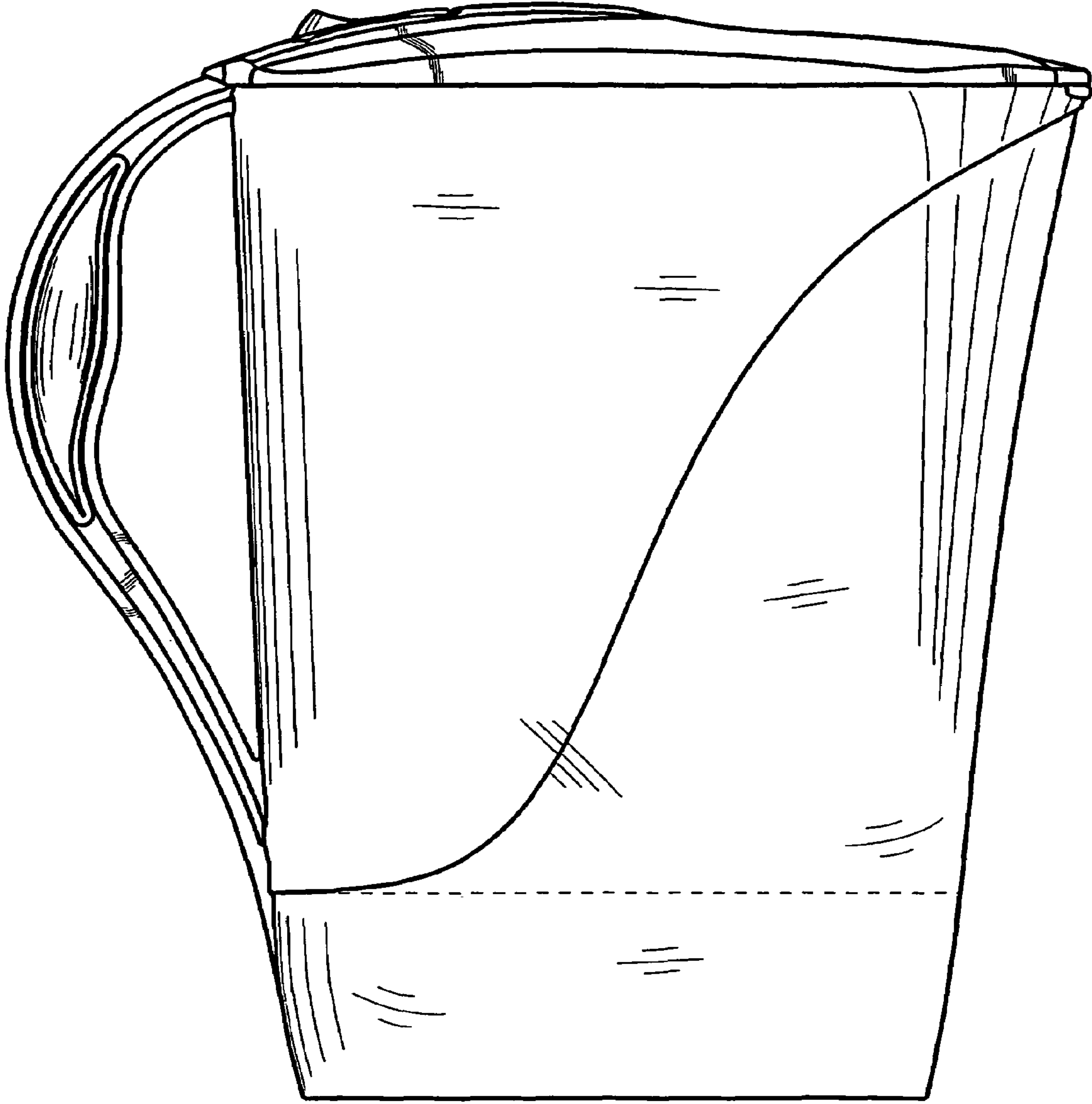


fig. 8

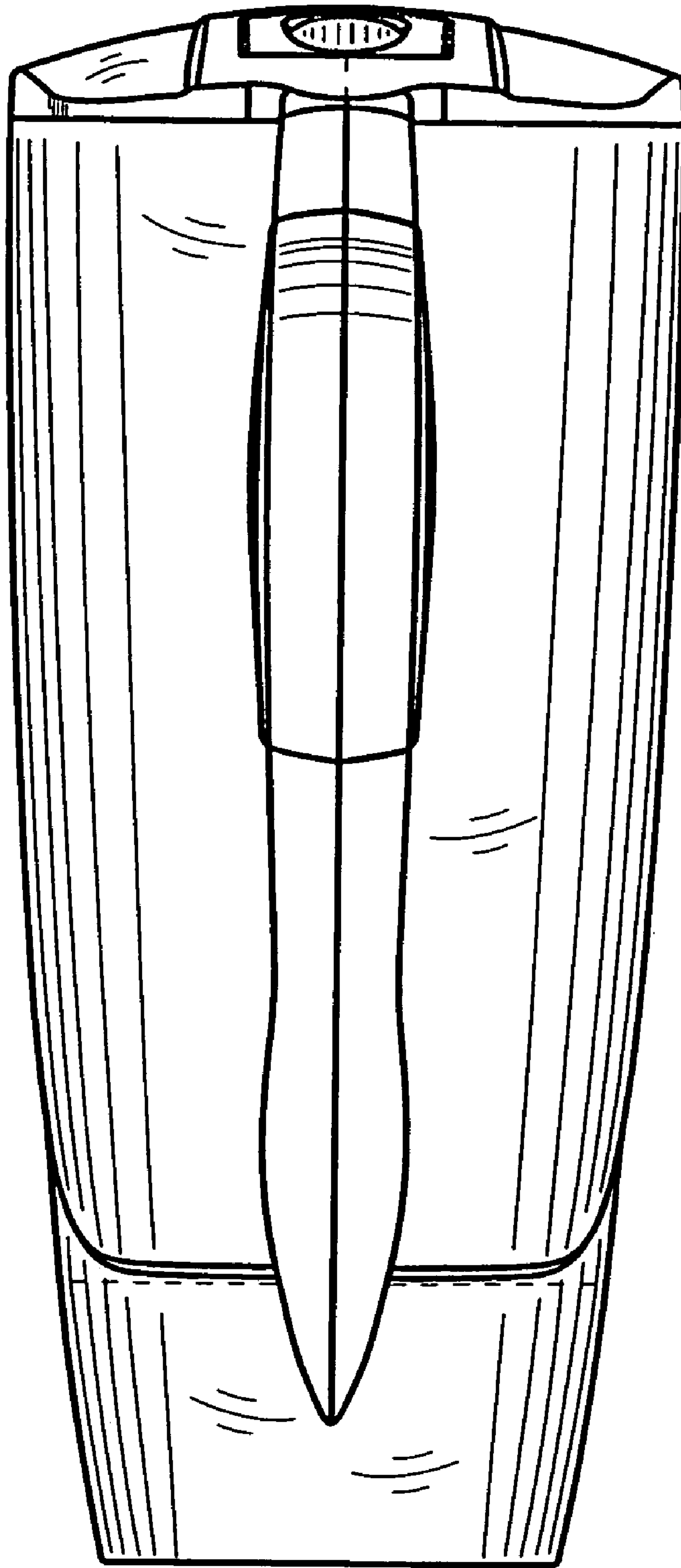


fig. 9

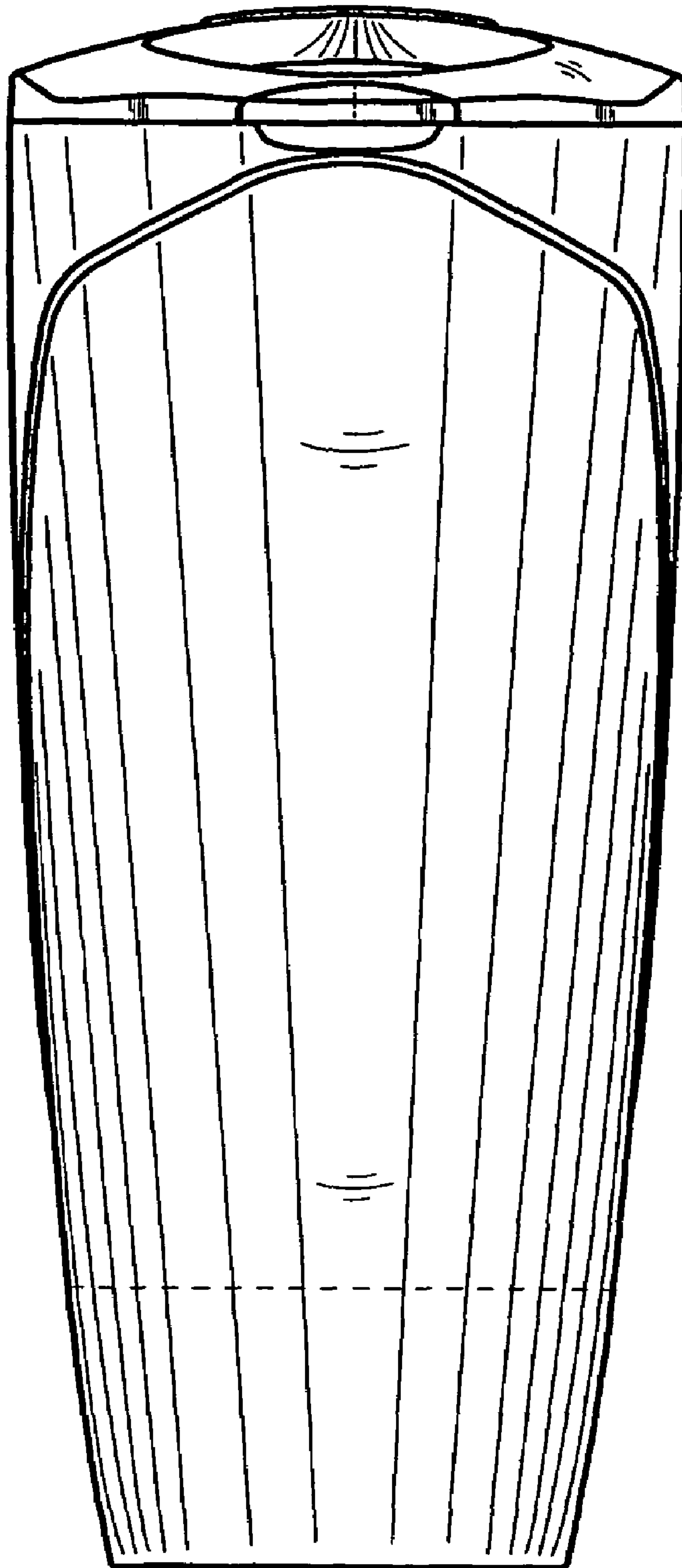


fig. 10