



US00D594689S

(12) **United States Design Patent**
Bodum

(10) **Patent No.:** **US D594,689 S**
(45) **Date of Patent:** **** Jun. 23, 2009**

(54) **JUG, INCLUDING ICE TEA JUG AND ICE COFFEE JUG, AND PART THEREFOR**

(75) Inventor: **Jorgen Bodum**, St. Niklausen (CH)

(73) Assignee: **Pi-Design, AG**, Triengen (CH)

(**) Term: **14 Years**

(21) Appl. No.: **29/327,393**

(22) Filed: **Nov. 5, 2008**

Related U.S. Application Data

(62) Division of application No. 29/275,893, filed on Jan. 9, 2007.

Foreign Application Priority Data

Jul. 11, 2006 (DK) DA 2006 00191

(51) **LOC (9) Cl.** **07-01**

(52) **U.S. Cl.** **D7/317; D7/318; D7/319**

(58) **Field of Classification Search** D7/300–322,
D7/516, 533, 536; D23/207, 209; 99/297,
99/319; 210/282, 635; 222/164, 165, 465.1,
222/466

See application file for complete search history.

(56) **References Cited**

U.S. PATENT DOCUMENTS

D418,714 S * 1/2000 Fox et al. D7/319
D419,027 S * 1/2000 Haslem et al. D7/319
D444,843 S * 7/2001 Hilgers et al. D7/319
D454,469 S * 3/2002 Jalet et al. D7/318

D520,597 S * 5/2006 Witte D7/319
D524,087 S * 7/2006 Ali D7/317
D542,077 S * 5/2007 Claypool et al. D7/318
D546,113 S * 7/2007 Ruoff D7/319
D573,845 S * 7/2008 Yang et al. D7/319
D574,924 S * 8/2008 Horiuchi et al. D7/319
D579,258 S * 10/2008 Kaposi D7/315

* cited by examiner

Primary Examiner—Antoine D Davis

(74) *Attorney, Agent, or Firm*—Cowan, Liebowitz & Latman, PC

(57) **CLAIM**

The ornamental design for a jug, including ice tea jug and ice coffee jug, and part therefor, as shown and described.

DESCRIPTION

FIG. 1 is a perspective view of the jug, including ice tea jug and ice coffee jug, and part therefor showing my design thereof;

FIG. 2 is a front view thereof;

FIG. 3 is a back view thereof;

FIG. 4 is a right side view thereof;

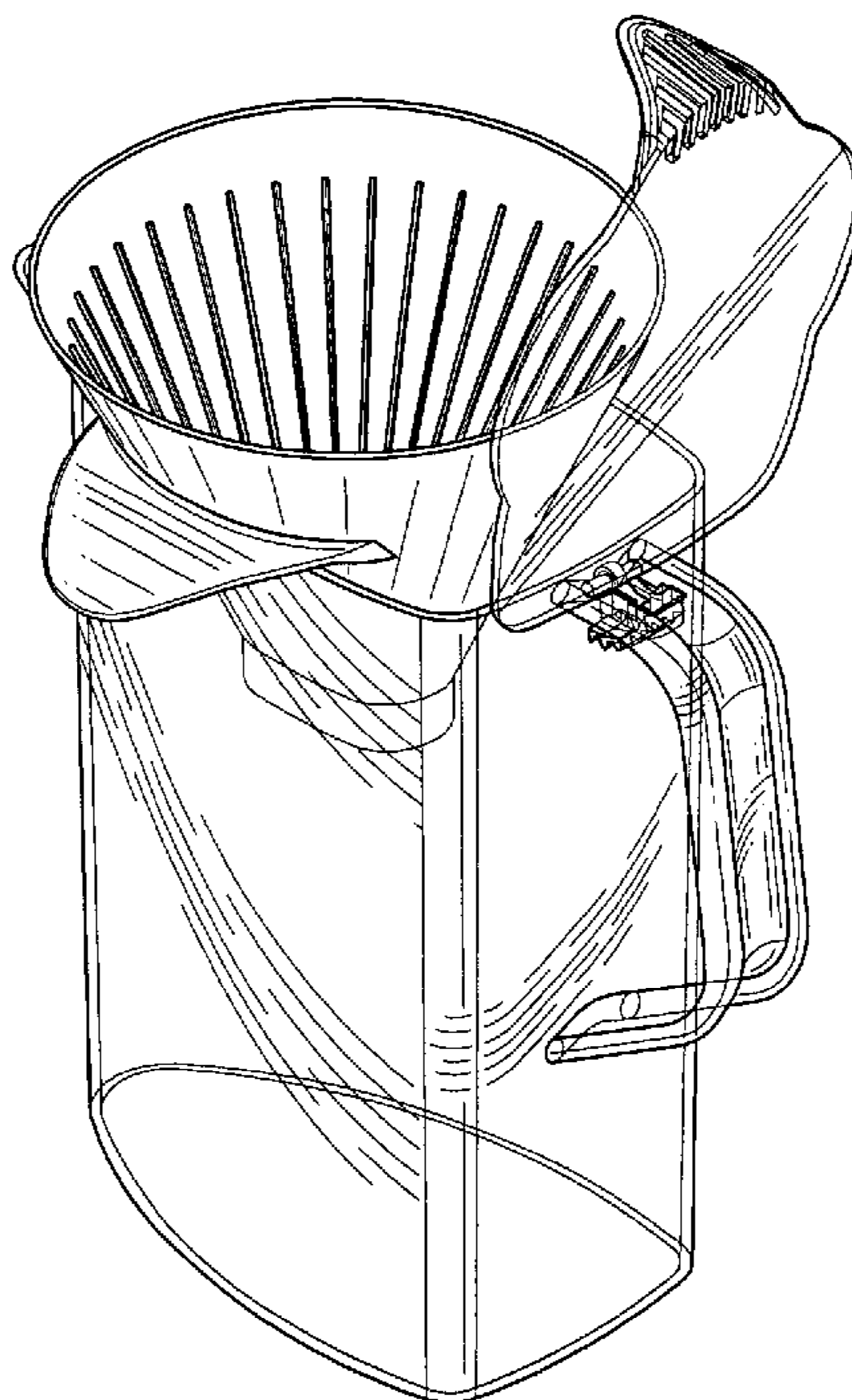
FIG. 5 is a left side view thereof;

FIG. 6 is a top view thereof;

FIG. 7 is a bottom view thereof; and,

FIG. 8 is a cross-sectional view thereof taken along line 8—8 of FIG. 6.

1 Claim, 8 Drawing Sheets



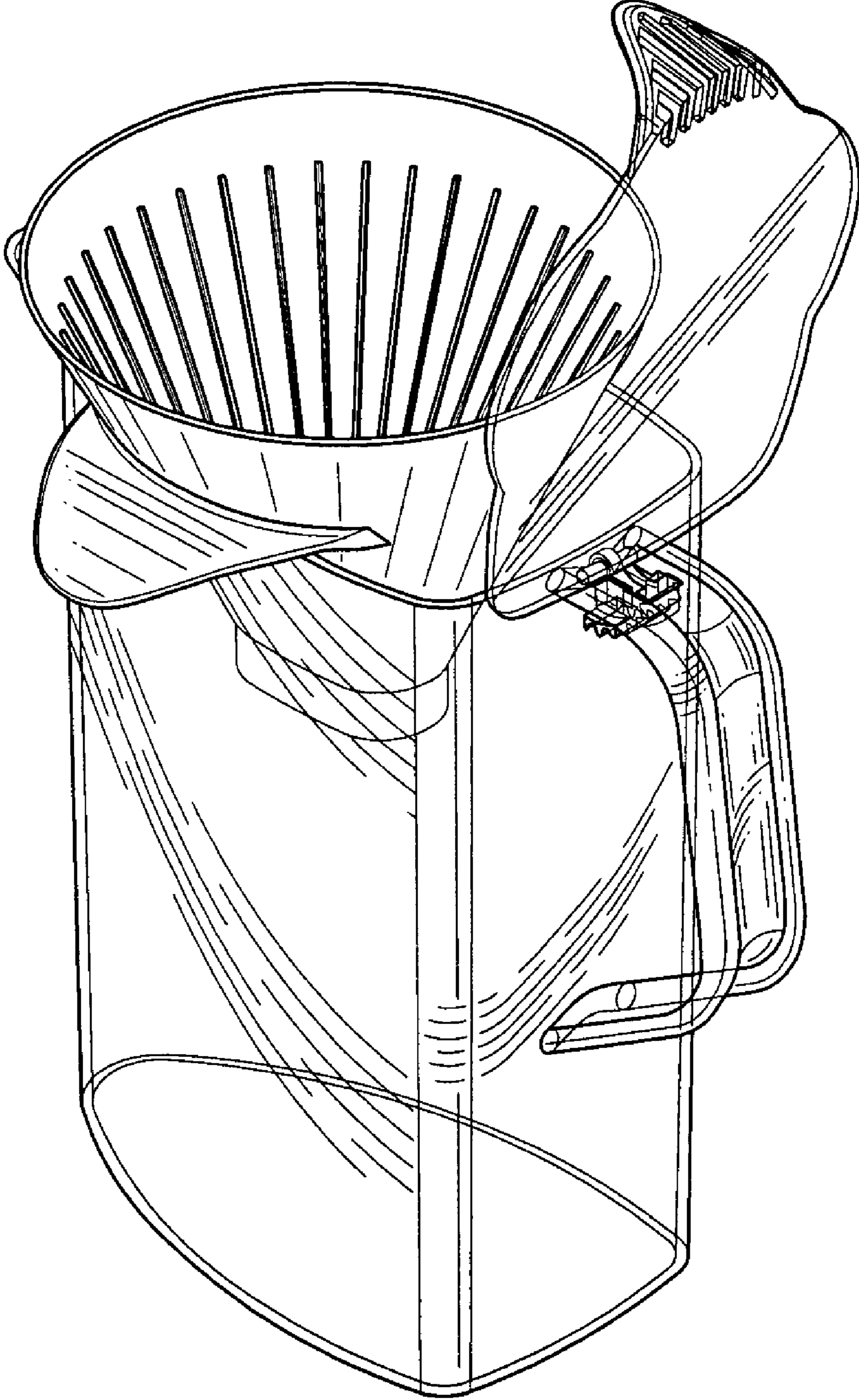


FIG. 1

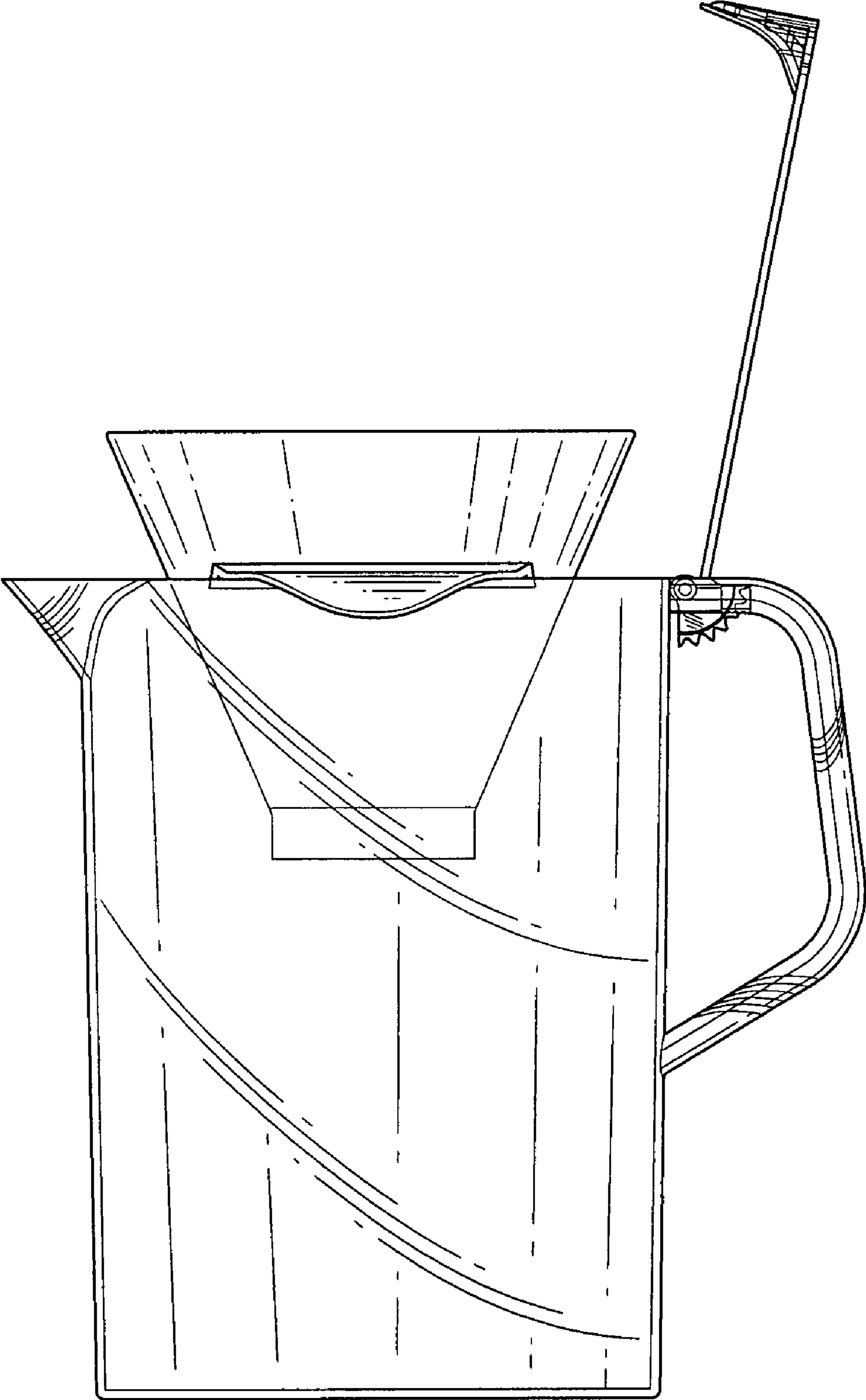


FIG. 2

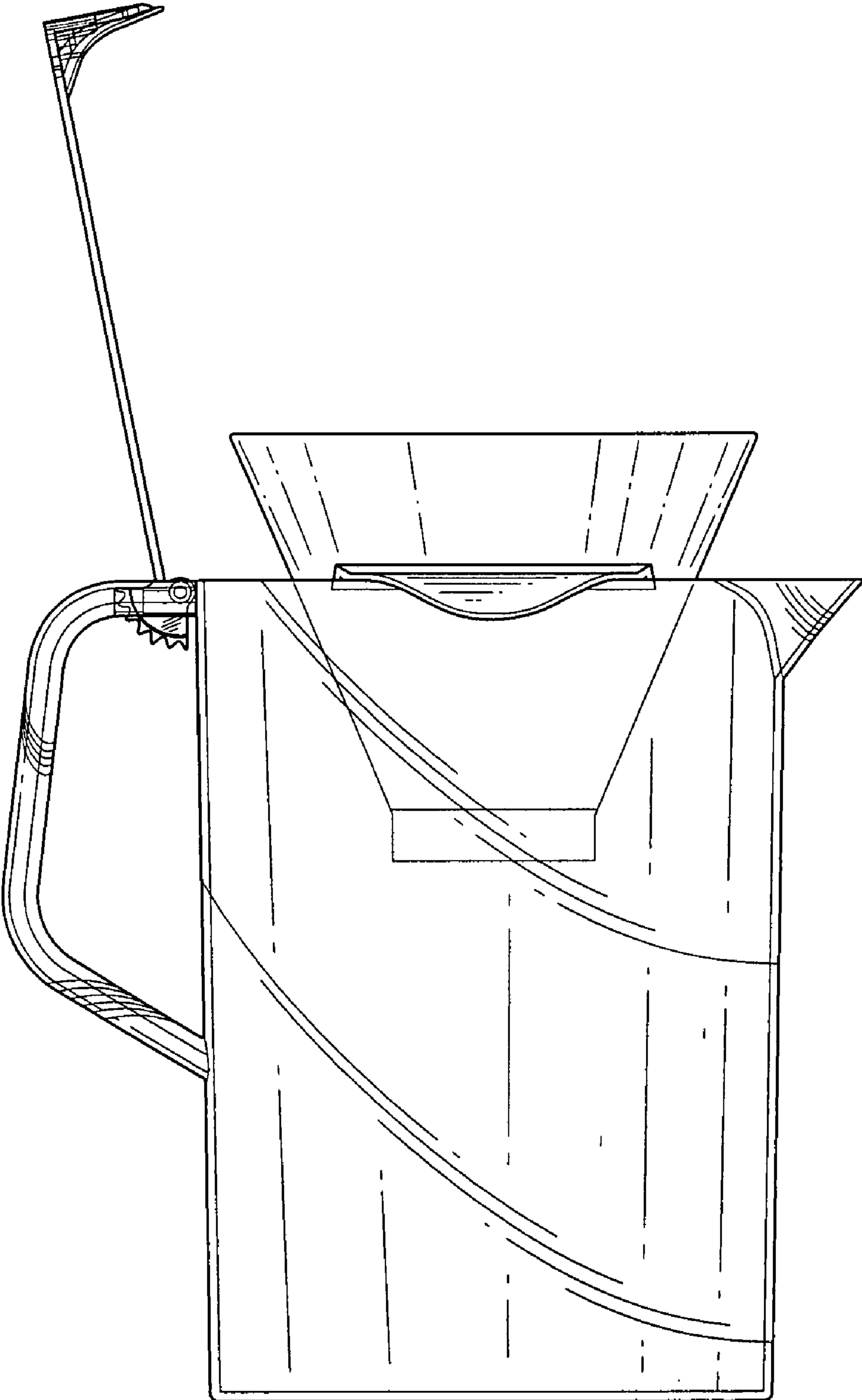


FIG. 3

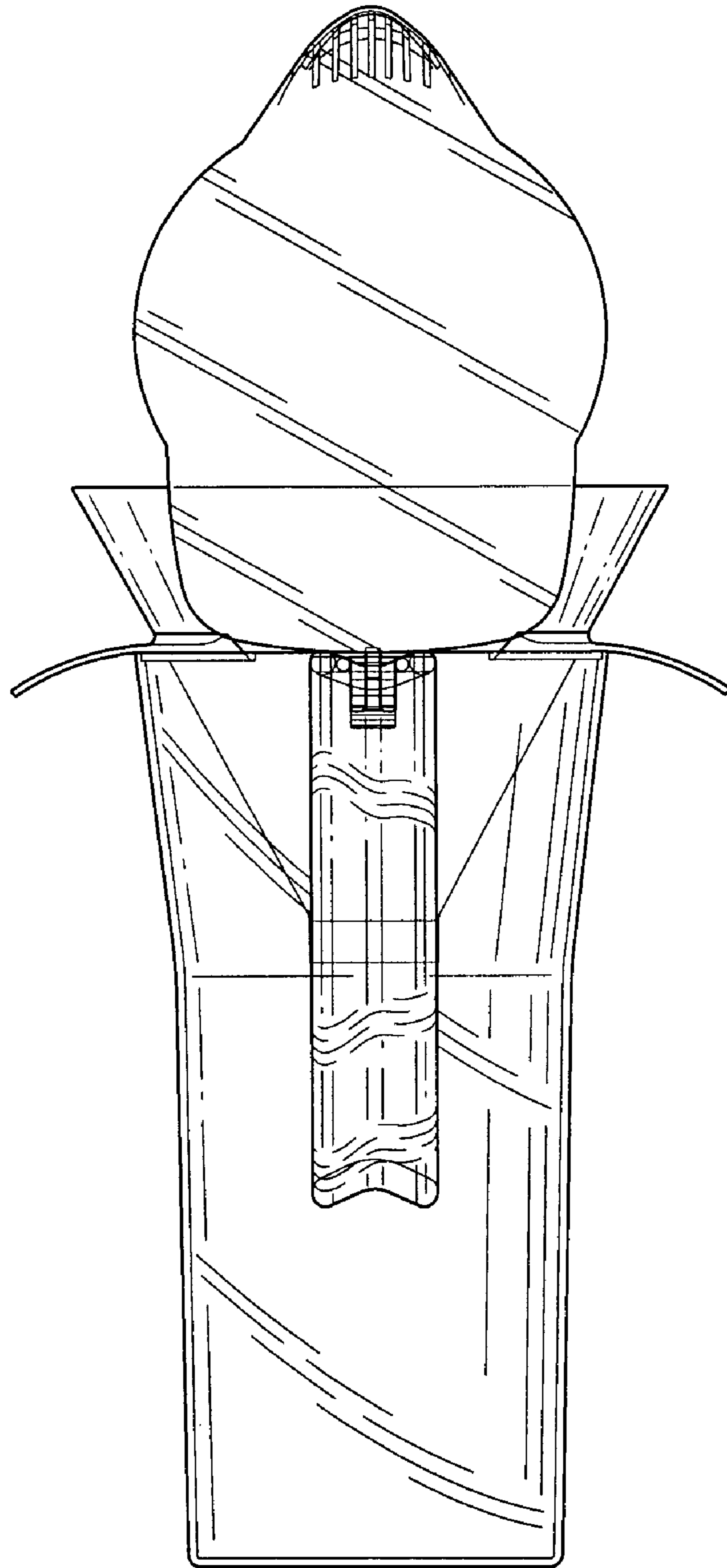


FIG. 4

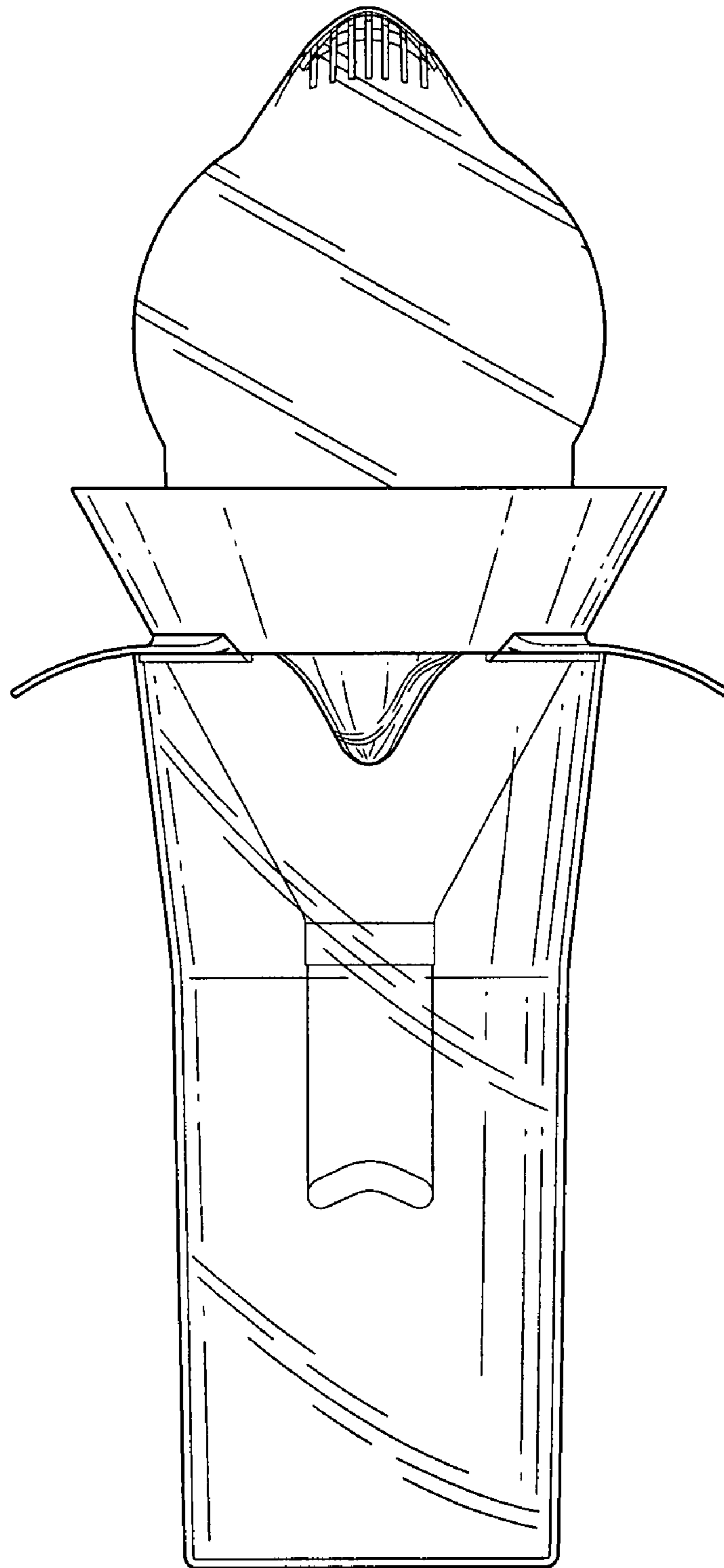


FIG. 5

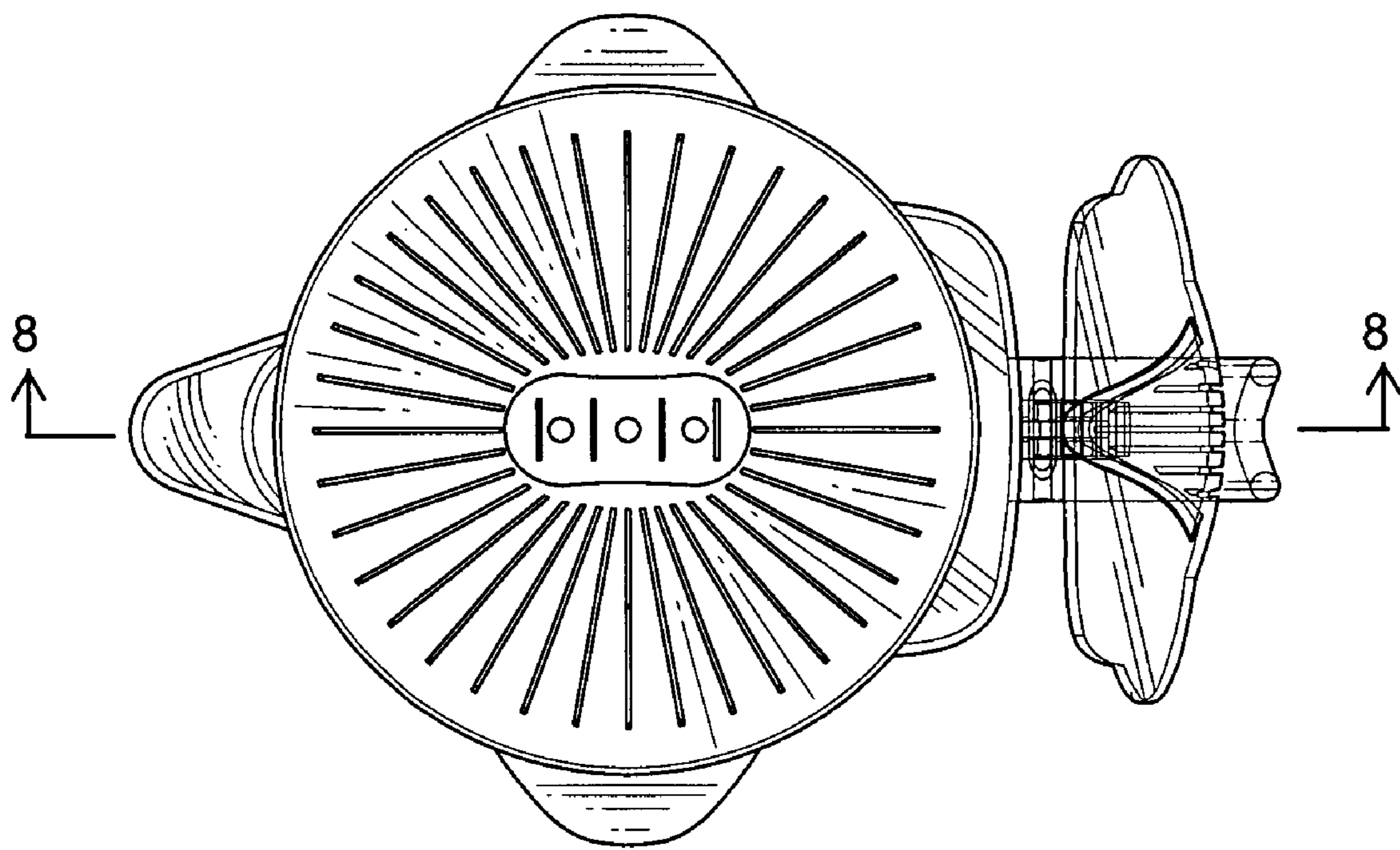


FIG. 6

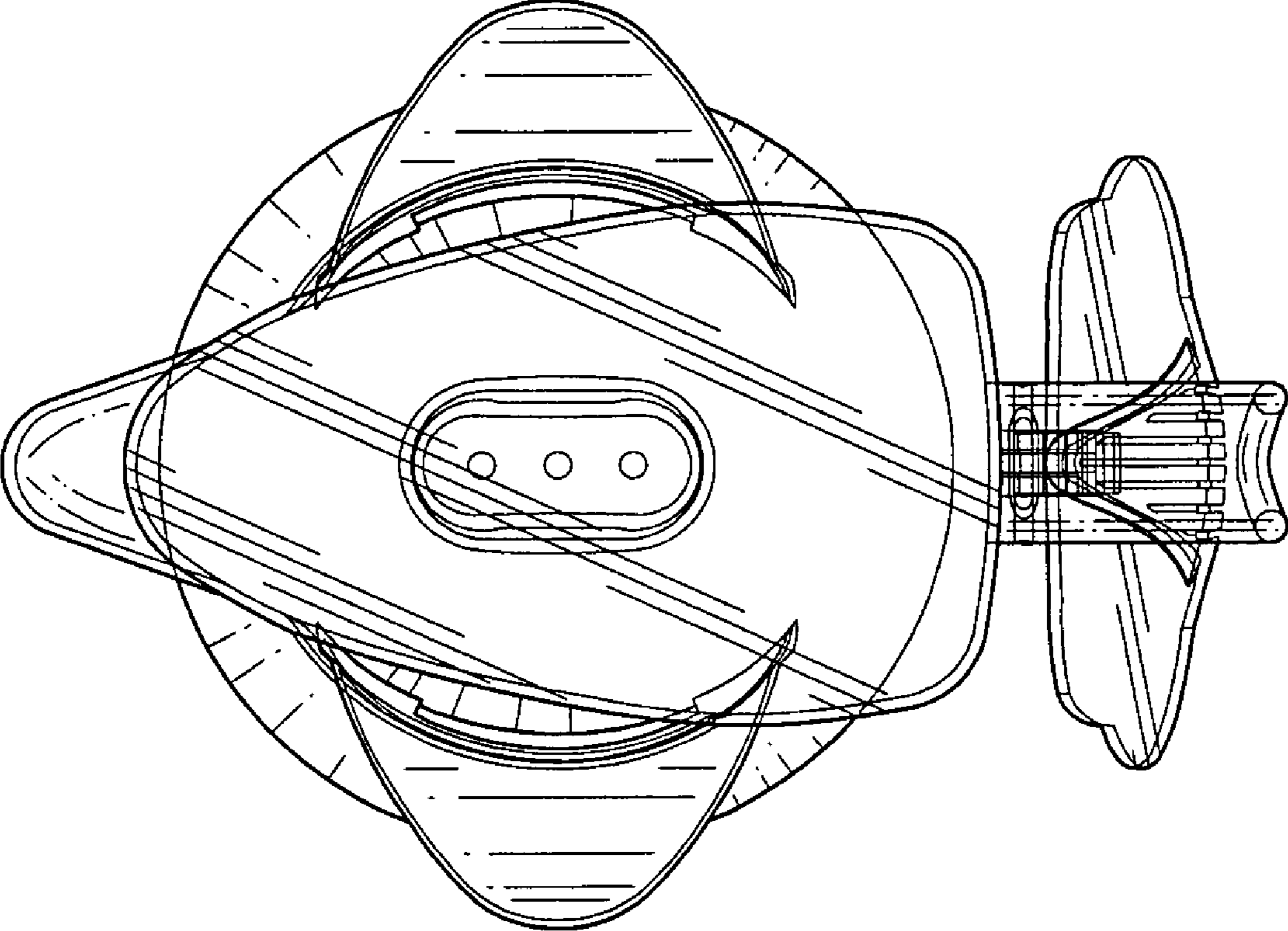


FIG. 7

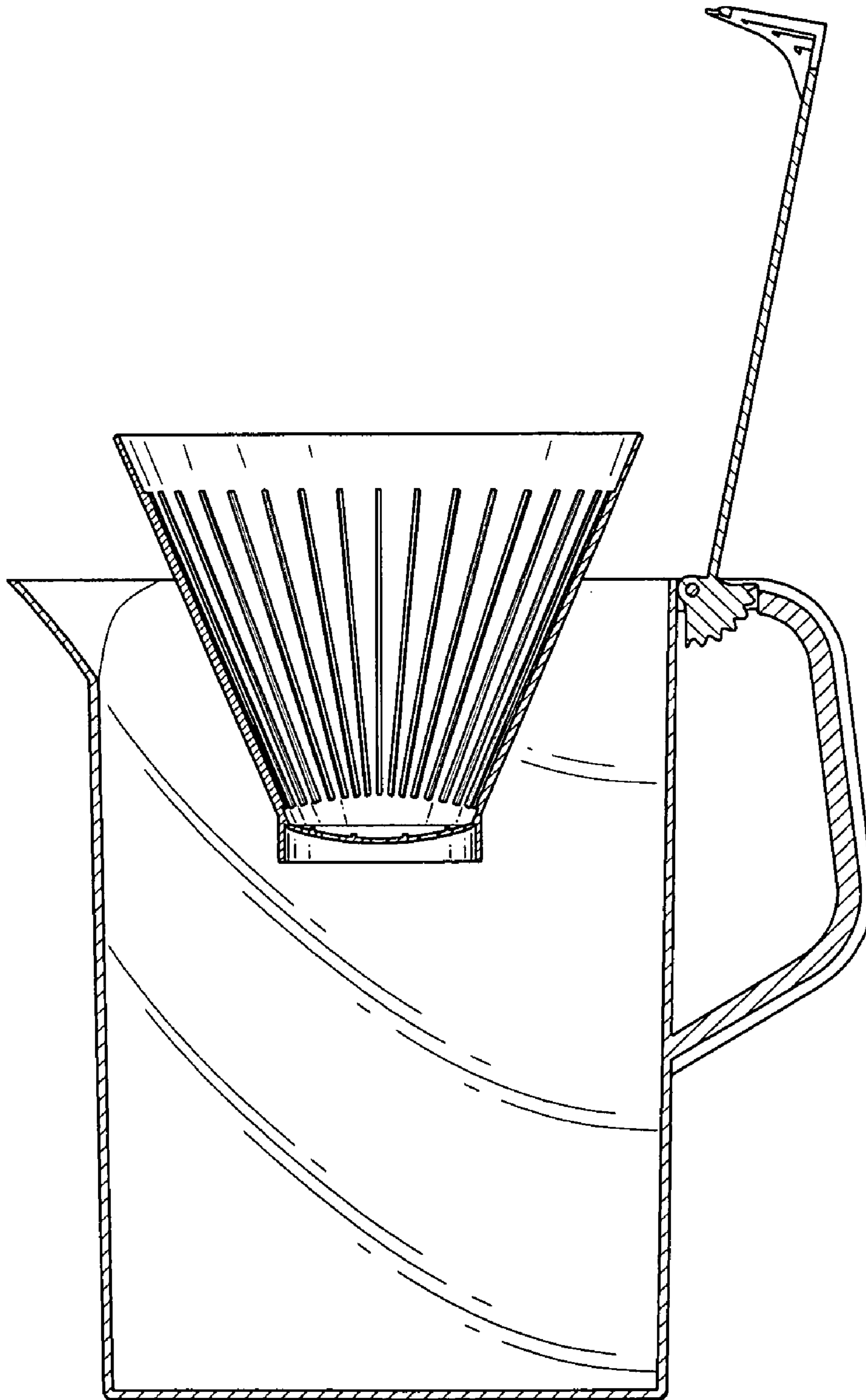


FIG. 8