



US00D594687S

(12) **United States Design Patent**  
**Bodum**

(10) **Patent No.:** **US D594,687 S**  
(45) **Date of Patent:** **\*\* Jun. 23, 2009**

(54) **COFFEE JUG**

(75) Inventor: **Jørgen Bodum**, Meggen (CH)

(73) Assignee: **Pi-Design, AG**, Triengen (CH)

(\*\*) Term: **14 Years**

(21) Appl. No.: **29/323,334**

(22) Filed: **Aug. 22, 2008**

(30) **Foreign Application Priority Data**

Mar. 6, 2008 (DK) ..... DA 2008 00065

(51) **LOC (9) Cl.** ..... **07-01**

(52) **U.S. Cl.** ..... **D7/300; D7/319; D7/536**

(58) **Field of Classification Search** ..... D7/300,  
D7/316–319, 312, 510, 533, 536; 220/713,  
220/703; 99/288, 279

See application file for complete search history.

(56) **References Cited**

**U.S. PATENT DOCUMENTS**

D269,147 S *	5/1983	Trombly	.....	D7/536
D346,525 S *	5/1994	Littmann	.....	D7/317
D368,826 S *	4/1996	Storsberg	.....	D7/309
D371,270 S *	7/1996	Bell et al.	.....	D7/309
D465,132 S *	11/2002	Janky et al.	.....	D7/510
D480,593 S *	10/2003	Nybakke	.....	D7/319
D480,919 S *	10/2003	Bin	.....	D7/533
D482,239 S *	11/2003	Bodum	.....	D7/536
D493,332 S *	7/2004	Bin	.....	D7/510

D521,803 S *	5/2006	Bieger	.....	D7/396.4
D530,852 S *	10/2006	Zheng	.....	D27/148
D533,437 S *	12/2006	Ruan	.....	D8/343
D557,564 S *	12/2007	Bodum	.....	D7/536
D562,072 S *	2/2008	Wahl	.....	D7/510
D587,528 S *	3/2009	Trombly	.....	D7/536
D587,967 S *	3/2009	Wahl	.....	D7/510

\* cited by examiner

*Primary Examiner*—Marianne Pandozzi

(74) *Attorney, Agent, or Firm*—Cowan, Liebowitz & Latman, PC

(57) **CLAIM**

The ornamental design for a coffee jug, as shown and described.

**DESCRIPTION**

FIG. 1 is a perspective view of the coffee jug showing my design thereof;

FIG. 2 is a front view thereof;

FIG. 3 is a back view thereof;

FIG. 4 is a right side view thereof;

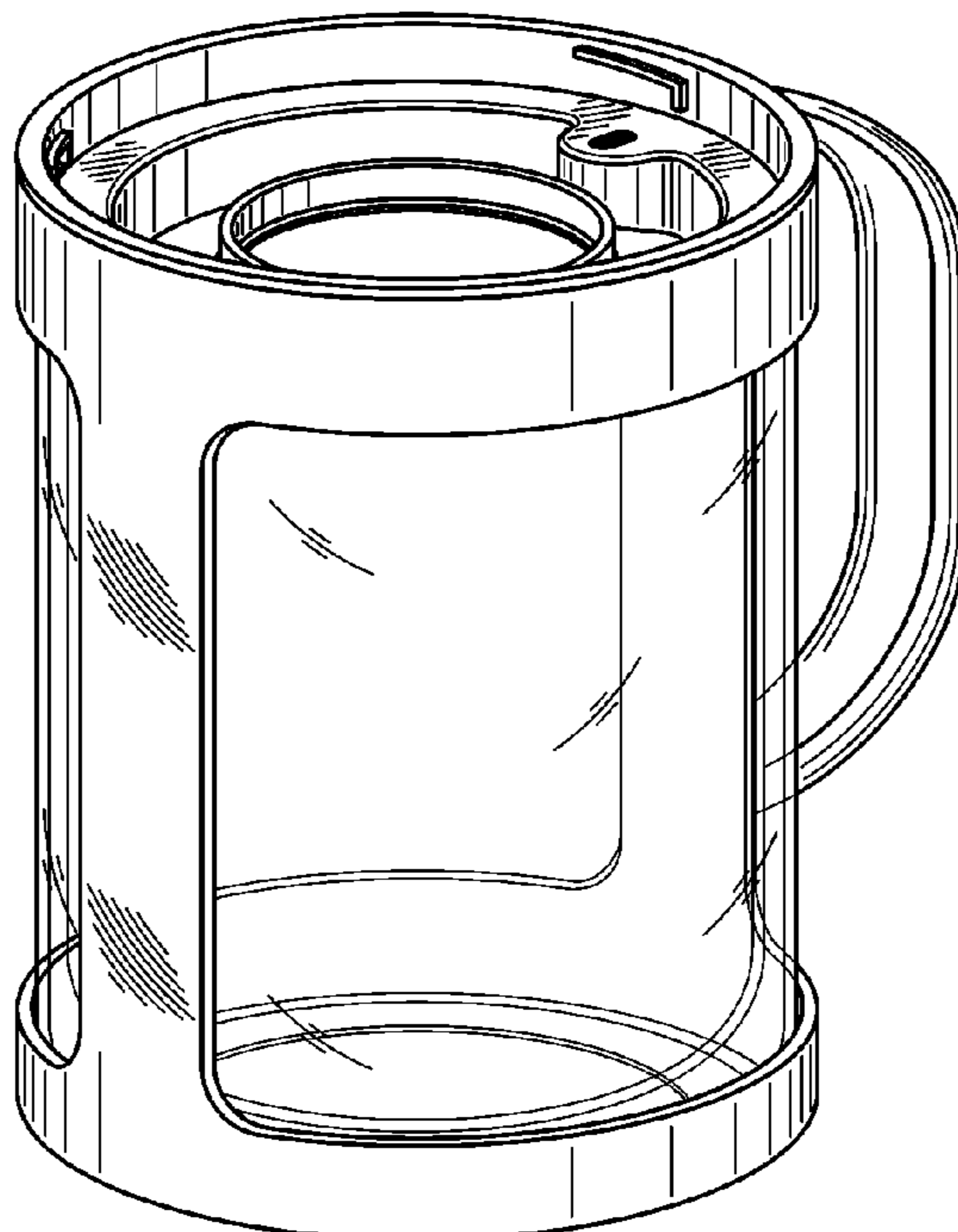
FIG. 5 is a left side view thereof;

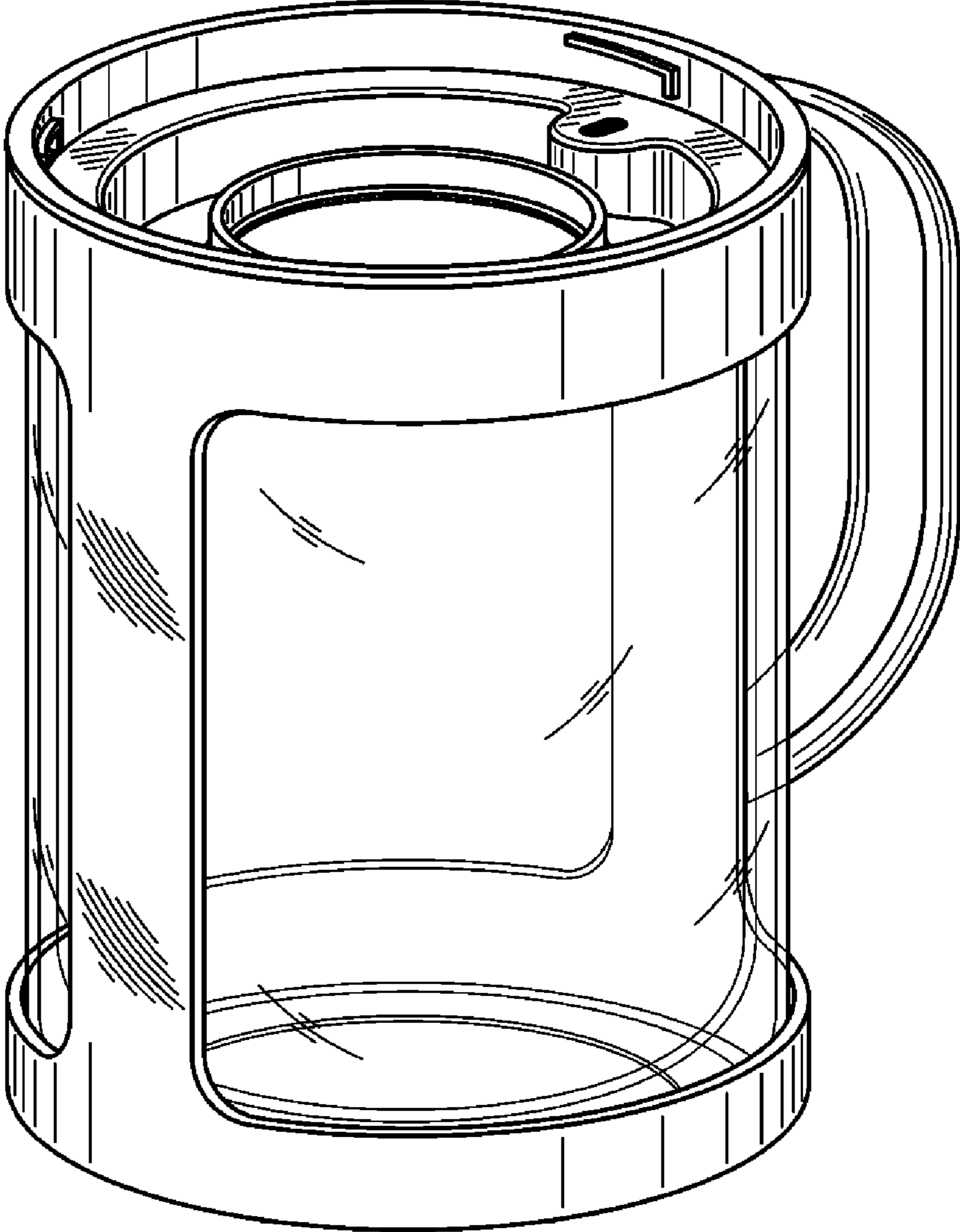
FIG. 6 is a top view thereof;

FIG. 7 is a bottom view thereof; and,

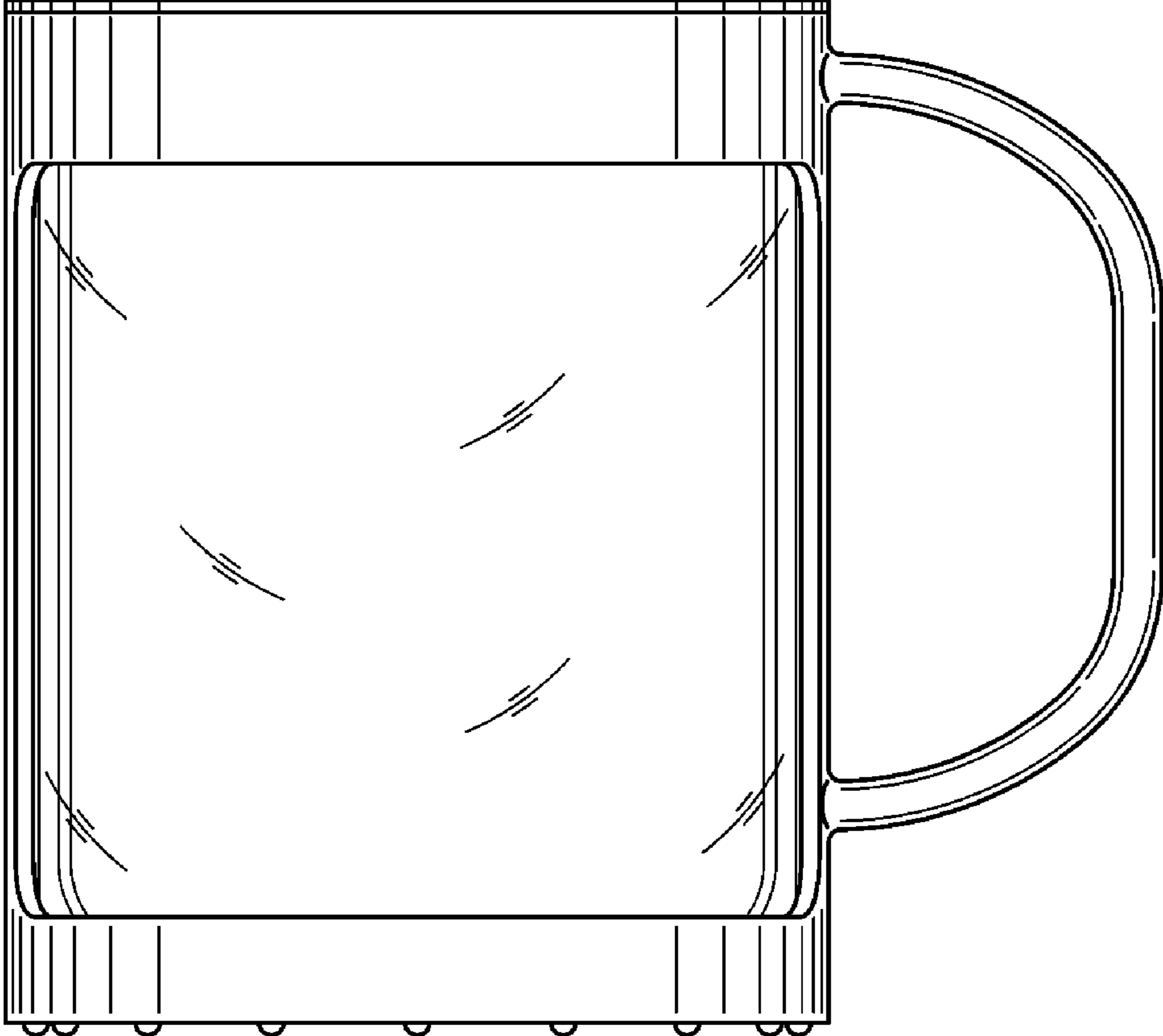
FIG. 8 is a sectional view thereof taken along line 8—8 of FIG. 6.

**1 Claim, 8 Drawing Sheets**

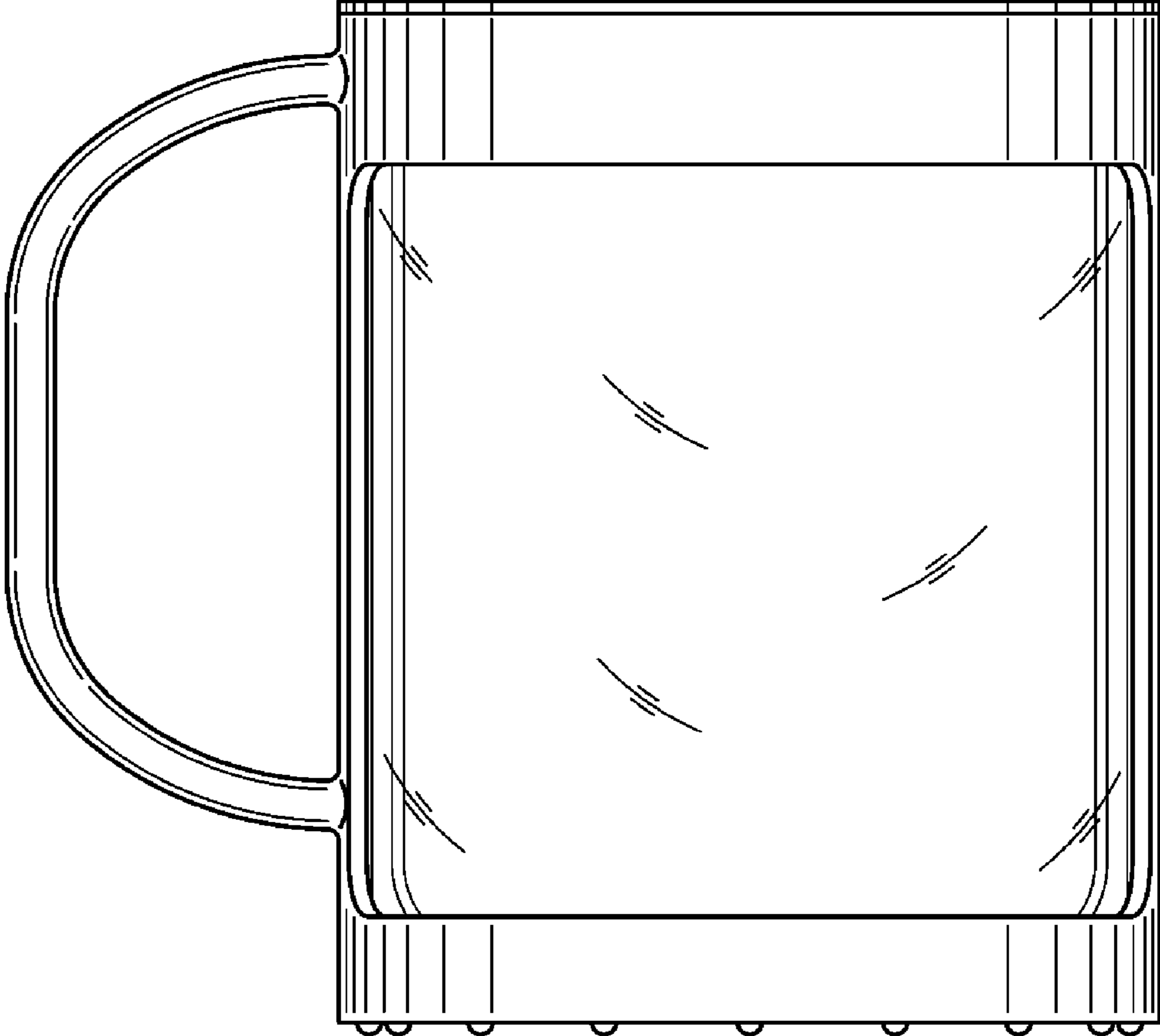




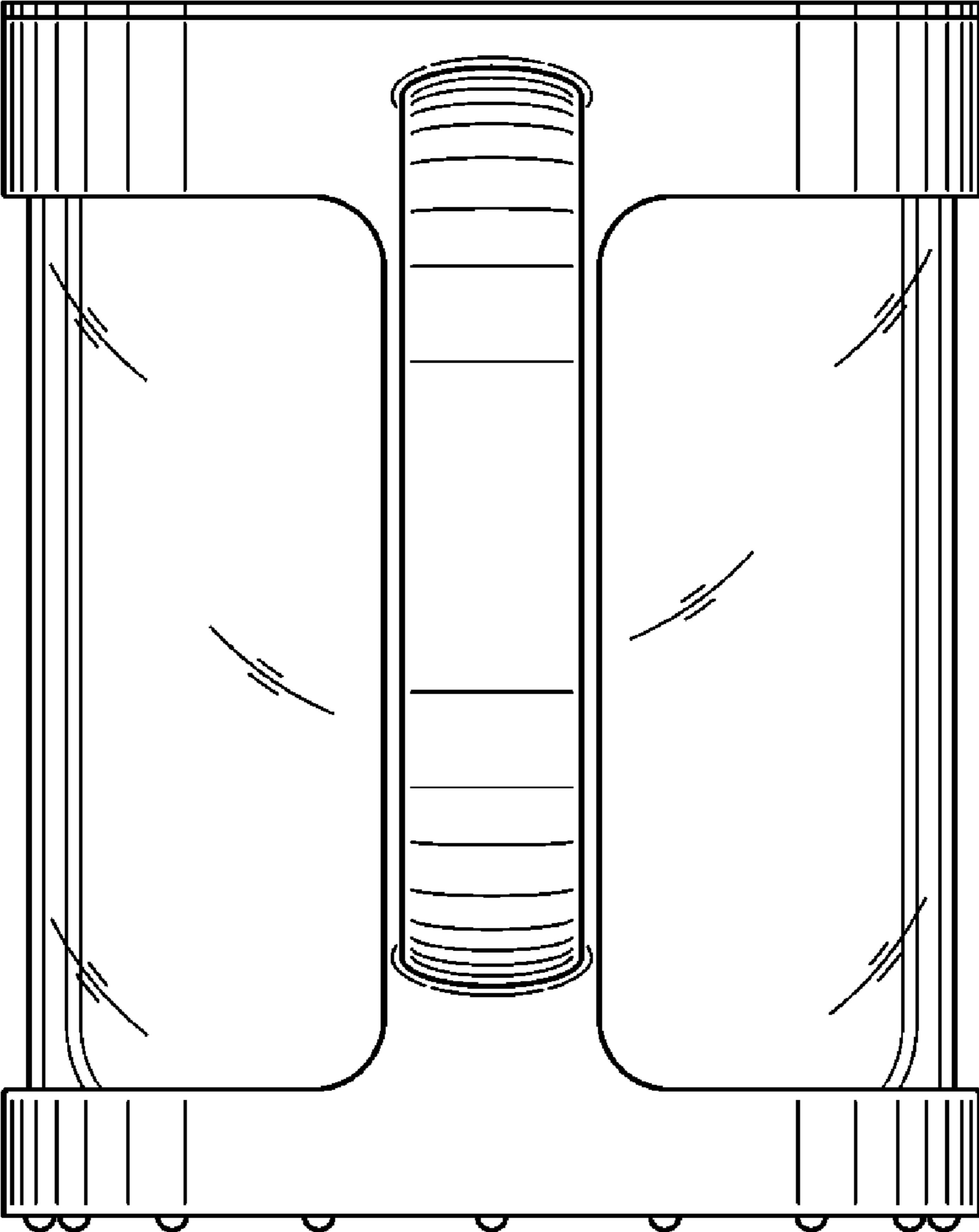
**FIG. 1**



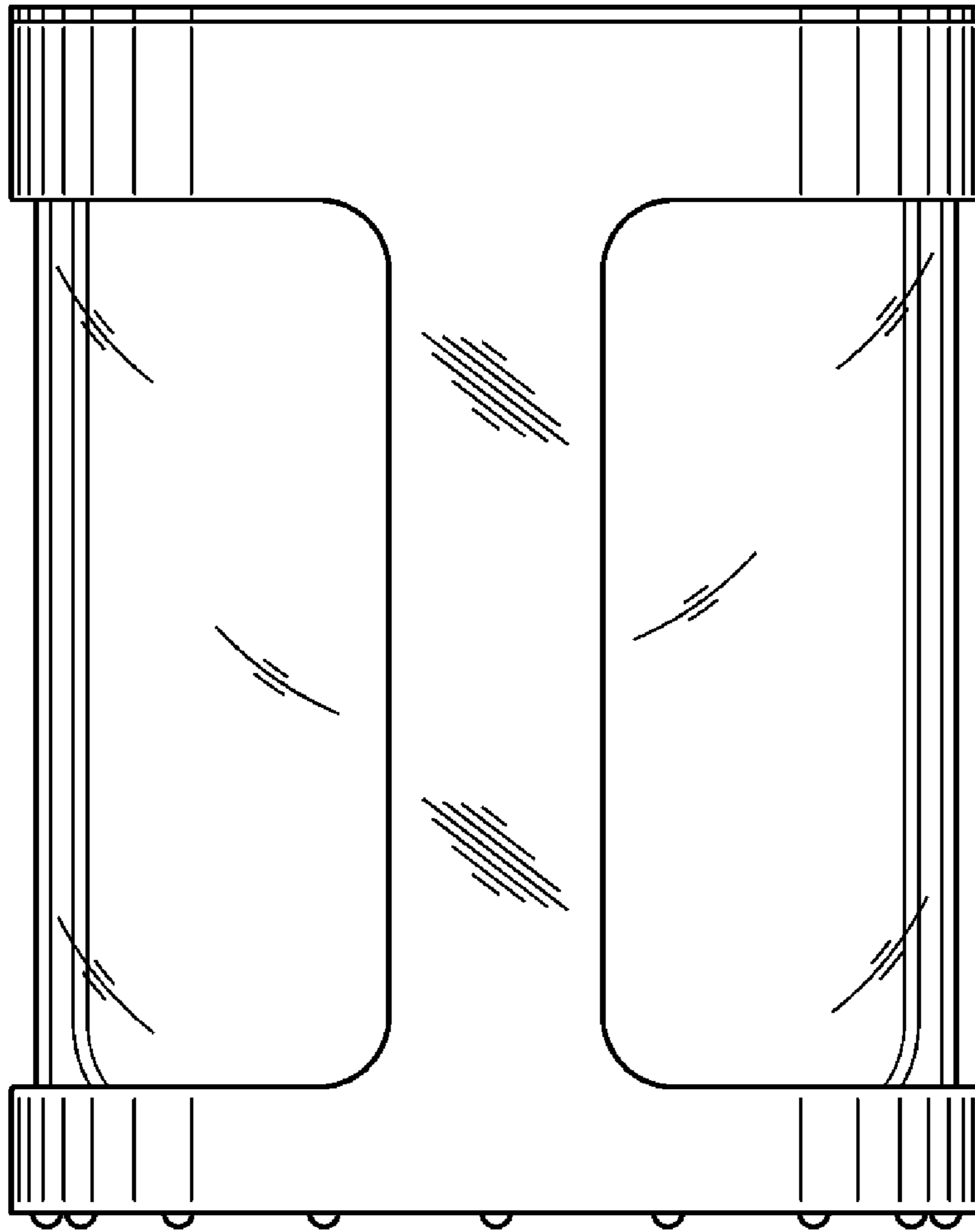
**FIG. 2**



**FIG. 3**



**FIG. 4**



**FIG. 5**

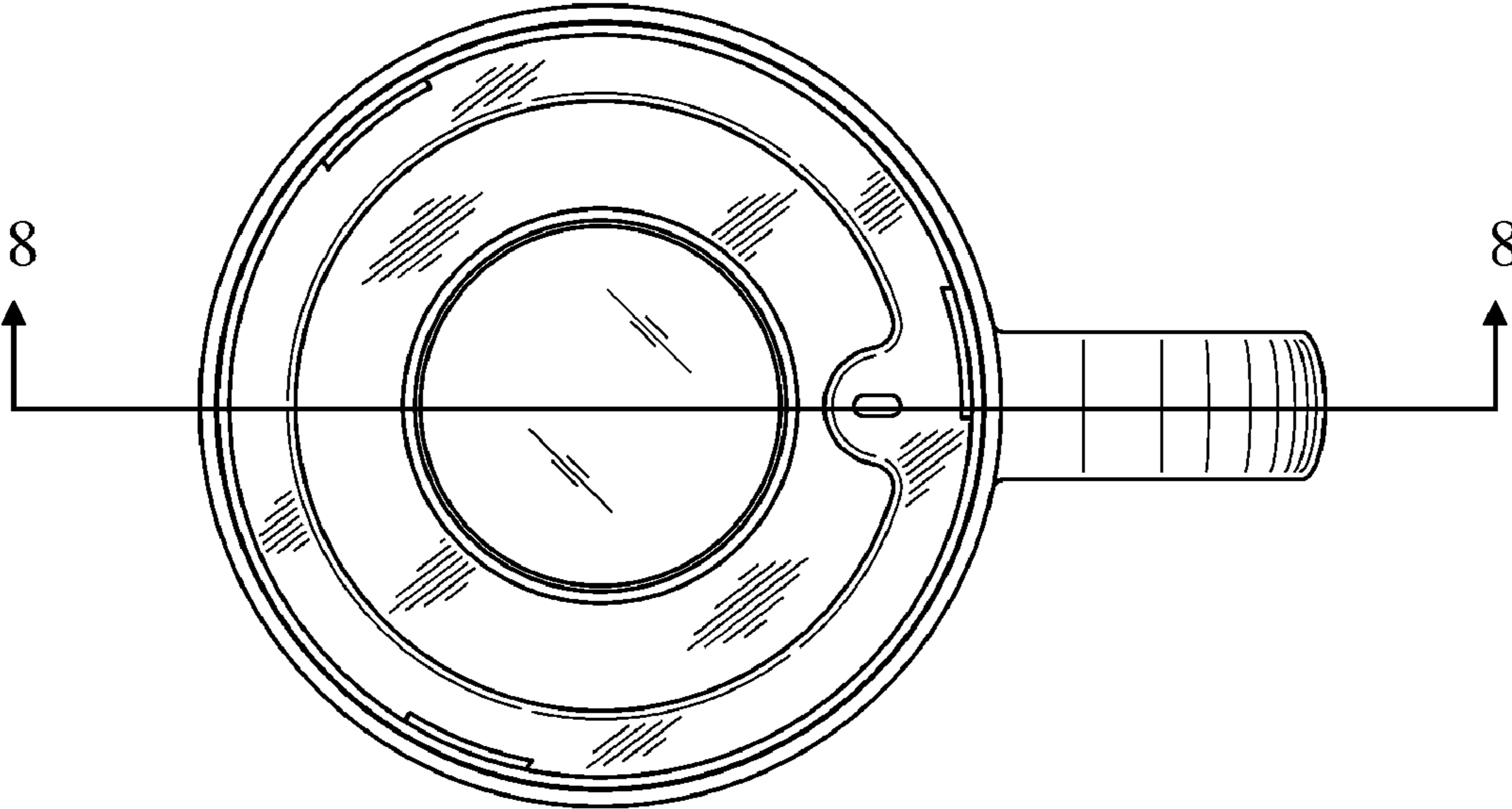
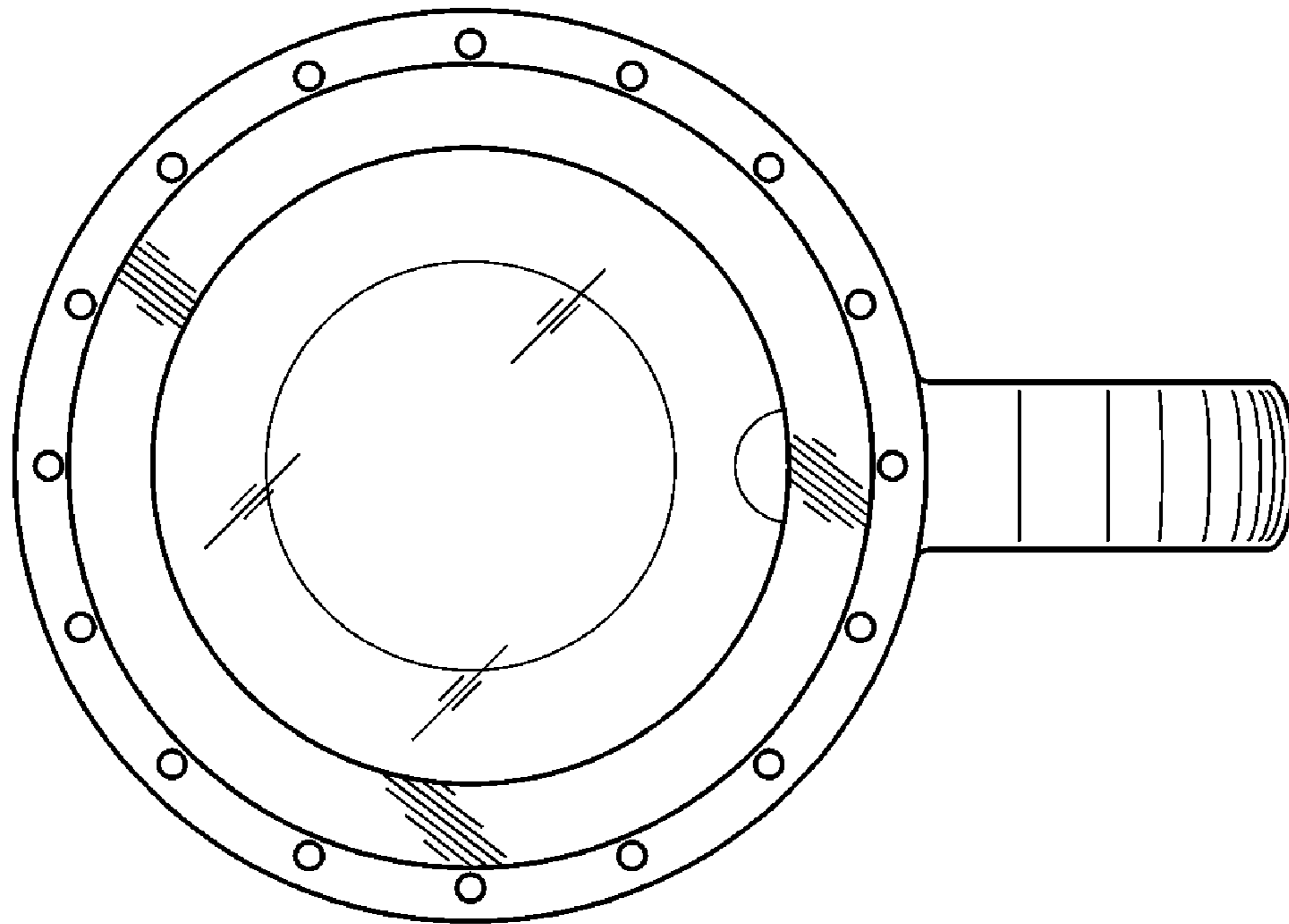
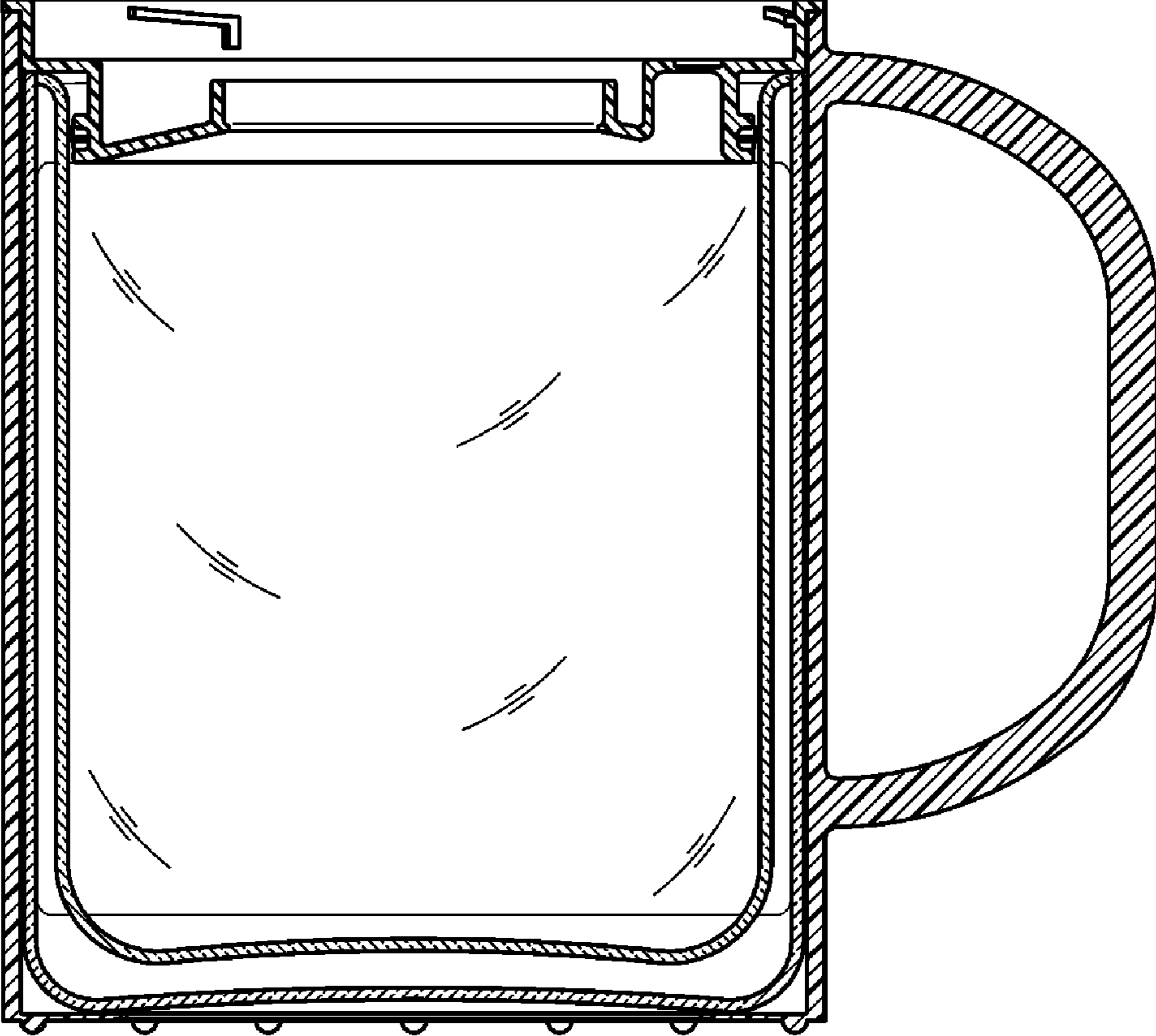


FIG. 6



**FIG. 7**





**FIG. 8**