



US00D594681S

(12) **United States Design Patent**  
**Dauphin**

(10) **Patent No.:** **US D594,681 S**  
(45) **Date of Patent:** **\*\* Jun. 23, 2009**

(54) **CHAIR BACK**

(75) Inventor: **Elke Dauphin**, Hersbruck (DE)

(73) Assignee: **Dauphin Entwicklungs und Beteiligungs BmgH**, Hersbruck (DE)

(\*\*) Term: **14 Years**

(21) Appl. No.: **29/302,949**

(22) Filed: **Jan. 29, 2008**

**Related U.S. Application Data**

(62) Division of application No. 29/227,895, filed on Apr. 18, 2005, now Pat. No. Des. 560,381.

(30) **Foreign Application Priority Data**

Oct. 18, 2004 (DE) ..... 404 05 986

(51) **LOC (9) Cl.** ..... **06-01**

(52) **U.S. Cl.** ..... **D6/502**

(58) **Field of Classification Search** ..... D6/502  
See application file for complete search history.

(56) **References Cited**

**U.S. PATENT DOCUMENTS**

D483,583 S *	12/2003	Raftery	.....	D6/502
D485,097 S *	1/2004	Raftery	.....	D6/502
D534,384 S *	1/2007	Su	.....	D6/502
D539,578 S *	4/2007	Chen	.....	D6/502
D540,578 S *	4/2007	Chen	.....	D6/502
D540,580 S *	4/2007	Su	.....	D6/502
D543,398 S *	5/2007	Su	.....	D6/502
D556,481 S *	12/2007	Harley	.....	D6/502

\* cited by examiner

*Primary Examiner*—Caron Veynar  
*Assistant Examiner*—Katrina A Kile

(74) *Attorney, Agent, or Firm*—Browdy and Neimark, P.L.L.C.

(57) **CLAIM**

The ornamental design for a chair back, as shown and described.

**DESCRIPTION**

FIG. 1 is a perspective view, from the rear and the left, of a chair back showing a first embodiment of my design.

FIG. 2 is a right side elevational view thereof.

FIG. 3 is a left side elevational view thereof.

FIG. 4 is a rear elevational view thereof.

FIG. 5 is a front elevational view thereof.

FIG. 6 is a top plan view thereof.

FIG. 7 is a perspective view, from the rear and the left, of a chair back showing a second embodiment of my design.

FIG. 8 is a left side elevational view thereof.

FIG. 9 is a right side elevational view thereof.

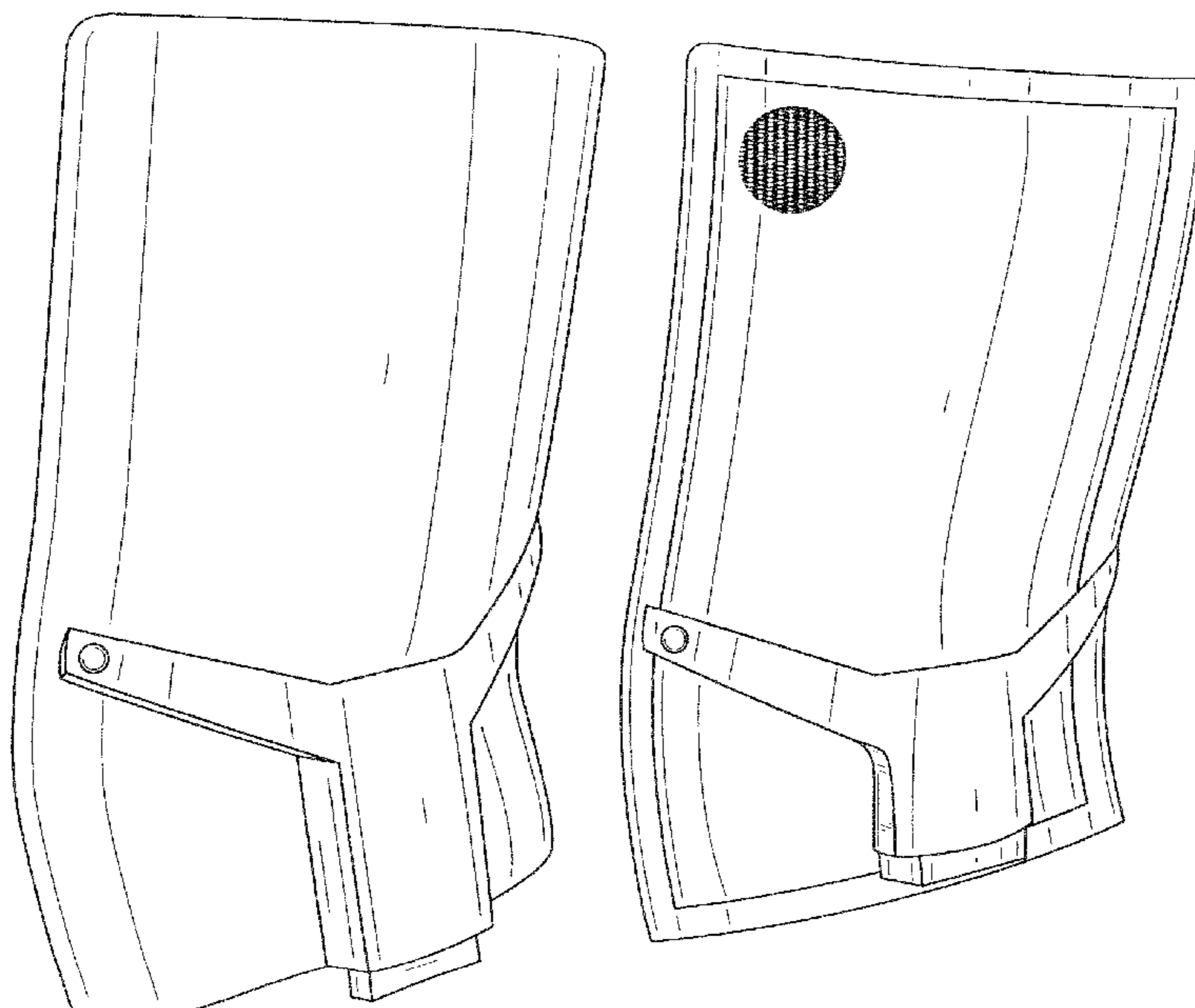
FIG. 10 is a rear elevational view thereof.

FIG. 11 is a front elevational view thereof; and,

FIG. 12 is a top plan view thereof.

In the embodiment of FIGS. 7–12, the chair back is covered with a mesh fabric that extends continuously over all surfaces of the chair back. The mesh fabric has the appearance shown by the exemplary circular areas in FIGS. 7, 10 and 11, which will be visible on the front and back of the chair back, but the mesh pattern will not be visible at the top, bottom and sides of the chair back.

**1 Claim, 6 Drawing Sheets**



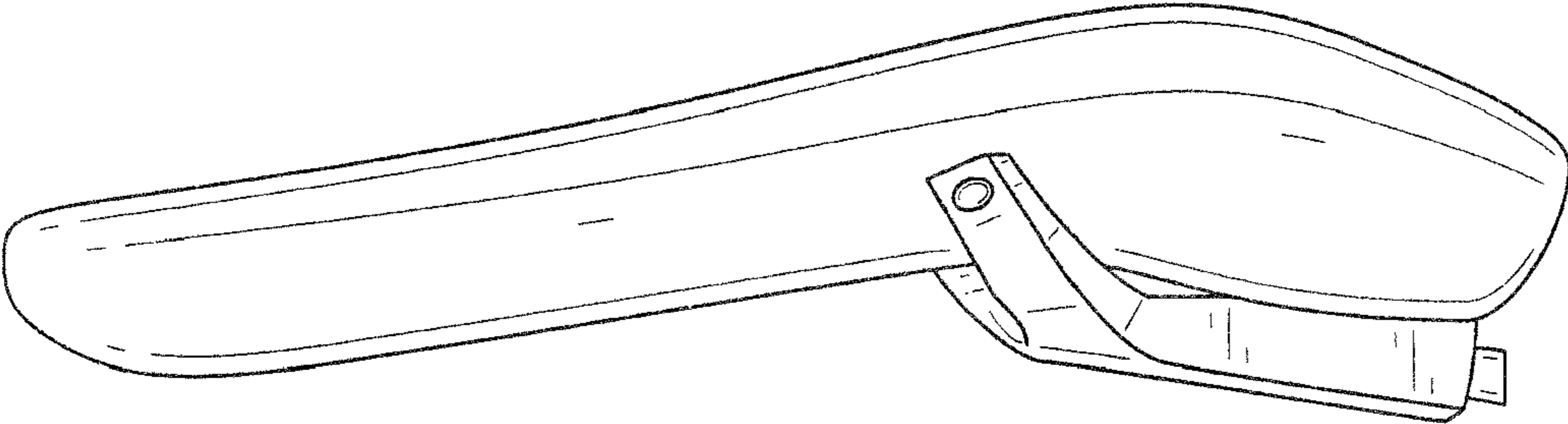


FIG. 2

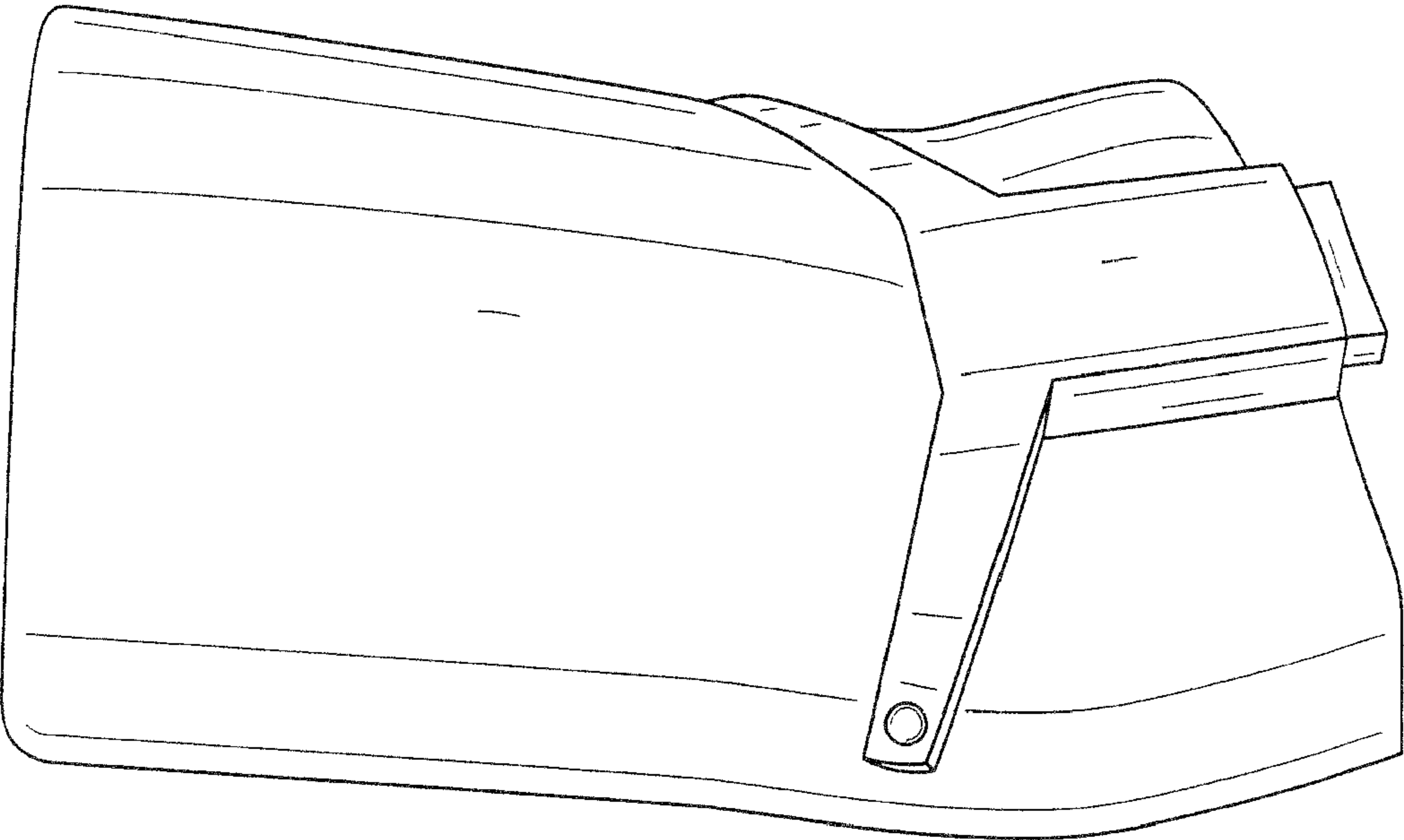


FIG. 1

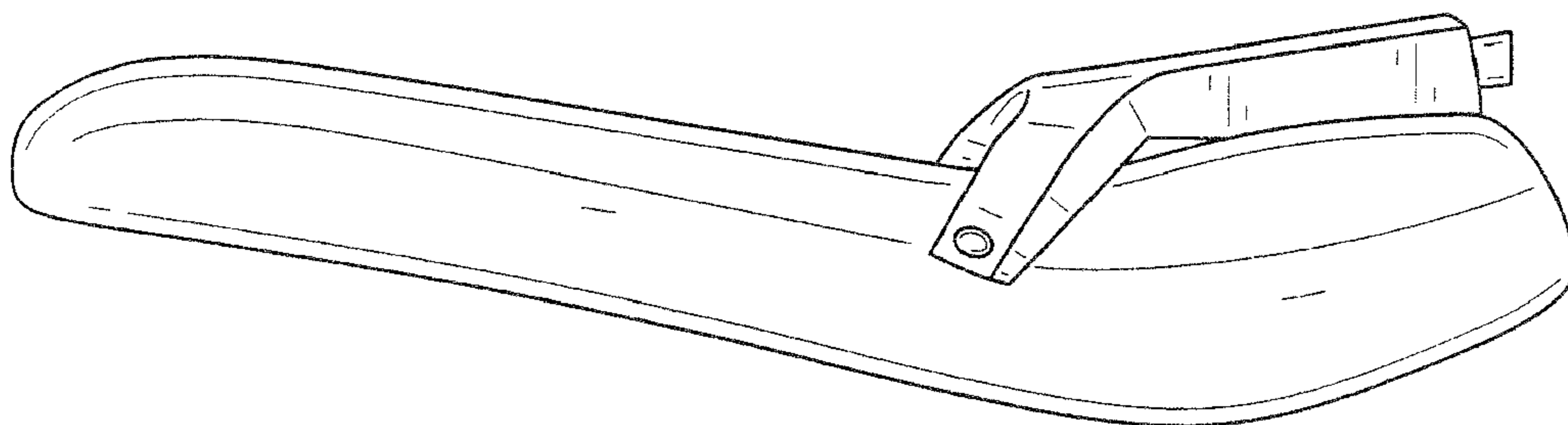


FIG. 3

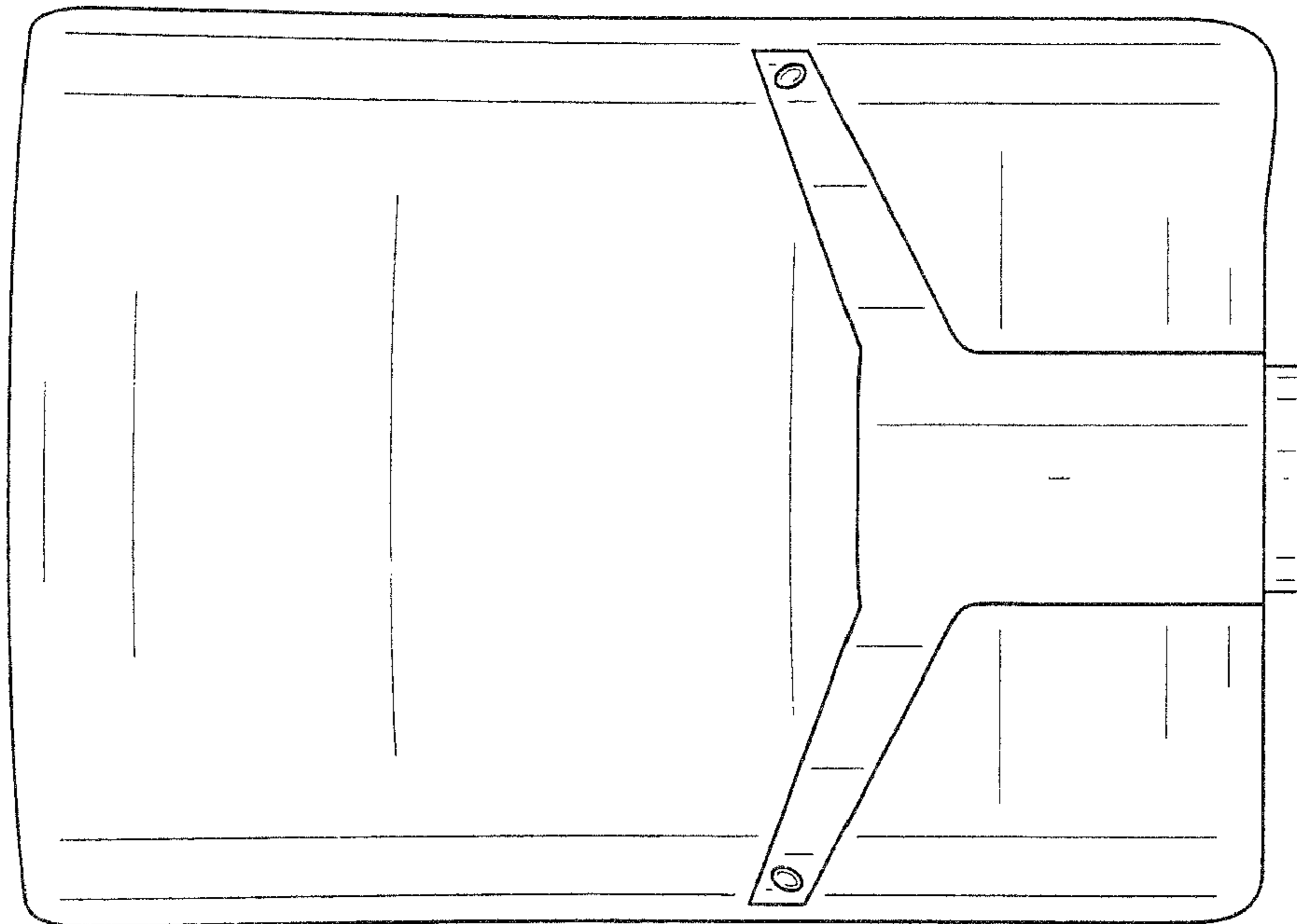


FIG. 4

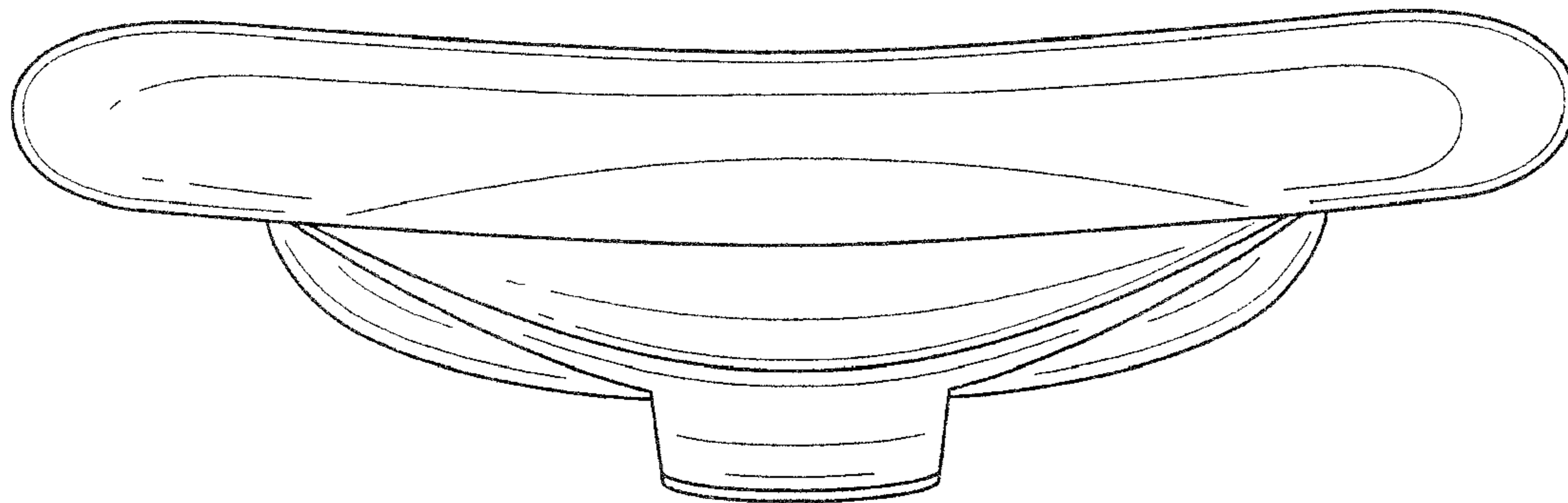


FIG. 6

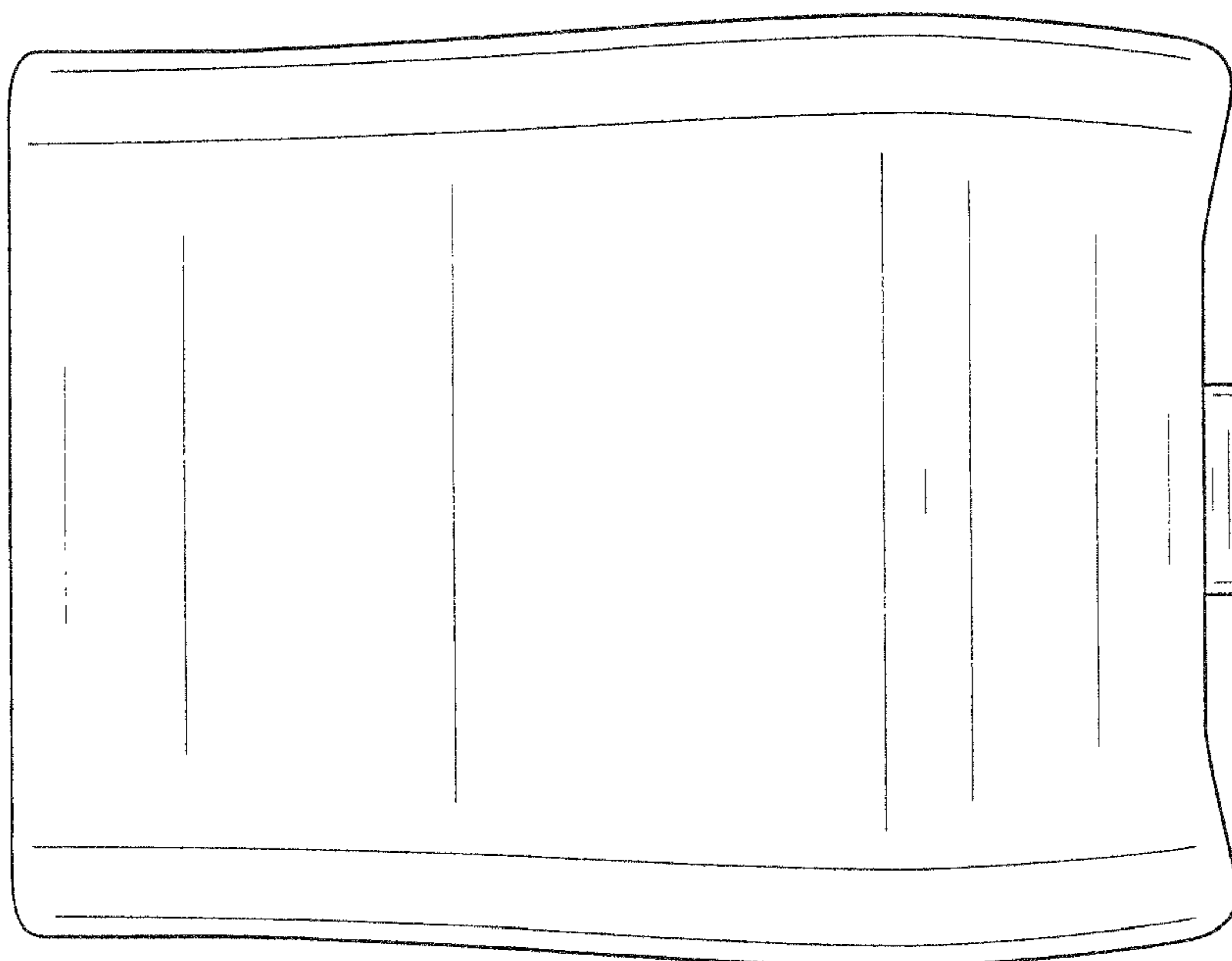


FIG. 5

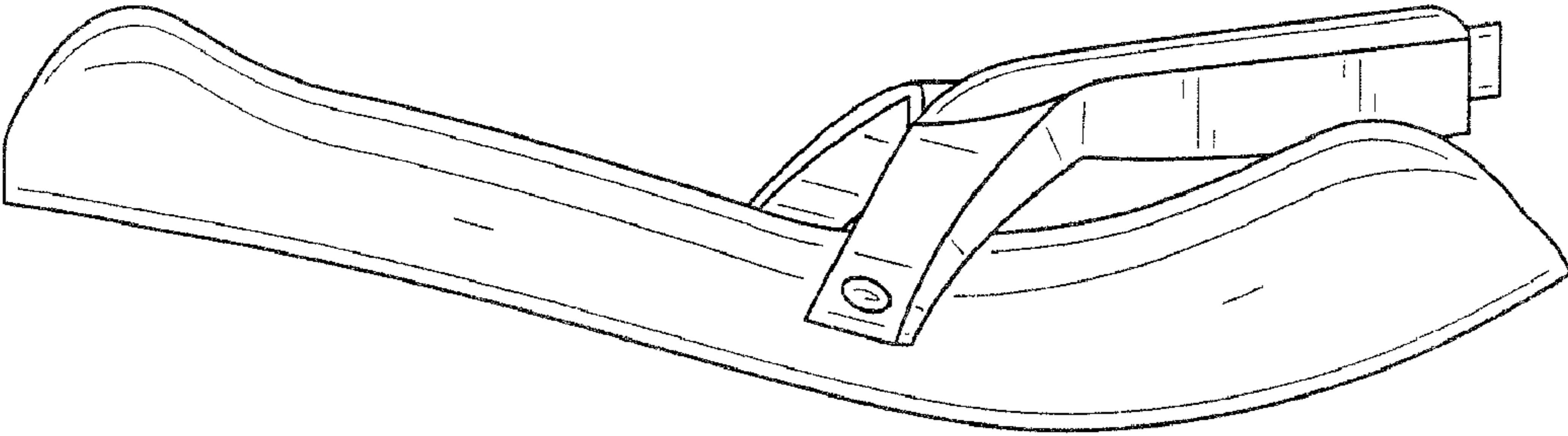


FIG. 8

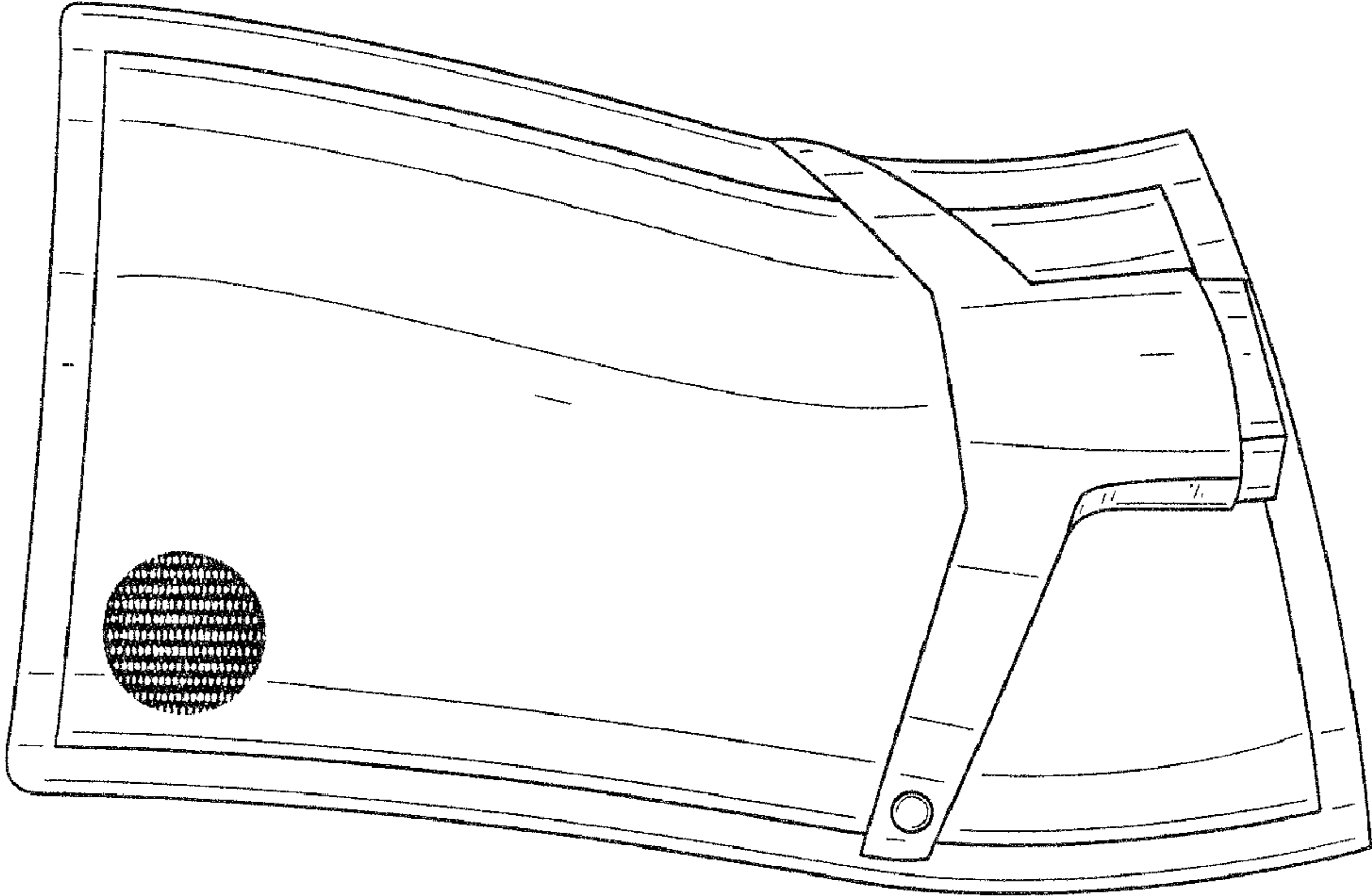


FIG. 7

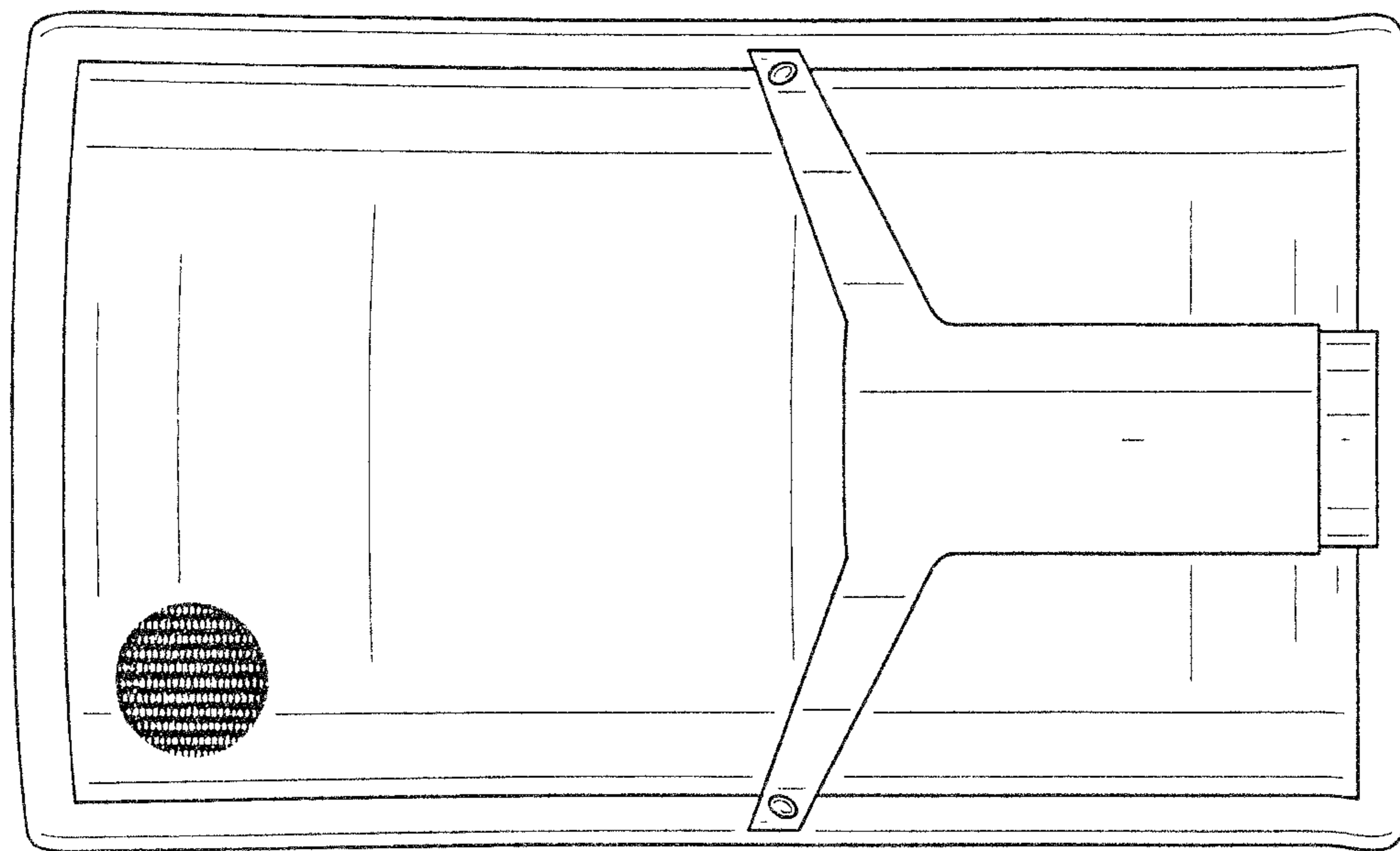


FIG. 10

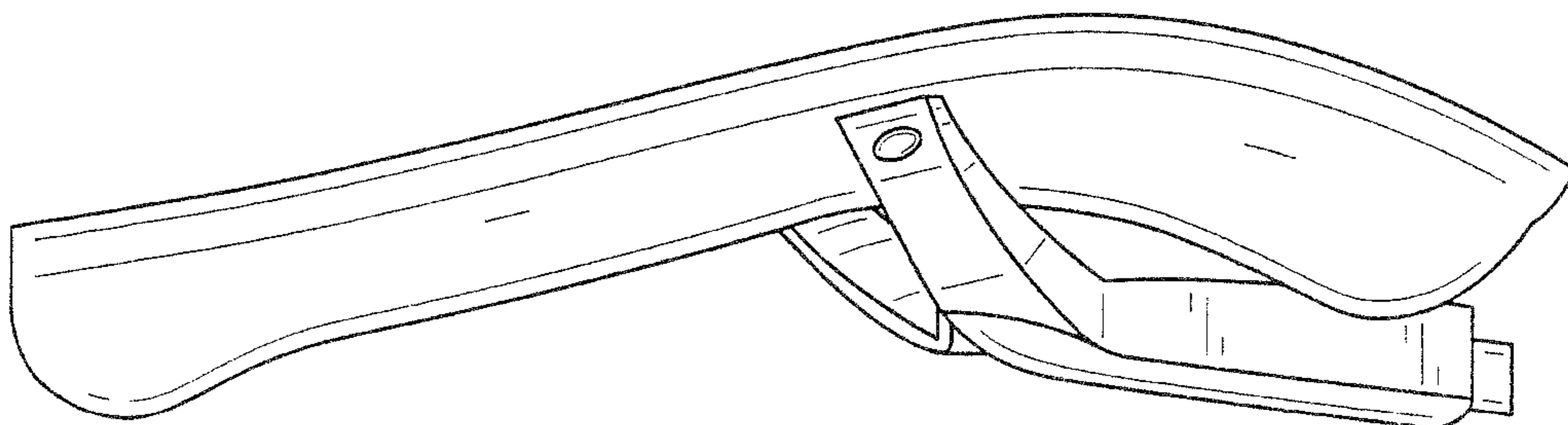


FIG. 9

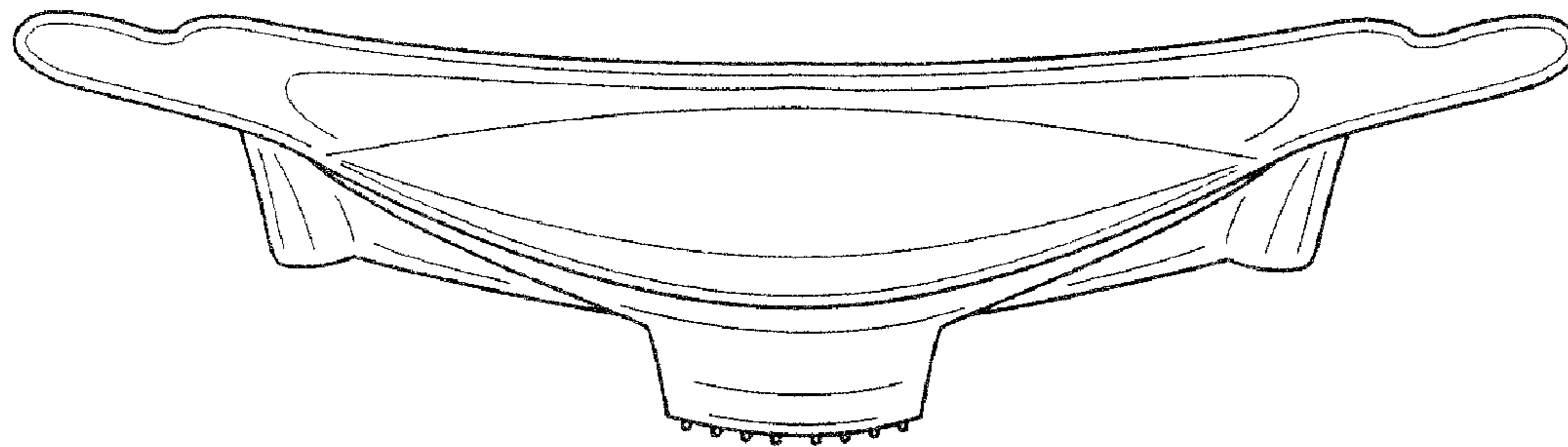


FIG. 12

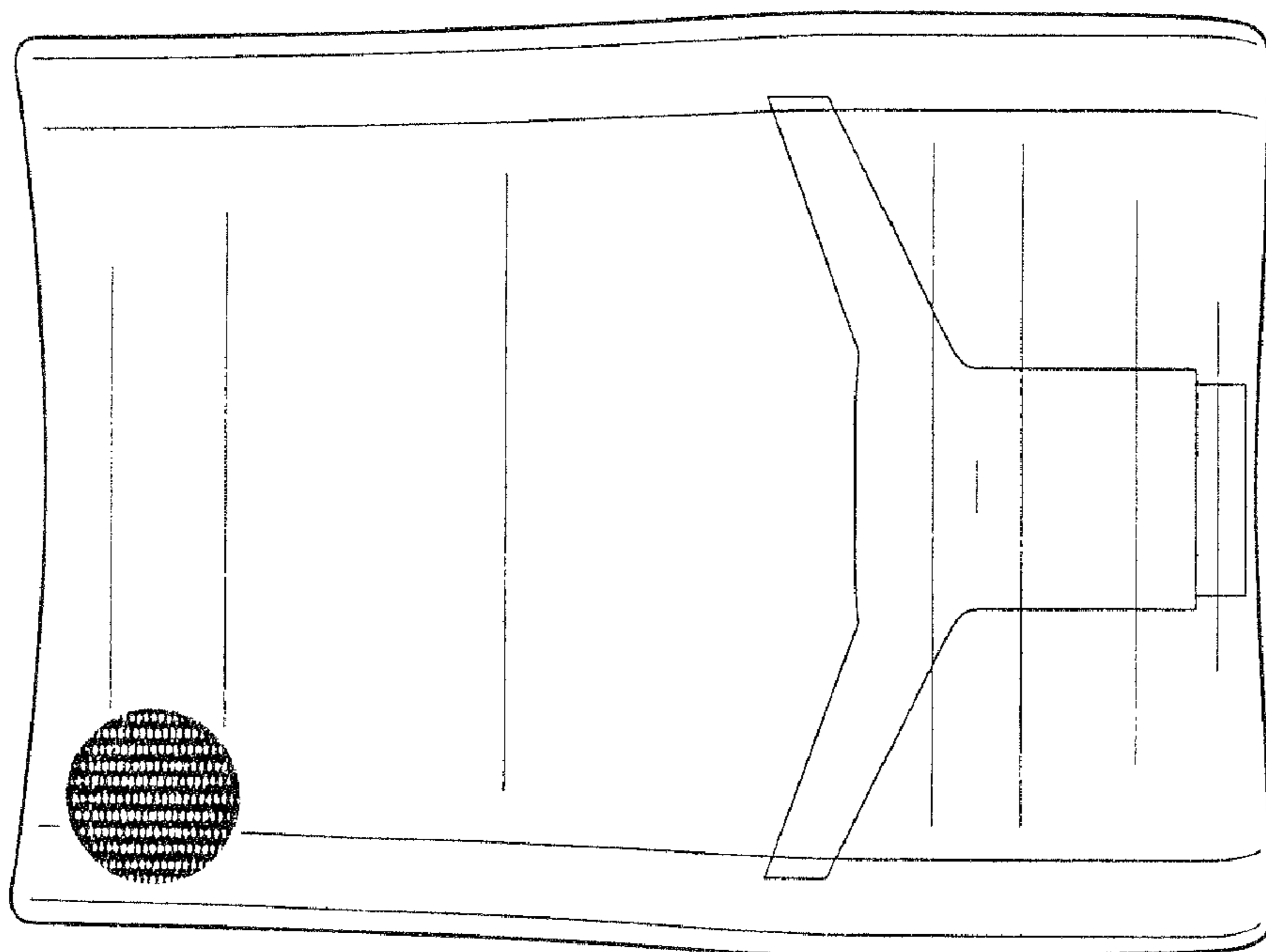


FIG. 11