

US00D594679S

(12) **United States Design Patent**
Gilbert

(10) **Patent No.:** **US D594,679 S**
(45) **Date of Patent:** **** Jun. 23, 2009**

(54) **HANDLE**

(75) Inventor: **Christopher Jon Gilbert**, Moreland Hills, OH (US)

(73) Assignee: **Moen Incorporated**, North Olmsted, OH (US)

(**) Term: **14 Years**

(21) Appl. No.: **29/322,686**

(22) Filed: **Aug. 8, 2008**

(51) **LOC (9) Cl.** **06-06**

(52) **U.S. Cl.** **D6/501**

(58) **Field of Classification Search** D3/12-14;
D6/334-336, 360-369, 372-376, 379-380,
D6/499-502; D23/303-308; 4/538, 546,
4/551, 555, 559, 577.1; 135/65; 297/DIG. 2,
297/239, 445.1, 447.1, 447.2, 448.1, 451.3,
297/452.12, 452.19; D8/107, 300, 307, 310
See application file for complete search history.

(56) **References Cited**

U.S. PATENT DOCUMENTS

D19,992 S *	7/1890	Weihman	D3/14
D20,560 S *	3/1891	Schmidt	D3/14
D21,350 S *	2/1892	Rosenstein	D3/14
1,396,372 A *	11/1921	Kutwicz	135/65
D188,175 S	6/1960	Craig		
D189,906 S	3/1961	Best et al.		
4,417,361 A *	11/1983	Smith	4/577.1
4,887,323 A *	12/1989	DiVito et al.	4/577.1
D316,139 S	4/1991	DiVito et al.		

D373,624 S	9/1996	Obitts		
D377,827 S	2/1997	Dhanapal et al.		
D380,530 S	7/1997	Stanton		
D407,207 S *	3/1999	Hunter	D3/12
6,332,230 B1 *	12/2001	Chang	4/577.1
D487,587 S	3/2004	Gilbert et al.		
D489,799 S	5/2004	Gilbert et al.		
7,203,978 B1	4/2007	Chang		
D566,249 S *	4/2008	Graves et al.	D23/304
D566,250 S *	4/2008	Graves et al.	D23/304
D567,915 S *	4/2008	Graves et al.	D23/304

* cited by examiner

Primary Examiner—Caron Veynar

Assistant Examiner—Ricky Pham

(74) *Attorney, Agent, or Firm*—Calfee, Halter & Griswold LLP

(57) **CLAIM**

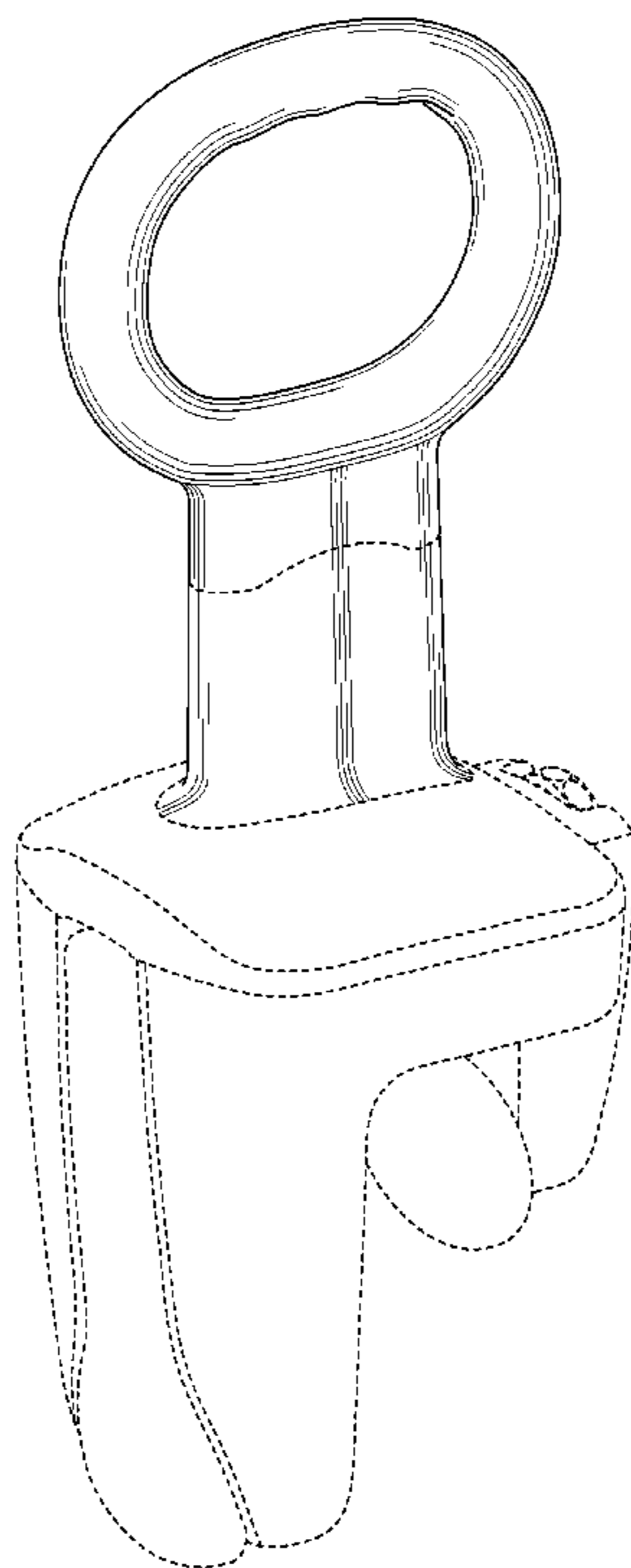
The ornamental design for a handle, as shown and described.

DESCRIPTION

FIG. 1 is a perspective view of a handle of the new design; FIG. 2 is a front elevational view of the handle of FIG. 1; FIG. 3 is a rear elevational view of the handle of FIG. 1; FIG. 4 is a left side elevational view of the handle of FIG. 1; FIG. 5 is a right side elevational view of the handle of FIG. 1; and, FIG. 6 is a top plan view of the handle of FIG. 1.

The portions of the Figures shown in broken lines are not part of the claimed design and are for illustration only.

1 Claim, 4 Drawing Sheets



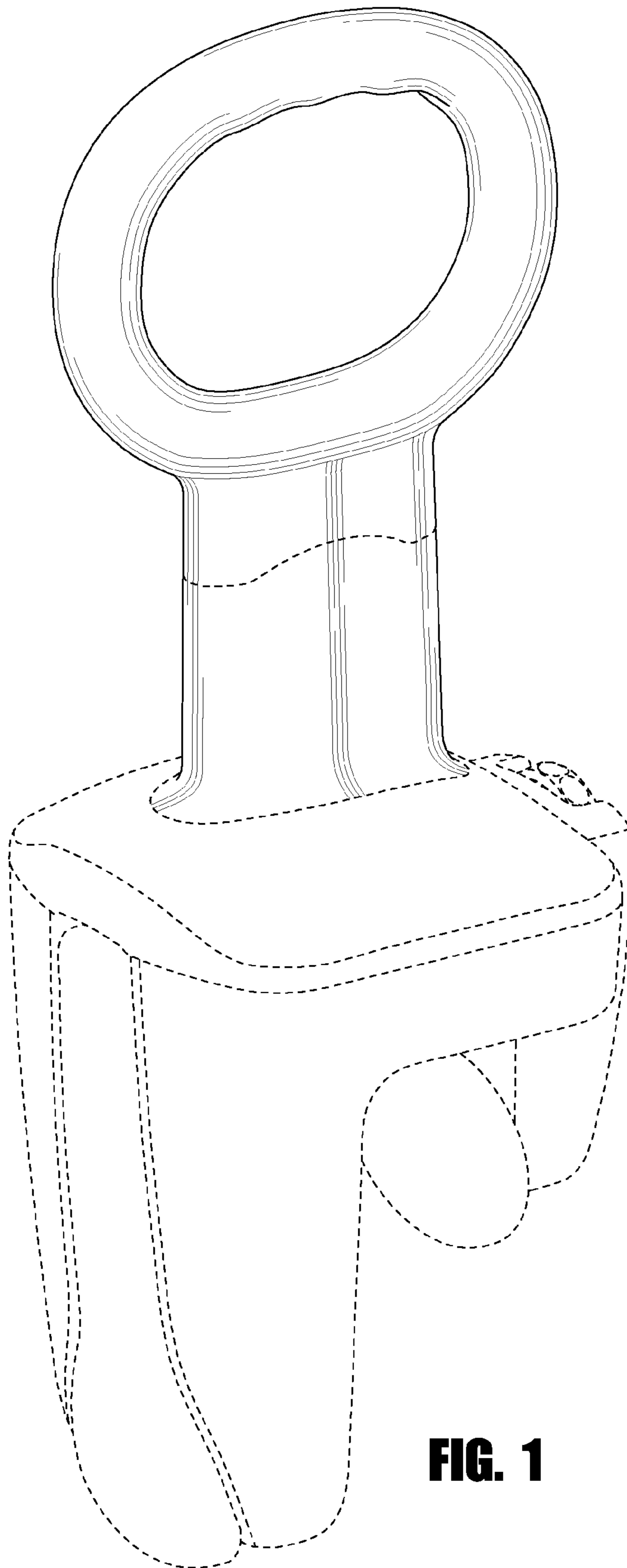


FIG. 1

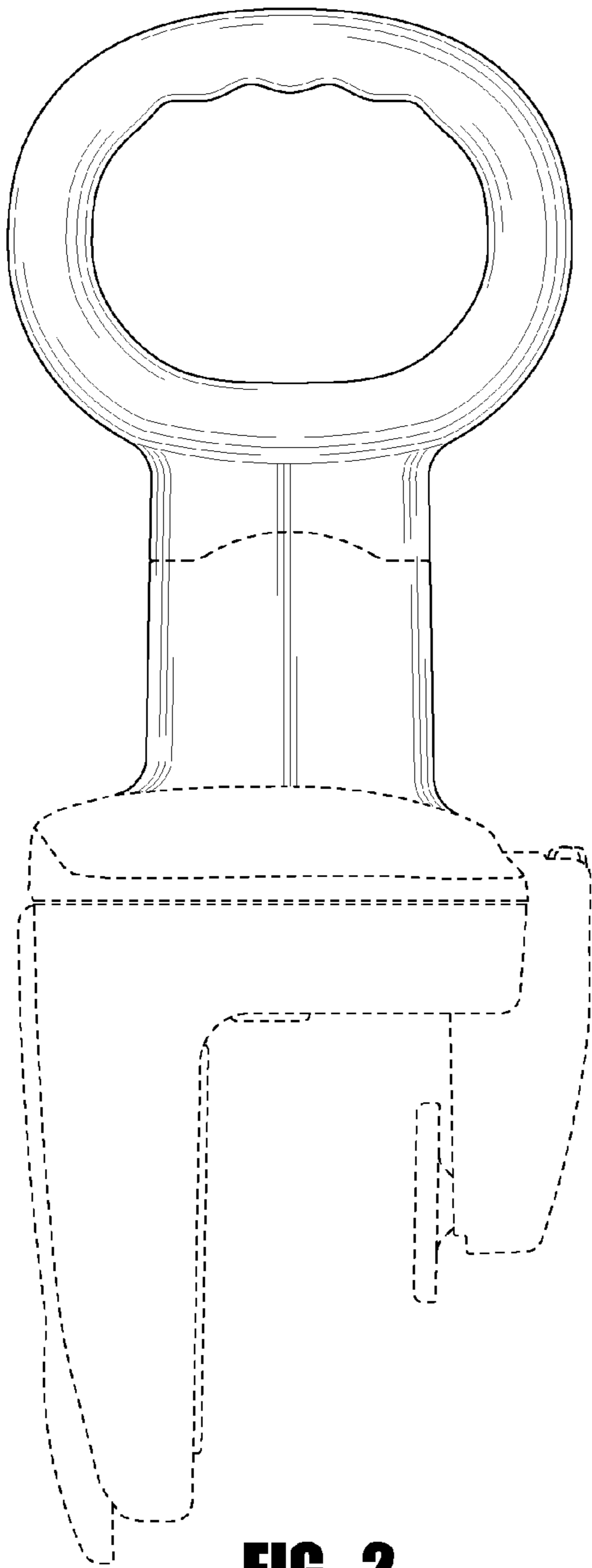


FIG. 2

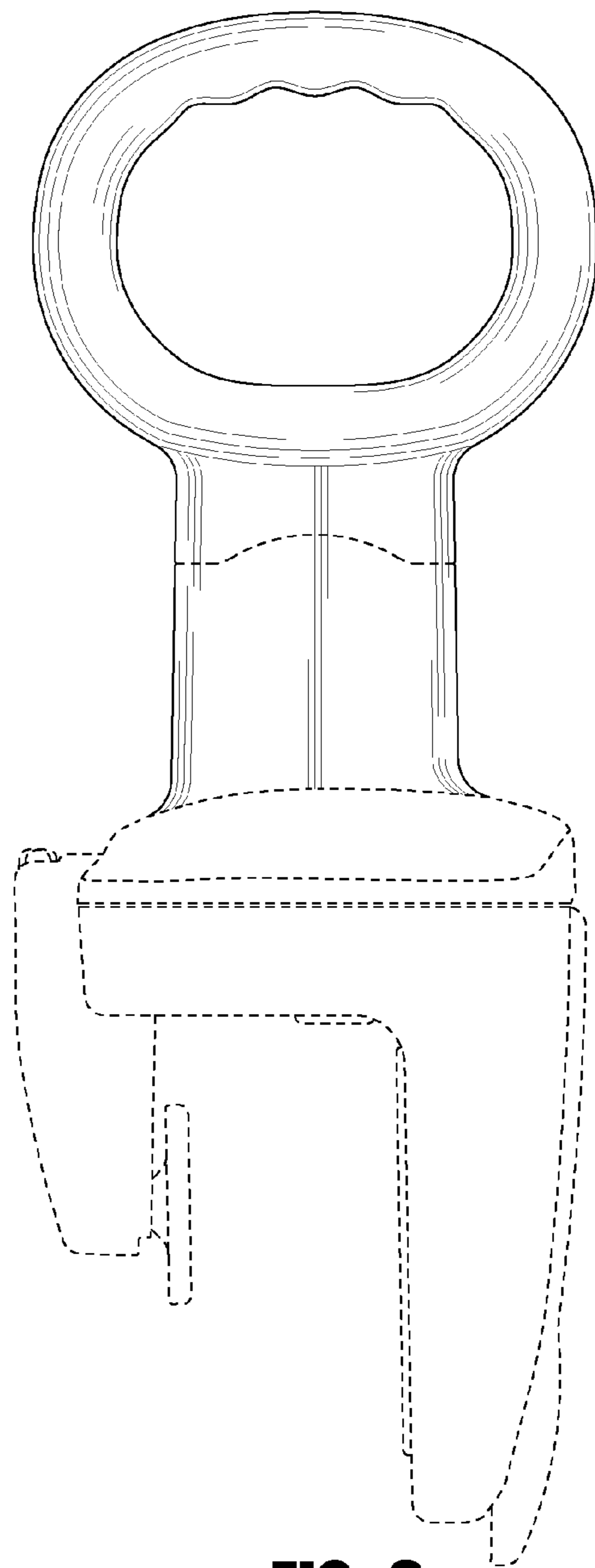


FIG. 3

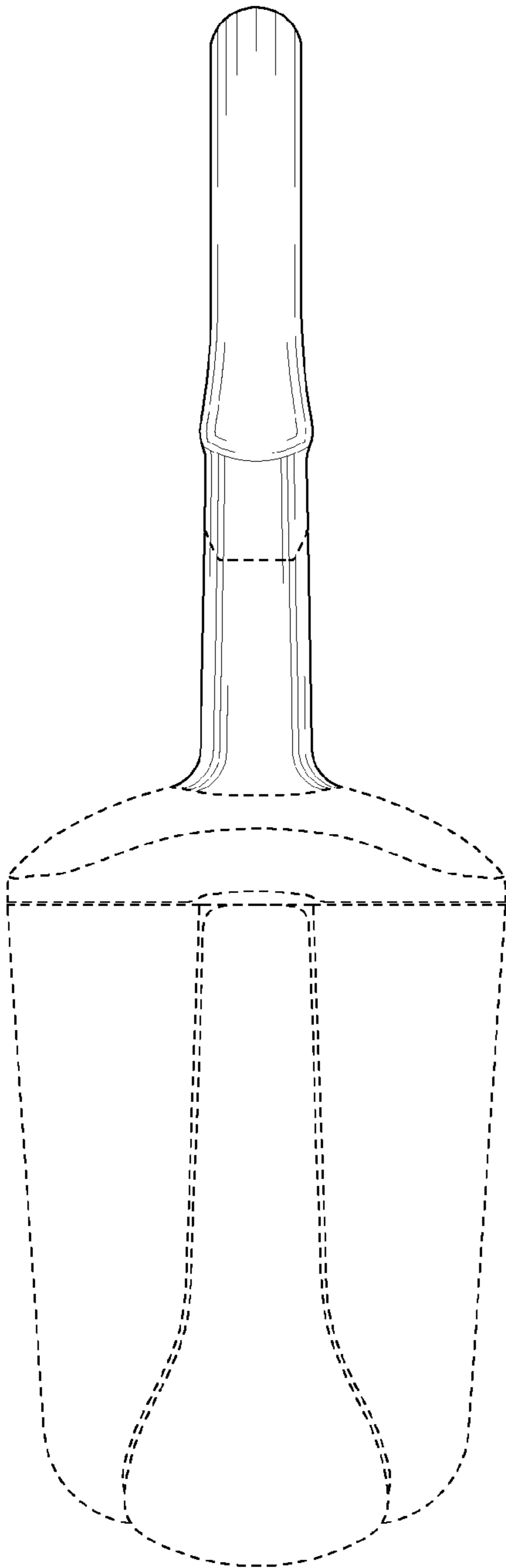


FIG. 4

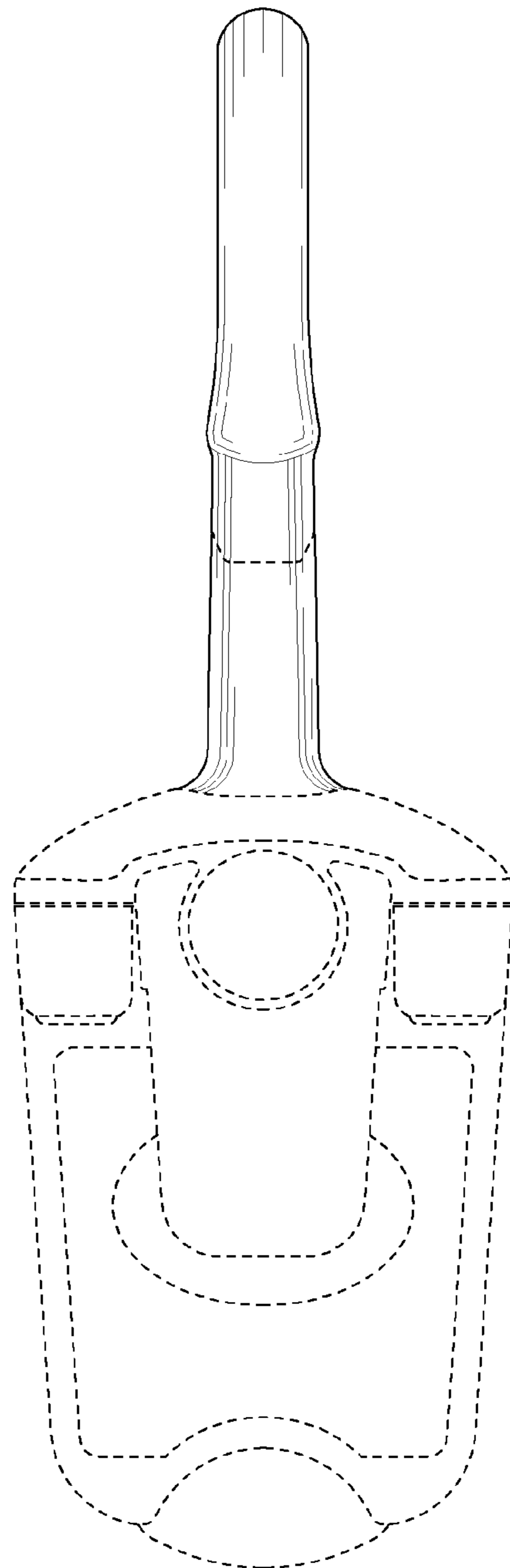


FIG. 5

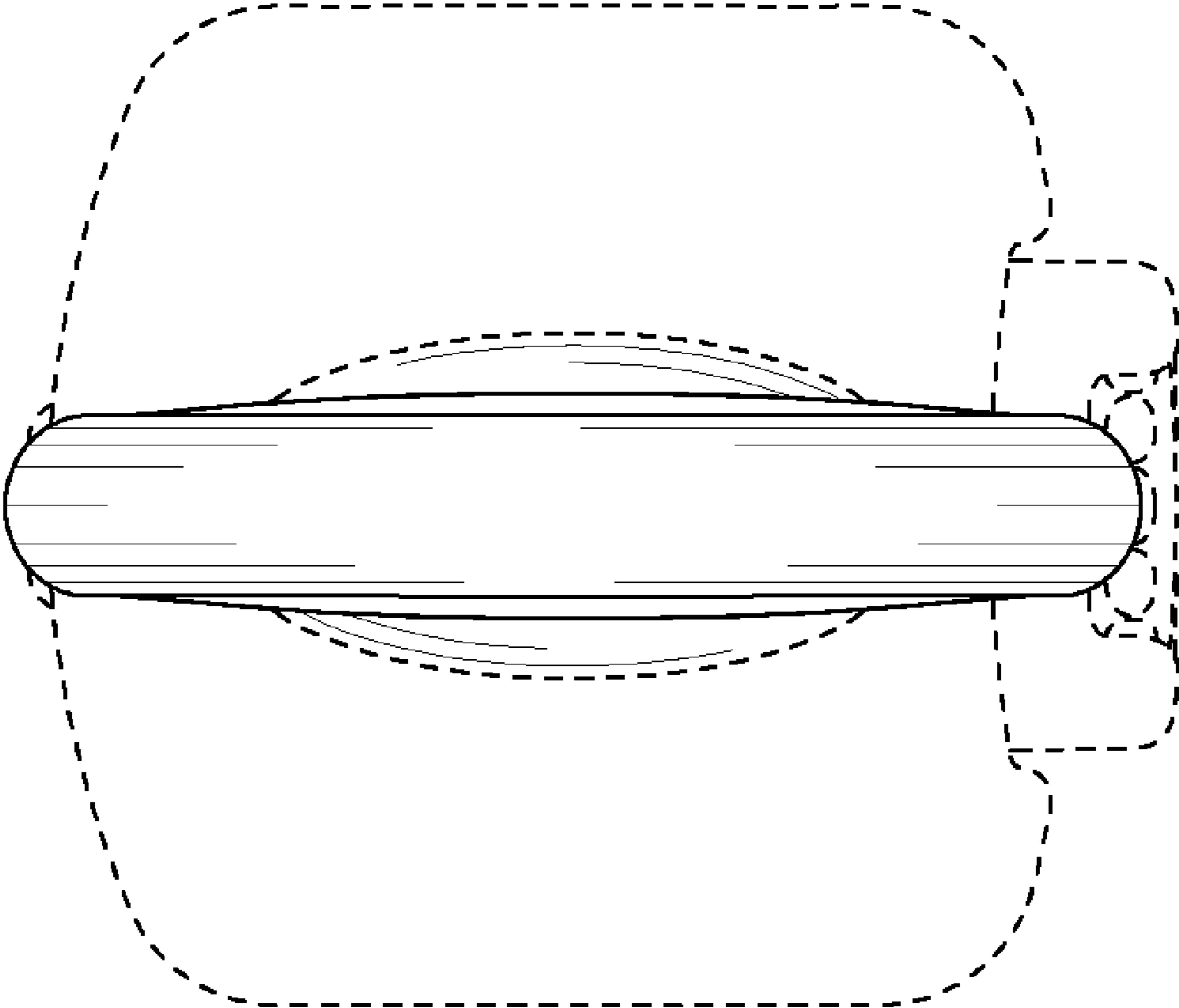


FIG. 6