



US00D594675S

(12) **United States Design Patent**
Cahaly

(10) **Patent No.:** **US D594,675 S**
(45) **Date of Patent:** **** Jun. 23, 2009**

(54) **TAILGATE TELEVISION STAND**

D545,081 S * 6/2007 Lara D6/466
D576,427 S * 9/2008 Stebbens et al. D6/477
D582,700 S * 12/2008 Stebbens et al. D6/477

(76) Inventor: **Craig A. Cahaly**, 919 Chester Cir.,
Pendleton, SC (US) 29670

* cited by examiner

(**) Term: **14 Years**

Primary Examiner—Caron Veynar
Assistant Examiner—Sydney R Buffalow

(21) Appl. No.: **29/307,712**

(74) *Attorney, Agent, or Firm*—McNair Law Firm, PA; Cort
Flint

(22) Filed: **May 7, 2008**

(51) **LOC (9) Cl.** **06-04**

(57) **CLAIM**

(52) **U.S. Cl.** **D6/449; D12/223**

The ornamental design for a tailgate television stand, as
shown and described.

(58) **Field of Classification Search** D6/479,
D6/466, 477, 418, 476, 449; 108/28, 59,
108/91, 93, 144.11, 147.11, 147.17, 150;
248/279, 329, 276.1; D12/162, 223, 181,
D12/106

DESCRIPTION

See application file for complete search history.

FIG. 1 is a front perspective view of my new design in a closed
position;

(56) **References Cited**

FIG. 2 is a front perspective view of my new design in an open
state;

U.S. PATENT DOCUMENTS

FIG. 3 is a rear perspective view of FIG. 2;

- D378,669 S * 4/1997 Gregory D12/162
- D474,047 S * 5/2003 Lara D6/479
- D482,314 S * 11/2003 McCoy et al. D12/223
- D508,171 S * 8/2005 Choo D6/477
- D517,349 S * 3/2006 Lara D6/477
- D520,440 S * 5/2006 Lee D12/223
- D527,028 S * 8/2006 Ford D15/28
- D531,428 S * 11/2006 Choo D6/477
- D539,566 S * 4/2007 Anderson D6/474

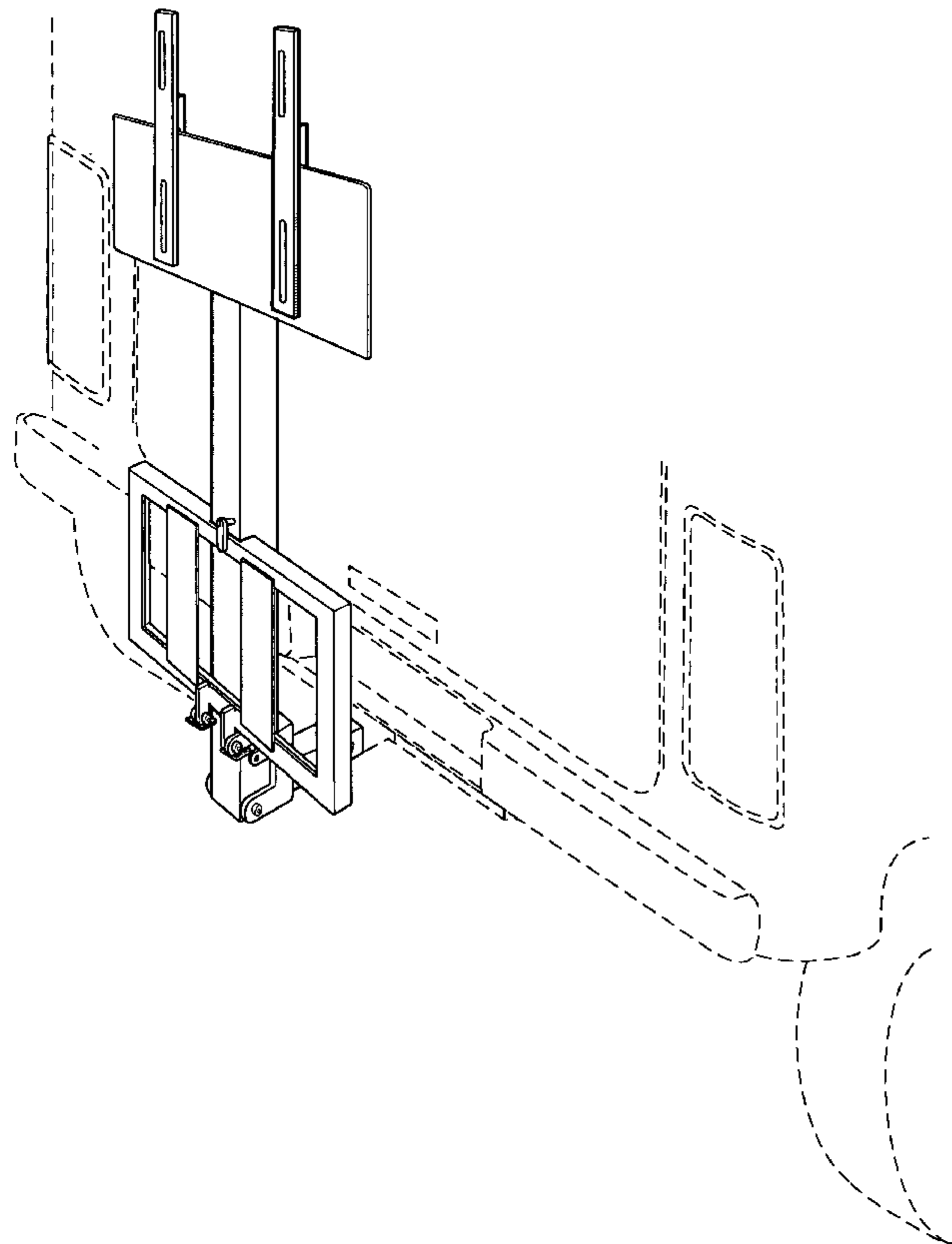
FIG. 4 is a side elevational view of FIG. 1;

FIG. 5 is a side elevational view of FIG. 2; and,

FIG. 6 is a rear elevational view of FIG. 2.

The broken lines are for environmental purposes only and
form no part of the claimed design.

1 Claim, 5 Drawing Sheets



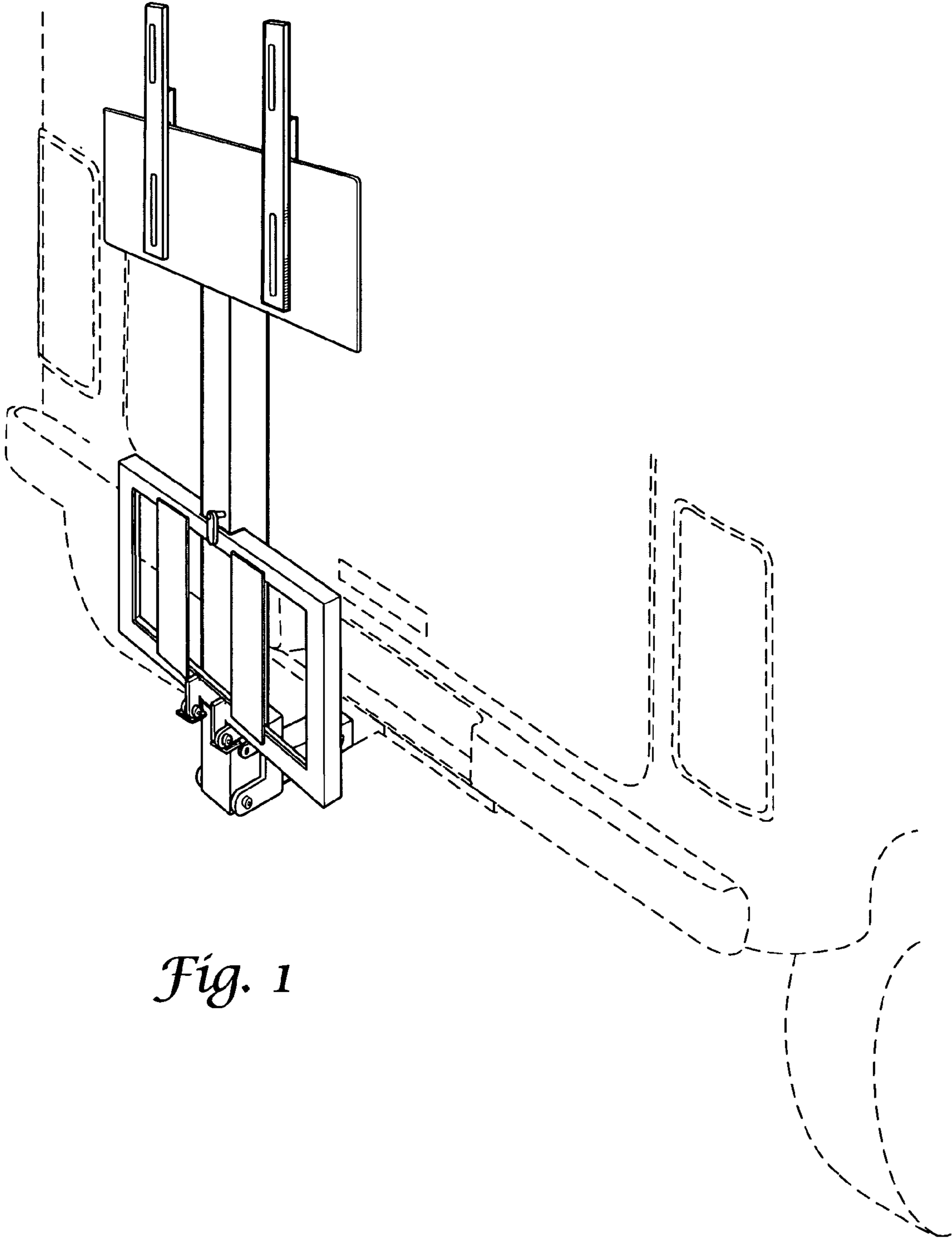


Fig. 1

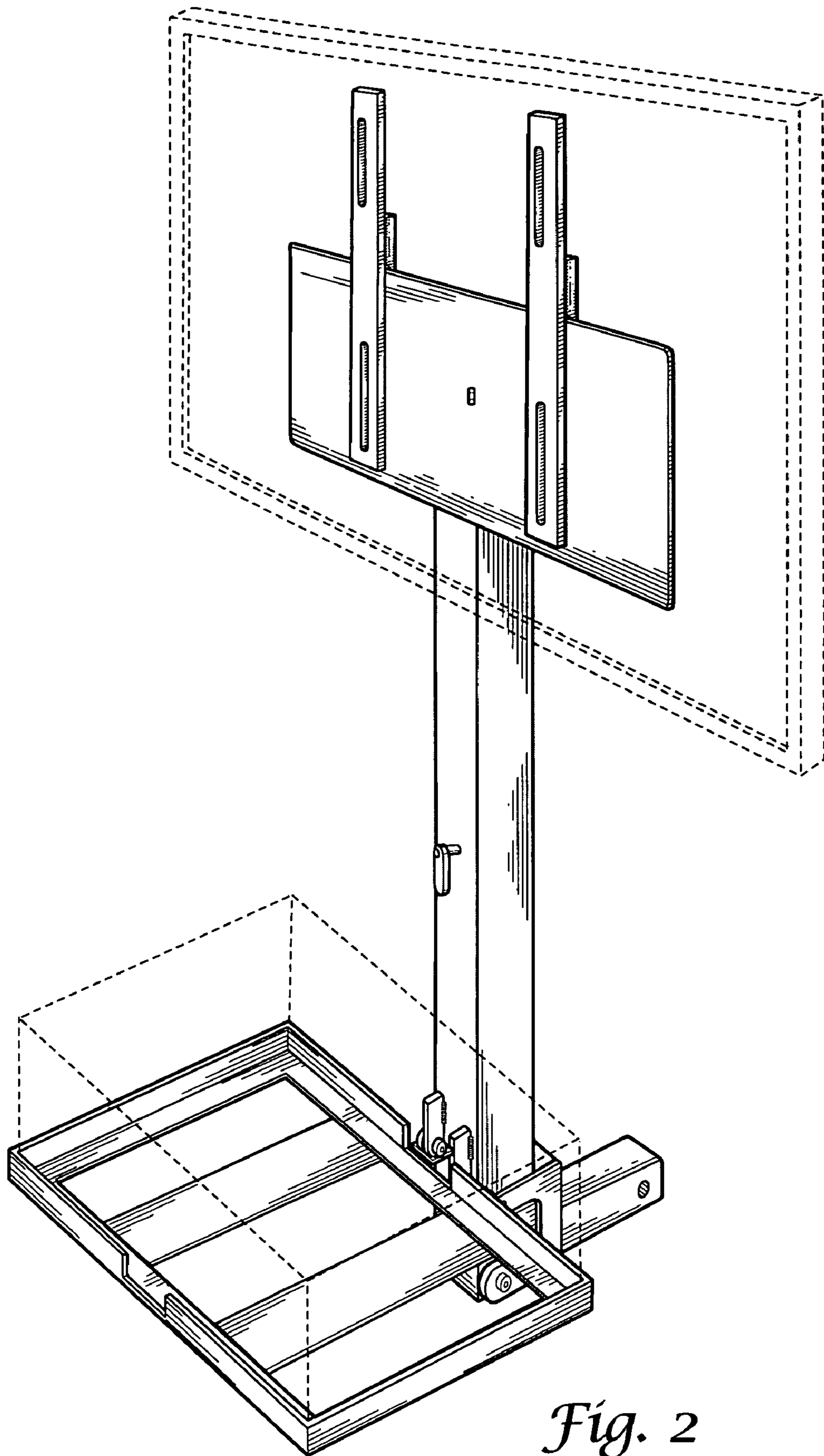


Fig. 2

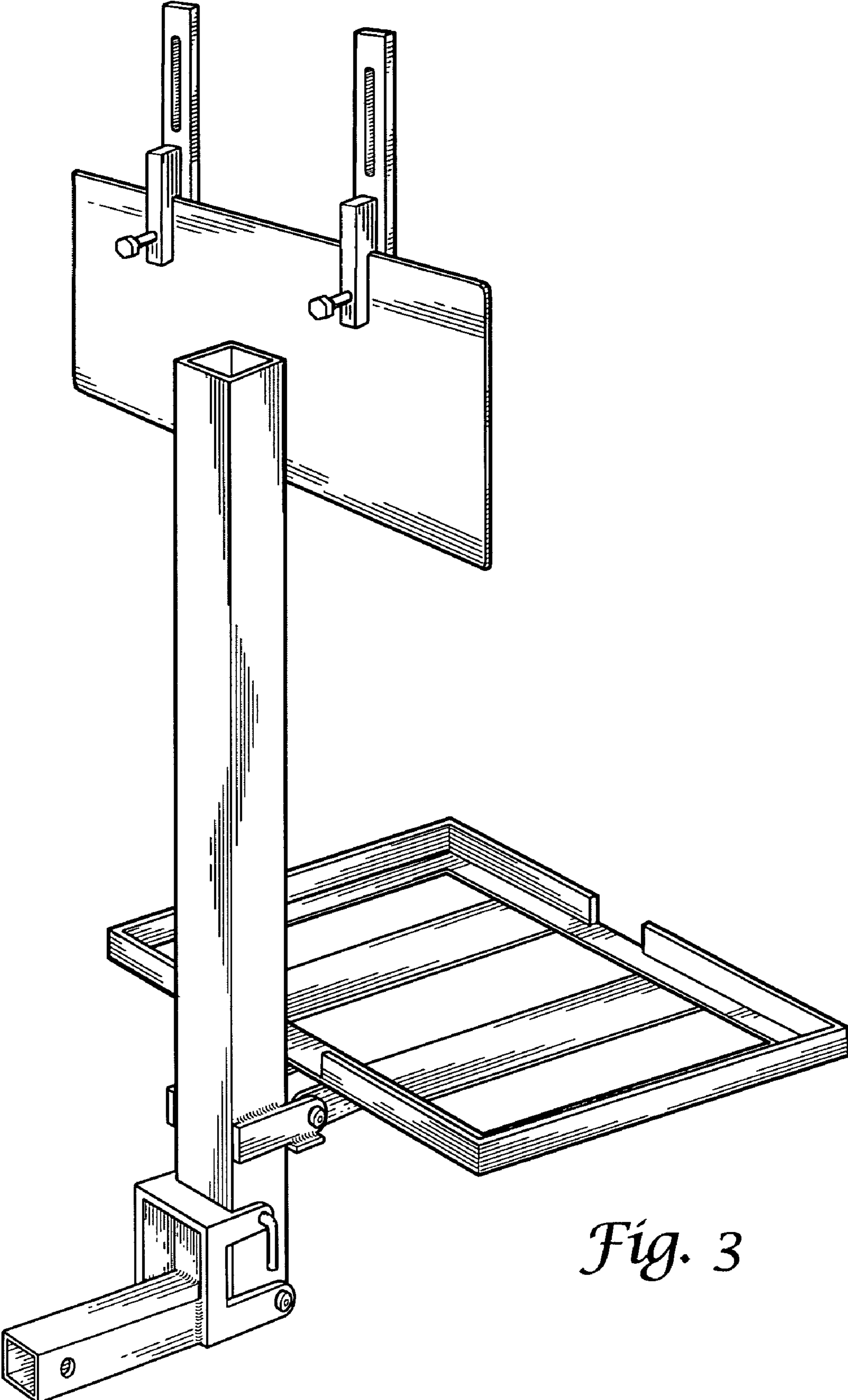


Fig. 3

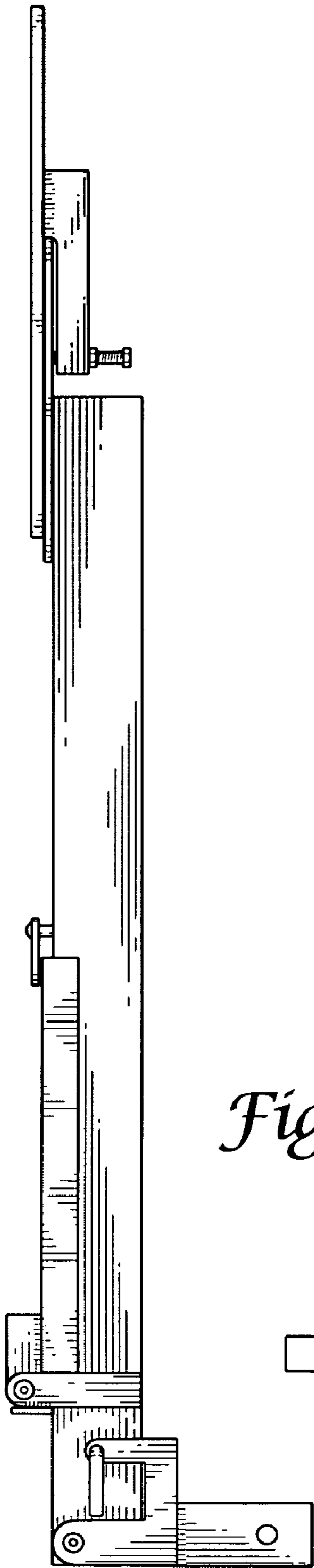


Fig. 4

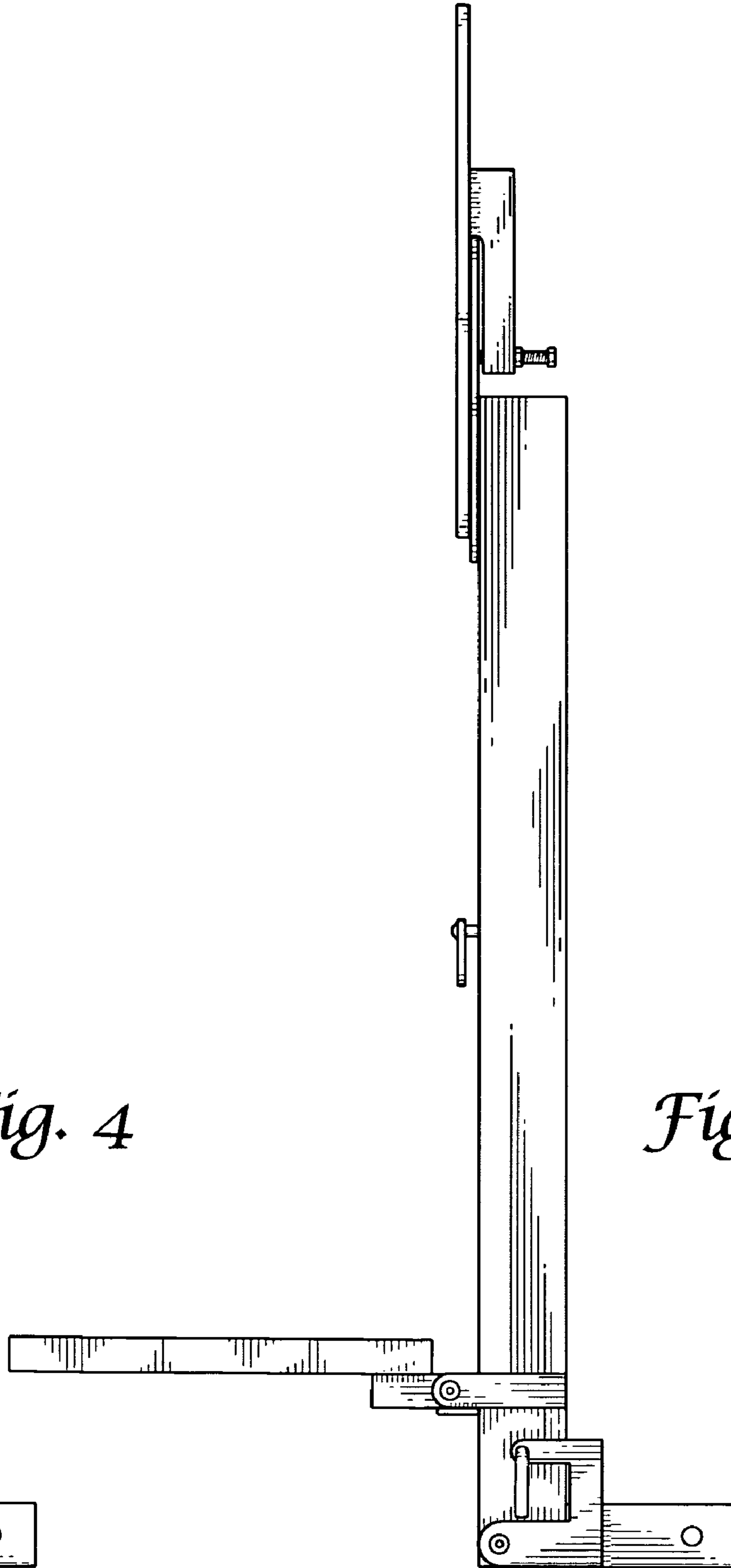


Fig. 5

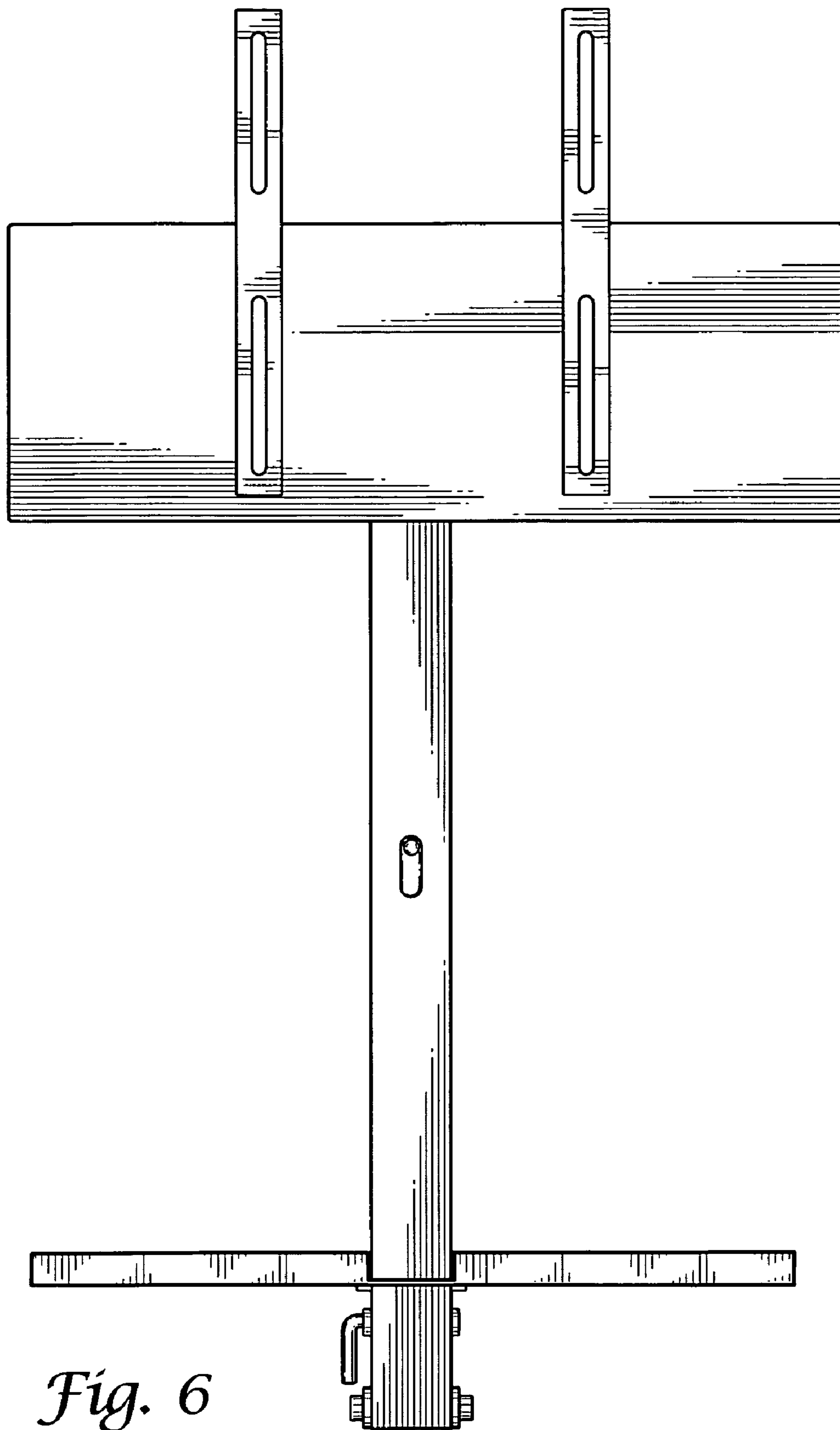


Fig. 6