

US00D594671S

(12) **United States Design Patent**
Brandon

(10) **Patent No.:** **US D594,671 S**
(45) **Date of Patent:** **** Jun. 23, 2009**

(54) **CABINET**

(75) Inventor: **John Bradford Brandon**, Attica, NY
(US)

(73) Assignee: **Artone Manufacturing Co., Inc.**,
Jamestown, NY (US)

(**) Term: **14 Years**

(21) Appl. No.: **29/306,152**

(22) Filed: **Apr. 3, 2008**

(51) **LOC (9) Cl.** **06-04**

(52) **U.S. Cl.** **D6/436**

(58) **Field of Classification Search** D6/432-448,
D6/457, 459, 470, 477, 479; 312/114, 194,
312/198, 138.1, 204, 224, 237, 257.1, 279;
D34/14, 17, 19, 21

See application file for complete search history.

(56) **References Cited**

U.S. PATENT DOCUMENTS

- D231,814 S * 6/1974 Weaver D6/442
- D241,489 S * 9/1976 Karlin D6/448
- D241,899 S * 10/1976 Kingsford D6/436
- D299,390 S * 1/1989 Van Cleave D6/436

- D299,599 S * 1/1989 Everett et al. D6/436
- 4,838,625 A * 6/1989 Taylor 312/249.5
- D329,251 S * 9/1992 Olswold et al. D34/19
- D515,847 S * 2/2006 Moon et al. D6/477
- D543,723 S * 6/2007 Brown et al. D6/436
- D549,001 S * 8/2007 Brandon D6/436

* cited by examiner

Primary Examiner—Mimosa De

(74) *Attorney, Agent, or Firm*—Coats & Bennett, P.L.L.C.

(57) **CLAIM**

The ornamental design for a cabinet, as shown and described.

DESCRIPTION

FIG. 1 is a perspective view of the cabinet.

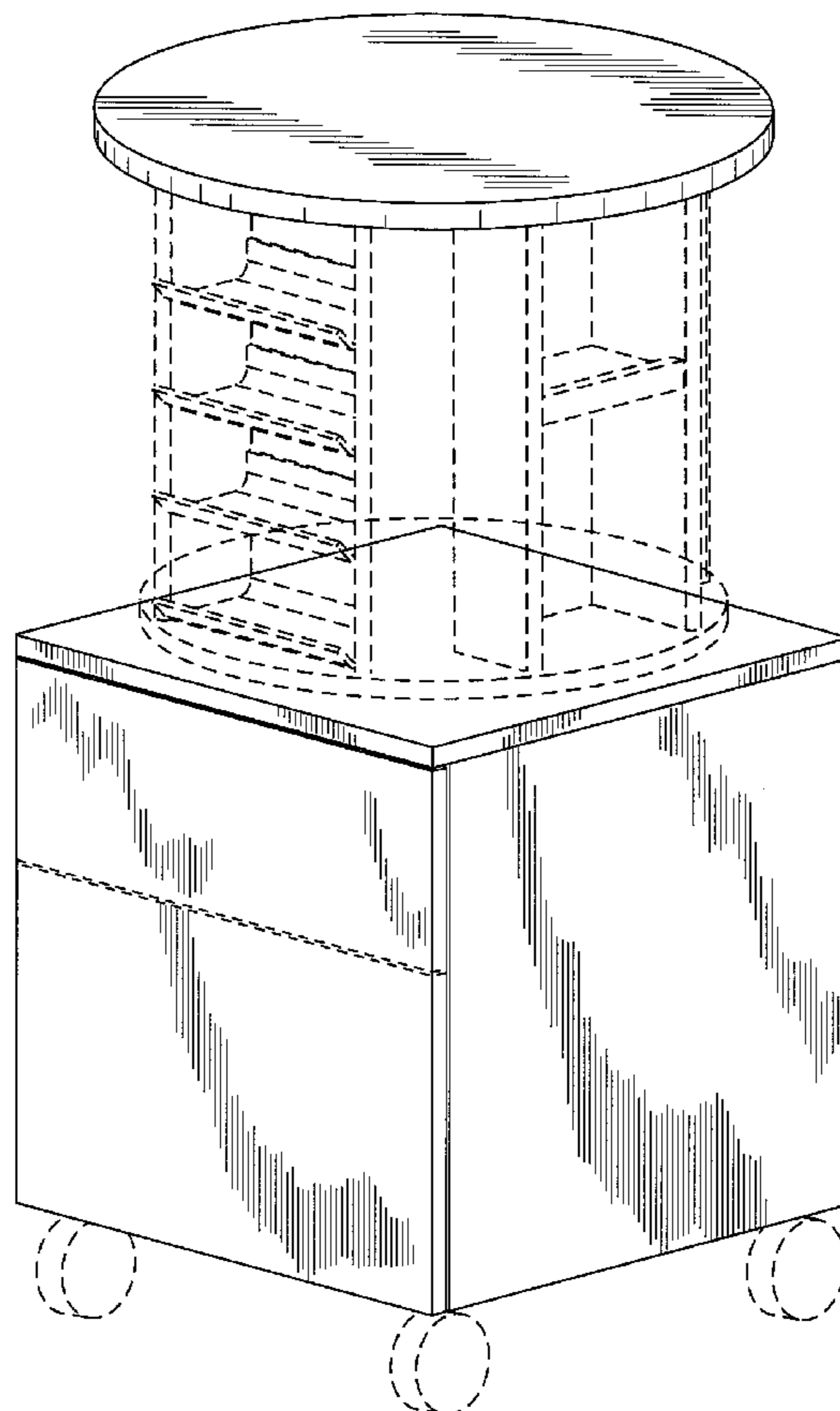
FIG. 2 is a front elevational view of the cabinet; and,

FIG. 3 is a side elevational view of the cabinet with the opposite side being a mirror image of the same.

Portions of the design shown in broken lines form no part of the claimed design.

The bottom and back portions of the cabinet form no part of the claimed design.

1 Claim, 3 Drawing Sheets



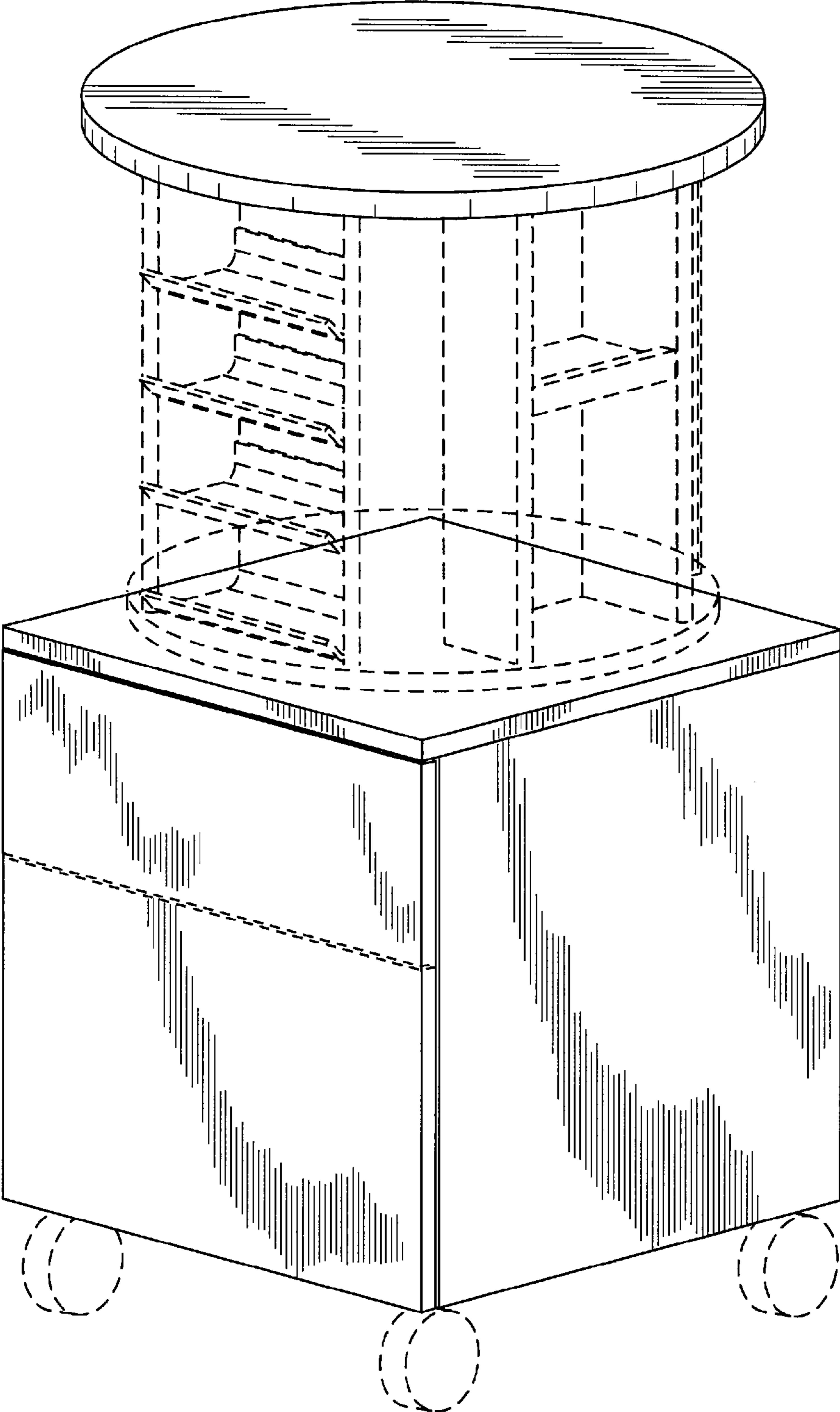


FIG. 1

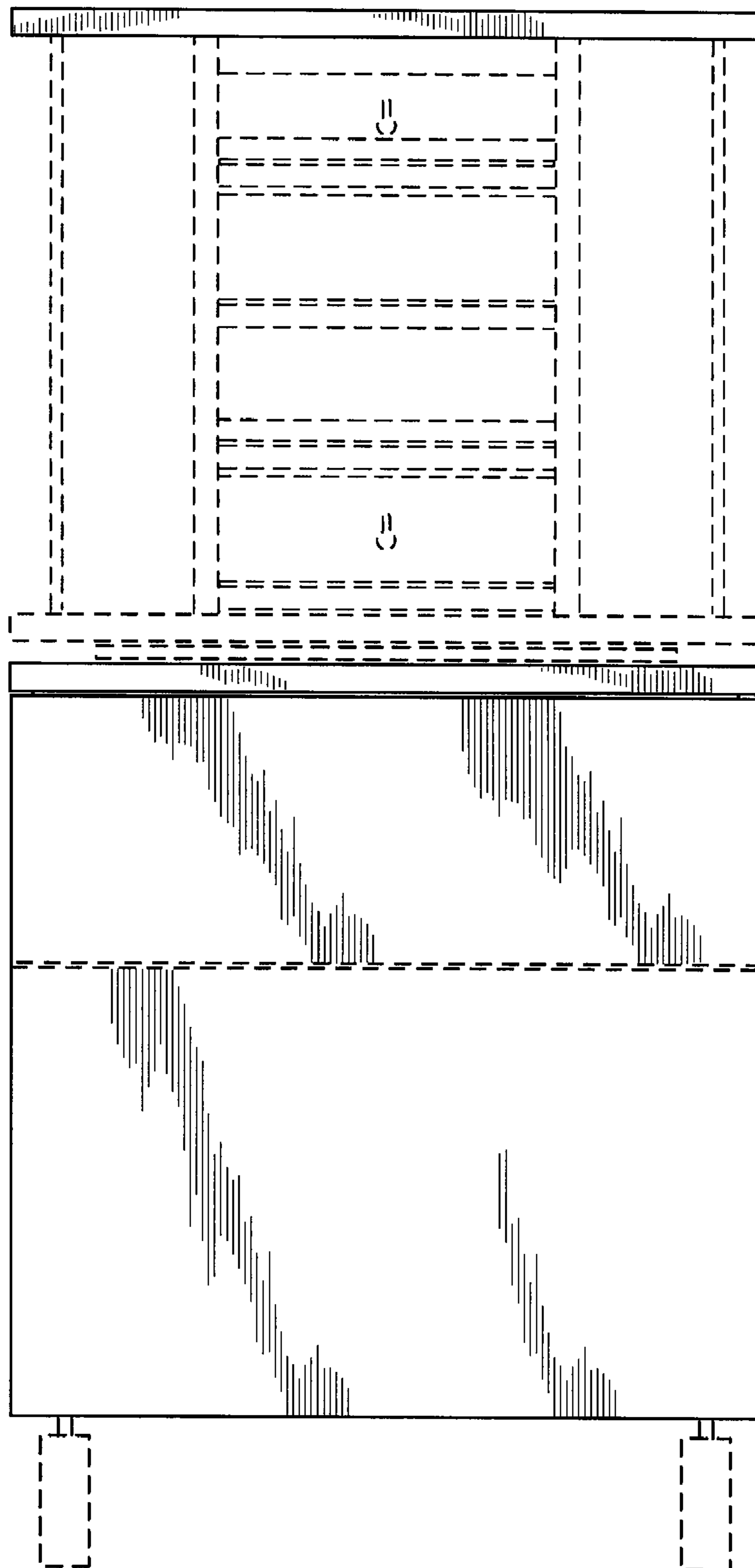


FIG. 2

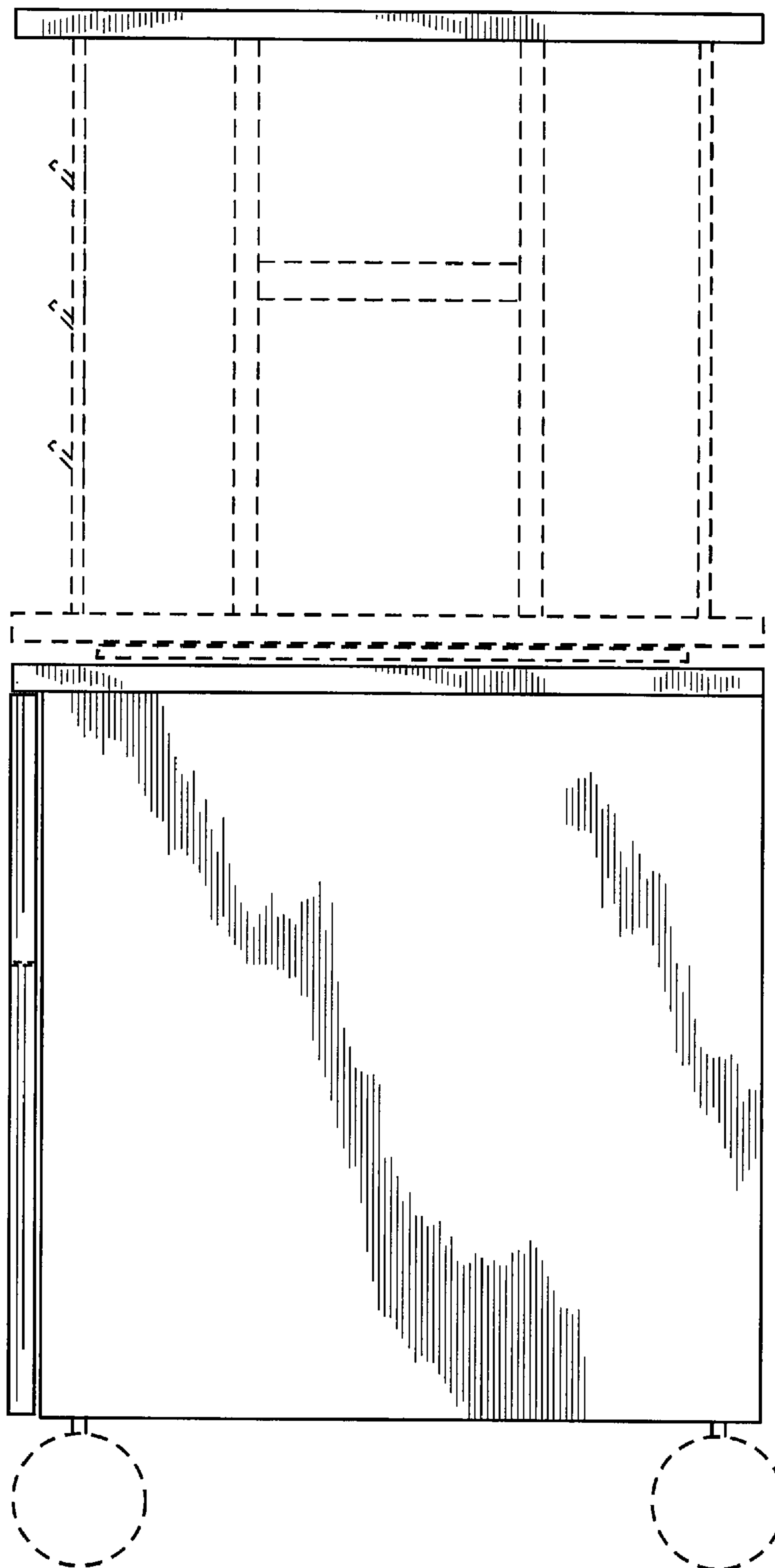


FIG. 3