



US00D594669S

(12) **United States Design Patent**
Asano

(10) **Patent No.:** **US D594,669 S**
(45) **Date of Patent:** **** Jun. 23, 2009**

(54) **CHAIR**

(75) Inventor: **Hiroshi Asano**, Aichi-ken (JP)

(73) Assignee: **Aichi Co., Ltd.**, Aichi-ken (JP)

(**) Term: **14 Years**

(21) Appl. No.: **29/331,864**

(22) Filed: **Feb. 3, 2009**

(30) **Foreign Application Priority Data**

Aug. 5, 2008 (JP) 2008-020165

(51) **LOC (9) Cl.** **06-01**

(52) **U.S. Cl.** **D6/376**

(58) **Field of Classification Search** D6/334-335,
D6/364, 365, 366, 368, 370, 372, 373, 374,
D6/375, 376, 379, 380, 500-502; 297/16.1,
297/239, 285, 299, 445.1, 446.1, 448.1, 451.3,
297/452.15

See application file for complete search history.

(56) **References Cited**

U.S. PATENT DOCUMENTS

D336,382 S * 6/1993 Hubert D6/370
D409,407 S * 5/1999 Wang D6/375
D413,029 S * 8/1999 Caruso D6/374
D451,693 S 12/2001 Pearce et al.
D464,495 S * 10/2002 Chu D6/374
D467,445 S * 12/2002 Saffell et al. D6/374
D469,971 S * 2/2003 Piretti D6/374
D505,801 S * 6/2005 Cesaroni et al. D6/379
D513,457 S * 1/2006 Asano et al. D6/380
D513,902 S * 1/2006 Piretti D6/380

(Continued)

FOREIGN PATENT DOCUMENTS

KR 30040573000 A 2/2008

OTHER PUBLICATIONS

Notice of Rejection in Japanese Design Patent Application No. 2008-020174; pp. 1-2; 2008.

English translation of passages of Notice of Rejection in Japanese Design Patent Application No. 2008-020174; 2008.

Notice of Rejection in Japanese Design Patent Application No. 2008-020171; pp. 1-2, 2008.

(Continued)

Primary Examiner—Mimosa De

(74) *Attorney, Agent, or Firm*—Vincent K. Gustafson; Intellectual Property / Technology Law

(57) **CLAIM**

The ornamental design for a chair, as shown and described.

DESCRIPTION

FIG. 1 is a perspective view of a chair showing my new design, with the chair disposed in an open position;

FIG. 2 is a front elevation view thereof, with the chair disposed in an open position;

FIG. 3 is a rear elevation view thereof, with the chair disposed in an open position;

FIG. 4 is a top plan view thereof, with the chair disposed in an open position;

FIG. 5 is a bottom plan view thereof, with the chair disposed in an open position;

FIG. 6 is a left side elevation view thereof, with the chair disposed in an open position;

FIG. 7 is a left side elevation view thereof, with the chair disposed in a closed position;

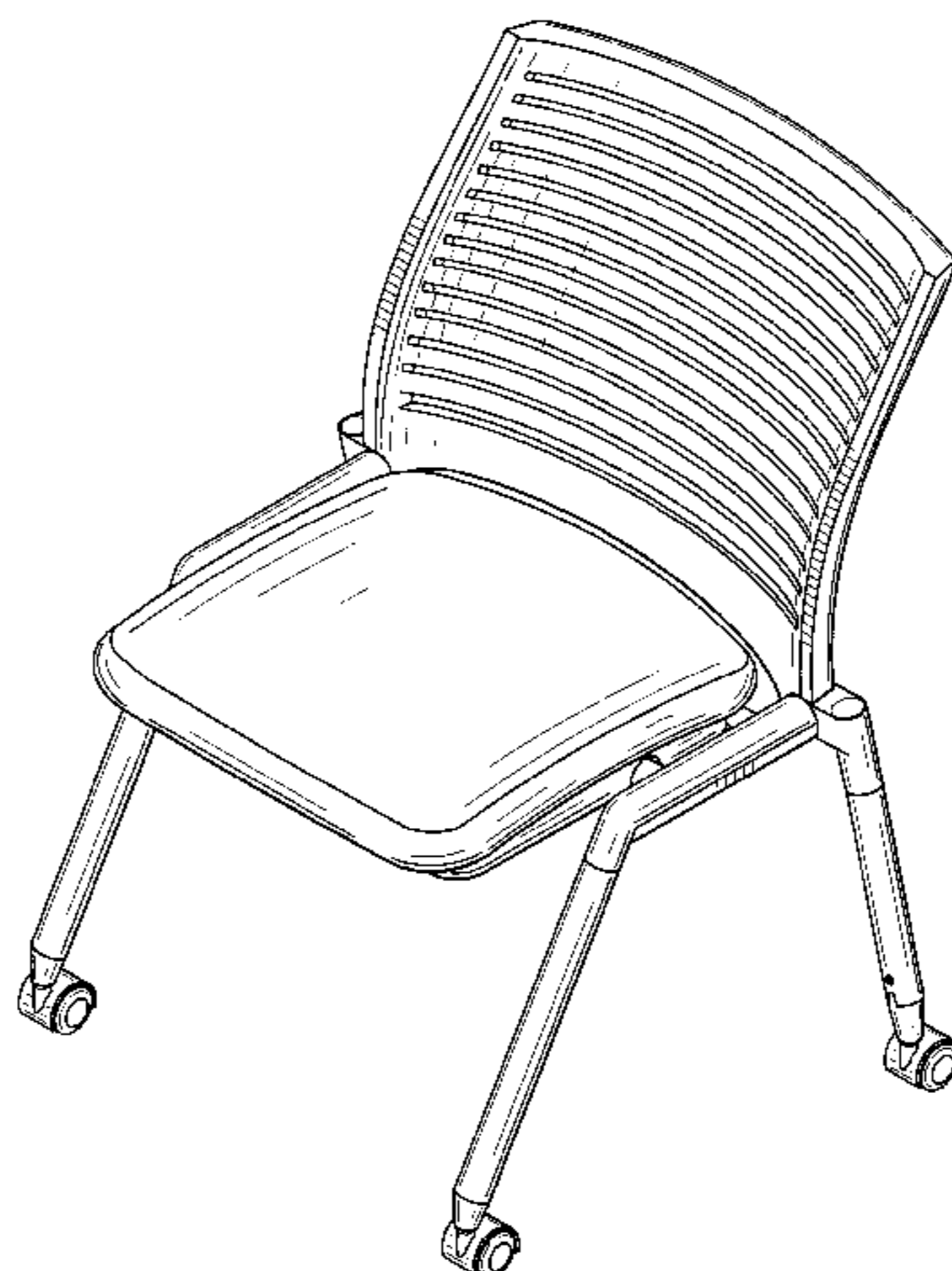
FIG. 8 is a left side elevation view thereof, with the chair in an open position, and further showing as environmental structure in broken lines another like chair stacked thereon; and,

FIG. 9 is a left side elevation view thereof, with the chair in a closed position, and further showing as environmental structure in broken lines another like chair stacked thereon.

The right side elevation view of the chair is a mirror image of the left side elevation view thereof.

All structures indicated in broken lines are not part of the design sought to be patented.

1 Claim, 9 Drawing Sheets



US D594,669 S

Page 2

U.S. PATENT DOCUMENTS

D514,345 S * 2/2006 Igarashi D6/379
D515,331 S * 2/2006 Piretti D6/380
D517,828 S * 3/2006 Magnani et al. D6/380
D520,769 S * 5/2006 Bernett et al. D6/379
D546,574 S * 7/2007 Kaloustian D6/374
D586,577 S * 2/2009 Koh D6/376
2003/0164635 A1* 9/2003 Battey et al. 297/299

OTHER PUBLICATIONS

English translation of passages of Notice of Rejection in
Japanese Design Patent Application No. 2008-020171; 2008.

Steelcase Corp., Brochure for Steelcase Corporation Cachet
chair product, pp. 1-4, Publisher: Steelcase Corp. Jul. 2004.
Steelcase Corp., Website for Steelcase Corporation Cachet
chair product, Publisher: Steelcase Corp.; 2008; accessible at
http://www.steelcase.com/na/cachet_products.aspx?f=13467.

PATRA Corp., Advertisement for chair products, pp. 1-2,
PATRA Corporation, 2008.

* cited by examiner



FIG. 1

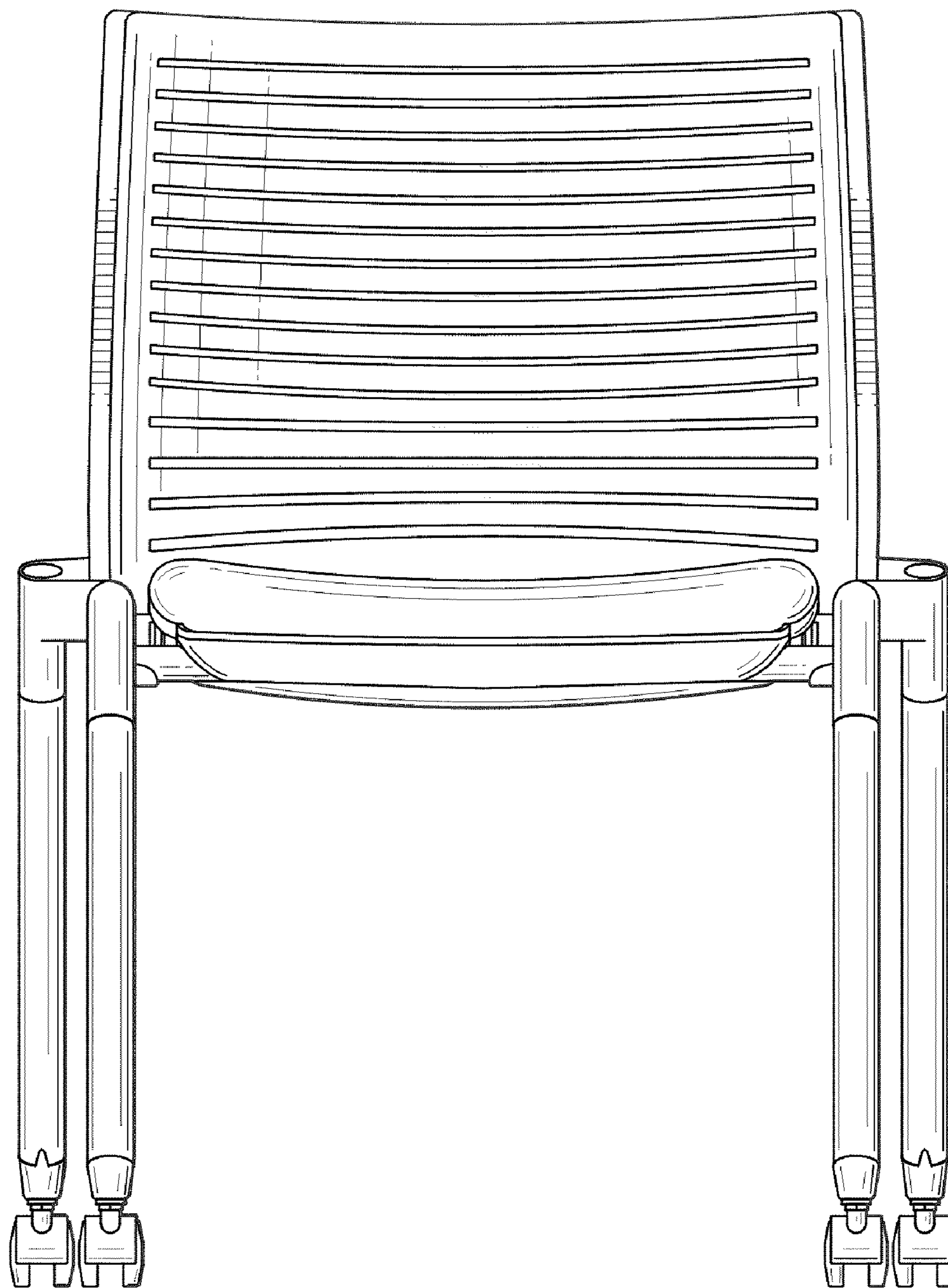


FIG. 2

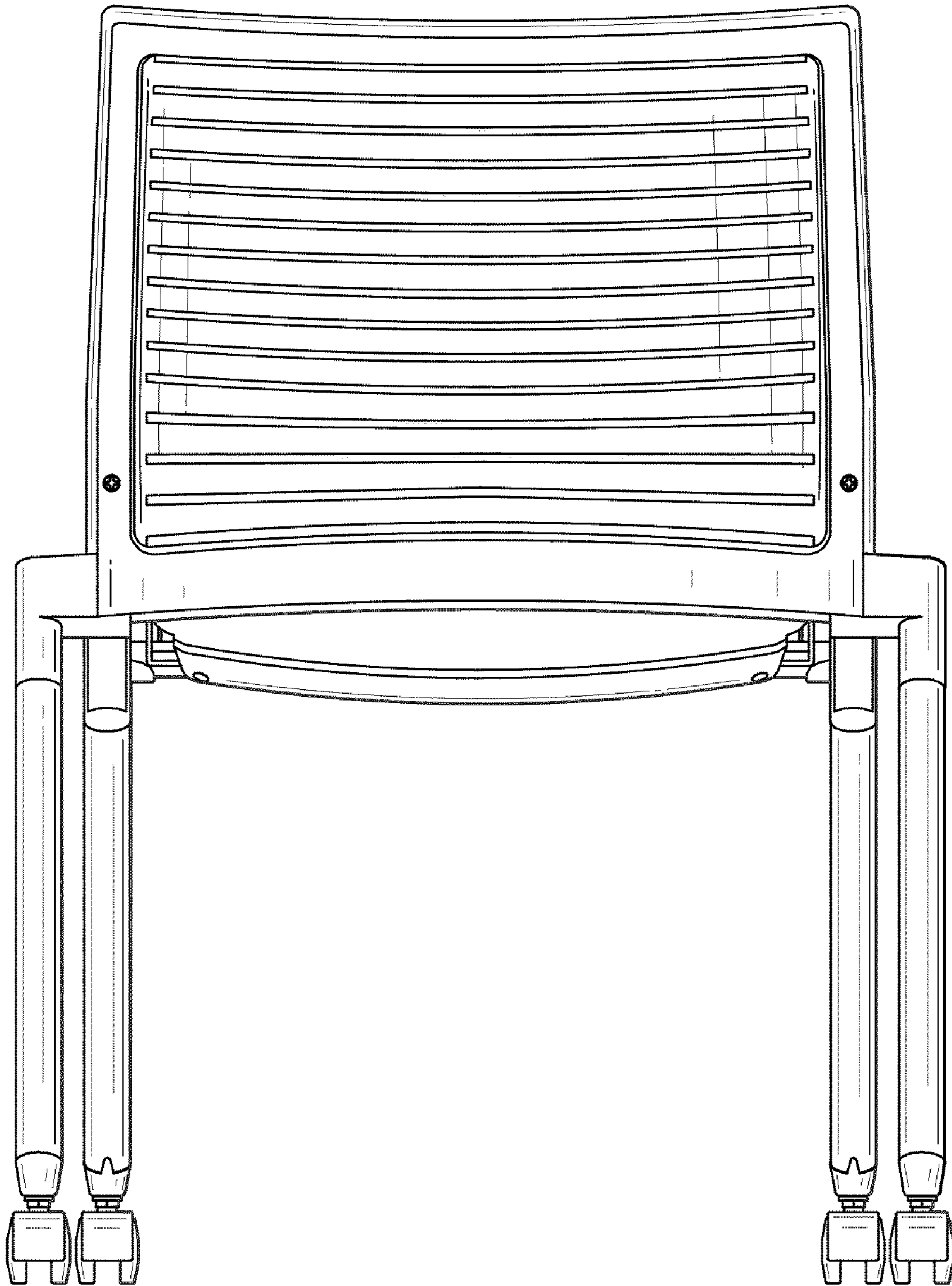


FIG. 3

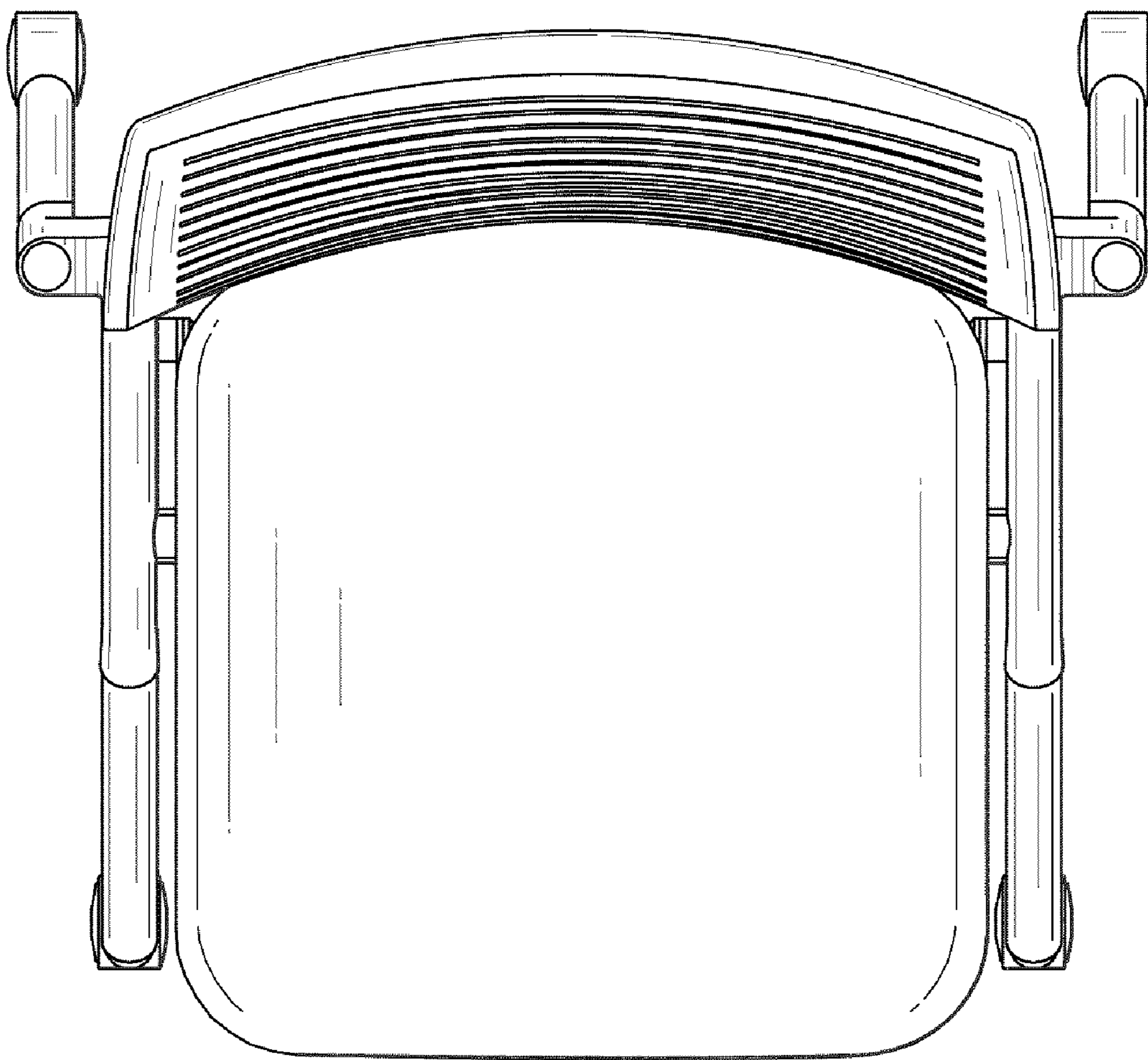


FIG. 4

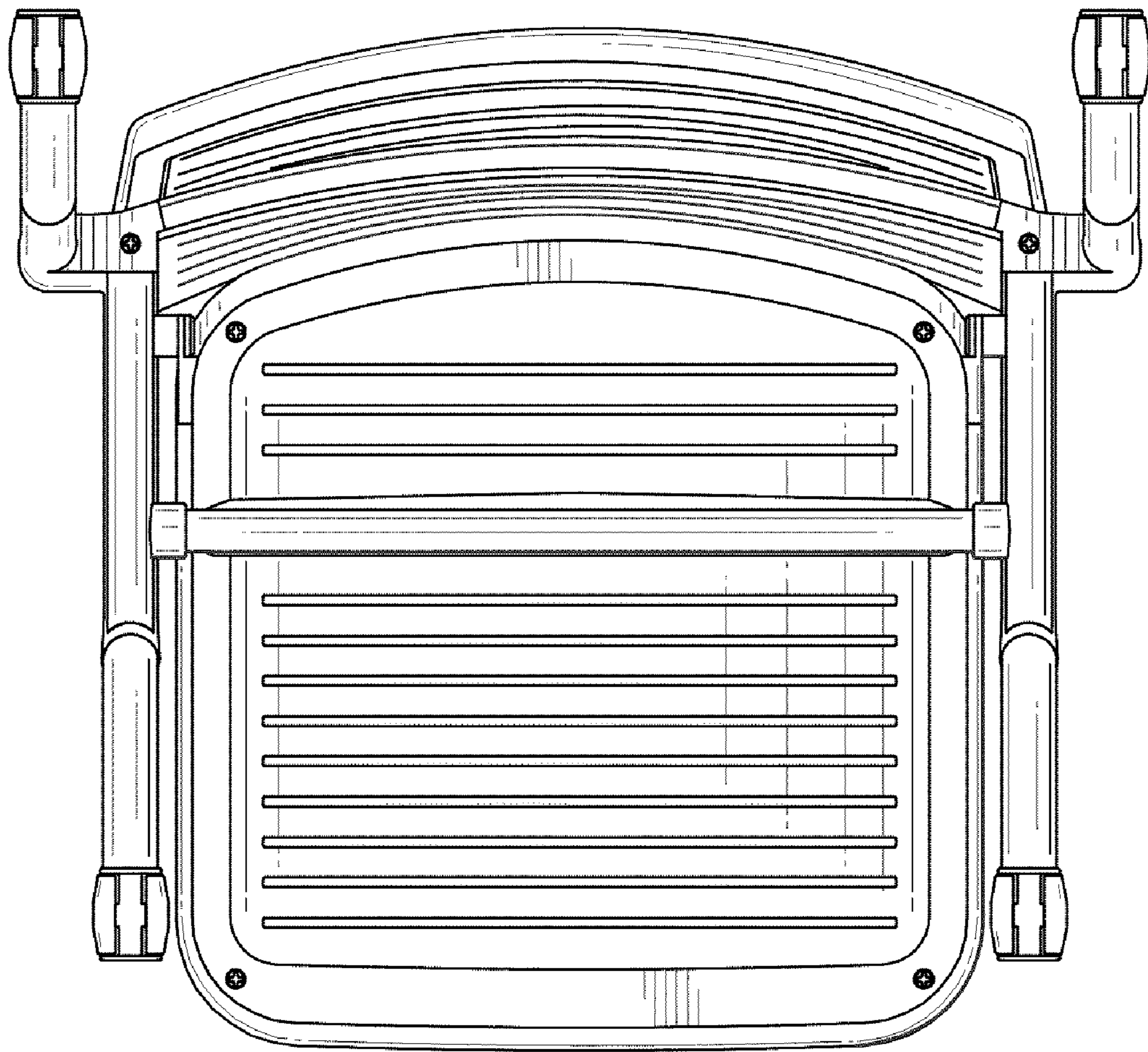


FIG. 5

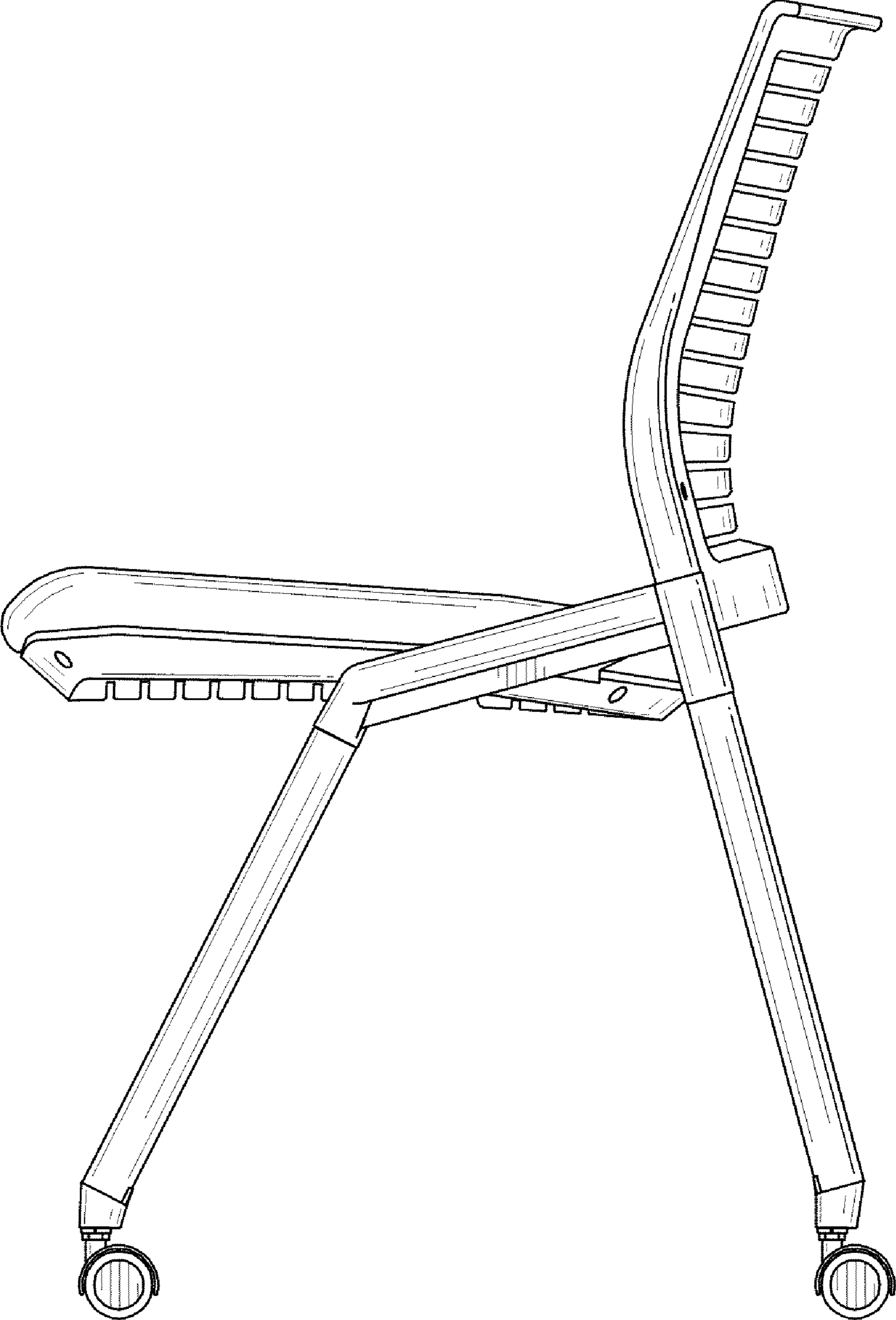


FIG. 6

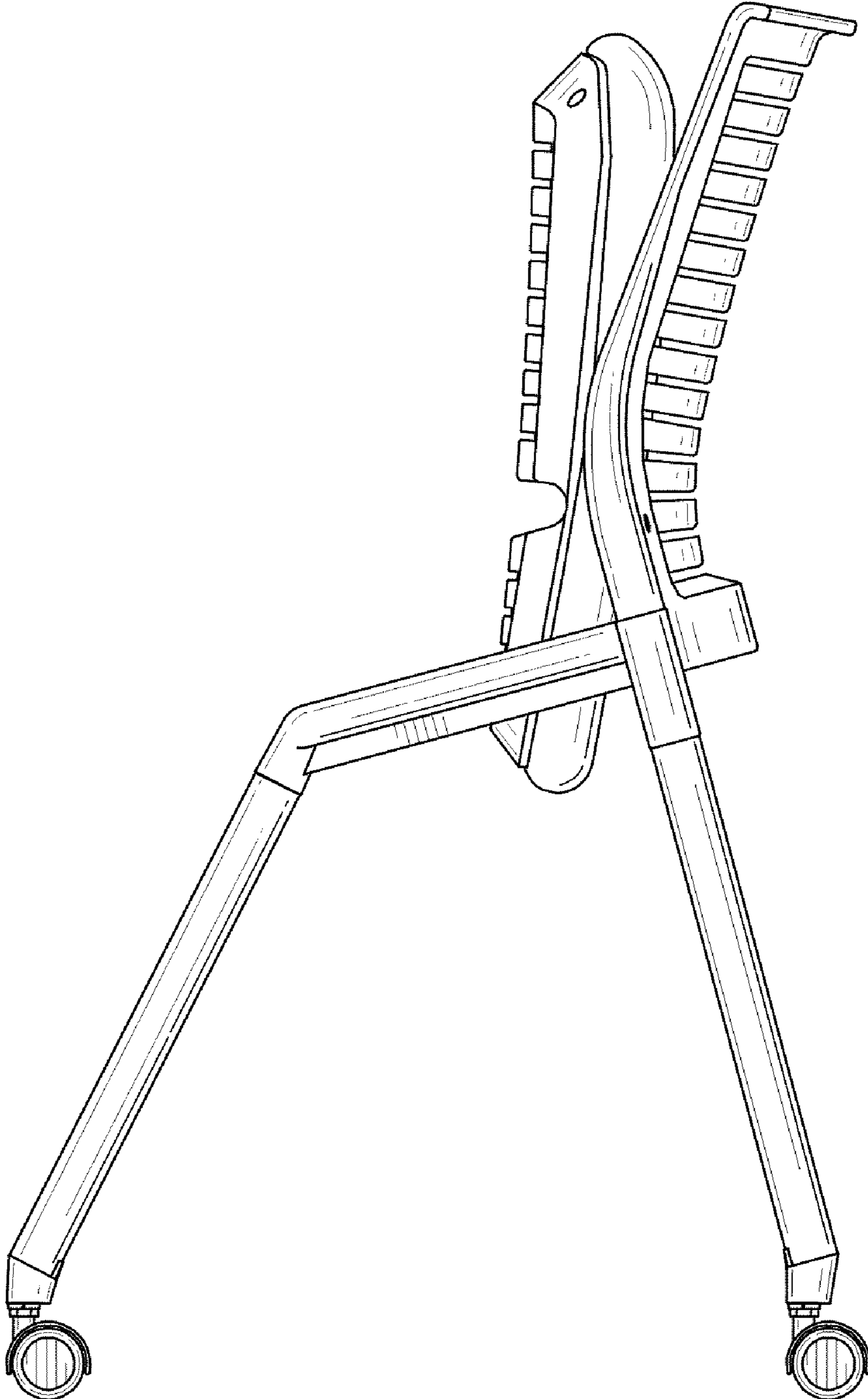


FIG. 7

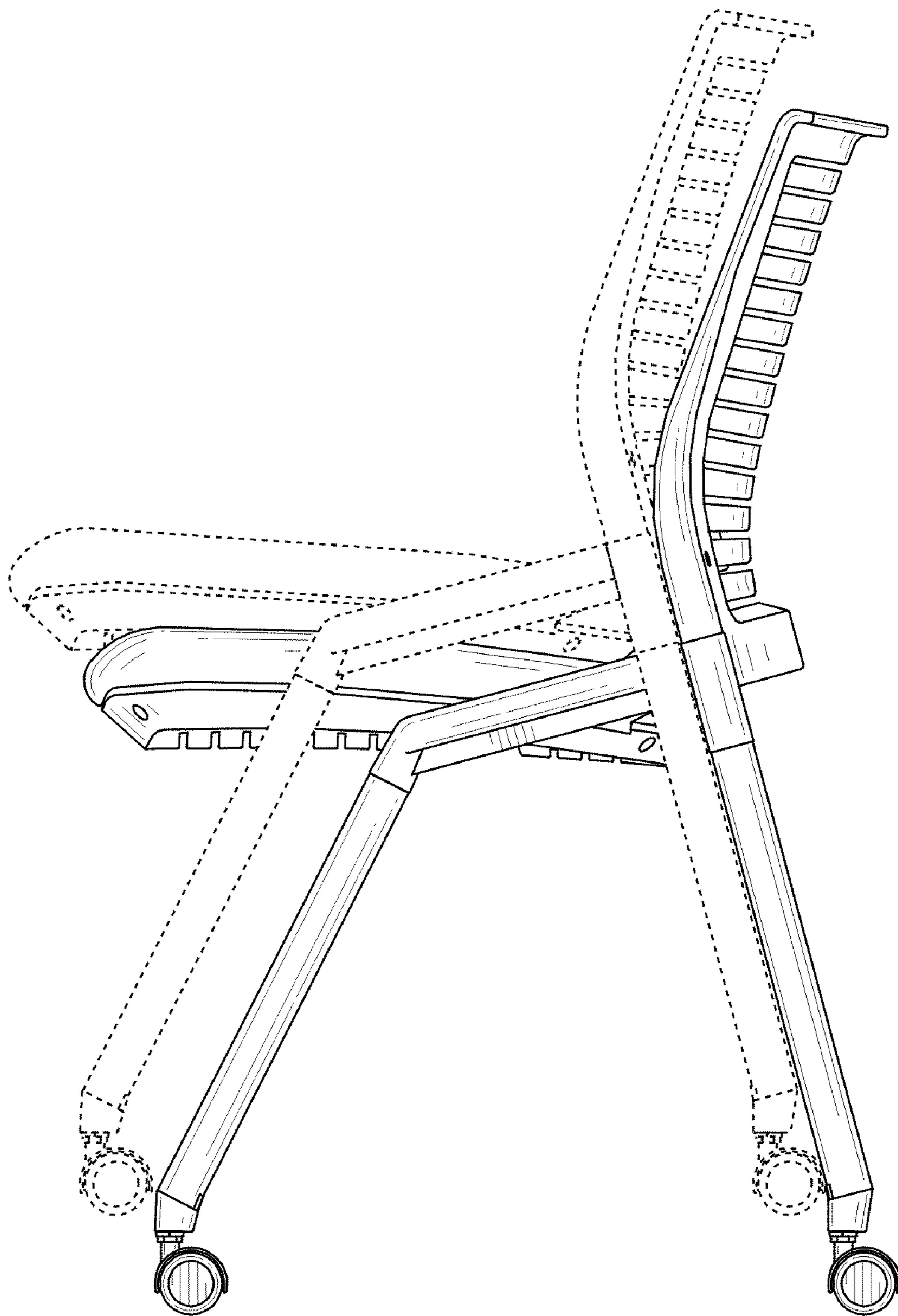


FIG. 8

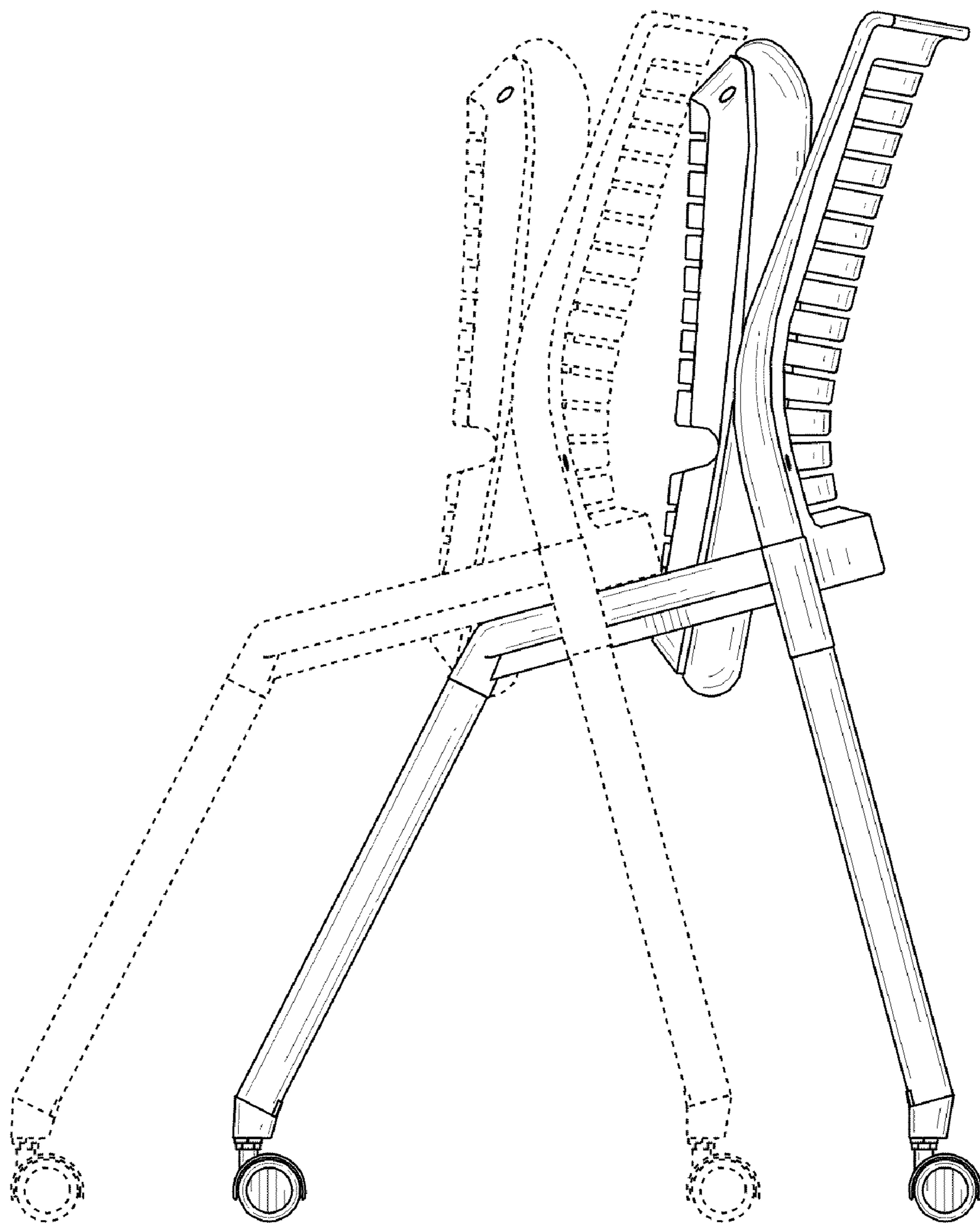


FIG. 9