



US00D594667S

(12) **United States Design Patent**  
**Wang**

(10) **Patent No.:** **US D594,667 S**  
(45) **Date of Patent:** **\*\* Jun. 23, 2009**

(54) **ADJUSTABLE HIGH CHAIR**

(76) Inventor: **Kun Wang**, P.O. Box 697, Fongyuan  
City, Taichung County (TW) 420

(\*\*) Term: **14 Years**

(21) Appl. No.: **29/300,406**

(22) Filed: **Mar. 24, 2008**

(51) **LOC (9) Cl.** ..... **06-01**

(52) **U.S. Cl.** ..... **D6/339**

(58) **Field of Classification Search** ..... D6/333,  
D6/335, 339, 491, 499-502; D12/129; D21/412,  
D21/416, 419; 280/30, 31; 5/93.1, 93.2,  
5/94, 98.1, 99.1, 101, 102, 655; 297/183.1,  
297/183.2, 183.3, 183.4, 184.14, 184.15,  
297/250.1, 255, 256.15, 256.16

See application file for complete search history.

(56) **References Cited**

**U.S. PATENT DOCUMENTS**

- D344,189 S \* 2/1994 Golenz et al. .... D6/339
- D364,968 S \* 12/1995 Chien ..... D6/339
- D386,911 S \* 12/1997 Perego ..... D6/339
- 5,951,102 A \* 9/1999 Poulson et al. .... 297/130
- D426,965 S \* 6/2000 Wu ..... D6/339

- 6,089,653 A \* 7/2000 Hotaling et al. .... 297/130
- D428,715 S \* 8/2000 Brevi ..... D6/339
- D451,434 S \* 12/2001 Hsia ..... D12/129
- D451,689 S \* 12/2001 Chen et al. .... D6/339
- D454,007 S \* 3/2002 Huang ..... D6/339
- 6,692,070 B1 \* 2/2004 Hou et al. .... 297/153
- D493,624 S \* 8/2004 Chen ..... D6/339

\* cited by examiner

*Primary Examiner*—Sandra Snapp

(57) **CLAIM**

The ornamental design for an adjustable high chair, as shown.

**DESCRIPTION**

FIG. 1 is a perspective view of an adjustable high chair showing my new design;

FIG. 2 is a right side elevational view thereof;

FIG. 3 is a top plan view thereof;

FIG. 4 is a front elevational view thereof;

FIG. 5 is a bottom plan view thereof;

FIG. 6 is a left side elevational view thereof; and,

FIG. 7 is a rear elevational view thereof.

**1 Claim, 7 Drawing Sheets**

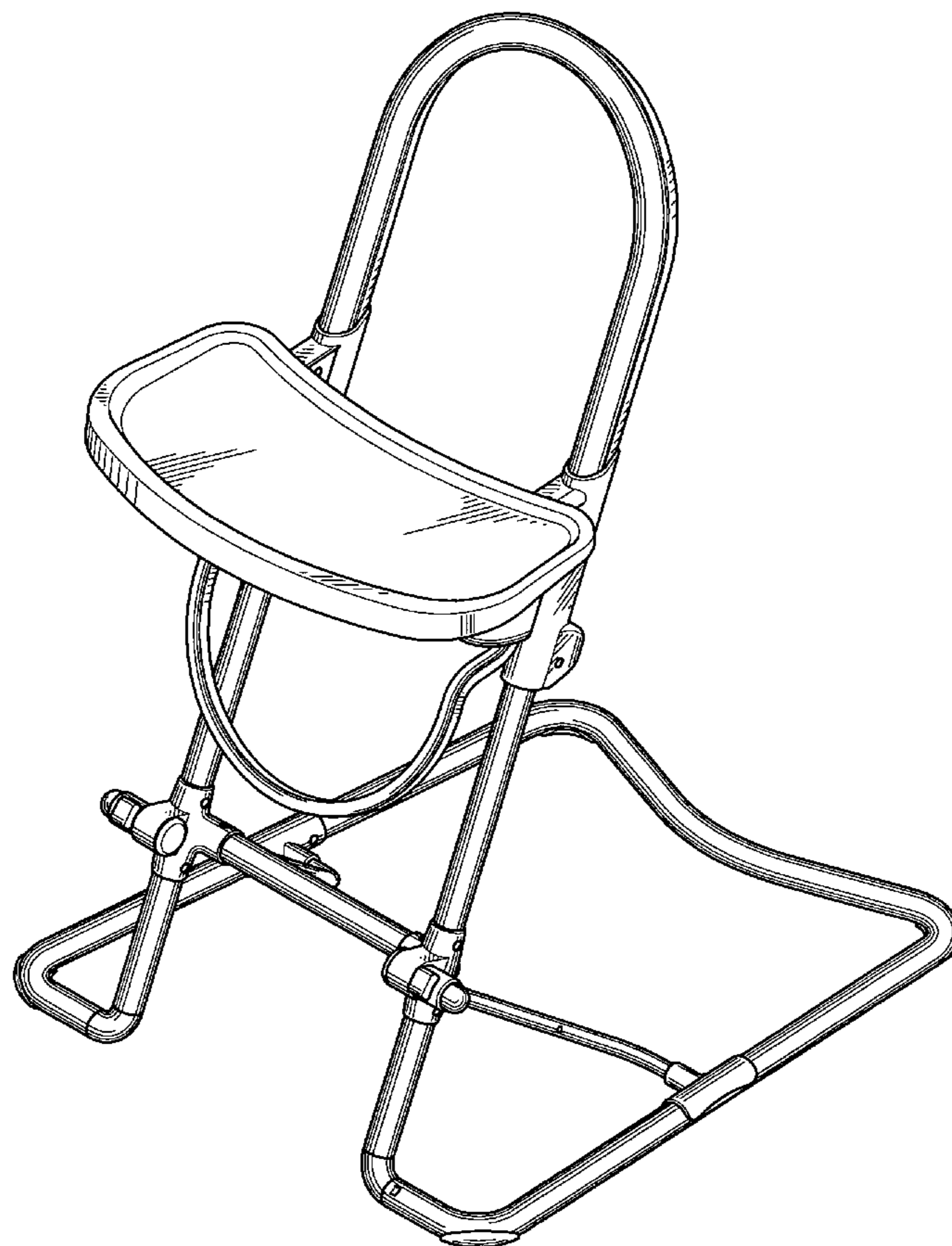




FIG. 1

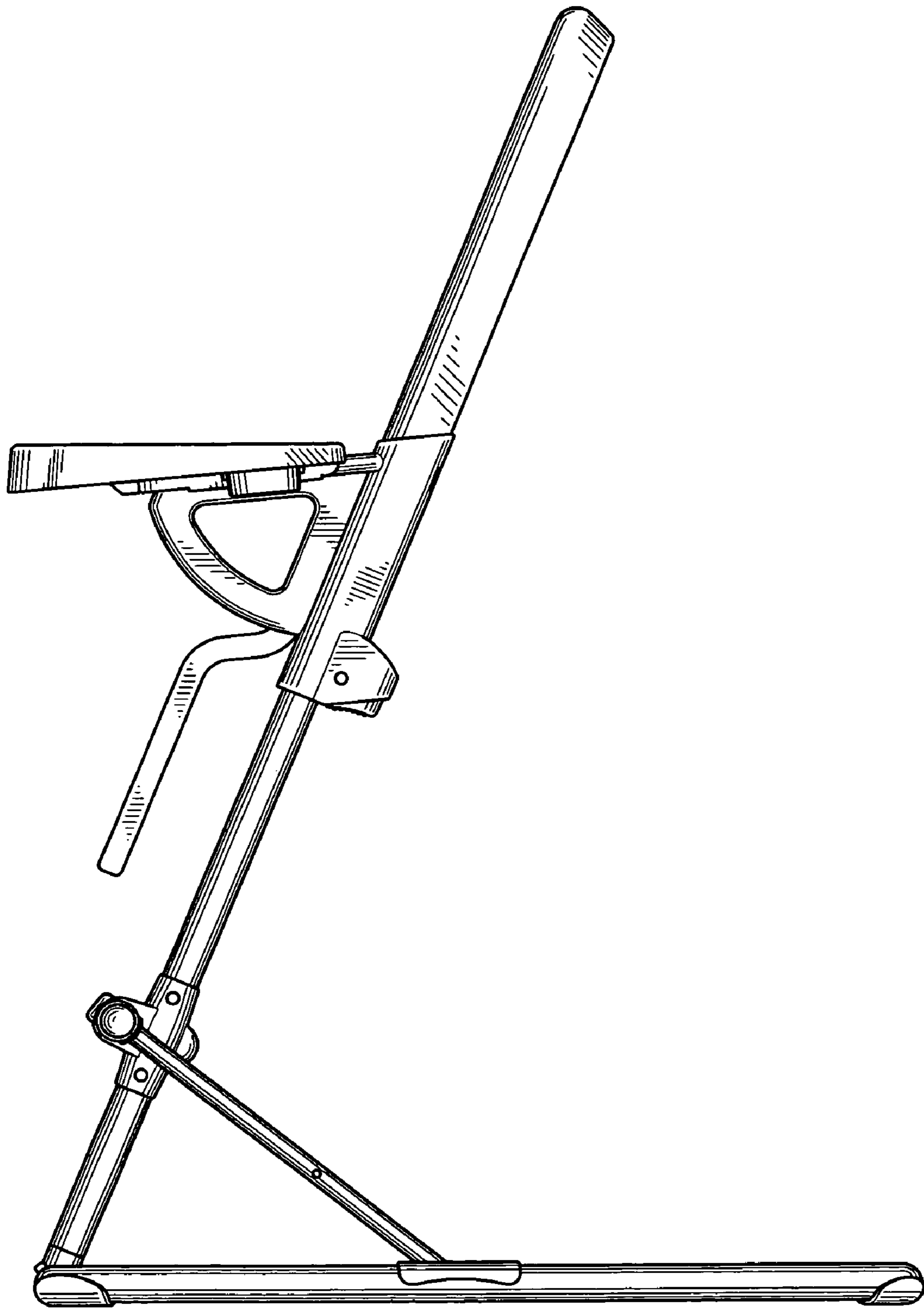


FIG. 2

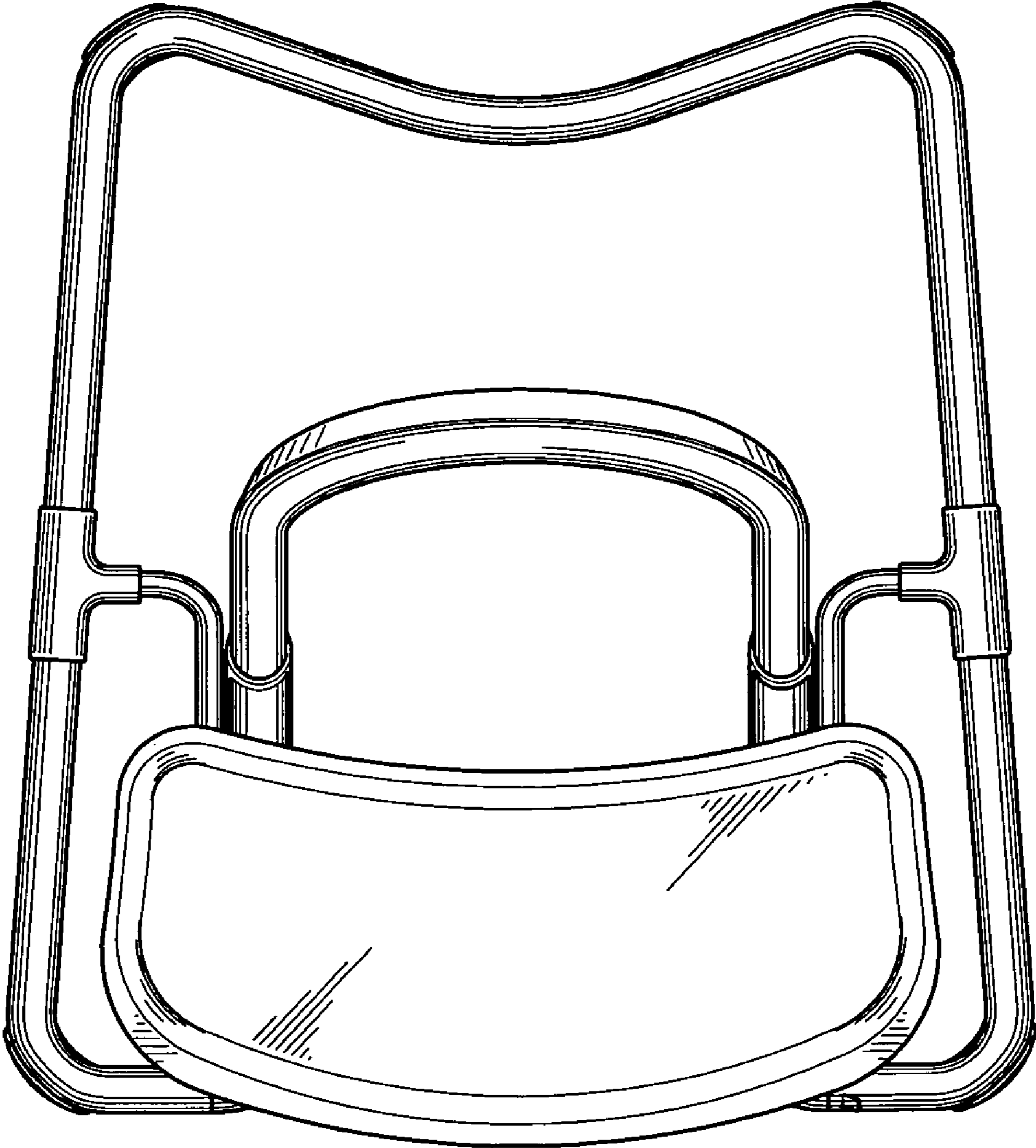


FIG. 3

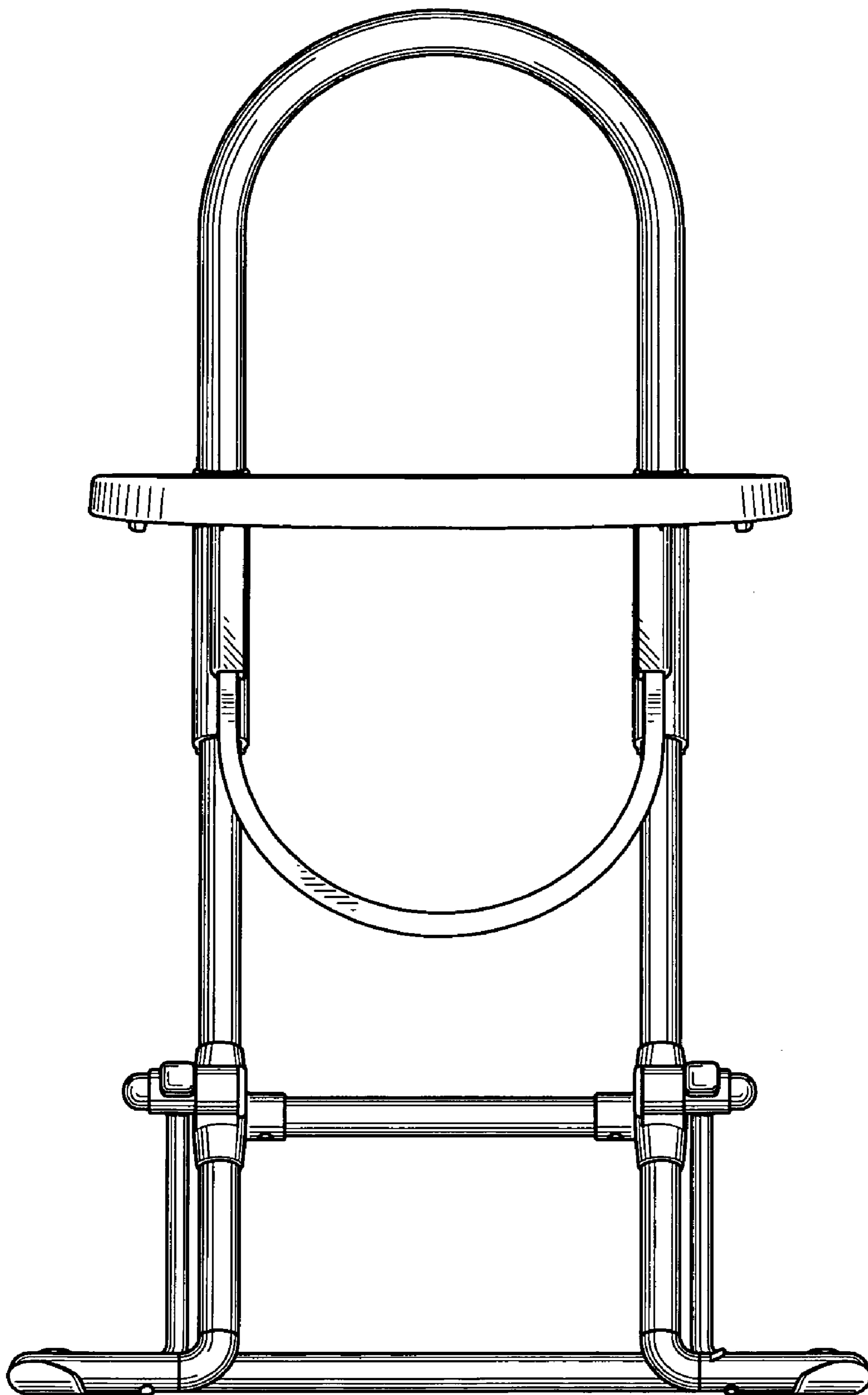


FIG.4

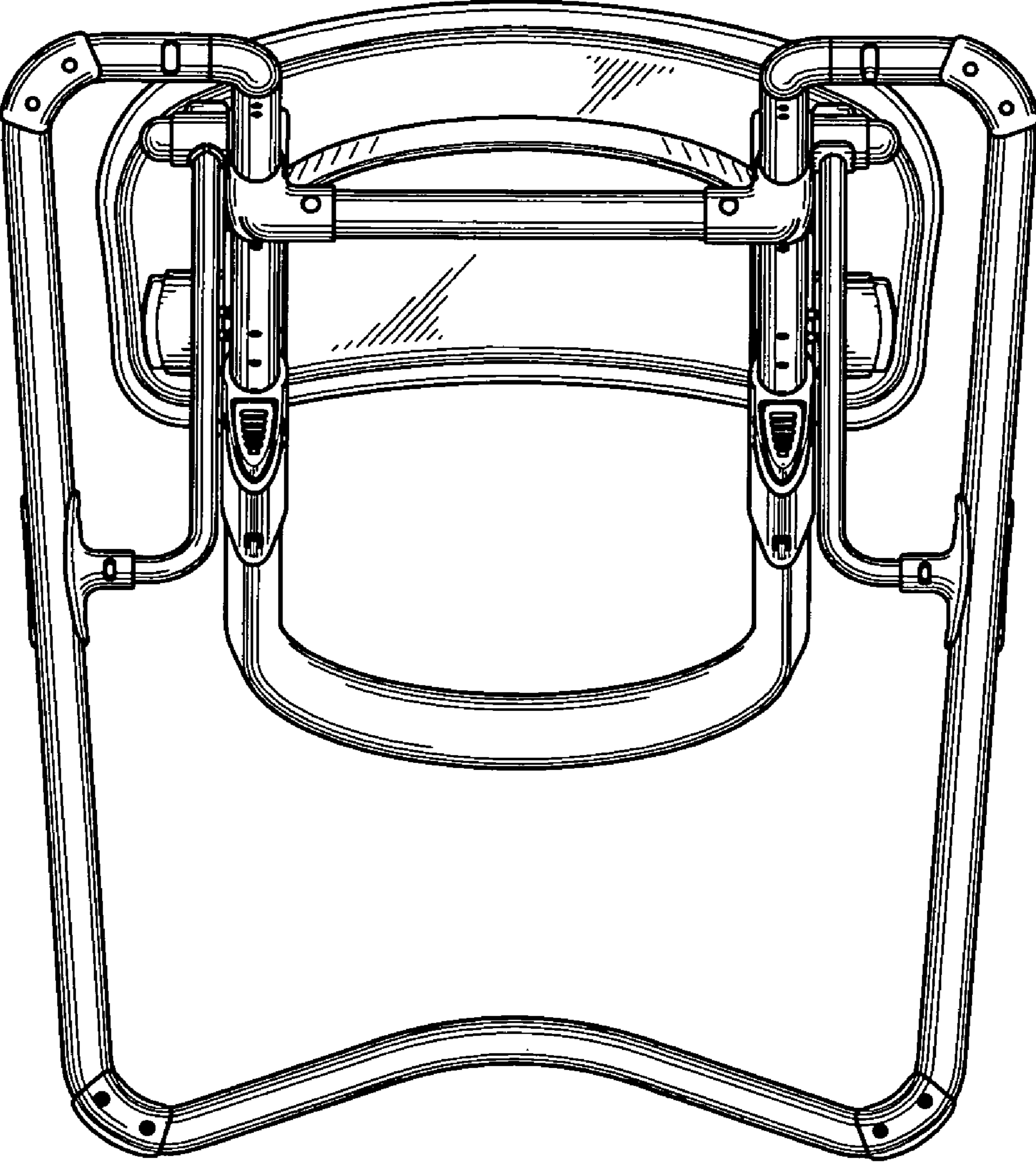


FIG. 5

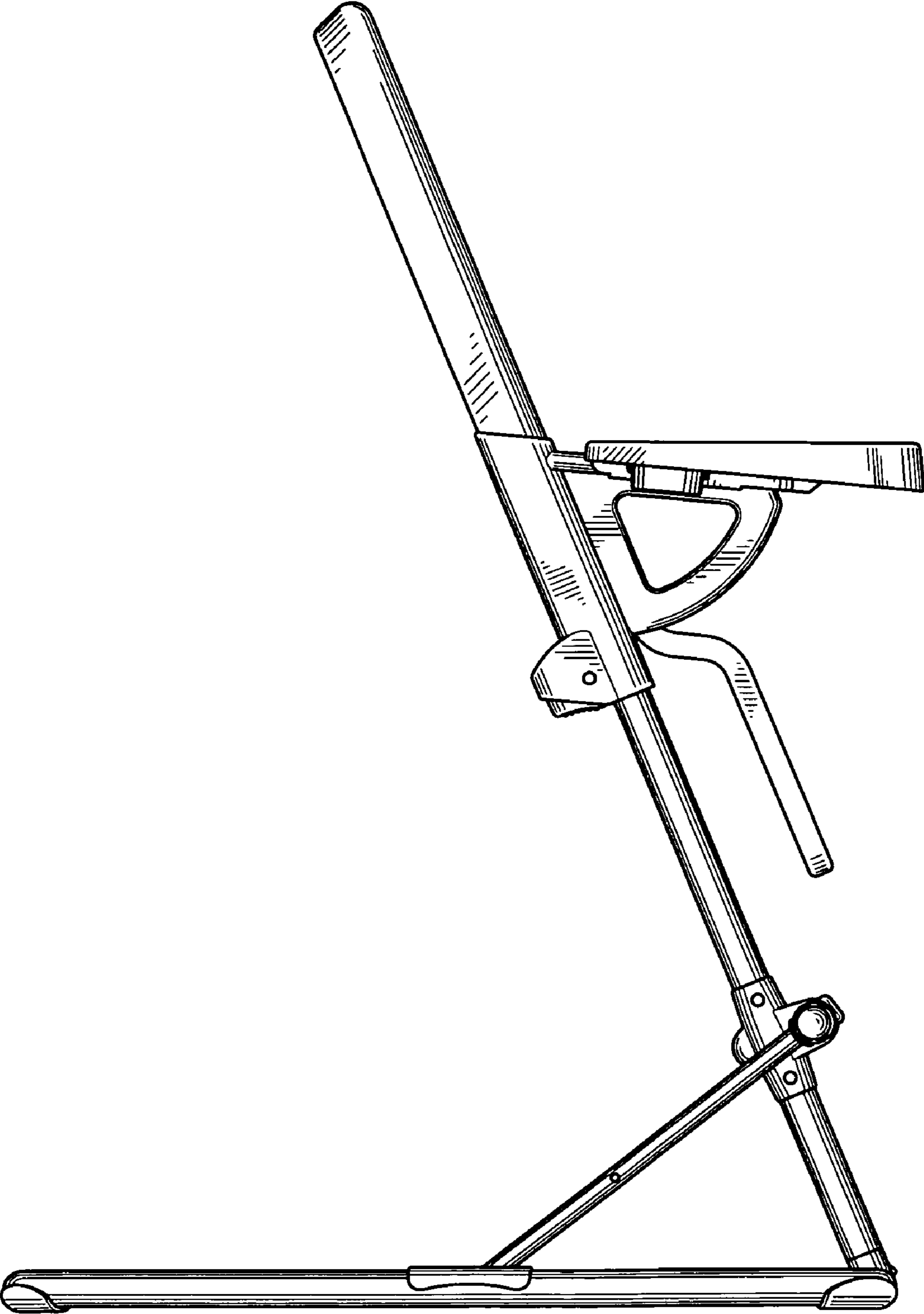


FIG. 6

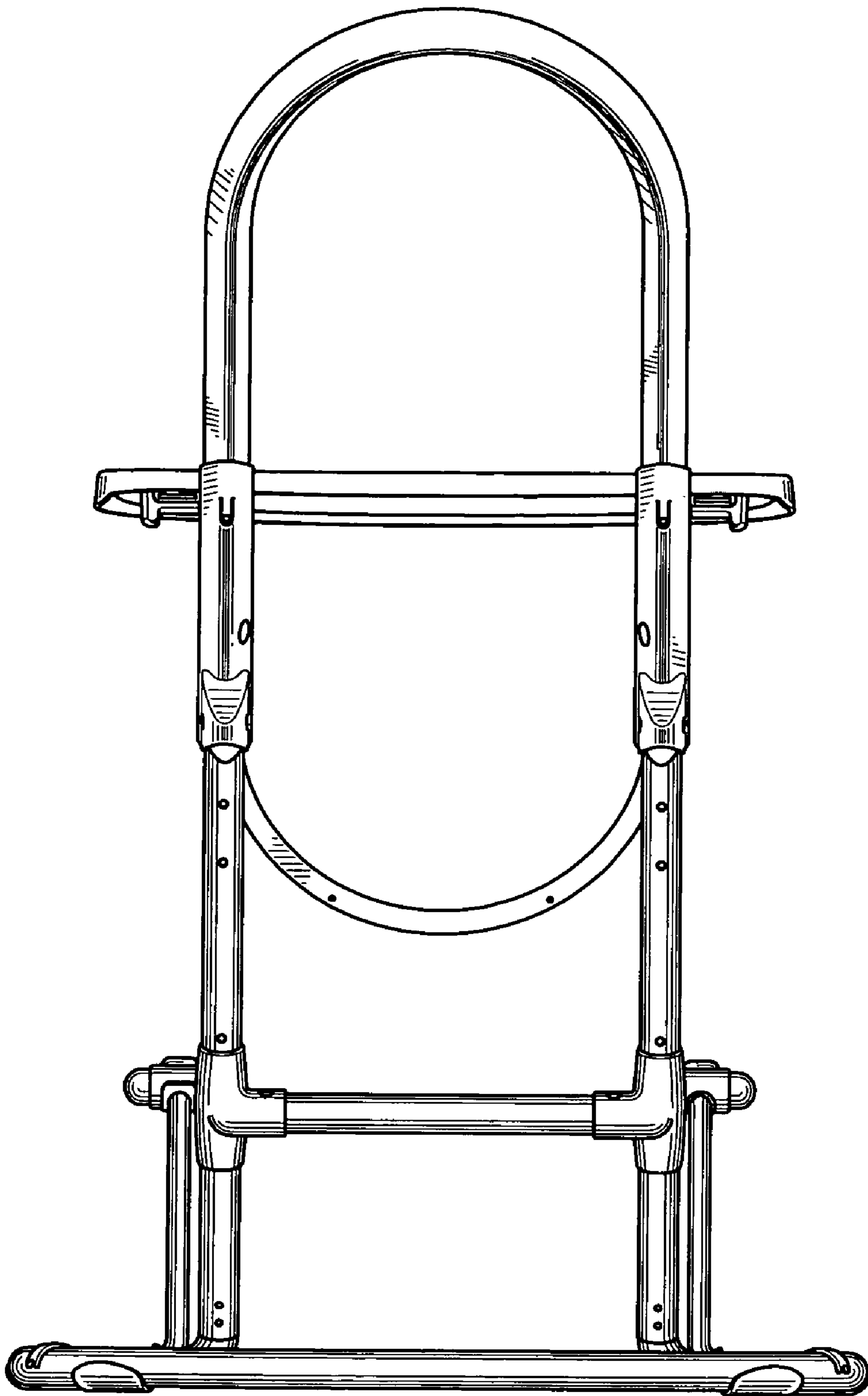


FIG. 7