



US00D594666S

(12) **United States Design Patent**
Chen

(10) **Patent No.:** **US D594,666 S**
(45) **Date of Patent:** **** Jun. 23, 2009**

(54) **DIGITAL PHOTO FRAME**

(75) Inventor: **Yi-Cheng Chen**, Sinjhuang (TW)

(73) Assignee: **Hannspree, Inc.** (TW)

(**) Term: **14 Years**

(21) Appl. No.: **29/309,523**

(22) Filed: **Aug. 27, 2008**

(51) **LOC (9) Cl.** **06-04**

(52) **U.S. Cl.** **D6/308; D20/42**

(58) **Field of Classification Search** D6/468,
D6/300-314, 462, 465; D20/42, 41; 40/700,
40/570, 617, 607.09

See application file for complete search history.

(56) **References Cited**

U.S. PATENT DOCUMENTS

D76,456 S *	10/1928	Brenner et al.	D20/41
D103,045 S *	2/1937	Ellis	D20/42
D267,659 S *	1/1983	Samuels, Jr.	D20/42
D326,786 S *	6/1992	McLeod	D6/468
5,502,910 A *	4/1996	Lucchesi	40/607.06

D441,222 S *	5/2001	Higazy	D6/462
D472,277 S *	3/2003	Beghelli	D20/42
2007/0209259 A1 *	9/2007	Pavlik et al.	40/607.09

* cited by examiner

Primary Examiner—Caron Veynar

Assistant Examiner—Sydney R Buffalow

(74) *Attorney, Agent, or Firm*—Bacon & Thomas, PLLC

(57) **CLAIM**

The ornamental design for a digital photo frame, as shown.

DESCRIPTION

FIG. 1 is a perspective view of a digital photo frame showing my new design;

FIG. 2 is a front elevational view thereof;

FIG. 3 is a rear elevational view thereof;

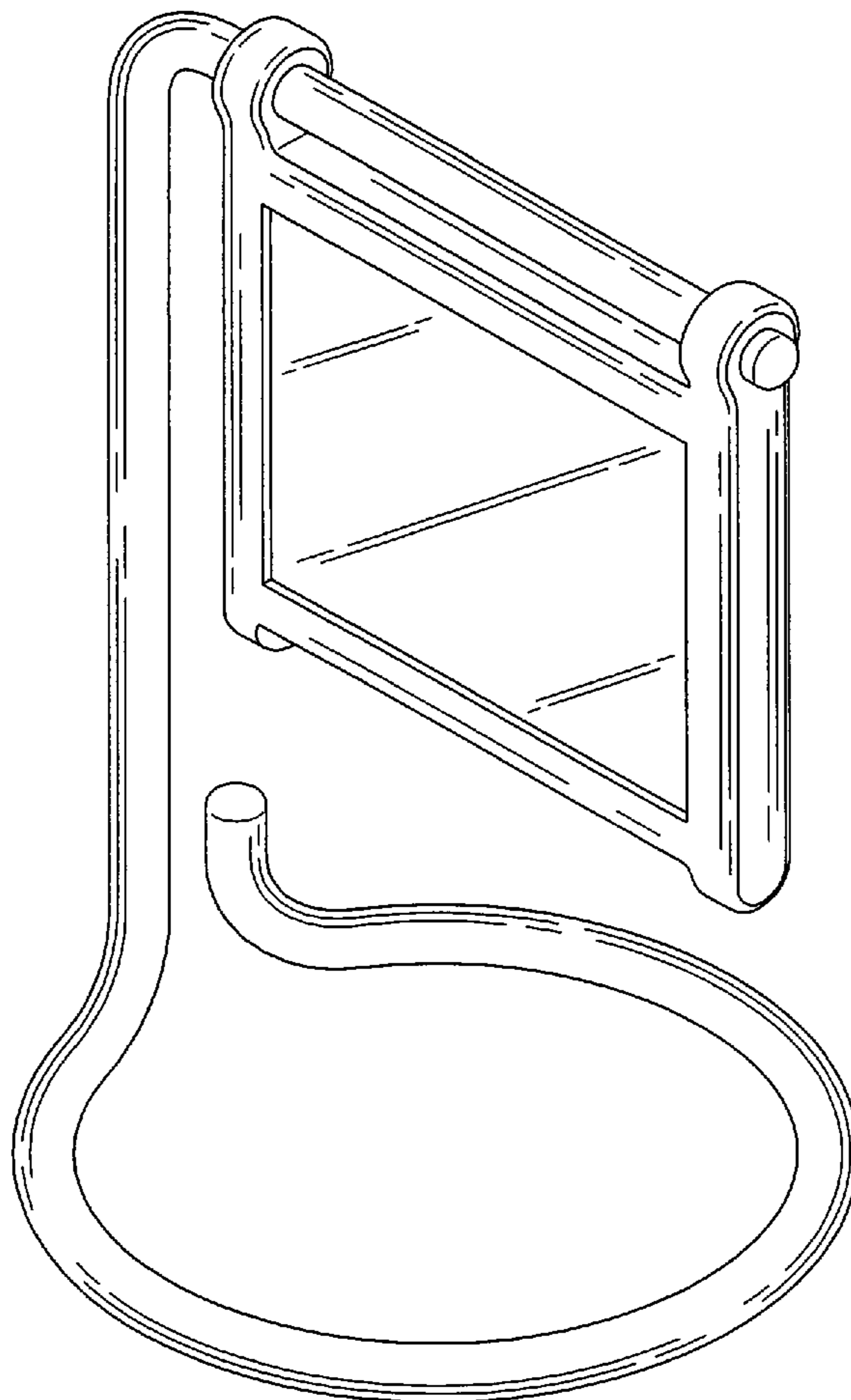
FIG. 4 is a left side elevational view thereof;

FIG. 5 is a right side elevational view thereof;

FIG. 6 is a top plan view thereof; and,

FIG. 7 is a bottom plan view thereof.

1 Claim, 7 Drawing Sheets



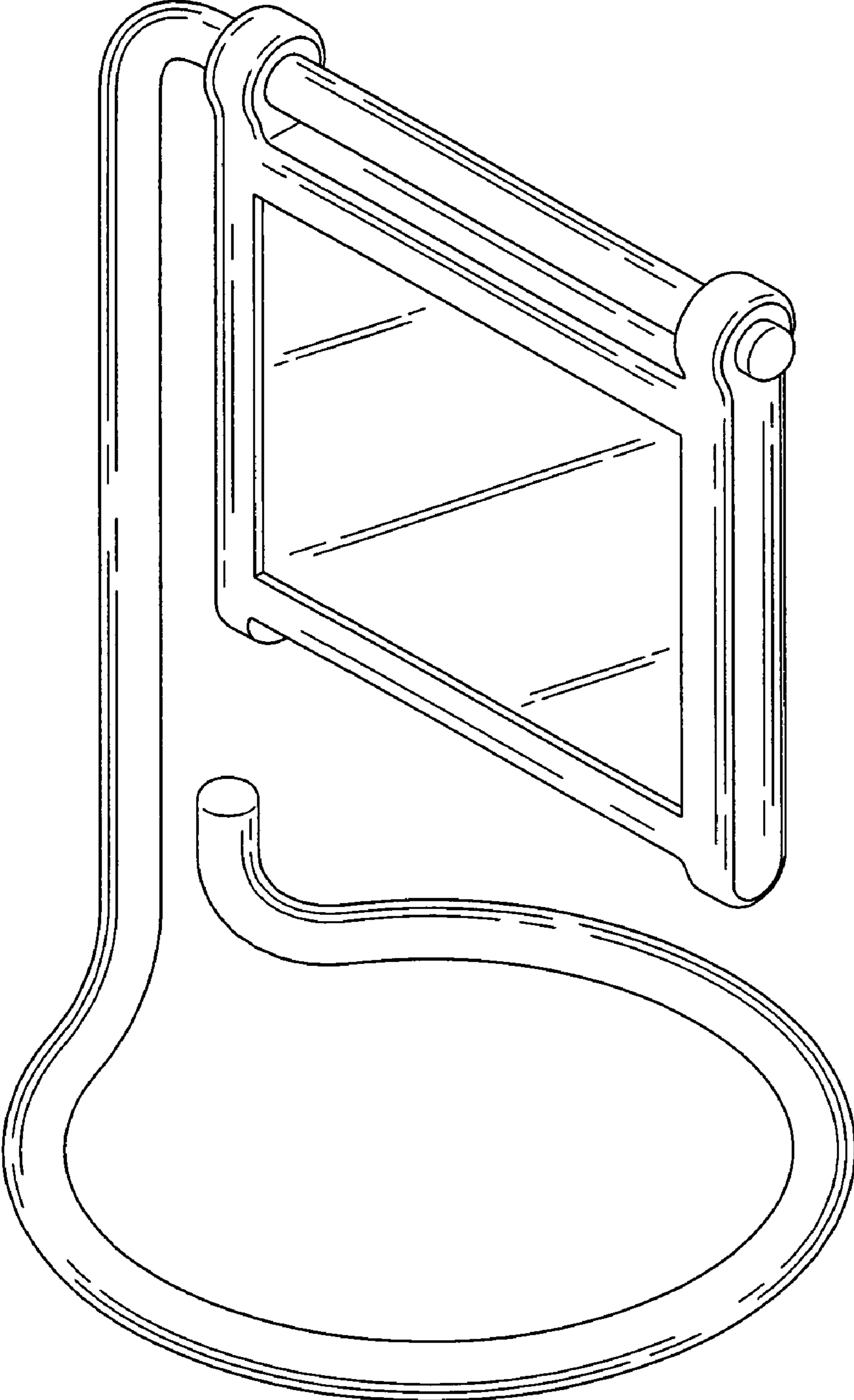


FIG. 1

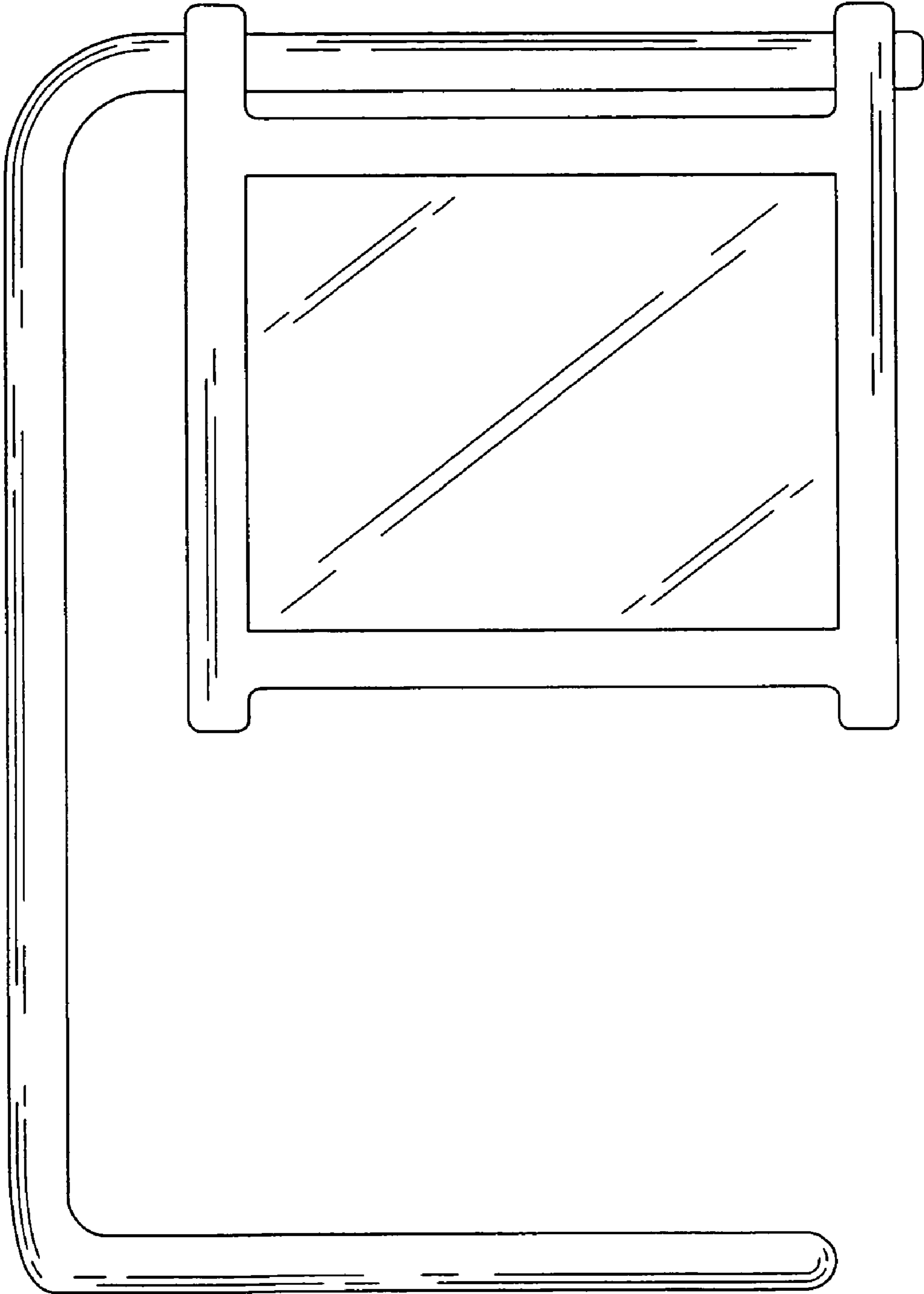


FIG. 2

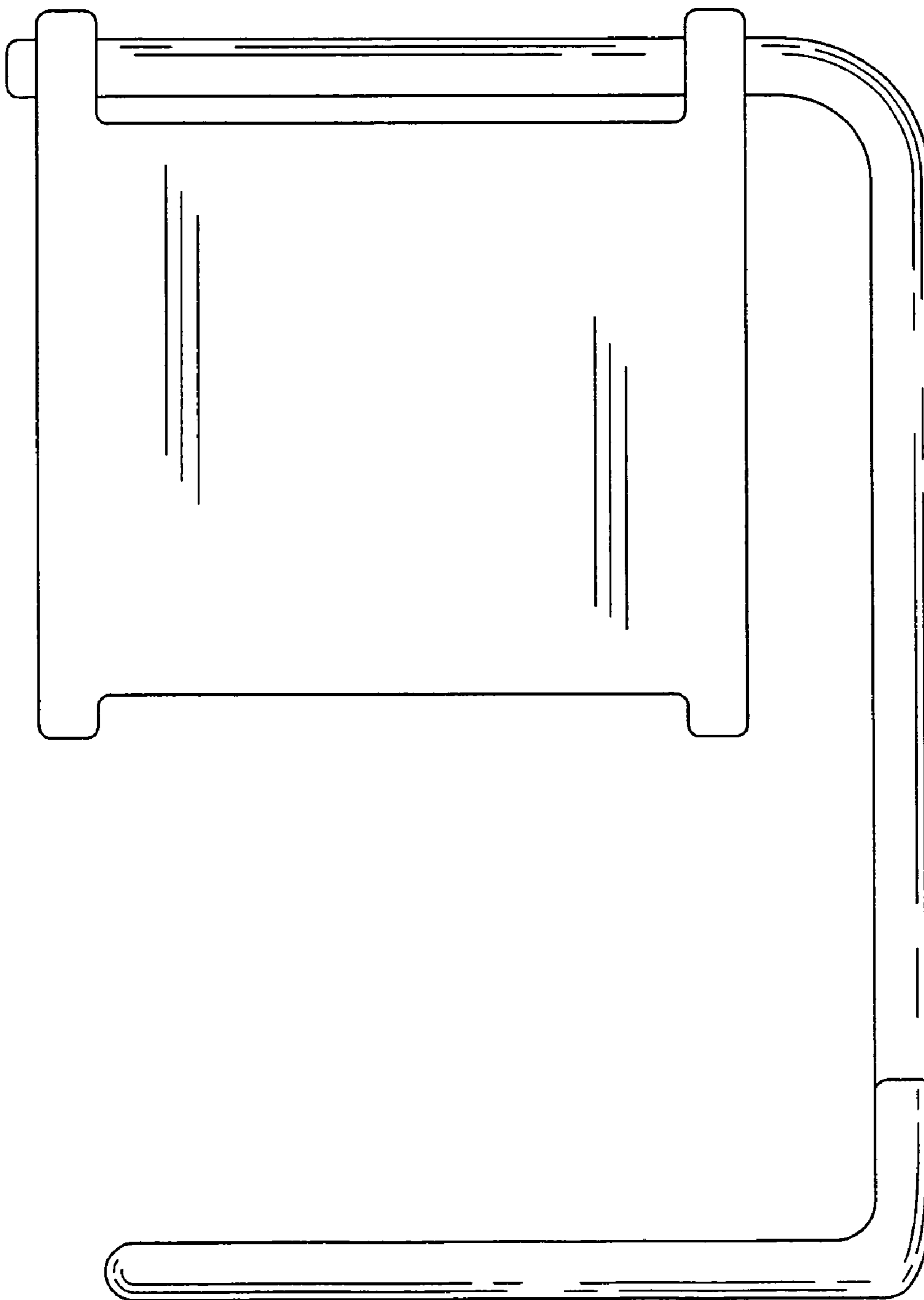


FIG. 3

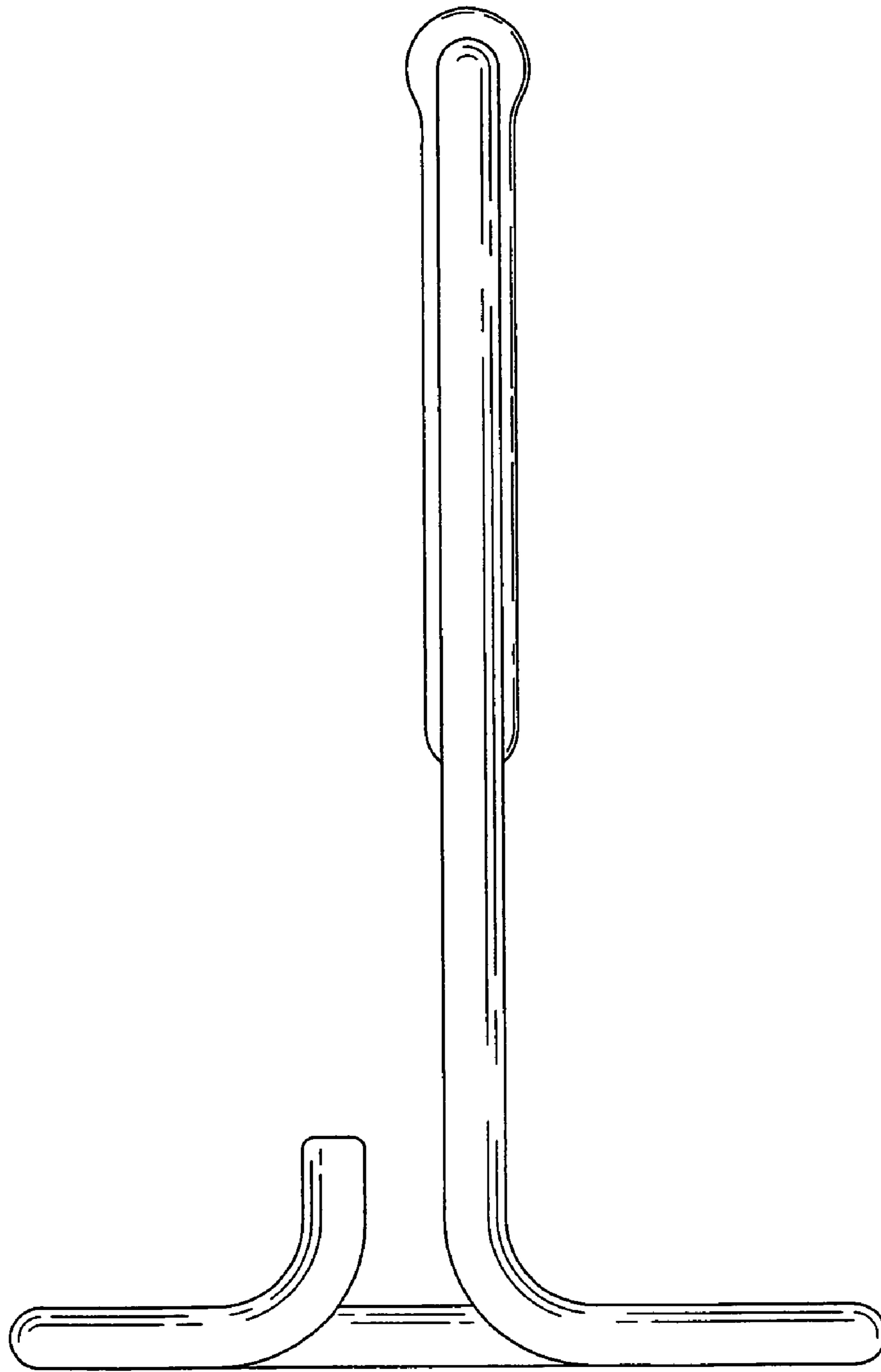


FIG. 4

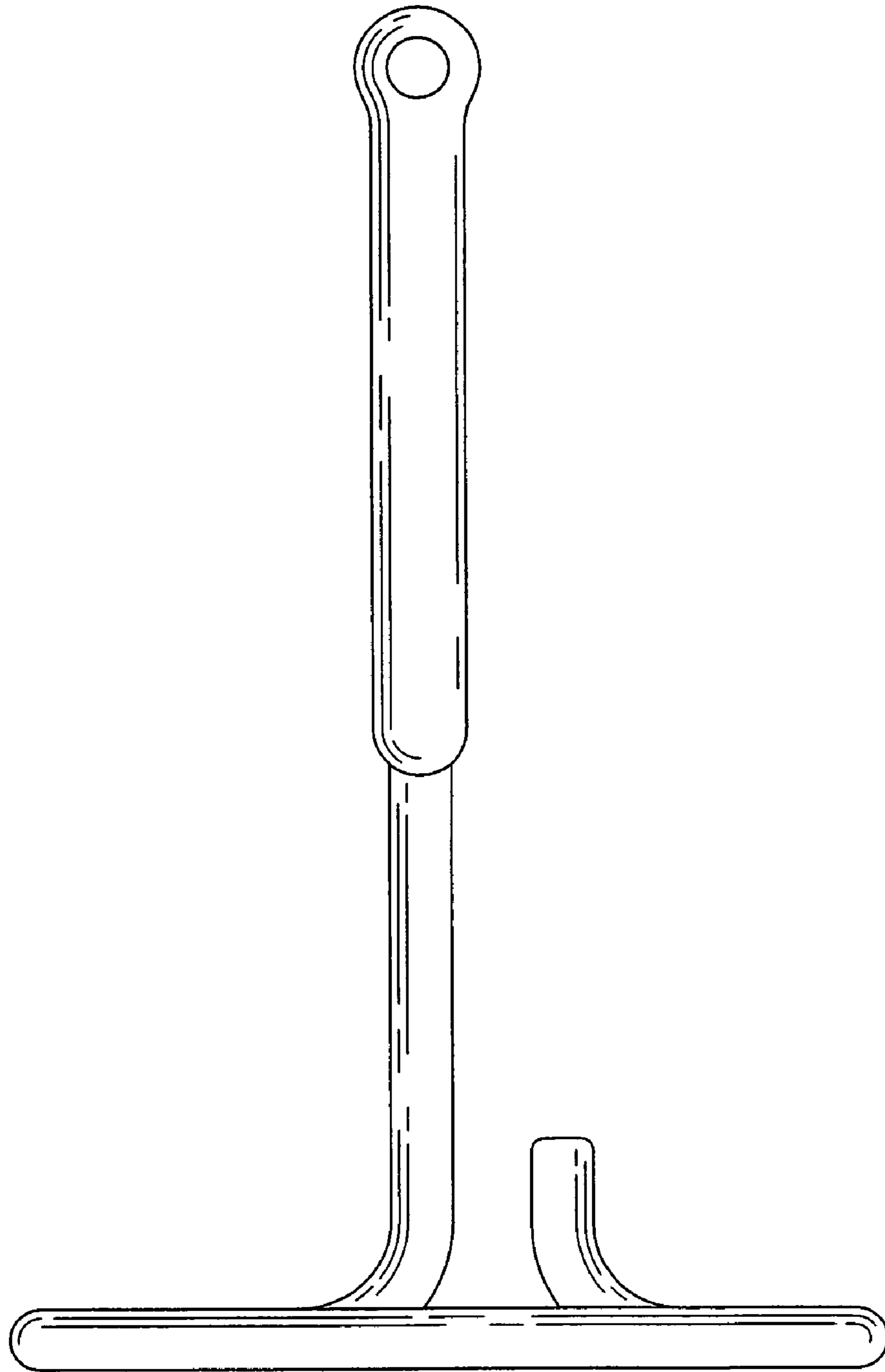


FIG. 5

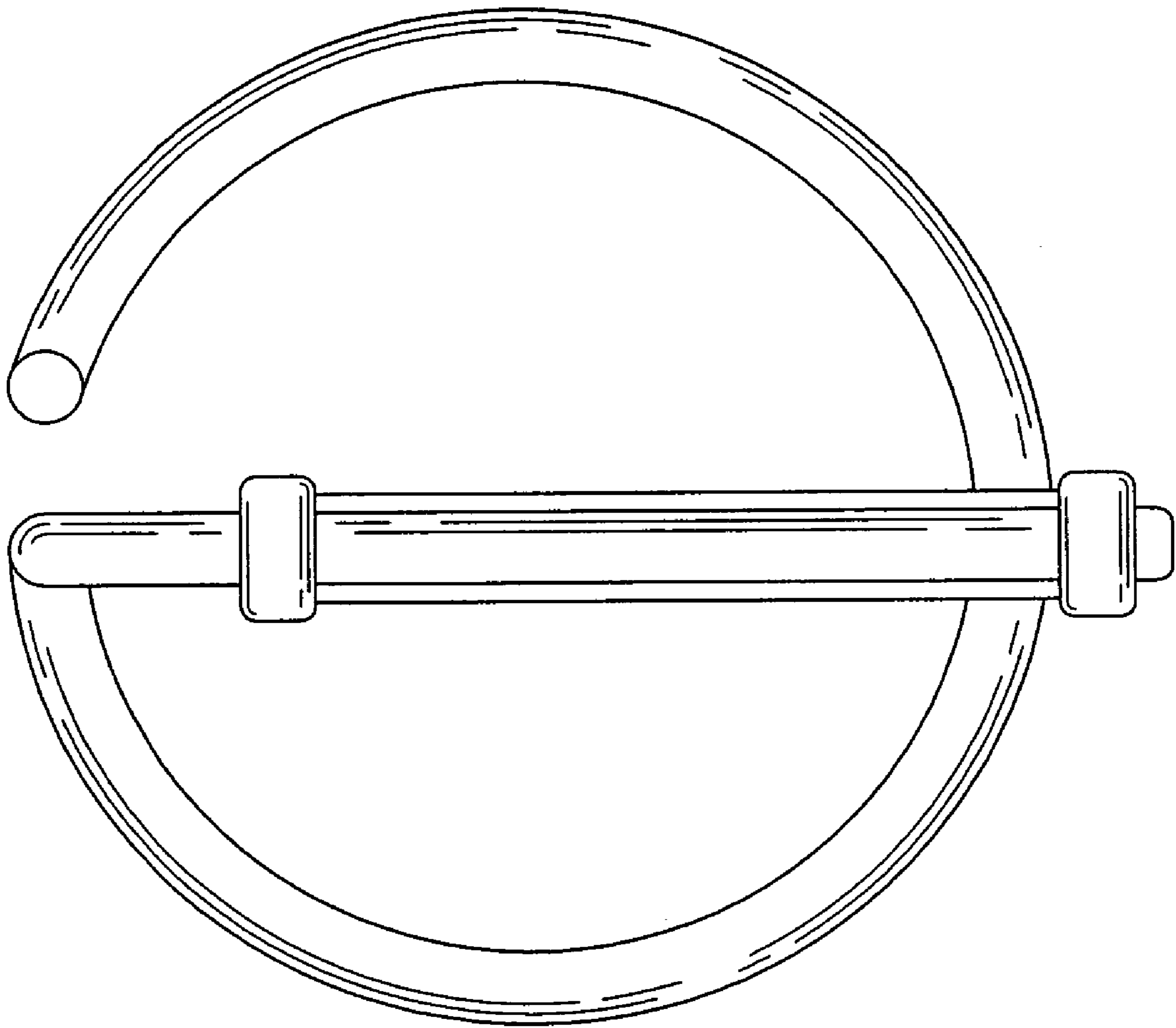


FIG. 6

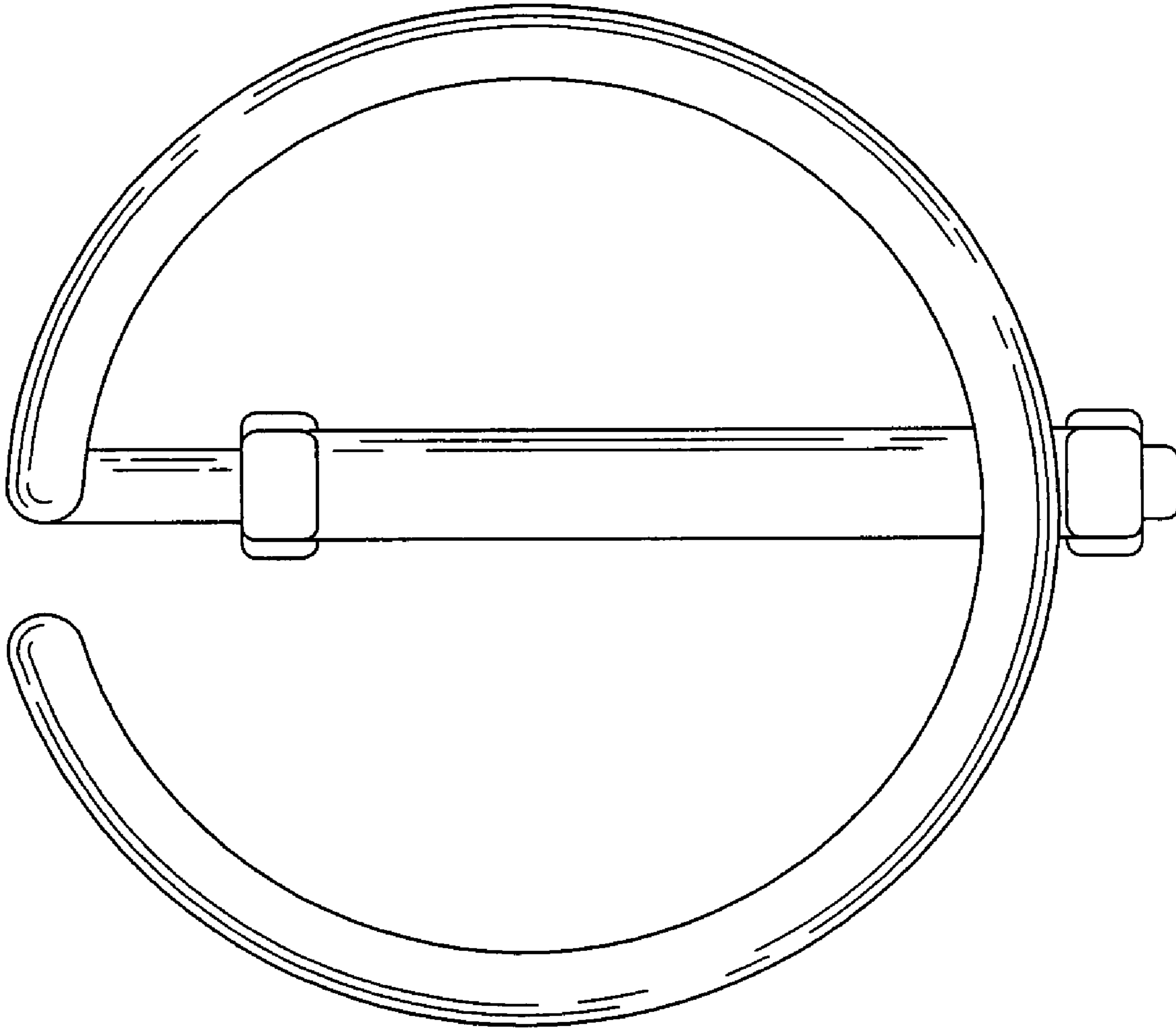


FIG. 7