



US00D594663S

(12) **United States Design Patent**  
**Vandenberg**

(10) **Patent No.:** **US D594,663 S**  
(45) **Date of Patent:** **\*\* \*Jun. 23, 2009**

(54) **RETROREFLECTIVE ARTICLE**  
(75) Inventor: **John L. Vandenberg**, Maplewood, MN  
(US)  
(73) Assignee: **3M Innovative Properties Company**,  
St. Paul, MN (US)

JP D1234569 3/2005  
JP D1258483 12/2005  
TW 268761 8/1974  
TW 223526 8/1982  
WO WO 2000/72055 11/2000

(\* ) Notice: This patent is subject to a terminal disclaimer.  
(\*\* ) Term: **14 Years**  
(21) Appl. No.: **29/248,187**  
(22) Filed: **Aug. 2, 2006**

OTHER PUBLICATIONS  
U.S. Appl. No. 29/248,186, entitled "Retroreflective Article", filed Aug. 2, 2006.  
*Primary Examiner*—Holly H Baynham  
*Assistant Examiner*—Sheryl Lane  
(74) *Attorney, Agent, or Firm*—Nicole J. Einerson

(51) **LOC (9) Cl.** ..... **05-02**  
(52) **U.S. Cl.** ..... **D5/63**  
(58) **Field of Classification Search** ..... D5/7,  
D5/20, 30, 37, 43, 47, 50, 52, 53, 55, 56,  
D5/58, 59, 60, 61, 62, 63, 64, 66, 40; D6/595,  
D6/608, 613, 616, 617, 622; 428/17, 542.2,  
428/151, 154, 582–583  
See application file for complete search history.

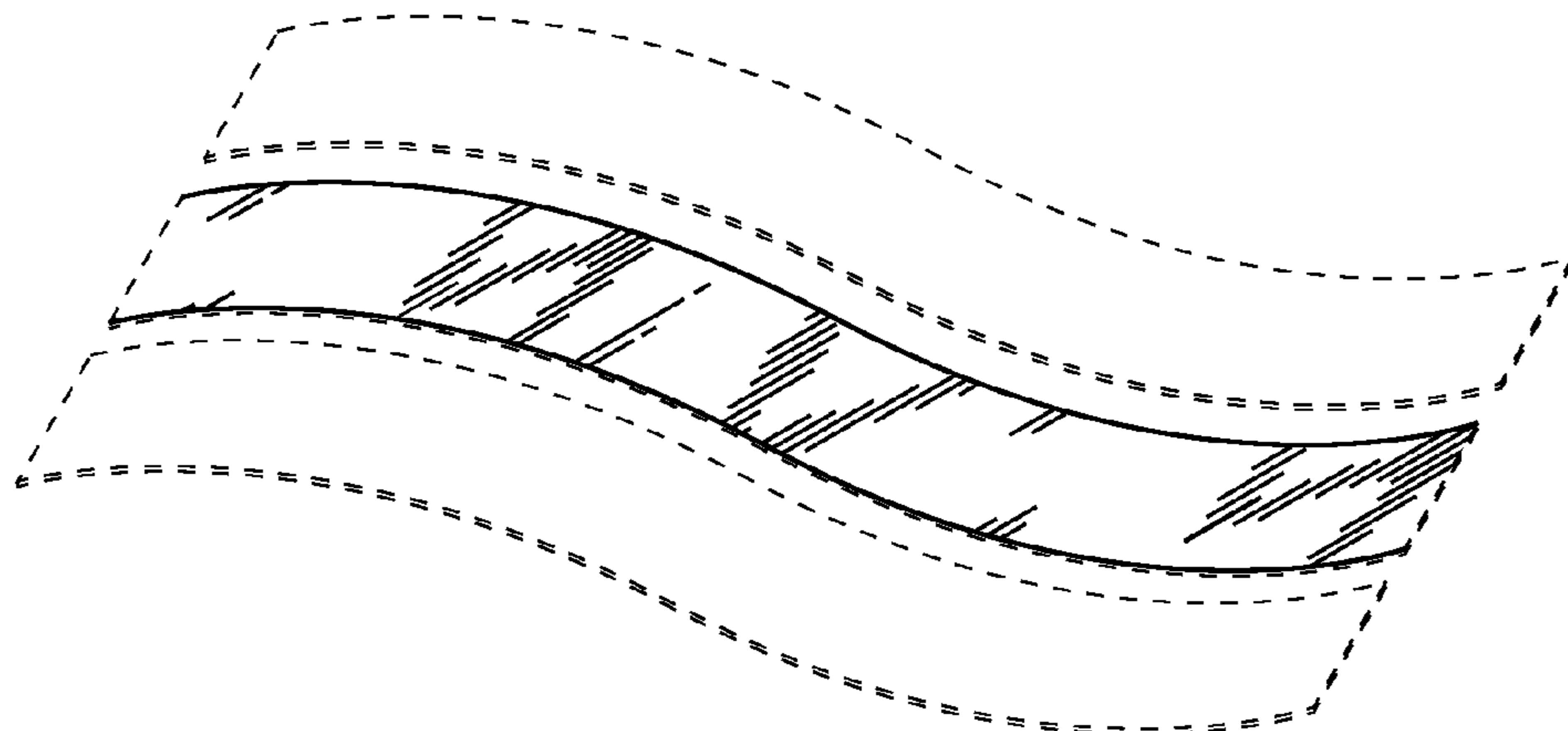
(57) **CLAIM**  
The ornamental design for a retroreflective article, as shown and described.

(56) **References Cited**  
U.S. PATENT DOCUMENTS  
3,684,348 A \* 8/1972 Rowland ..... 359/530  
D226,785 S 4/1973 Nagel  
3,934,065 A \* 1/1976 Tung ..... 428/76  
3,936,567 A 2/1976 Vesely  
D245,196 S 7/1977 Schroeder  
D246,161 S 10/1977 Linder  
D246,162 S 10/1977 Linder  
4,085,314 A 4/1978 Schultz et al.  
4,202,600 A 5/1980 Burke et al.  
D256,062 S 7/1980 Joachim et al.  
D256,063 S 7/1980 Burg  
D256,286 S 8/1980 Joachim et al.  
D257,295 S 10/1980 Joachim et al.

**DESCRIPTION**  
FIG. 1 is a perspective view of a retroreflective article, showing the new design.  
FIG. 2 is a top plan view thereof;  
FIG. 3 is a bottom plan view thereof;  
FIG. 4 is a front elevational view thereof, the rear elevational view being the same as the front elevational view; and,  
FIG. 5 is a left side elevational view thereof, the right side elevational view being the same as the right side elevational view.  
In the drawings, the broken lines at the ends of the retroreflective article generally indicate boundaries of the claimed design, and the broken lines at the bottom of the retroreflective article indicate that a specific thickness forms no part of the claimed design. The broken line representation of two additional retroreflective articles is for purposes of illustrating the design as one of a plurality of retroreflective articles. None of the broken lines form a part of the claimed design.  
The shading shown in FIGS. 1 and 2 is provided only to illustrate that the top surface is retroreflective. It is not indicative of texture or other surface artifacts.

(Continued)  
FOREIGN PATENT DOCUMENTS  
FR 2213377 8/1974

**1 Claim, 1 Drawing Sheet**



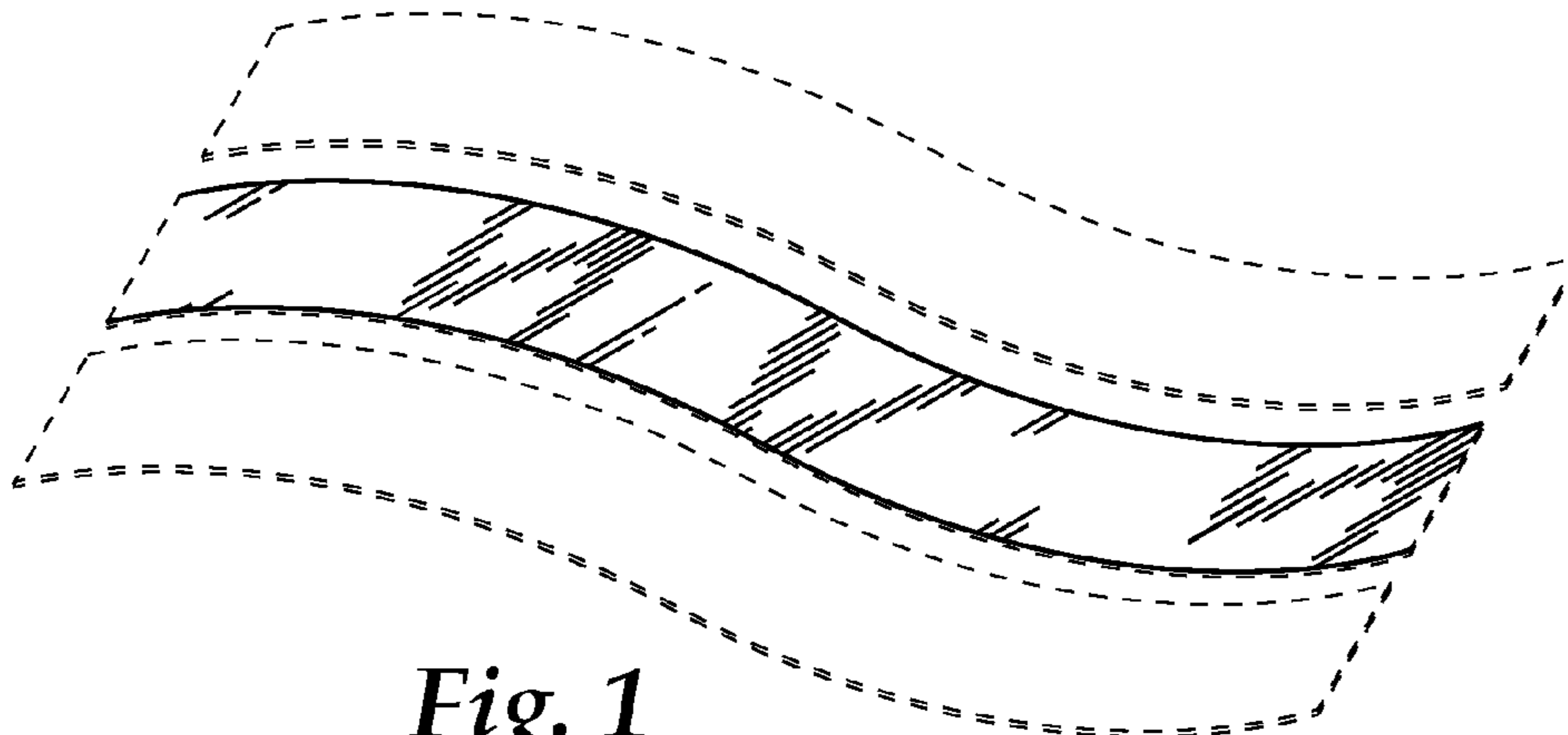
# US D594,663 S

Page 2

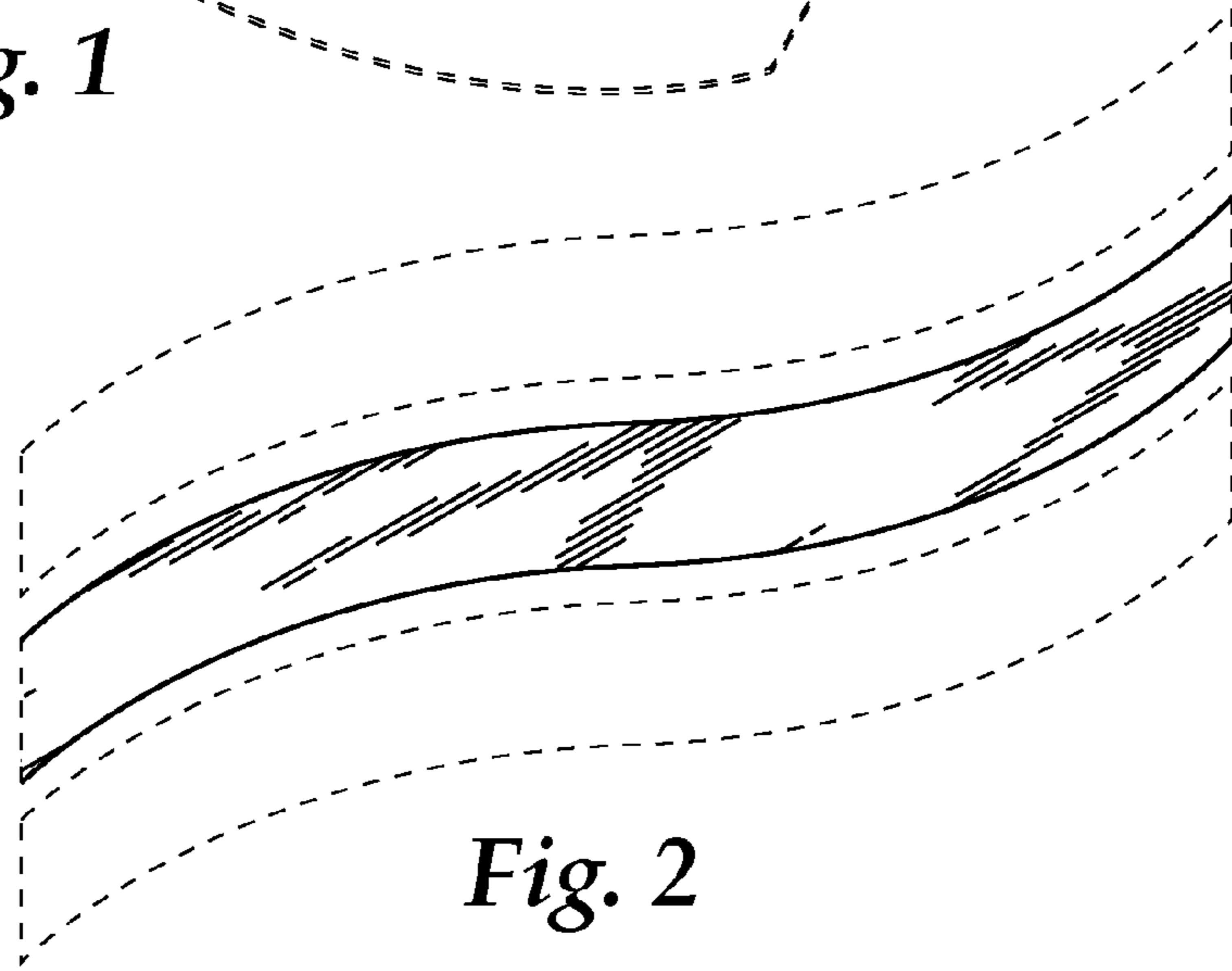
---

U.S. PATENT DOCUMENTS									
4,349,598	A *	9/1982	White .....	428/161	6,376,045	B1 *	4/2002	Wong et al. ....	428/143
4,407,233	A	10/1983	Bozzacco		D490,615	S	6/2004	Cheyne	
D276,282	S	11/1984	Burg		6,859,941	B2	3/2005	Koppes	
D280,860	S	10/1985	Monferrato		6,931,665	B2	8/2005	Feduzi et al.	
4,656,072	A	4/1987	Coburn, Jr. et al.		6,958,179	B2	10/2005	Carlson et al.	
5,138,488	A *	8/1992	Szczech .....	359/529	6,974,610	B1	12/2005	Koppes	
5,485,311	A *	1/1996	McAllister .....	359/530	7,107,622	B2	9/2006	Feduzi et al.	
D387,188	S	12/1997	Varao		D539,041	S	3/2007	Berryman	
5,882,771	A	3/1999	Klein et al.		7,252,870	B2	8/2007	Anderson et al.	
D428,366	S	7/2000	Schmidt		2007/0184214	A1	8/2007	Boyd et al.	
D444,953	S *	7/2001	Marecki et al. ....	D5/99	2008/0026193	A1 *	1/2008	Koppes et al. ....	428/207
D446,946	S *	8/2001	Shusta et al. ....	D5/99					

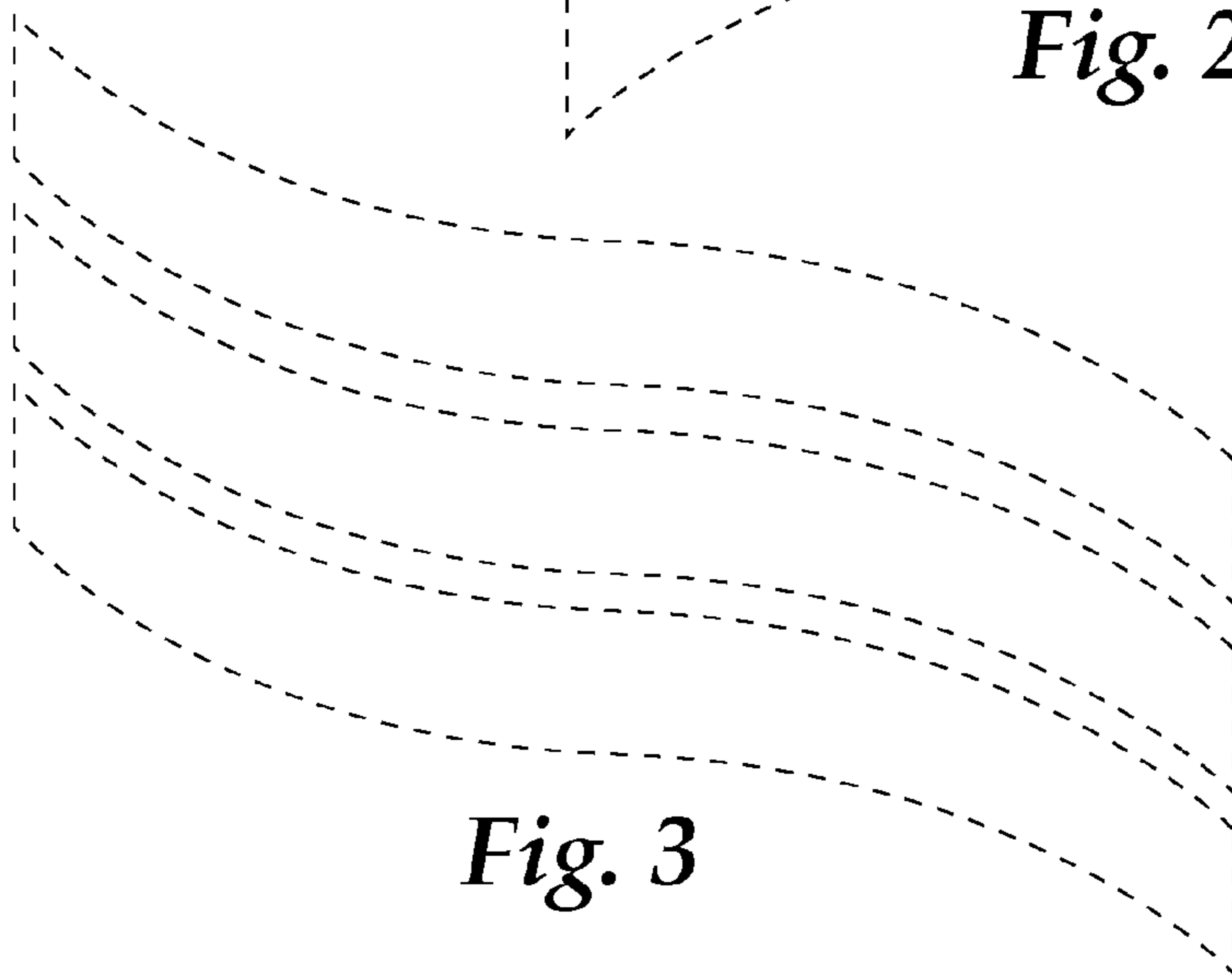
\* cited by examiner



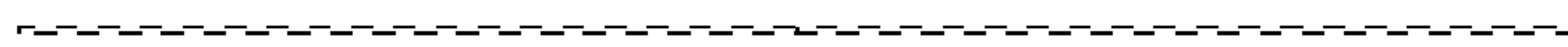
*Fig. 1*



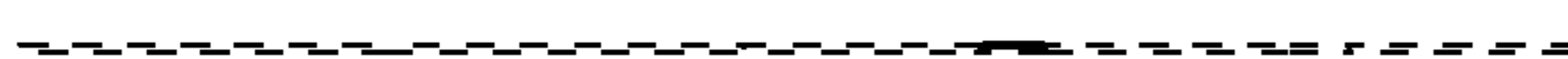
*Fig. 2*



*Fig. 3*



*Fig. 4*



*Fig. 5*

UNITED STATES PATENT AND TRADEMARK OFFICE  
**CERTIFICATE OF CORRECTION**

PATENT NO. : Des. 594,663 S  
APPLICATION NO. : 29/248187  
DATED : June 23, 2009  
INVENTOR(S) : John L. Vandenberg

Page 1 of 1

It is certified that error appears in the above-identified patent and that said Letters Patent is hereby corrected as shown below:

Cover Page

Column 1(Description),

Below "DESCRIPTION" insert -- The retroreflective article can be applied to a variety of surfaces and materials that are desired to have a retroreflective appearance. The retroreflective article has a retroreflective top surface. The term "retroreflective article" refers to an article that reflects substantial quantities of incident light — which light otherwise would be reflected elsewhere — back towards the light source. --.

Signed and Sealed this

Eighteenth Day of August, 2009



David J. Kappos  
*Director of the United States Patent and Trademark Office*