

US00D594662S

(12) **United States Design Patent**
Chu et al.

(10) **Patent No.:** **US D594,662 S**
(45) **Date of Patent:** **** Jun. 23, 2009**

(54) **BRIEFCASE**

(75) Inventors: **David Ching Chi Chu**, New York, NY (US); **Michael Stefan Leoniak**, Rochester, MN (US)

(73) Assignee: **Tumi, Inc.**, South Plainfield, NJ (US)

(**) Term: **14 Years**

(21) Appl. No.: **29/303,293**

(22) Filed: **Feb. 5, 2008**

(51) **LOC (9) Cl.** **03-01**

(52) **U.S. Cl.** **D3/321**

(58) **Field of Classification Search** D3/321, D3/322, 276, 277, 278, 279, 283, 284, 285, D3/286, 318, 902; 190/18 A, 100, 103, 109, 190/110, 111, 112, 115, 119, 120, 122, 124
See application file for complete search history.

(56) **References Cited**

U.S. PATENT DOCUMENTS

D279,525 S *	7/1985	Allen	D3/287
D292,747 S *	11/1987	Allen	D3/287
5,105,919 A *	4/1992	Bomes et al.	190/18 A
D328,391 S *	8/1992	Pulichino et al.	D3/319
D329,329 S *	9/1992	Bomes et al.	D3/279
D443,417 S *	6/2001	Hillman	D3/287
D445,252 S *	7/2001	Klamm	D3/289
D469,252 S *	1/2003	Su	D3/289
D477,142 S *	7/2003	Dancyger	D3/274
D492,115 S *	6/2004	Bertelsen et al.	D3/318
7,048,101 B2 *	5/2006	Godshaw et al.	190/18 A

7,150,345 B2 *	12/2006	Redzisz	190/111
7,314,126 B2 *	1/2008	Godshaw et al.	190/18 A
2007/0193902 A1 *	8/2007	Myers et al.	206/320

OTHER PUBLICATIONS

Tumi "design in motion" product catalog from 1999.
First Tumi product catalog from 2001.
Second Tumi product catalog from 2001.
Tumi Business Collections product brochure (1999-2001).
Tumi Travel Collections product brochure (1999-2001).

* cited by examiner

Primary Examiner—Holly H Baynham

Assistant Examiner—Sheryl Lane

(74) *Attorney, Agent, or Firm*—Baker Botts L.L.P.

(57) **CLAIM**

The ornamental design for a briefcase, as shown and described.

DESCRIPTION

FIG. 1 is a perspective view of a first embodiment of the briefcase.

FIG. 2 is a front view of the embodiment of FIG. 1.

FIG. 3 is a rear view of the embodiment of FIG. 1.

FIG. 4 is a right side view of the embodiment of FIG. 1.

FIG. 5 is a left side view of the embodiment of FIG. 1.

FIG. 6 is a top view of the embodiment of FIG. 1; and,

FIG. 7 is a bottom view of the embodiment of FIG. 1.

The broken lines are provided for illustrative purposes only and form no part of the claimed design.

1 Claim, 7 Drawing Sheets





FIG. 1

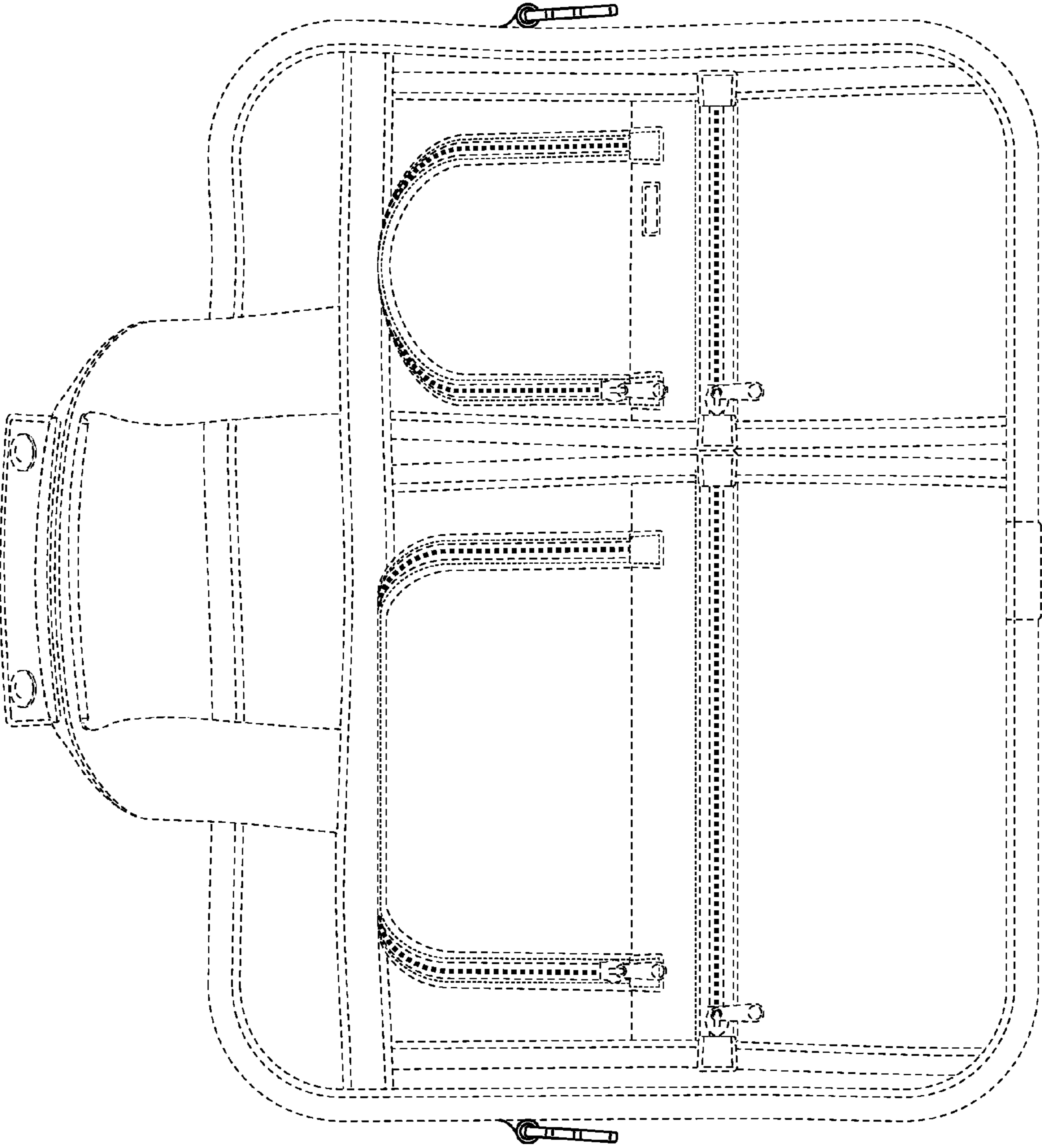


FIG. 2

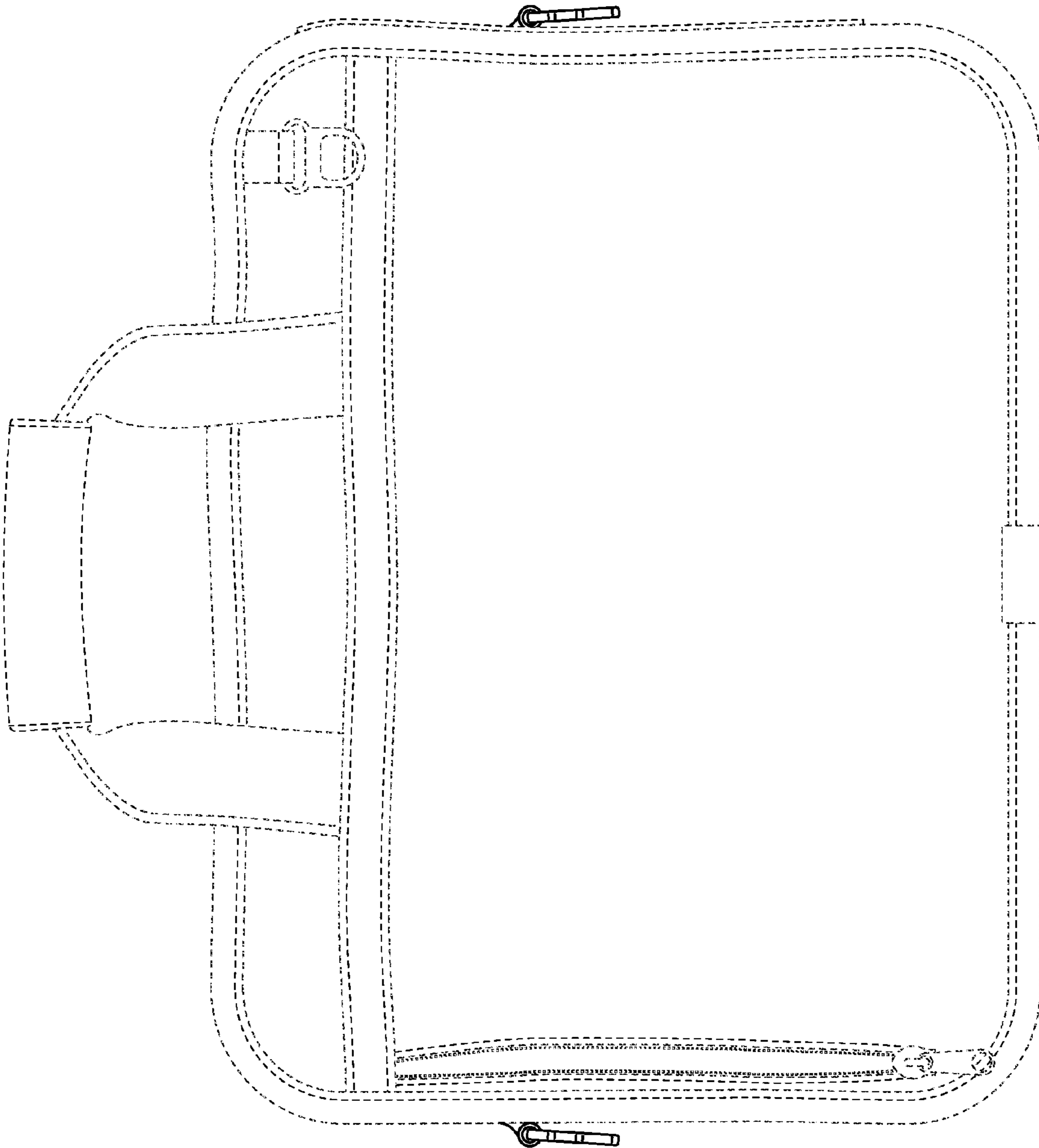


FIG. 3

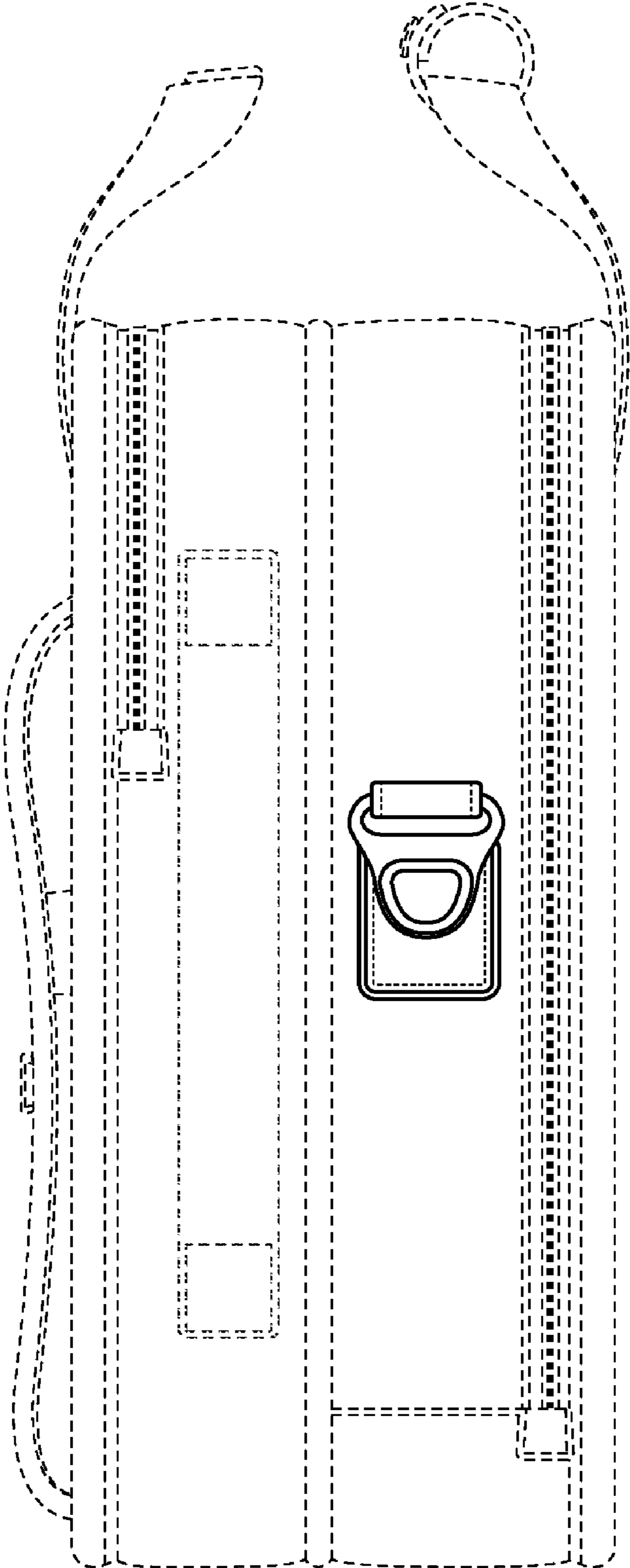


FIG. 4

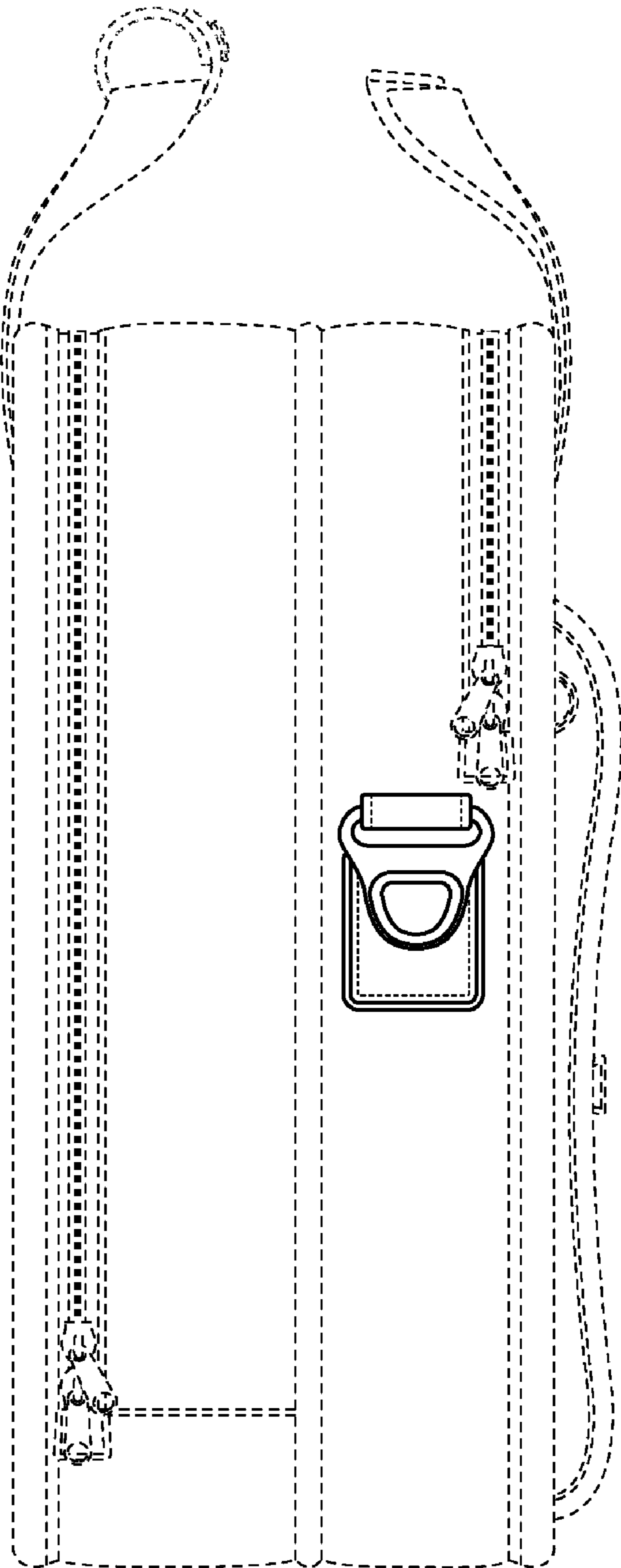


FIG. 5

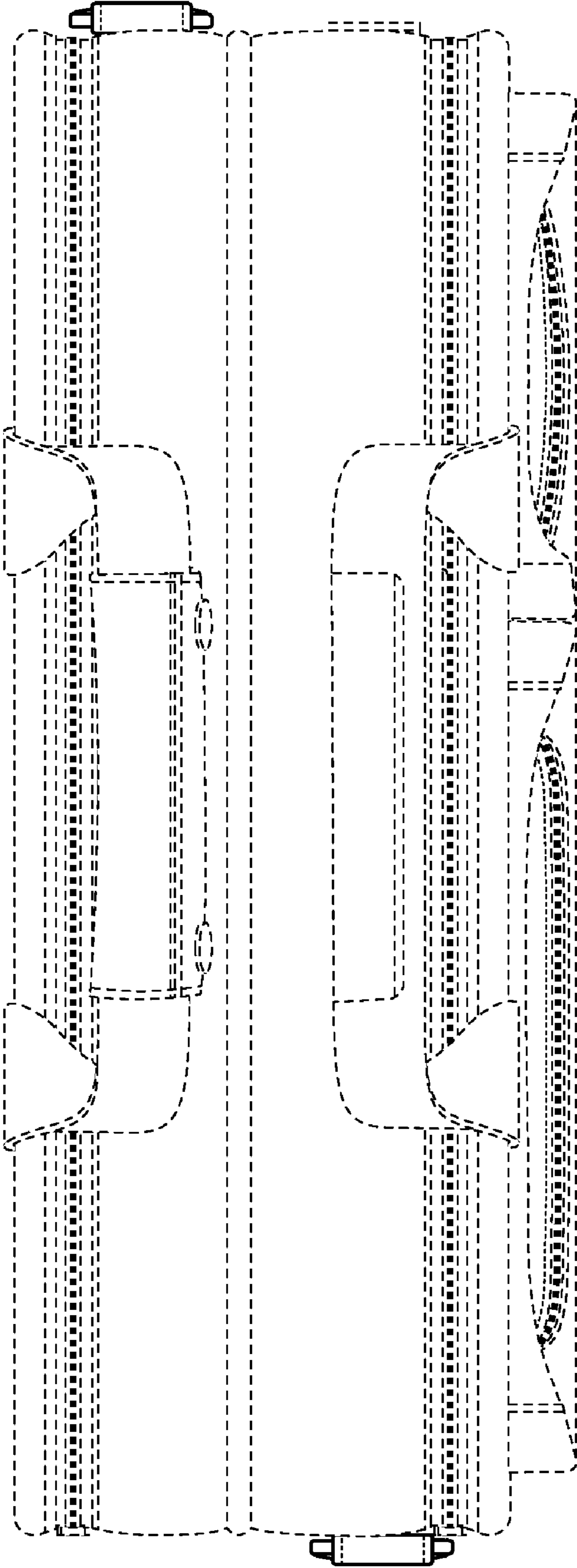


FIG. 6

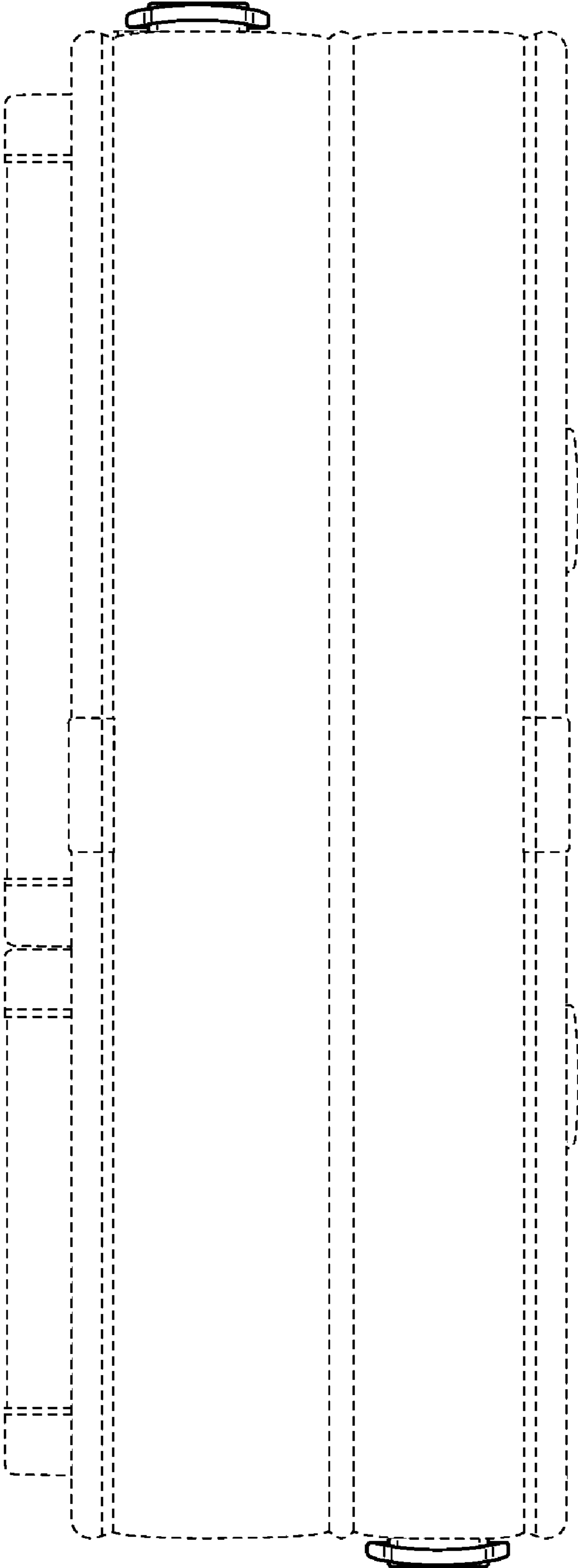


FIG. 7