



US00D594658S

(12) **United States Design Patent**
McAllister

(10) **Patent No.:** **US D594,658 S**

(45) **Date of Patent:** **** Jun. 23, 2009**

(54) **STORAGE CASE**

(75) Inventor: **Michael W. McAllister**, Providence, RI (US)

(73) Assignee: **IRA Green, Inc.**, Providence, RI (US)

(**) Term: **14 Years**

(21) Appl. No.: **29/304,469**

(22) Filed: **Mar. 3, 2008**

(51) **LOC (9) Cl.** **03-01**

(52) **U.S. Cl.** **D3/295**

(58) **Field of Classification Search** D3/201, D3/203.1, 203.5–203.8, 205–206, 294–295, D3/302; D9/420, 423, 432, 466–467, 470, D9/669, 721; D99/34; 206/6.1, 0.8, 0.81
See application file for complete search history.

(56) **References Cited**

U.S. PATENT DOCUMENTS

D46,119	S *	7/1914	Depollier	D9/721
D46,120	S *	7/1914	Depollier	D9/721
D49,954	S *	11/1916	Depollier	D9/721
D49,955	S *	11/1916	Depollier	D9/721
D159,964	S *	9/1950	Du Bois et al.	D9/420
D243,125	S *	1/1977	Schnitzer	D99/34
D247,829	S *	5/1978	Schnitzer	D3/295
D286,938	S *	11/1986	Povitz	D99/34
5,353,921	A *	10/1994	Tyra	206/6.1
D431,107	S *	9/2000	Palazzo	D3/271.5
2003/0230888	A1 *	12/2003	Grummich	281/29
2008/0023343	A1 *	1/2008	Macor	206/81
2008/0023344	A1 *	1/2008	Macor	206/81
2008/0230402	A1 *	9/2008	Macor	206/81

OTHER PUBLICATIONS

Downloaded Nov. 18, 2008 at <http://images.google.com/imgres?imgurl=http://www.gracoind.com/images/...sentation...>*

* cited by examiner

Primary Examiner—Philip S Hyder
Assistant Examiner—Roselyne Cody

(74) *Attorney, Agent, or Firm*—Barlow, Josephs & Holmes, Ltd.

(57) **CLAIM**

The ornamental design for a storage case, as shown and described.

DESCRIPTION

FIG. 1 is a perspective view of a storage case showing my new design in an open condition;

FIG. 2 is a front view thereof; the rear view being a mirror image thereof;

FIG. 3 is a left side view thereof;

FIG. 4 is a right side view thereof;

FIG. 5 is a top view thereof;

FIG. 6 is a bottom view thereof;

FIG. 7 is a front perspective view of the storage case of FIG. 1 with a medal and pin installed in the storage case; the medal and pin are shown in broken lines, which form no part of the present invention;

FIG. 8 is a front perspective view of the storage case of FIG. 1 in a closed condition;

FIG. 9 is a front view thereof; the rear view being a mirror image thereof;

FIG. 10 is a left side view thereof;

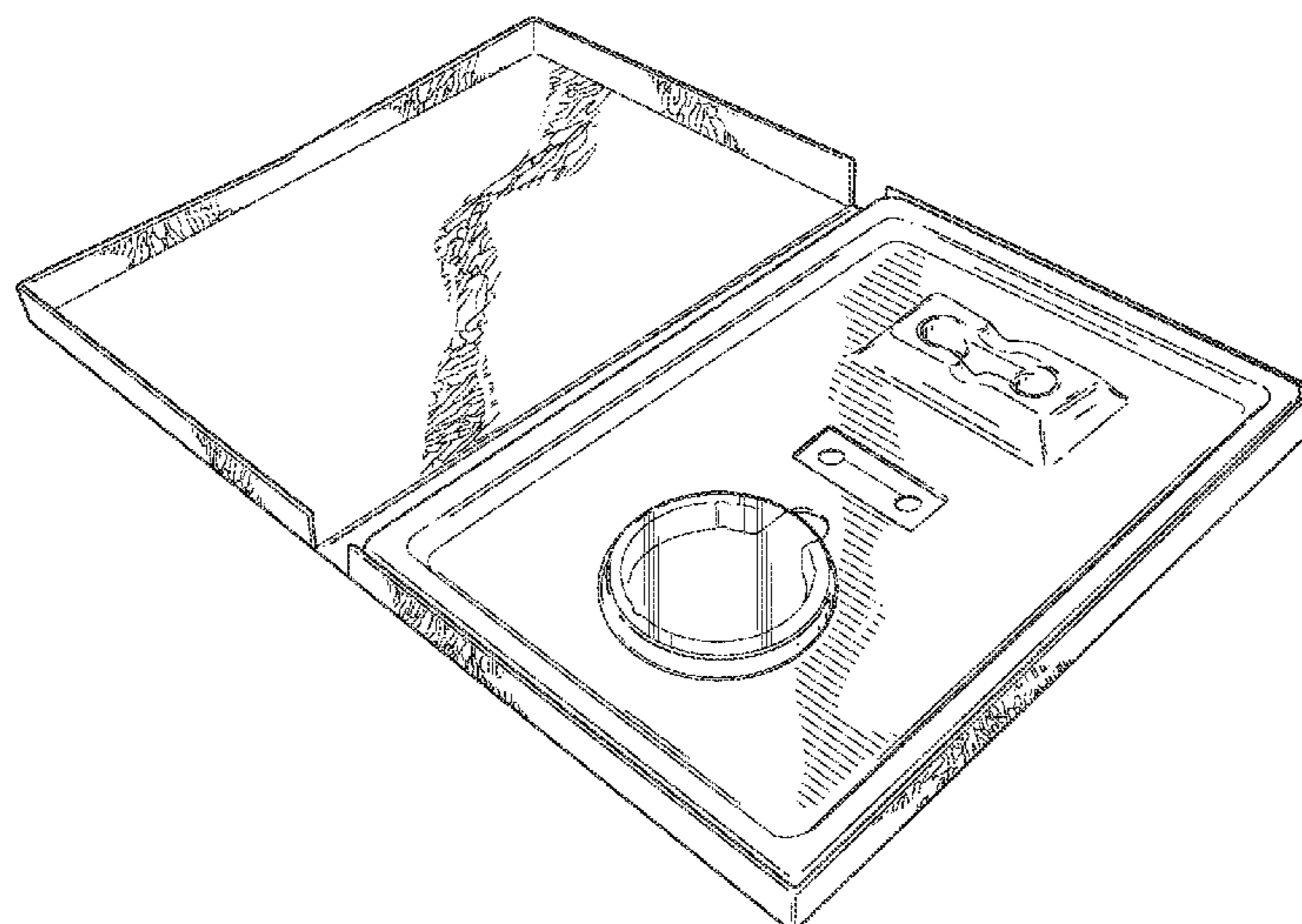
FIG. 11 is a right side view thereof;

FIG. 12 is a top view thereof; and,

FIG. 13 is a bottom view thereof.

The textural pattern on portions of the design is understood to cover the entirety of the surfaces on which it is shown. The broken lines in FIG. 7 are illustrative of environment and form no part of the claimed design.

1 Claim, 8 Drawing Sheets



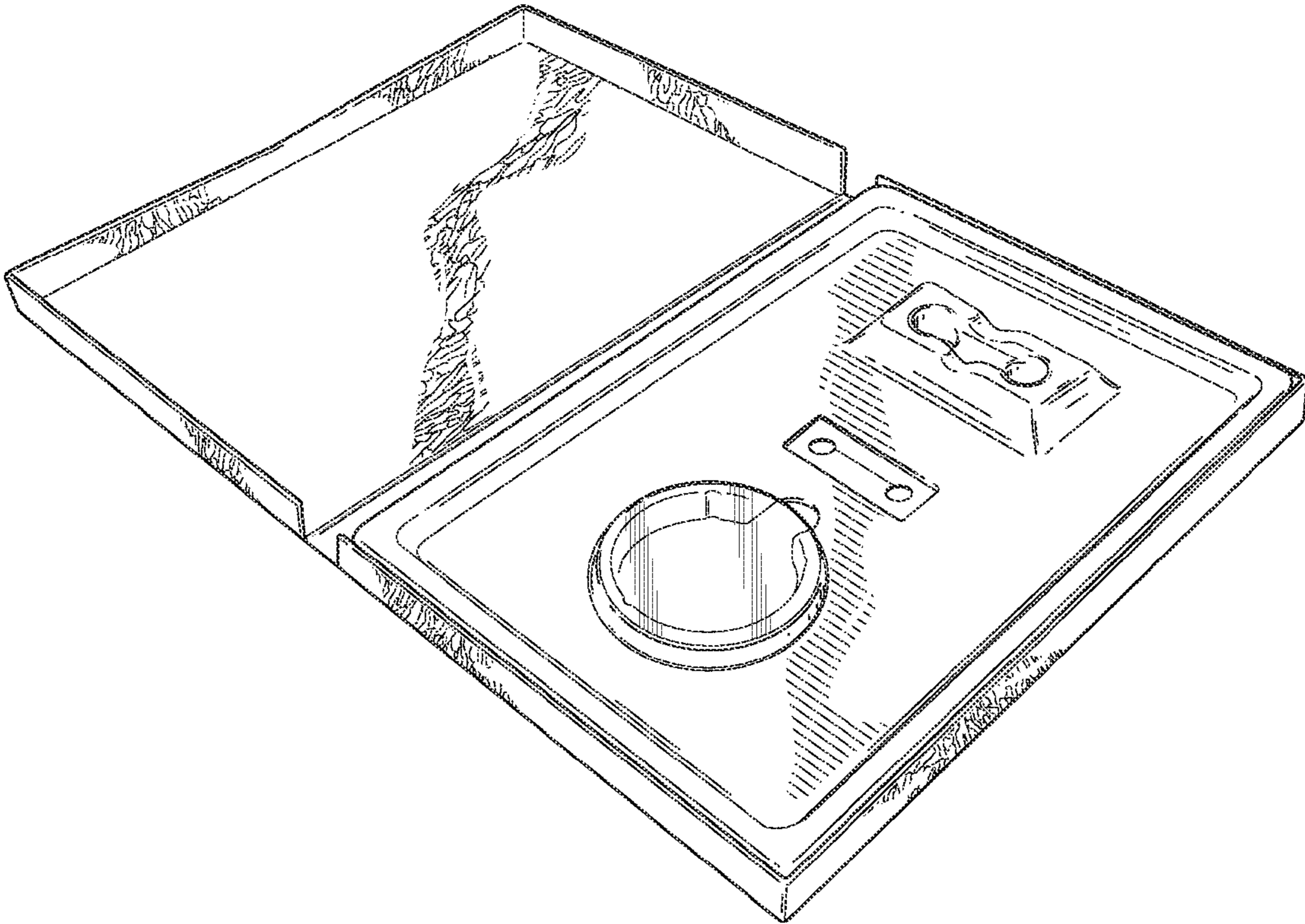


FIG. 1

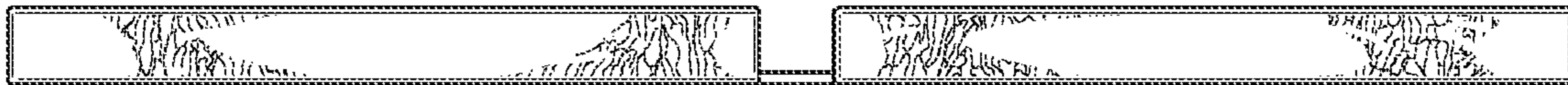


FIG. 2

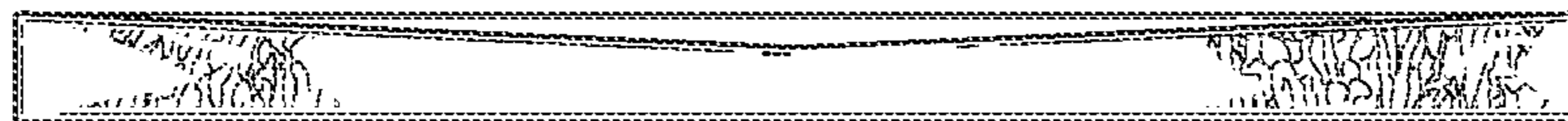


FIG. 3



FIG. 4

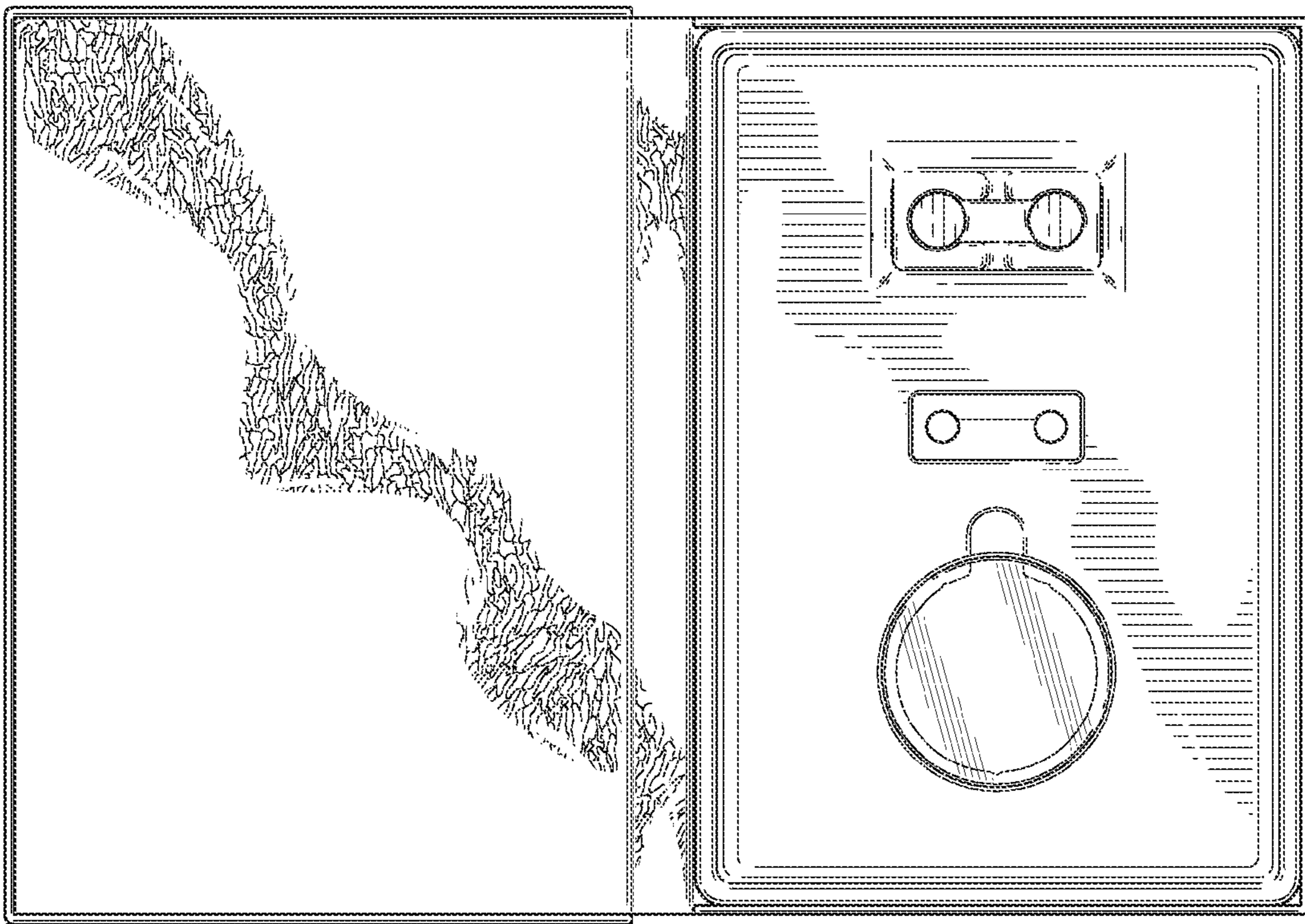


FIG. 5

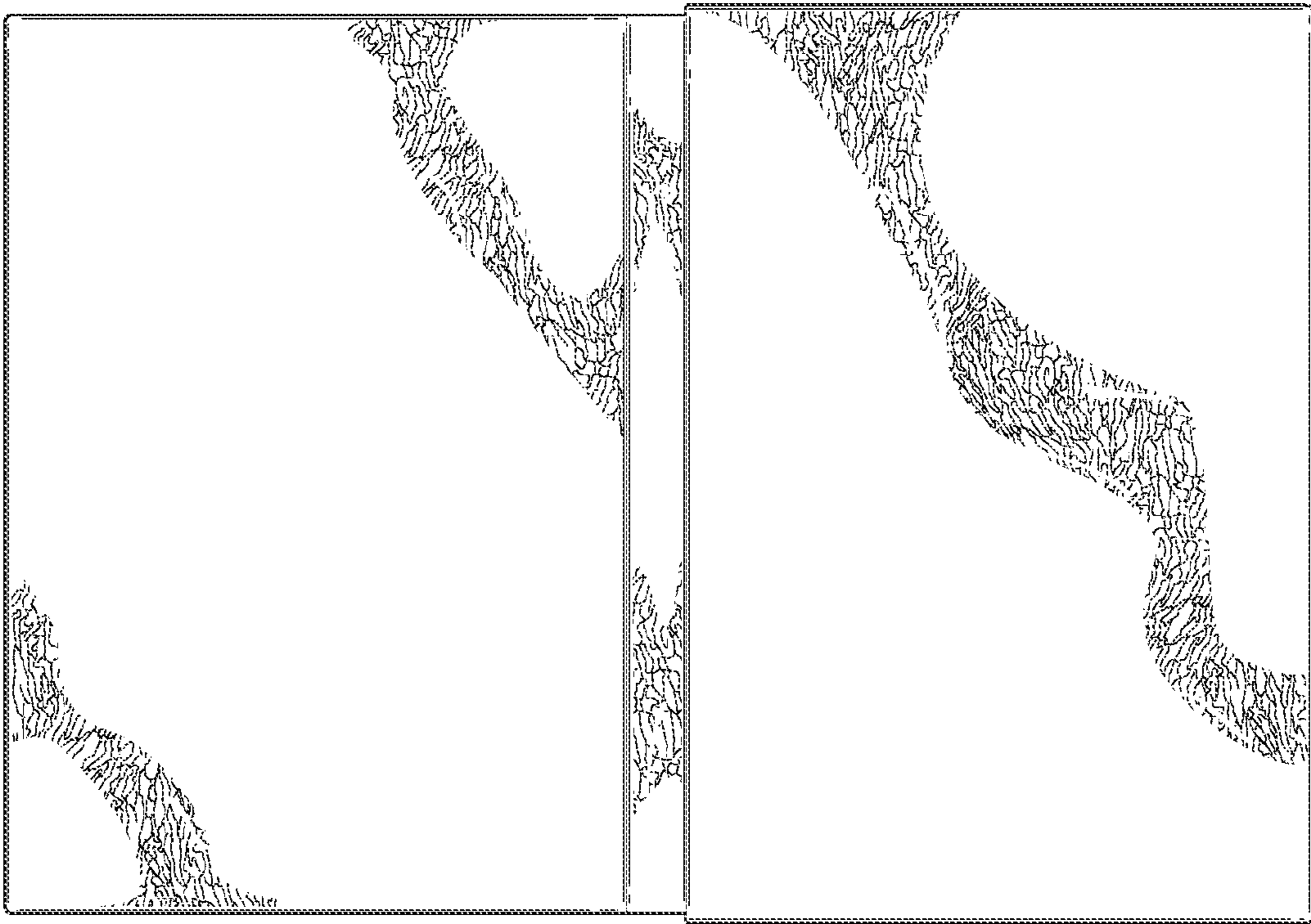


FIG. 6

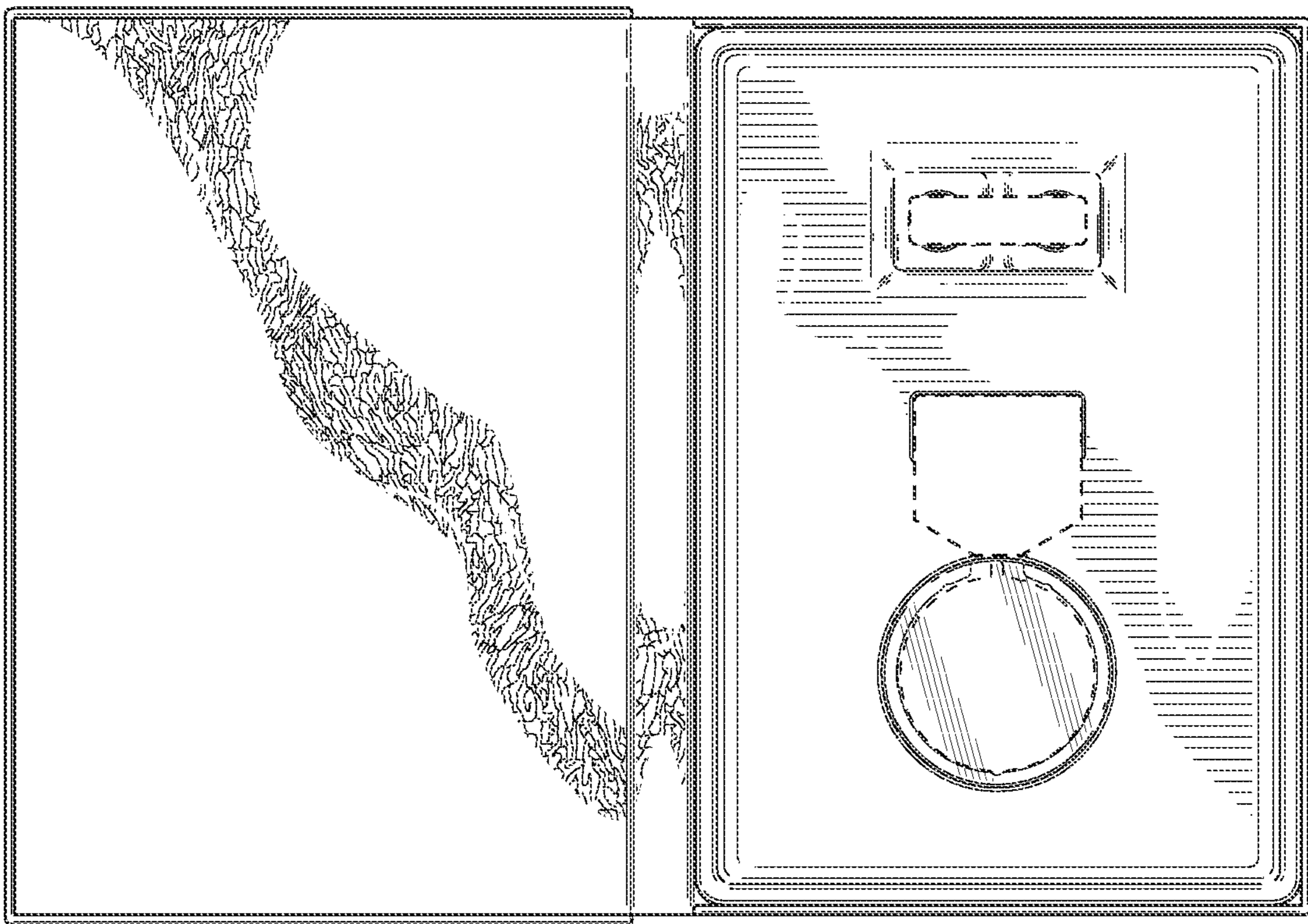


FIG. 7

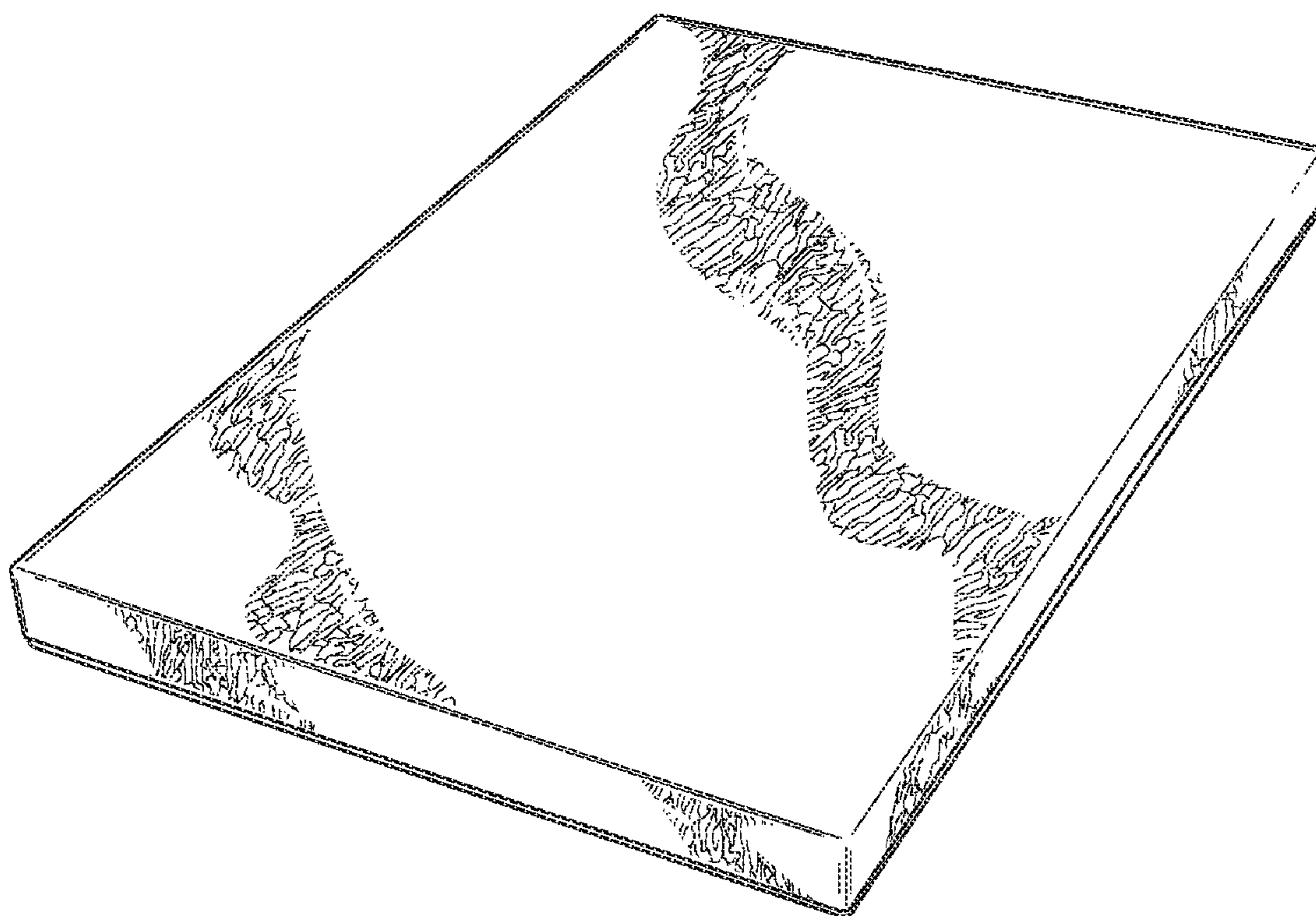


FIG. 8



FIG. 9



FIG. 10

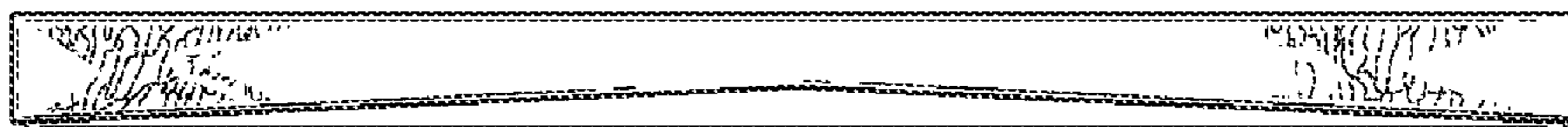


FIG. 11

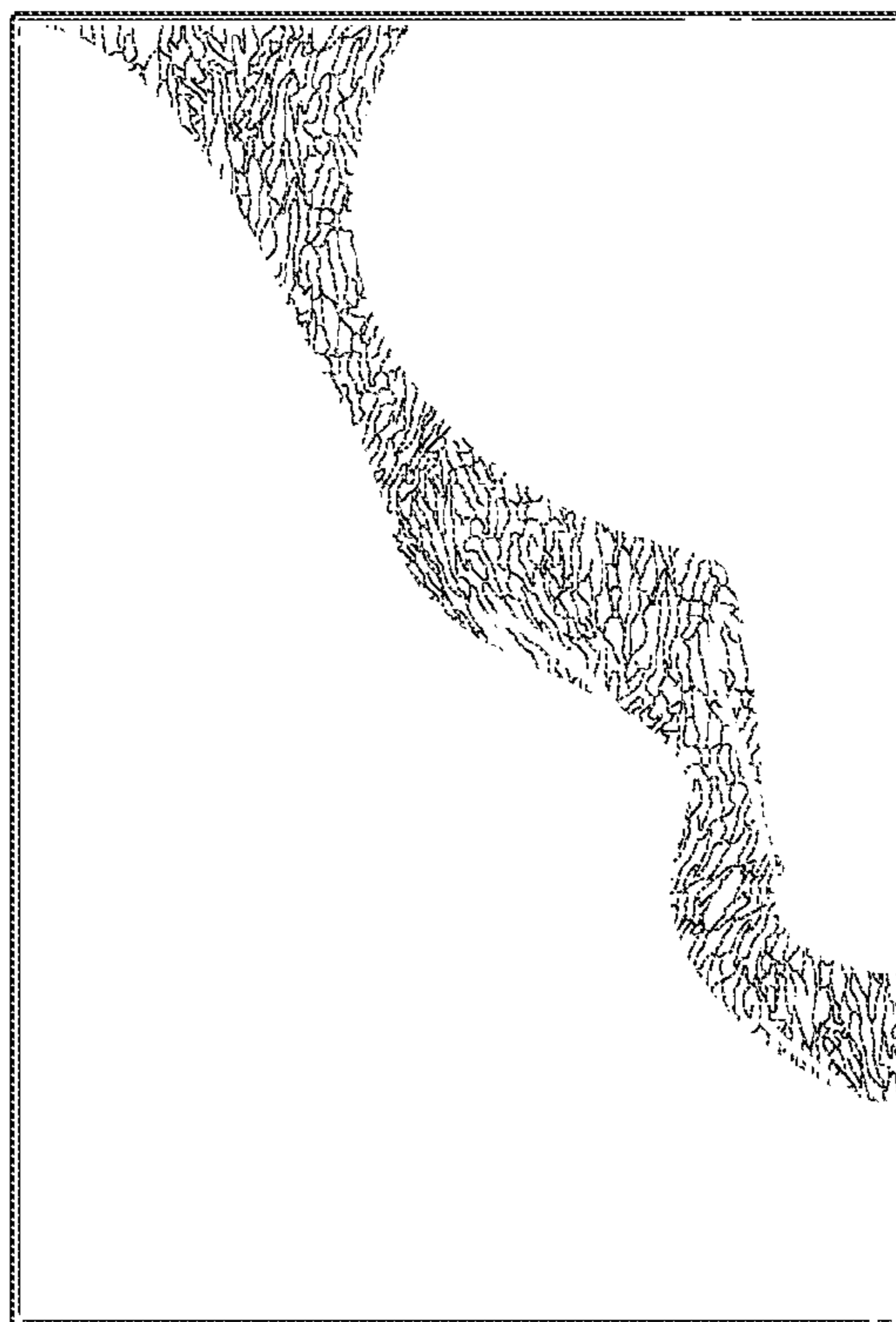


FIG. 12

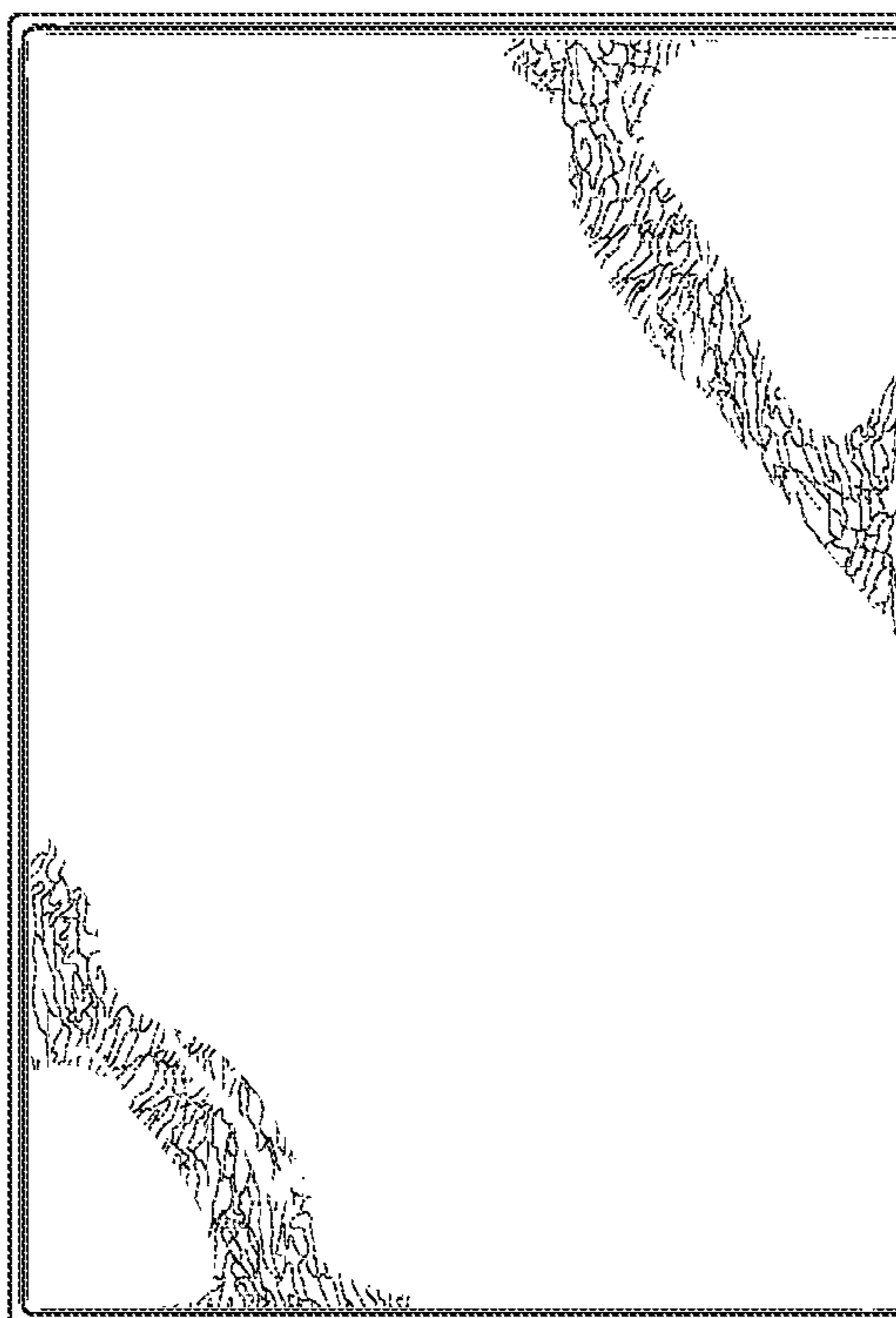


FIG. 13